



US00D394495S

United States Patent [19] Hauser, II

[11] Patent Number: **Des. 394,495**
[45] Date of Patent: ****May 19, 1998**

[54] COMBINATION LAVATORY AND TOILET

[75] Inventor: **Jon W. Hauser, II**, Geneva, Ill.

[73] Assignee: **Bradley Corporation**, Menomonee Falls, Wis.

[**] Term: **14 Years**

[21] Appl. No.: **64,126**

[22] Filed: **Dec. 23, 1996**

[51] LOC (6) Cl. **23-02**

[52] U.S. Cl. **D23/284; D23/295**

[58] Field of Search **D23/274, 298, D23/295, 299, 300, 301; 4/353, 421, 424, 430, 350, 664, DIG. 2, 663, 312**

[56] References Cited

U.S. PATENT DOCUMENTS

D. 265,235	6/1982	Keller	D23/274
D. 266,185	9/1982	Adamcik	D23/274
D. 266,268	9/1982	Adamcik	D23/274
D. 331,621	12/1992	Tapolcai	D23/274
3,987,502	10/1976	Hartmann .	
4,512,241	4/1985	Morris et al. .	
4,653,128	3/1987	Canalizo	4/663
4,944,047	7/1990	Gagliano	4/312
5,400,443	3/1995	Marino	4/300

OTHER PUBLICATIONS

Catalog: *Security Fixtures Portfolio 1992*; Bradley Corporation.

Primary Examiner—Louis S. Zarfes

Assistant Examiner—Eric Watterson

Attorney, Agent, or Firm—Foley & Lardner

[57] CLAIM

The ornamental design for a combination lavatory and toilet, as shown and described.

DESCRIPTION

FIG. 1 is a perspective view of a combination lavatory and toilet showing my new design;

FIG. 2 is a front elevation view thereof;

FIG. 3 is a top plan view thereof;

FIG. 4 is a right-side elevation view thereof; the left-side elevation view is a mirror image of the right-side elevation view;

FIG. 5 is a perspective view of a second embodiment of the combination lavatory and toilet shown in FIG. 1; the top plan view is as shown in FIG. 3;

FIG. 6 is a front elevation view thereof;

FIG. 7 is a left-side elevation view thereof; the right-side elevation view is a mirror image of the left-side elevation view;

FIG. 8 is a perspective view of a third embodiment of the combination lavatory and toilet shown in FIG. 1;

FIG. 9 is a front elevation view thereof;

FIG. 10 is a top plan view thereof;

FIG. 11 is a left-side elevation view thereof;

FIG. 12 is a right-side elevation view thereof; and,

FIG. 13 is a top plan view of a fourth embodiment of the combination lavatory and toilet shown in FIG. 1; the front and side elevation views are mirror images of FIGS. 9, 11 and 12, respectively.

The broken line showings of the backsplash controls, soap insets, toilet paper roll holder, lavatory drain and waste pipe are for illustrative purposes only and form no part of the claimed design.

1 Claim, 7 Drawing Sheets

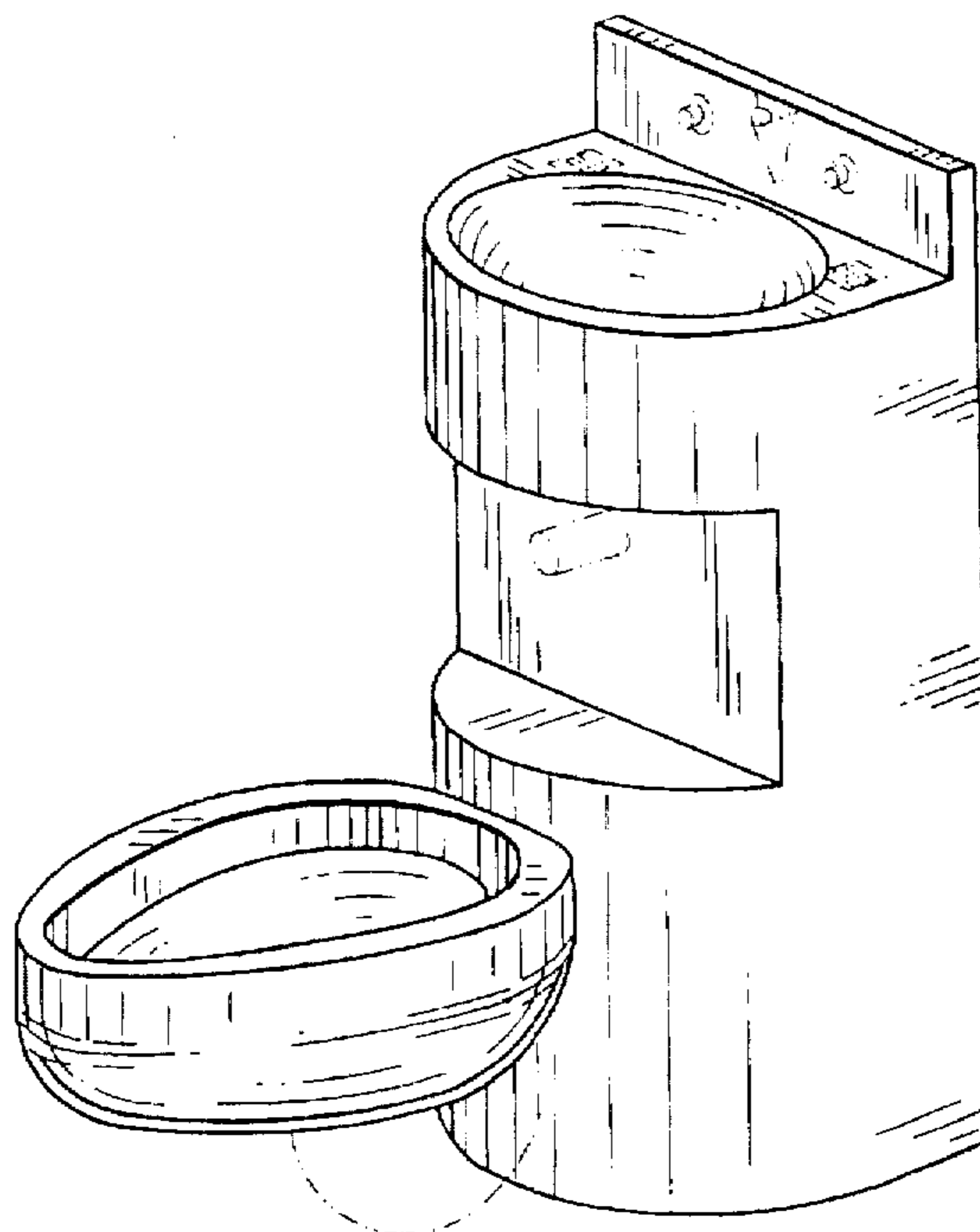


FIG. 1

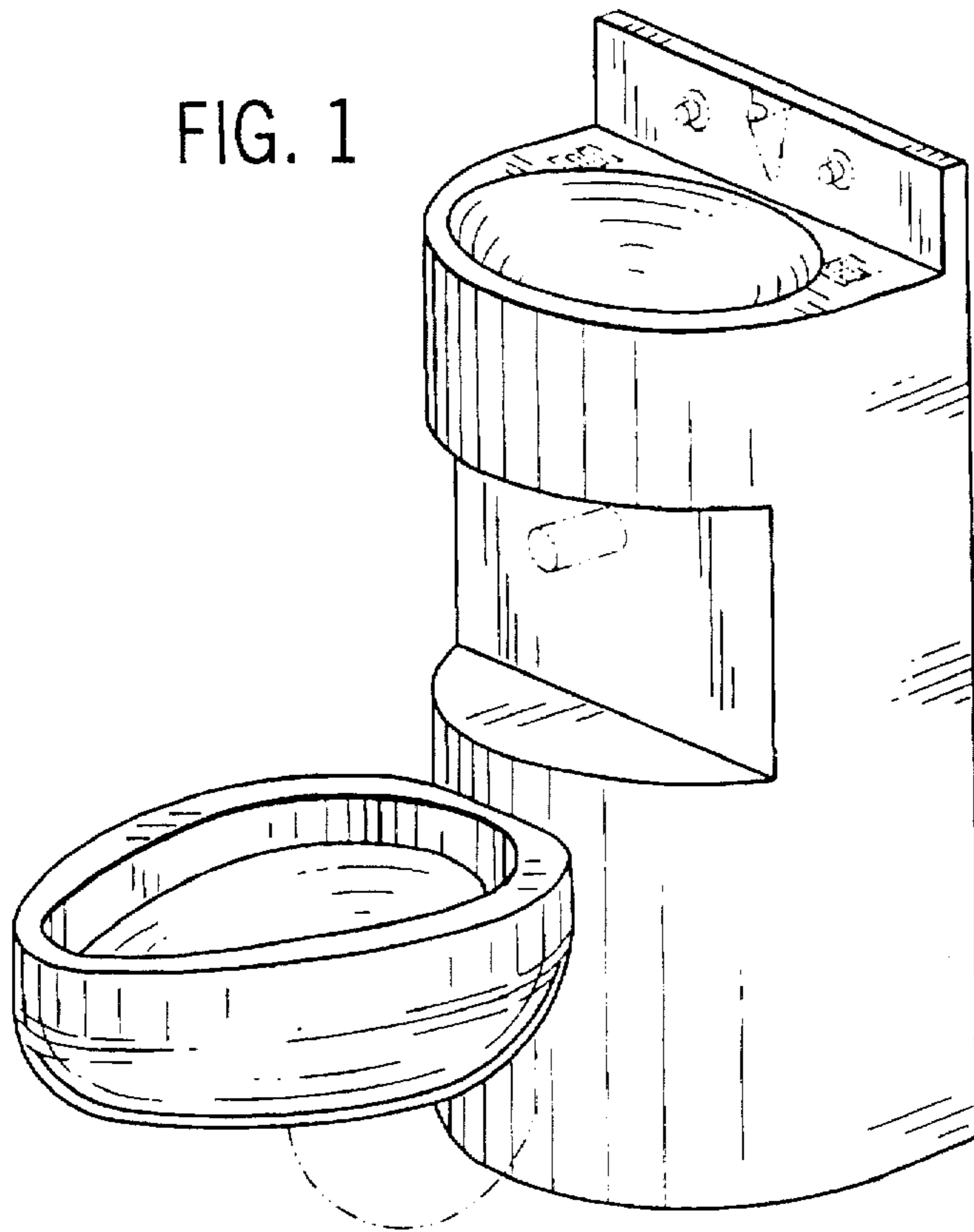


FIG. 2

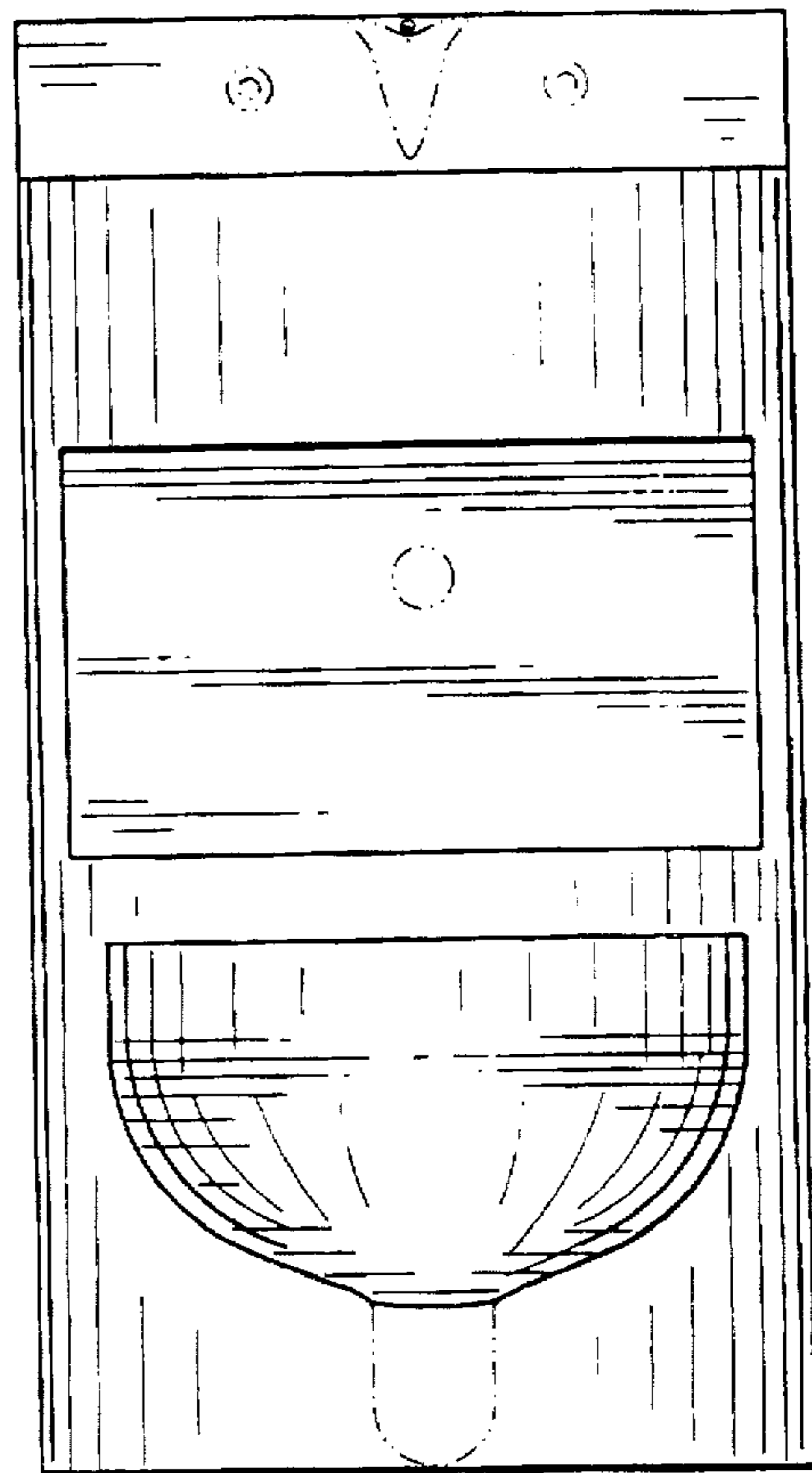


FIG. 3

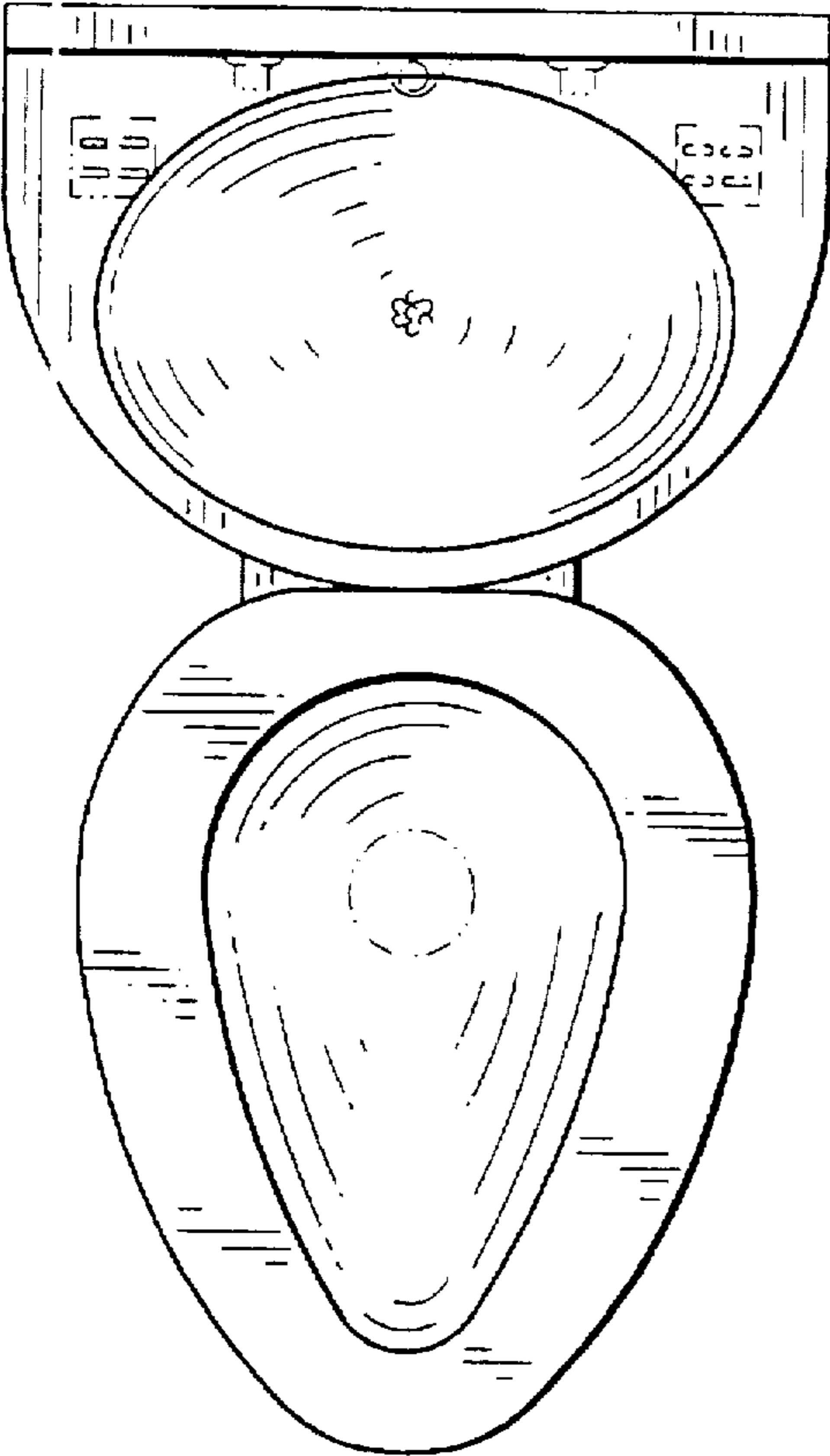


FIG. 4

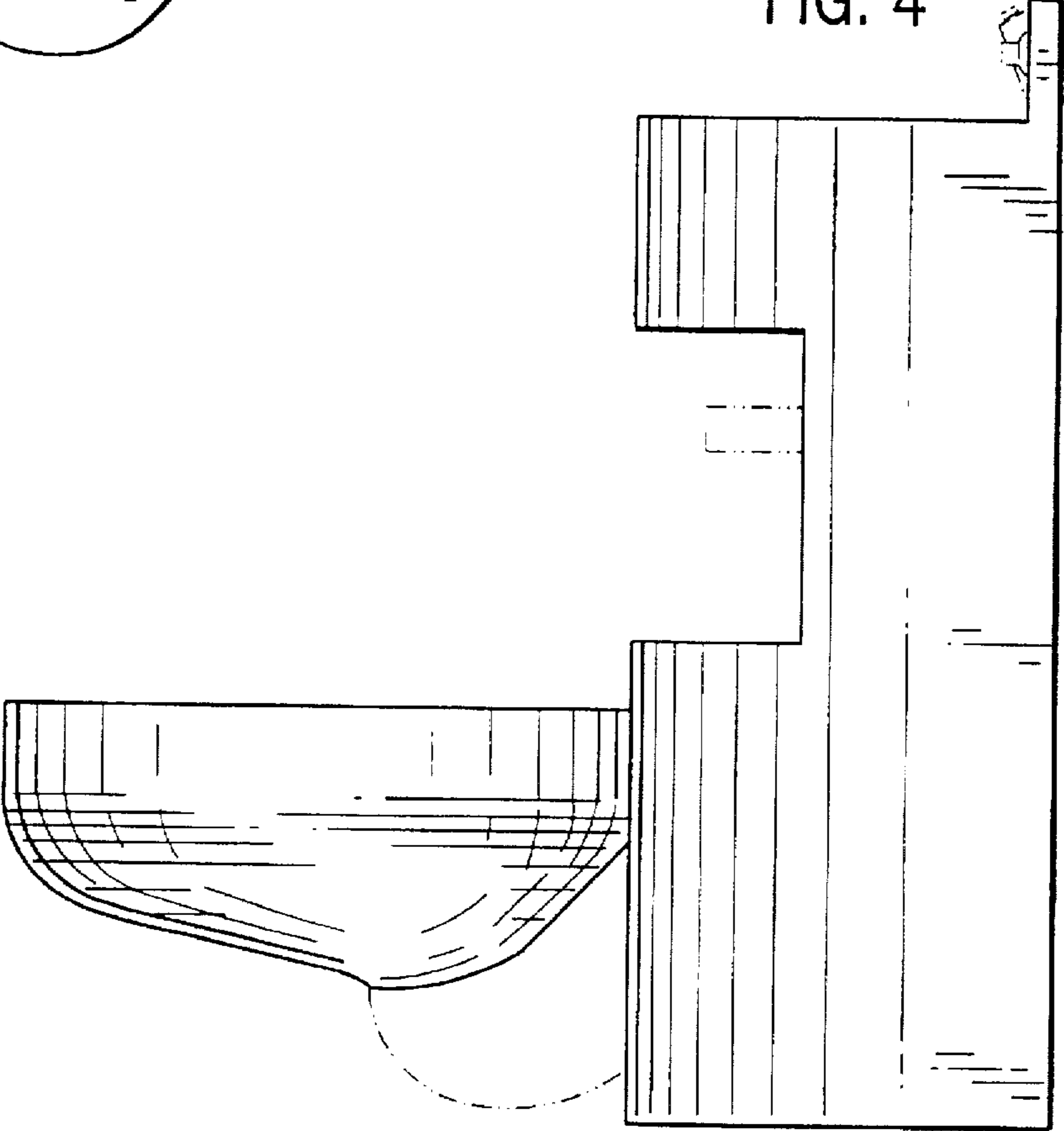


FIG. 5

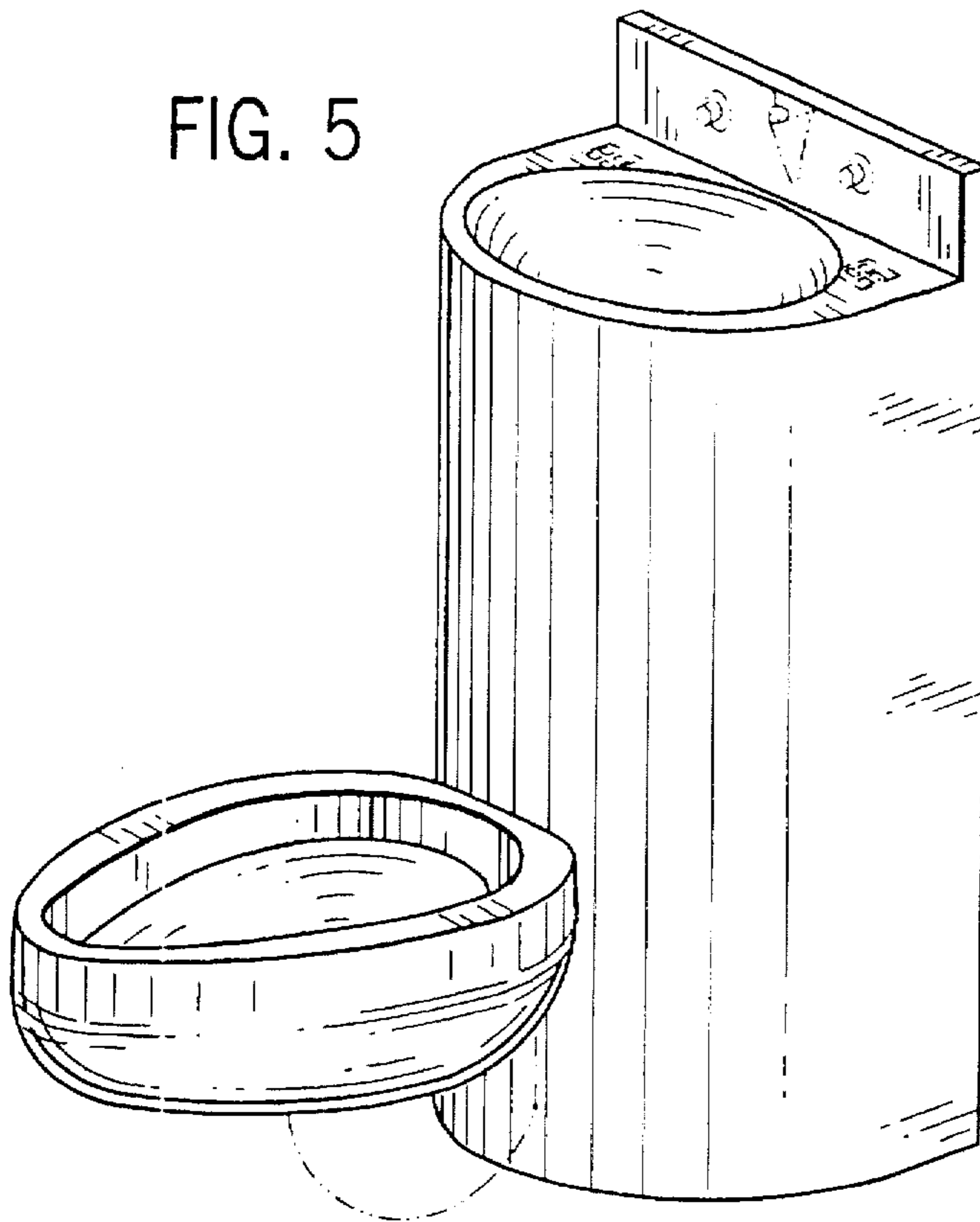


FIG. 6

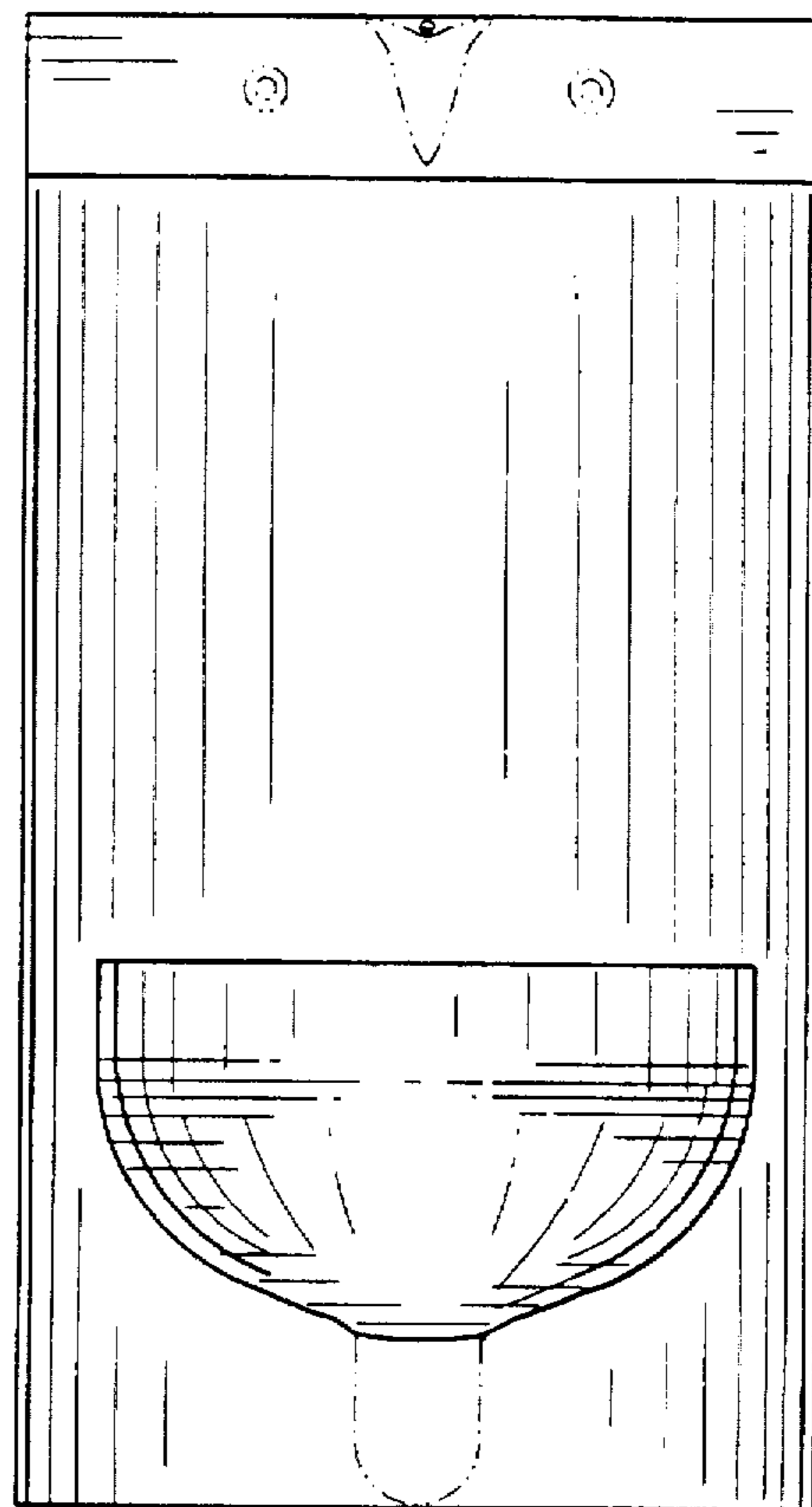


FIG. 7

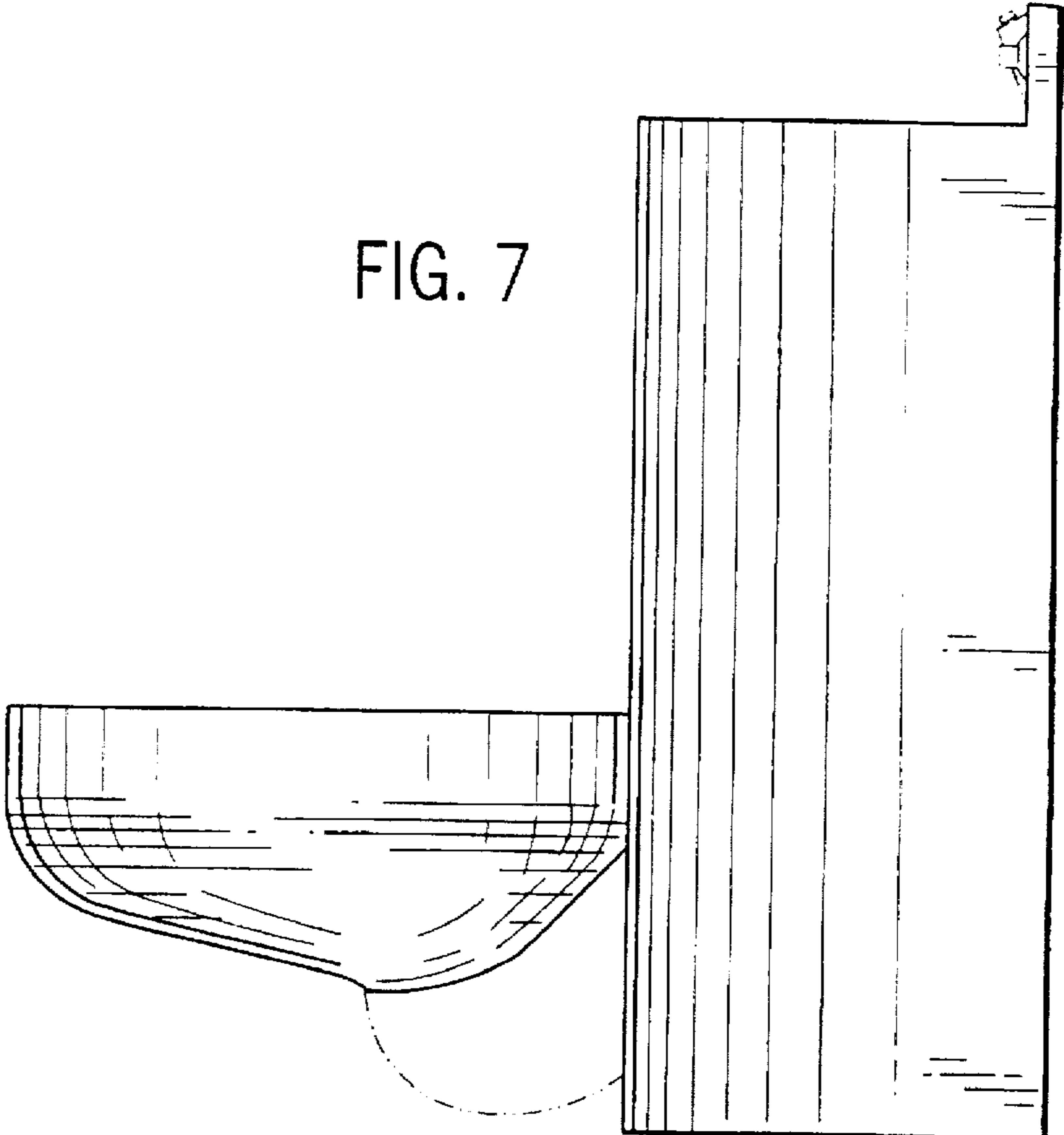


FIG. 8

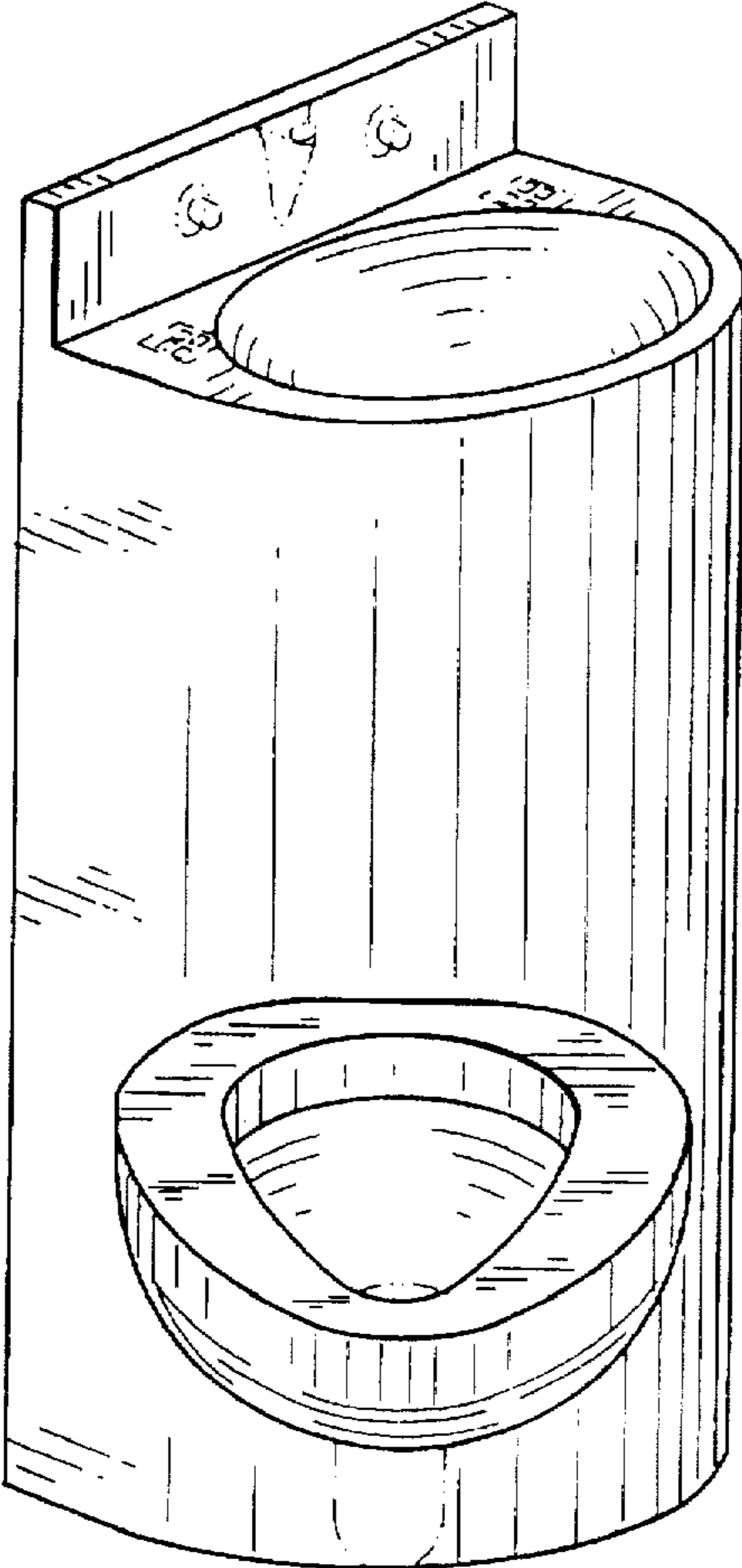


FIG. 9

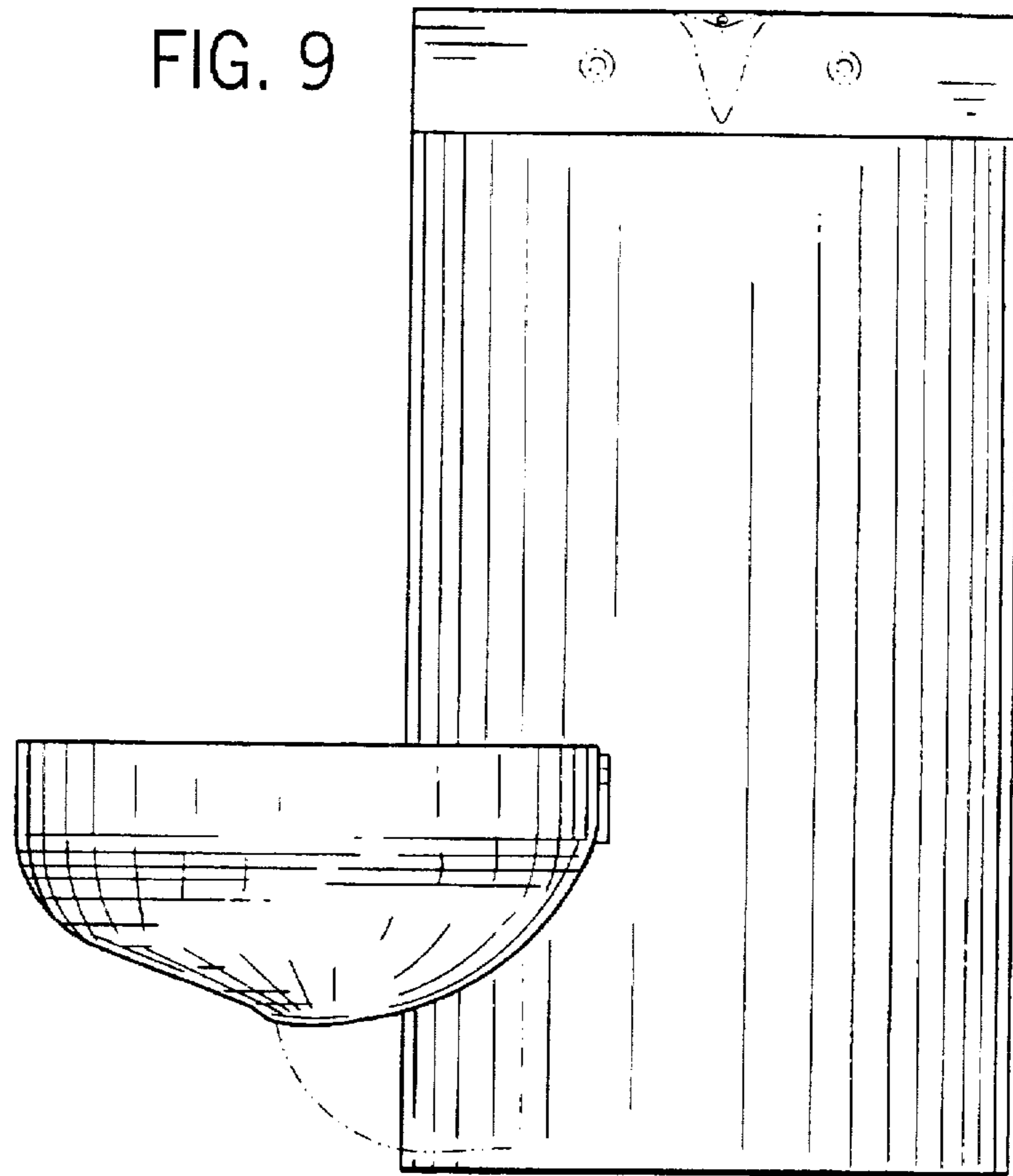


FIG. 10

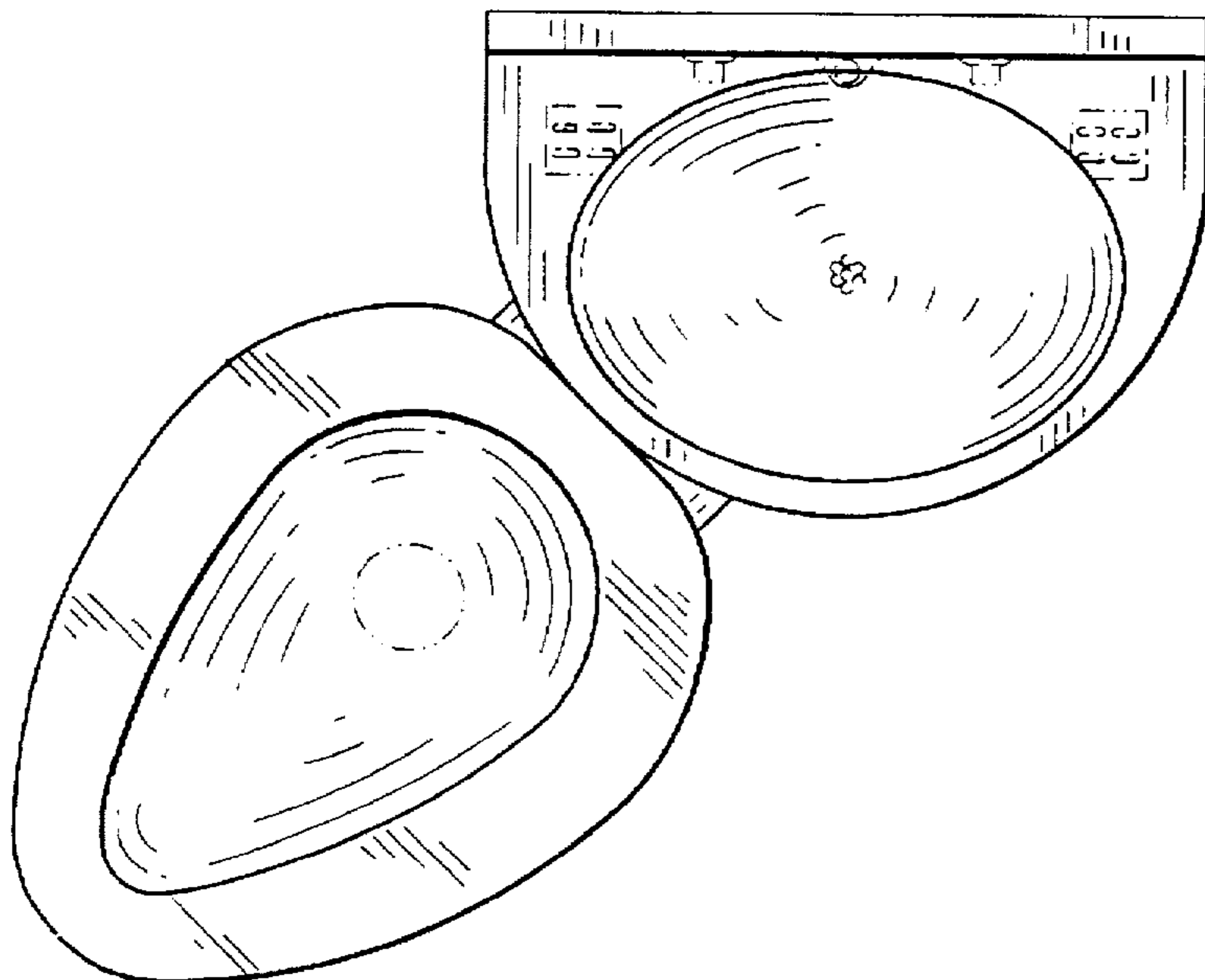


FIG. 11

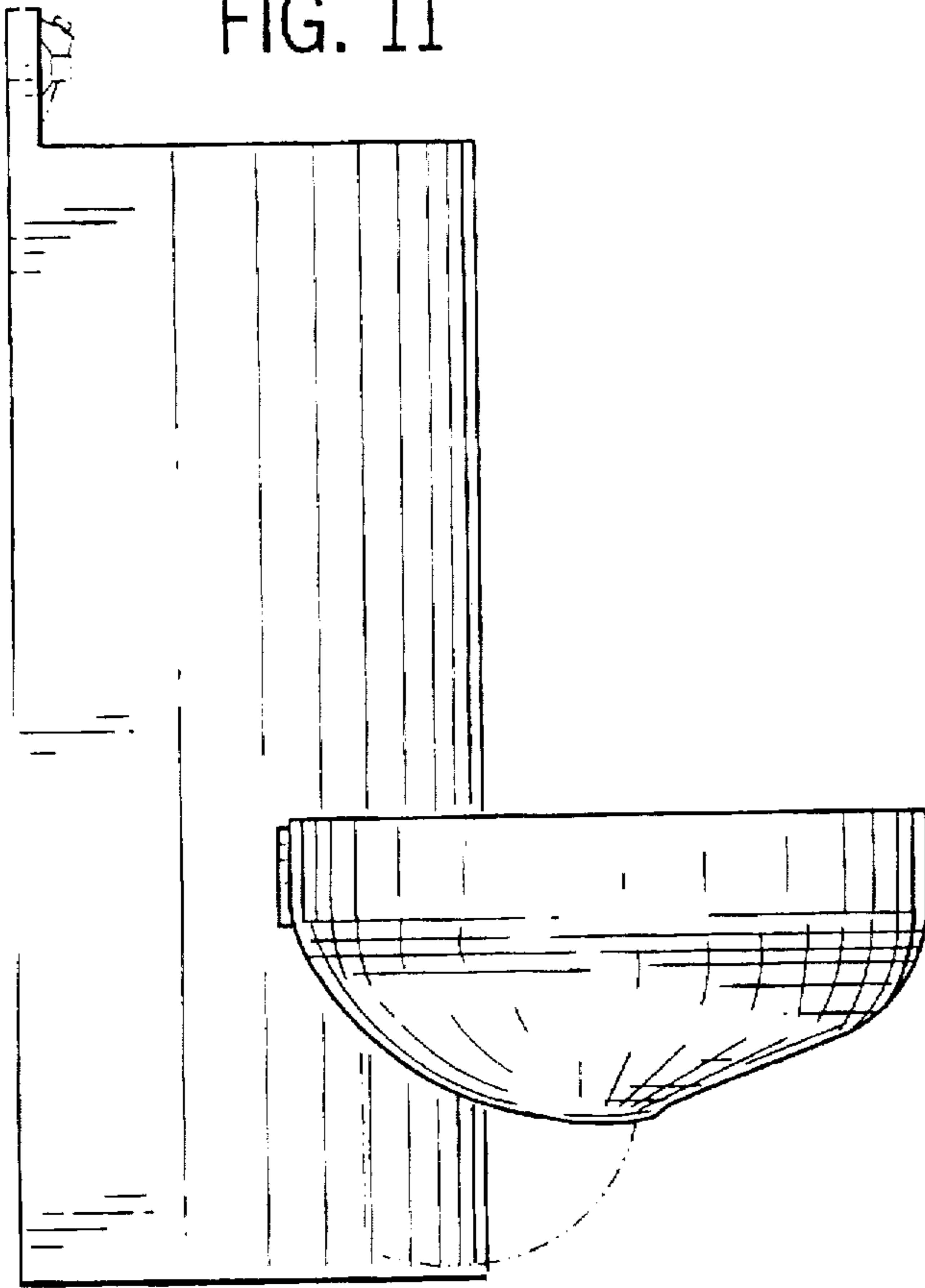


FIG. 12

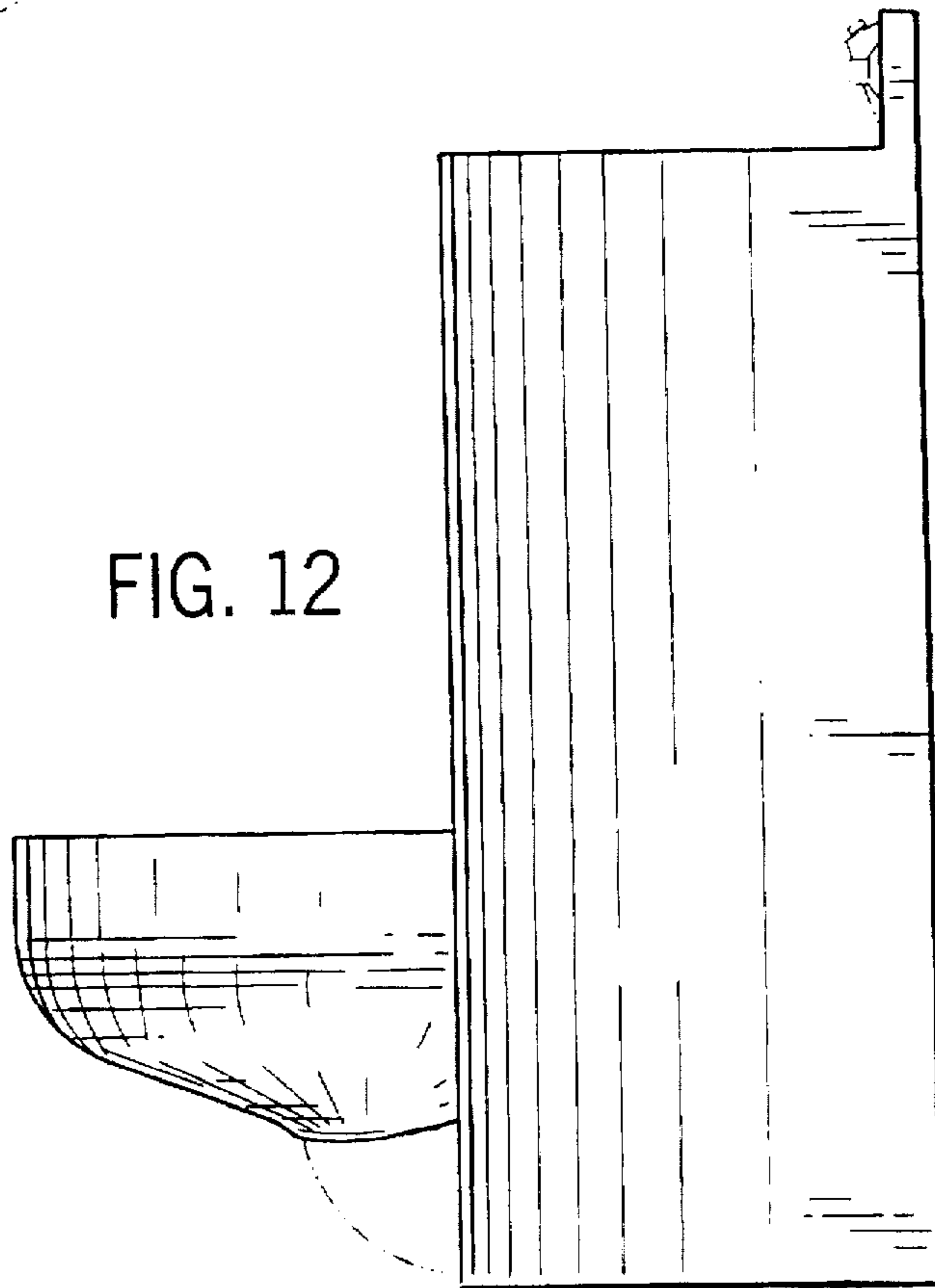


FIG. 13

