



US00D394490S

# United States Patent [19]

Andrus et al.

[11] Patent Number: Des. 394,490

[45] Date of Patent: \*\*May 19, 1998

[54] **FACEPLATE FOR A SHOWERHEAD**

[75] Inventors: **Leonard C. Andrus**, Plymouth; **Ronald D. Green**, New Hudson; **Bruce Higgins**, South Lyon, all of Mich.

[73] Assignee: **Brass-Craft Manufacturing Company**, Novi, Mich.

[\*\*] Term: **14 Years**

[21] Appl. No.: **71,441**

[22] Filed: **May 29, 1997**

[51] LOC (6) Cl. .... **23-01**

[52] U.S. Cl. .... **D23/213**

[58] Field of Search ..... D23/213, 223-230; 239/380-383, 459, 460, 394

- D. 339,627 9/1993 Klose .
- D. 346,429 4/1994 Warshawsky ..... D23/213
- D. 352,092 11/1994 Warshawsky ..... D23/213
- D. 355,242 2/1995 Warshawsky ..... D23/213
- D. 355,951 2/1995 Ran .
- D. 363,114 10/1995 Andrus .
- D. 367,696 3/1996 Andrus .
- D. 368,761 4/1996 Andrus .
- D. 369,203 4/1996 Andrus .
- D. 369,204 4/1996 Andrus .
- D. 369,205 4/1996 Andrus .
- D. 377,965 2/1997 Andrus .
- 3,180,579 4/1965 Tomaso .
- 3,468,483 9/1969 Parkison .
- 4,203,550 5/1980 On .
- 4,303,201 12/1981 Elkins et al. .
- 4,588,130 5/1986 Trenary et al. .
- 4,629,125 12/1986 Liu .
- 5,297,735 3/1994 Heimann et al. .

### OTHER PUBLICATIONS

Advertisement, "Great Vibrations", Hardware Age, Mar. 1997.

*Primary Examiner*—Alan P. Douglas  
*Assistant Examiner*—Robin V. Taylor  
*Attorney, Agent, or Firm*—Myron B. Kapustij; Malcolm L. Sutherland

[56] **References Cited**

#### U.S. PATENT DOCUMENTS

- D. 113,439 2/1939 Reinecke .
- D. 118,419 1/1940 Rockwood .
- D. 208,526 9/1967 Delamater .
- D. 245,859 9/1977 Grube .
- D. 261,300 10/1981 Klose .
- D. 261,417 10/1981 Klose .
- D. 267,582 1/1983 Mackay et al. .
- D. 268,359 3/1983 Klose .
- D. 269,540 6/1983 Larsson .
- D. 281,192 10/1985 Santi ..... D23/213
- D. 295,437 4/1988 Fabian .
- D. 313,456 1/1991 Presman .
- D. 313,833 1/1991 Presman .
- D. 314,608 2/1991 Presman .
- D. 315,191 3/1991 Mikol .
- D. 320,064 9/1991 Presman .
- D. 327,115 6/1992 Rogers .
- D. 327,729 7/1992 Rogers .
- D. 332,303 1/1993 Klose .
- D. 333,338 2/1993 Klose .
- D. 334,046 3/1993 Klose .
- D. 334,048 3/1993 Ben-Zur .
- D. 337,810 7/1993 Bengtson et al. .

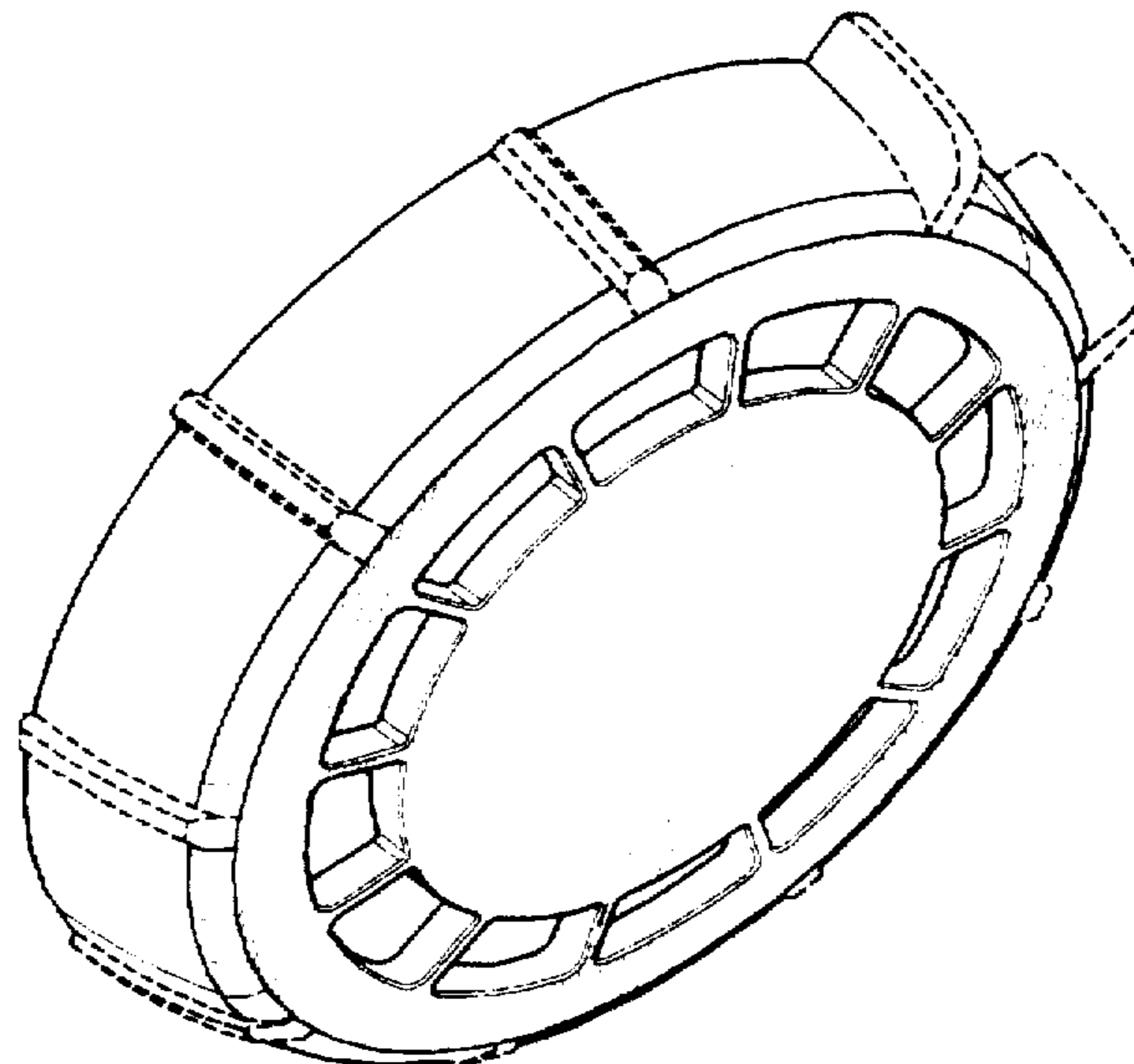
[57] **CLAIM**

The ornamental design for a faceplate for a showerhead, as shown and described.

### DESCRIPTION

FIG. 1 is a front perspective view of a faceplate for a showerhead showing our new design; FIG. 2 is a side elevational view thereof; FIG. 3 is a front elevational view thereof; and, FIG. 4 is a rear elevational view thereof. The broken line representation of the ribs around the rim of the faceplate in FIGS. 1-4 is for purposes of illustration only and forms no part of FIGS. 1-4.

1 Claim, 2 Drawing Sheets



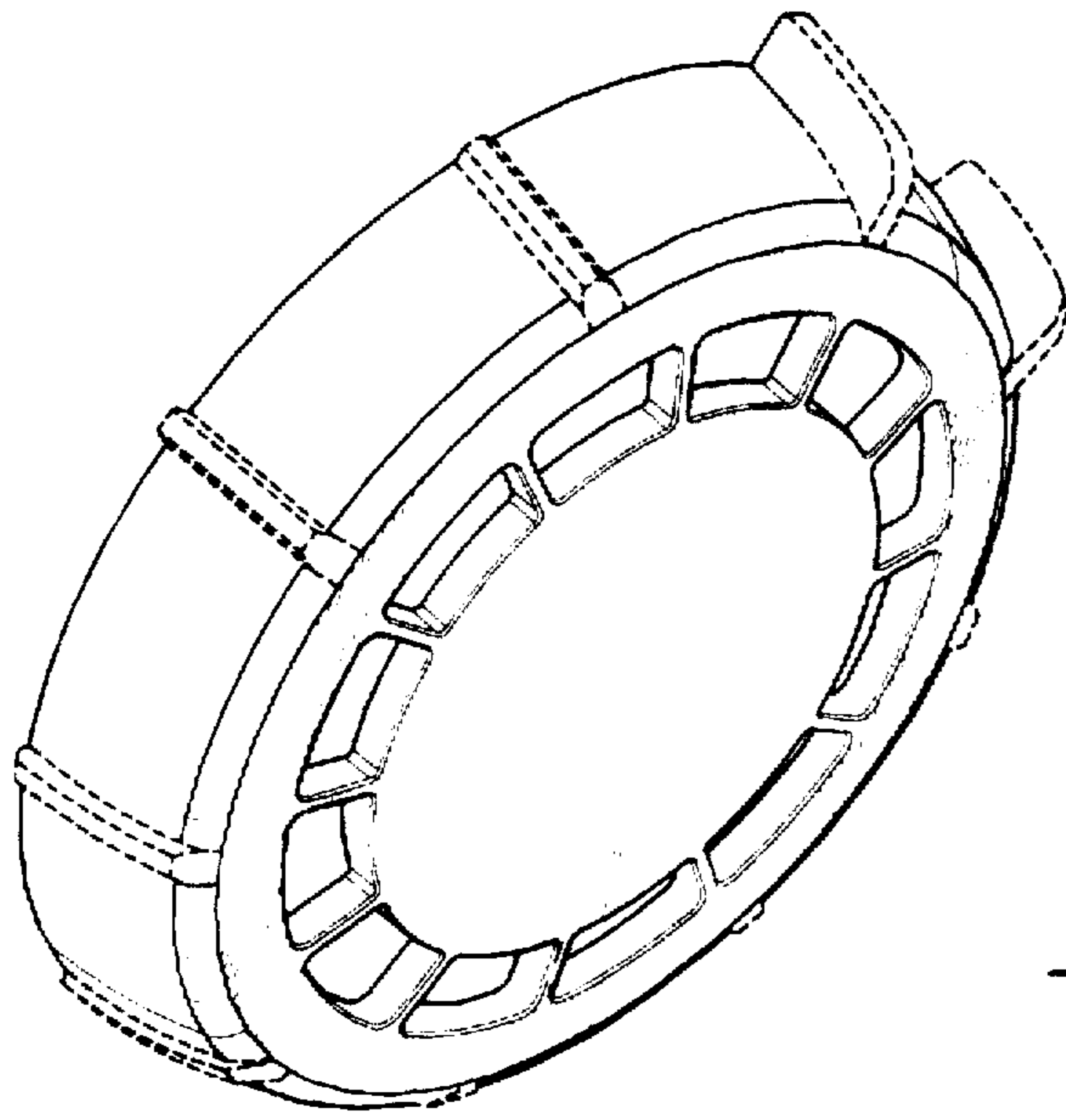


Fig-1

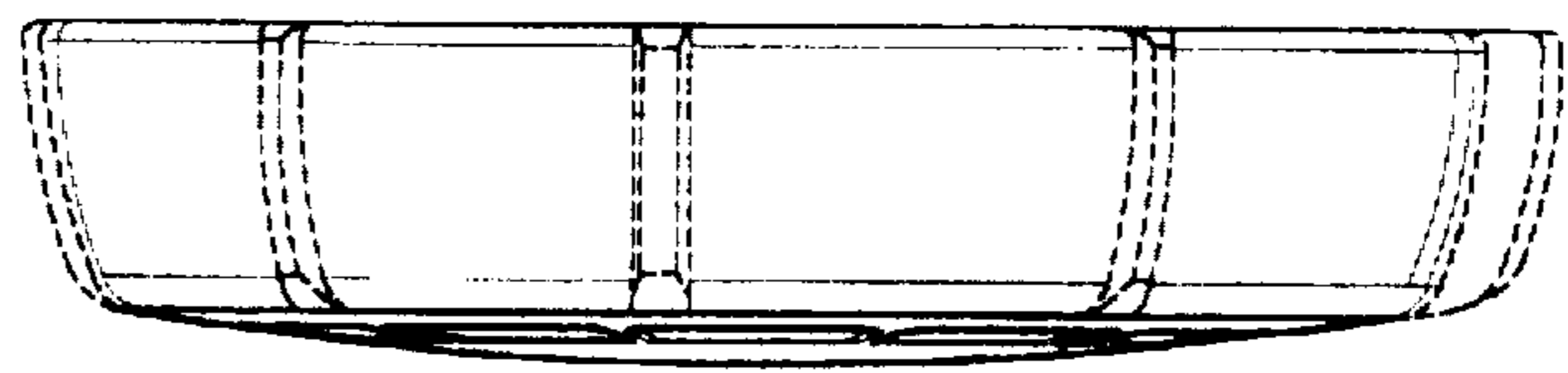


Fig-2

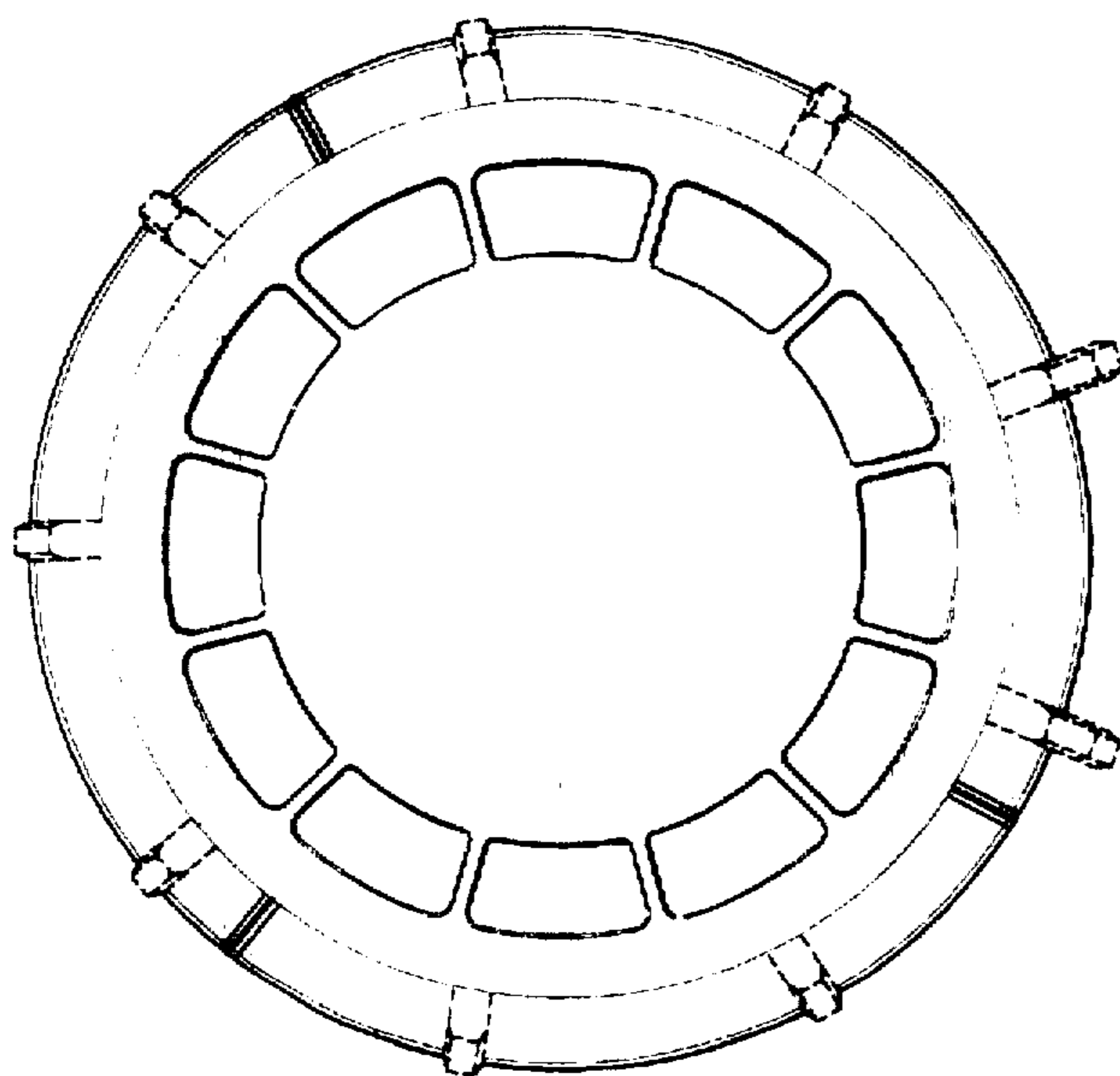


Fig-3

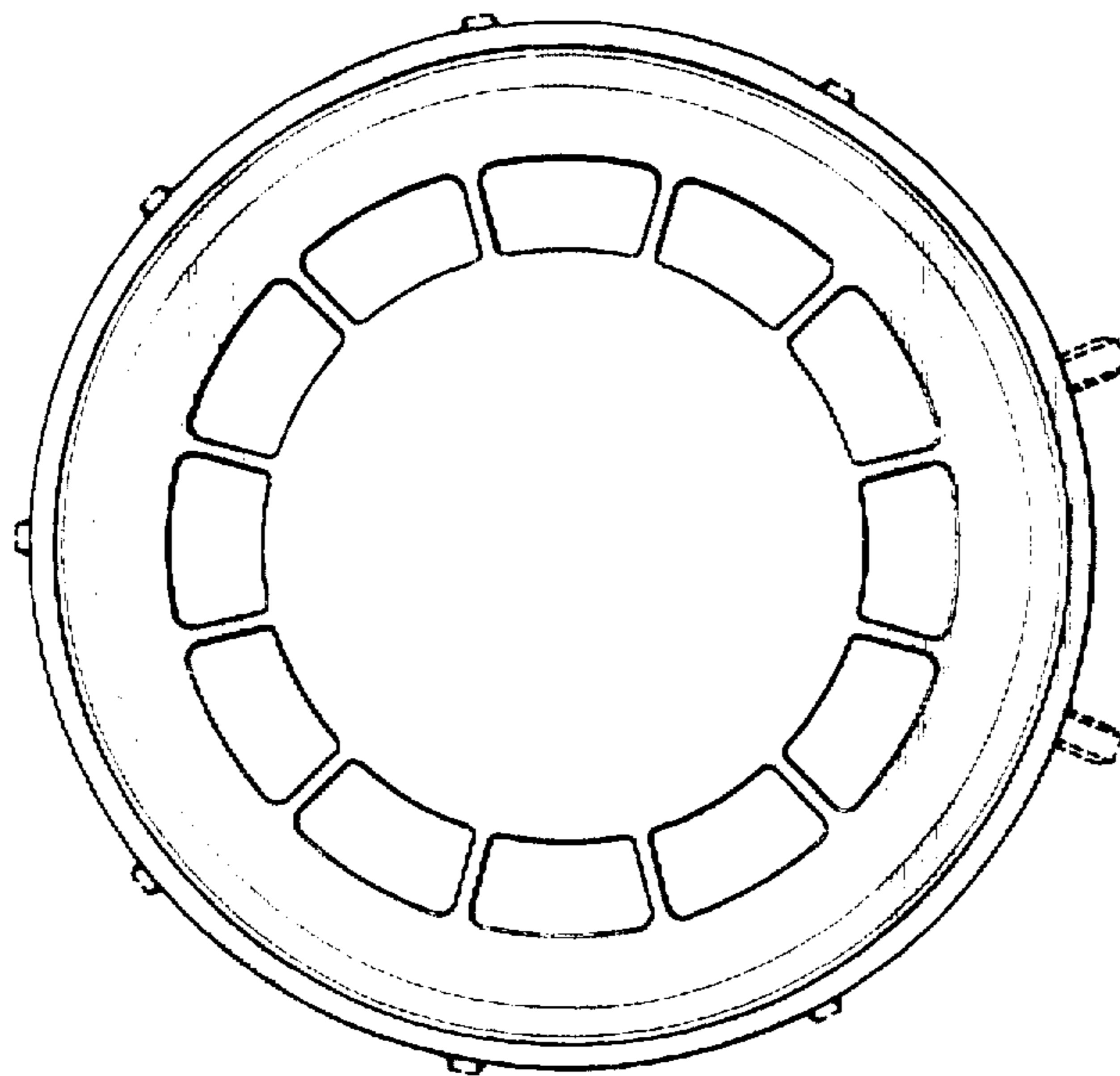


Fig-4