



US00D394487S

**United States Patent** [19]  
**Wilson**

[11] **Patent Number: Des. 394,487**

[45] **Date of Patent: \*\*May 19, 1998**

[54] **POOL FOUNTAIN**

**DESCRIPTION**

[76] **Inventor: Jeffrey Andrew Wilson**, 958 Laporte Ave., Windsor, Ontario, Canada, N8S 3R5

[\*\*] **Term: 14 Years**

[21] **Appl. No.: 45,411**

[22] **Filed: Oct. 19, 1995**

[51] **LOC (6) Cl. .... 23-01**

[52] **U.S. Cl. .... D23/201; D23/284**

[58] **Field of Search .... D23/200, 201, D23/238, 239; 239/16, 17, 20, 21, 22, 23**

[56] **References Cited**

**U.S. PATENT DOCUMENTS**

D. 257,980	1/1981	Sorensen	.....	D23/201
D. 303,422	9/1989	Pan	.....	D23/201
5,167,368	12/1992	Nash	.....	D23/201

*Primary Examiner*—Alan P. Douglas  
*Assistant Examiner*—Robin V. Taylor  
*Attorney, Agent, or Firm*—Huntley & Associates

[57] **CLAIM**

The ornamental design for a pool fountain, as shown and described.

FIG. 1 is a perspective view of a pool fountain of the design;  
FIG. 2 is a top plan view of the pool fountain of the design;  
FIG. 3 is a front elevational view of the pool fountain of the design;

FIG. 4 is a right side elevational view, the left side elevational view being identical;

FIG. 5 is a rear elevational view of the design;

FIG. 6 is a bottom plan view of the design;

FIG. 7 is a perspective view of an alternative embodiment of the invention;

FIG. 8 is a top plan view of the embodiment shown in FIG. 7; and,

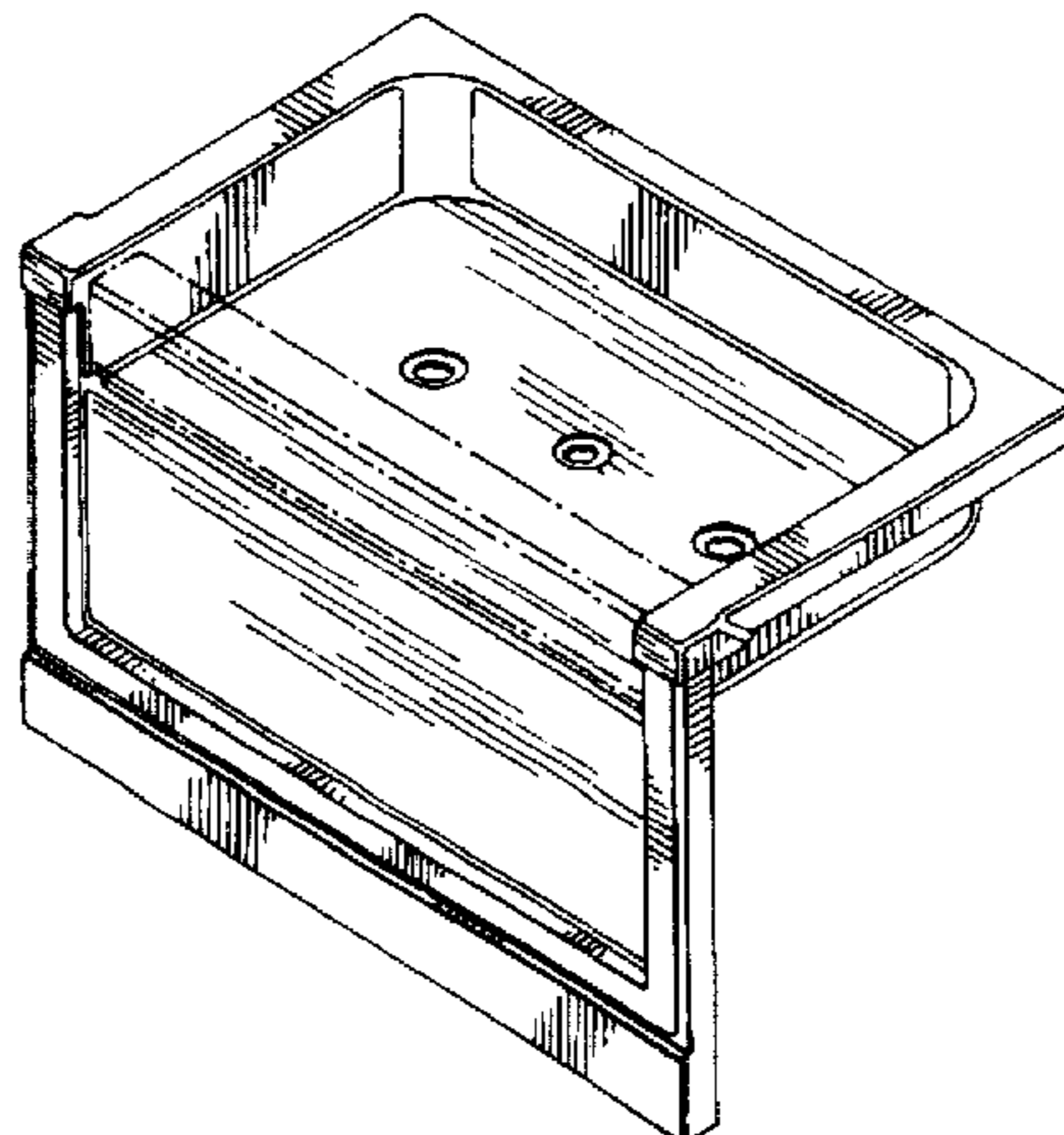
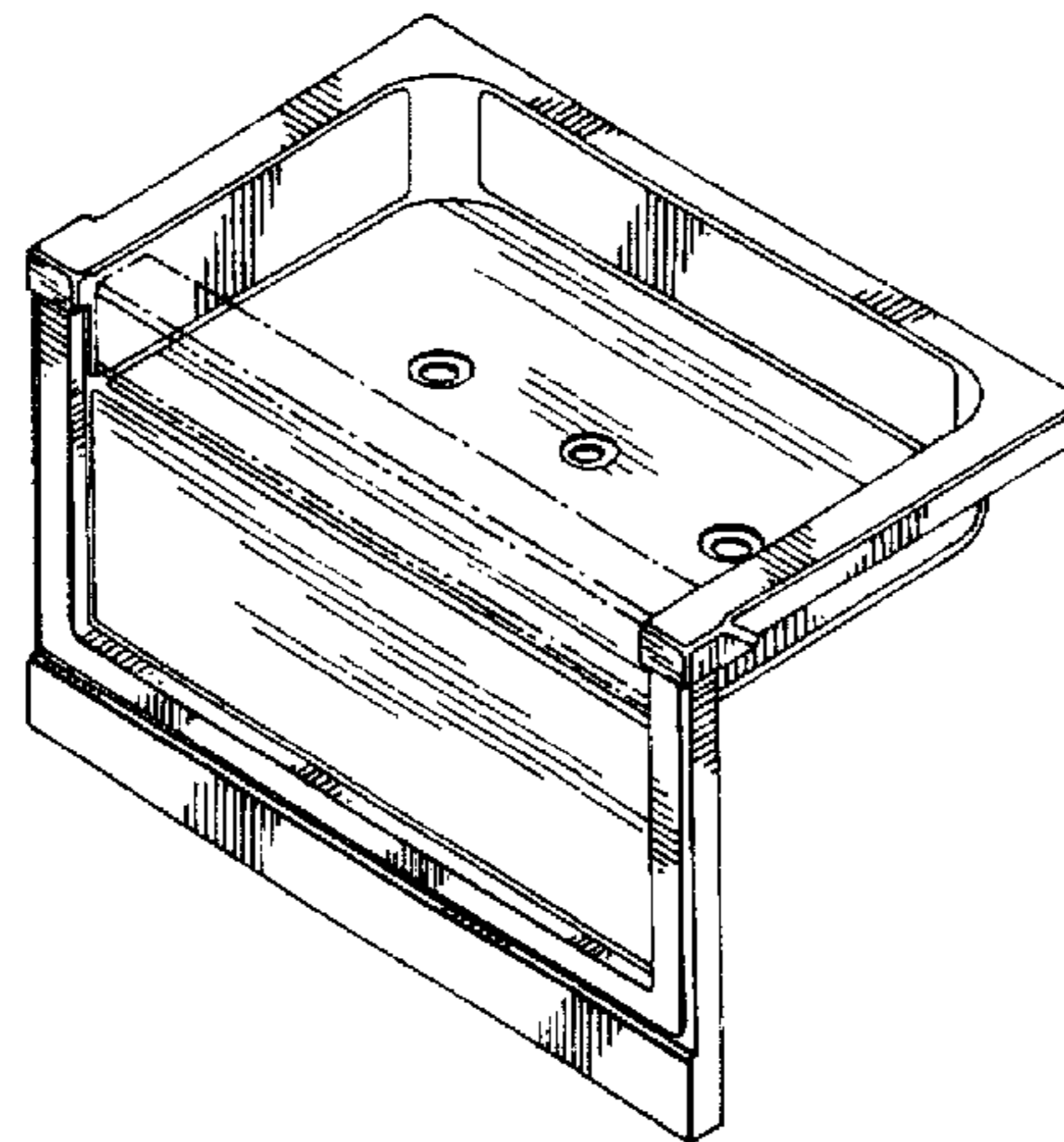
FIG. 9 is a bottom plan view of the embodiment shown in FIG. 7.

The rear elevational view of the embodiment shown in FIG. 7 is identical to FIG. 5.

The right elevational view of the embodiment shown in FIG. 7 is identical to FIG. 4, the left side elevational view being identical.

The broken line shown is for illustrative purposes only and forms no part of the claim design.

**1 Claim, 6 Drawing Sheets**



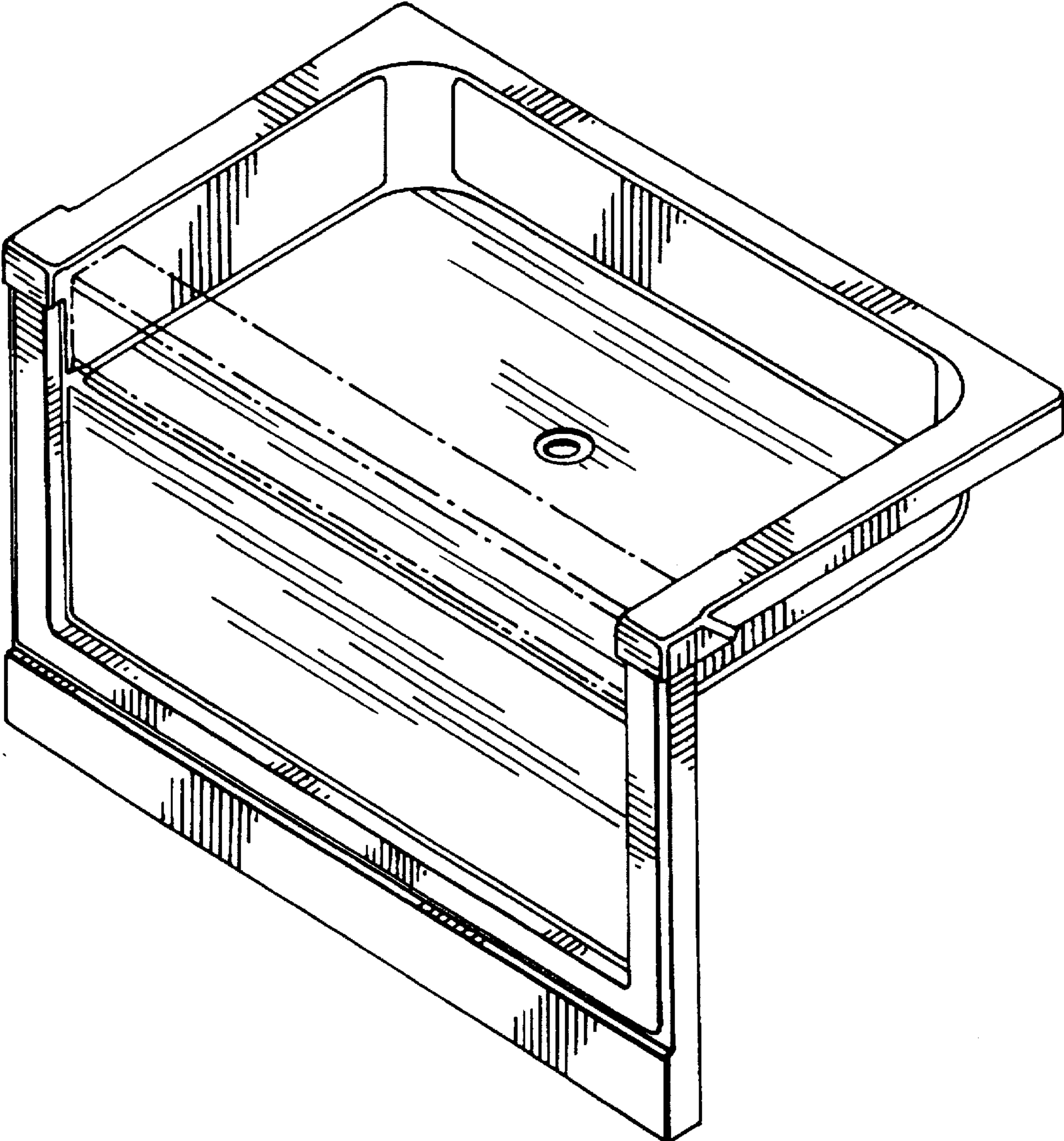


FIG. 1

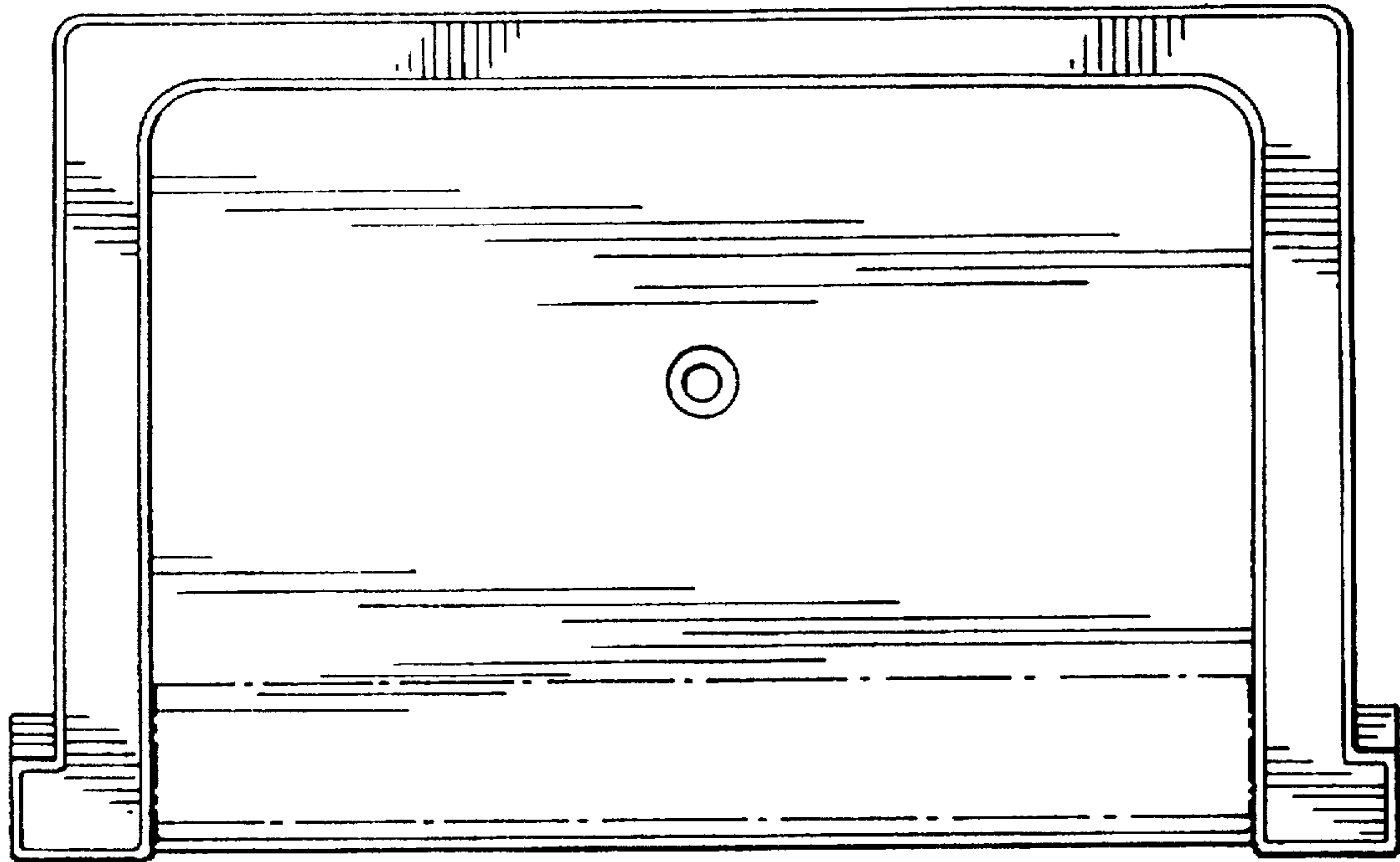


FIG. 2

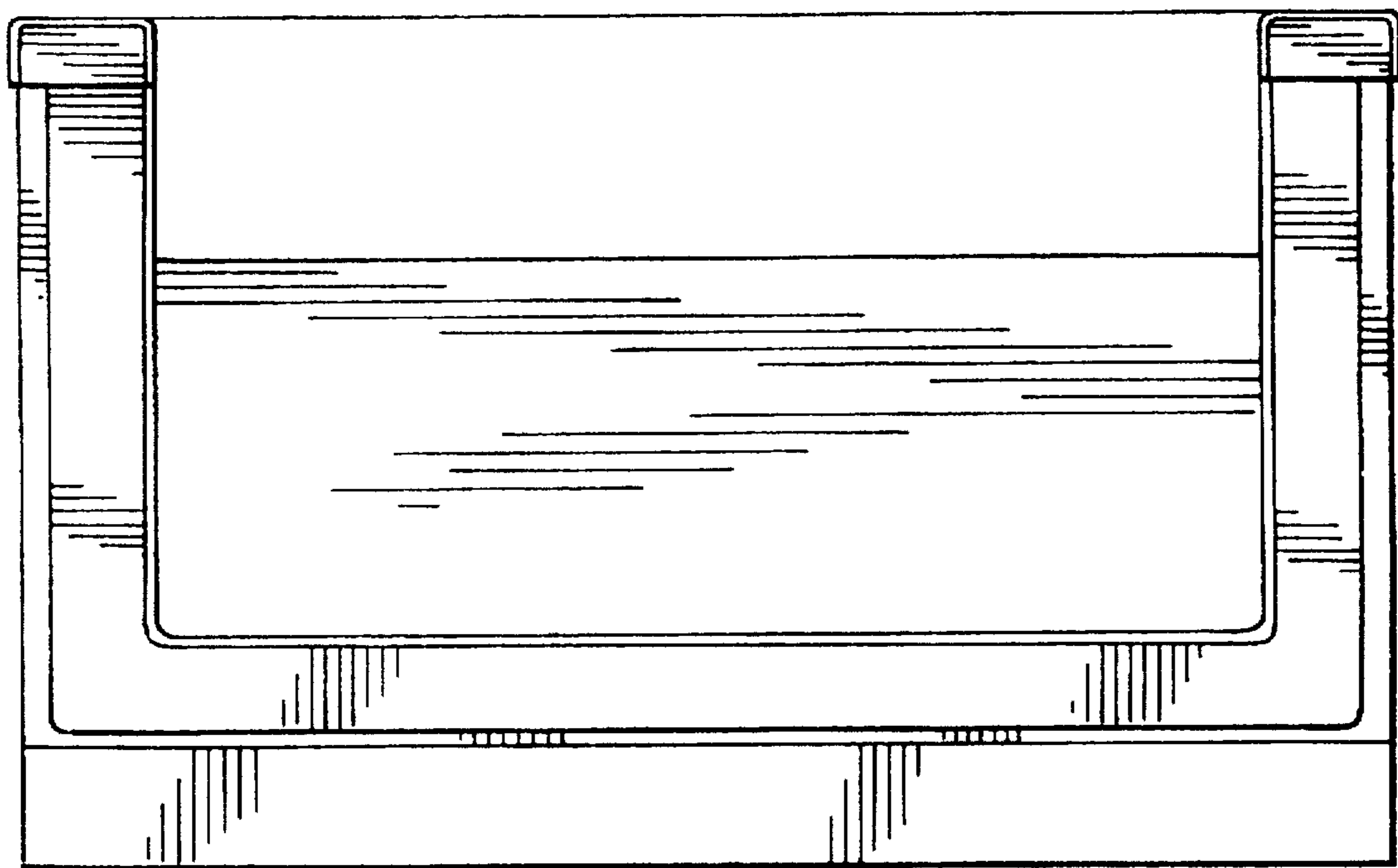


FIG. 3

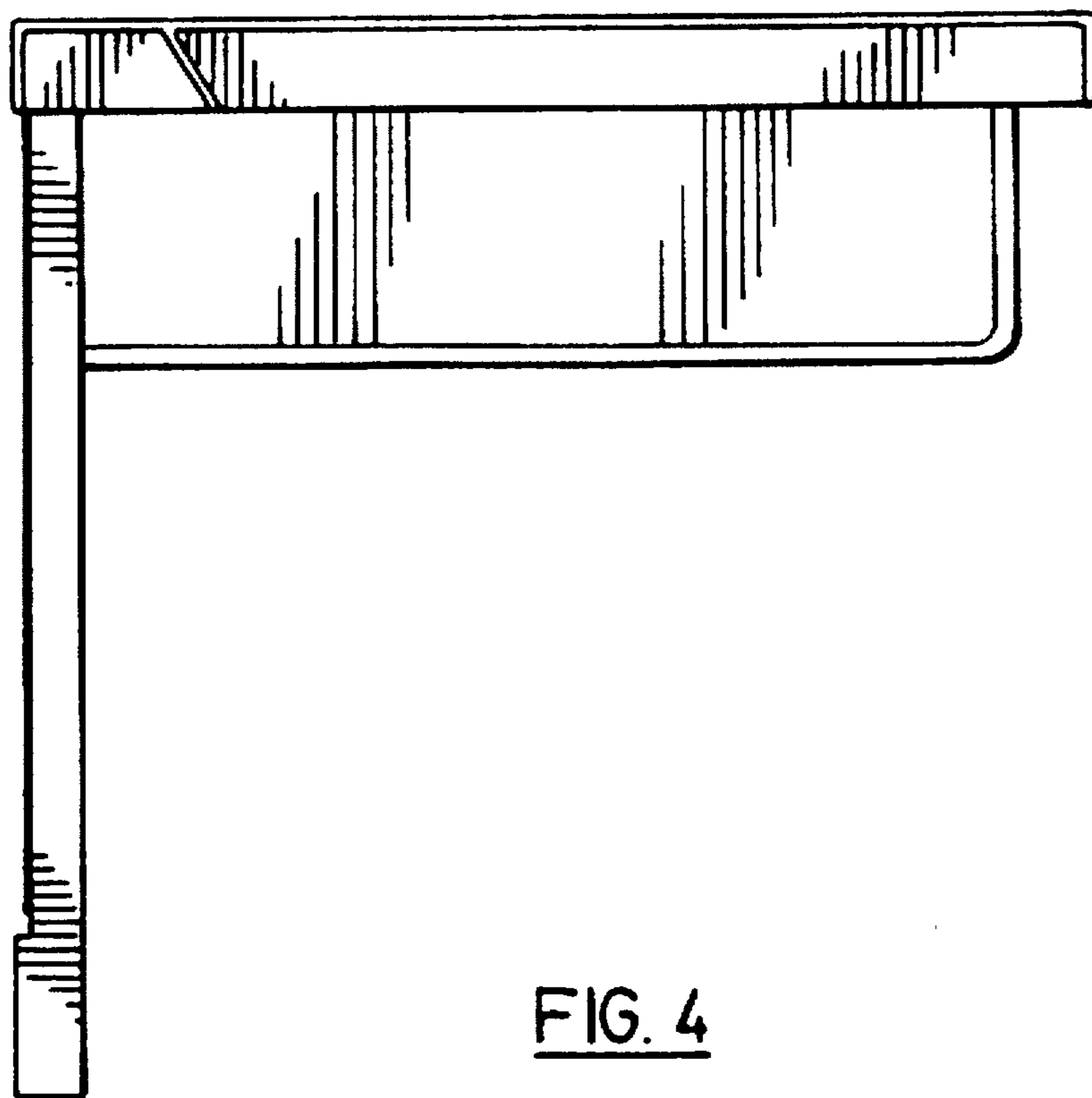


FIG. 4



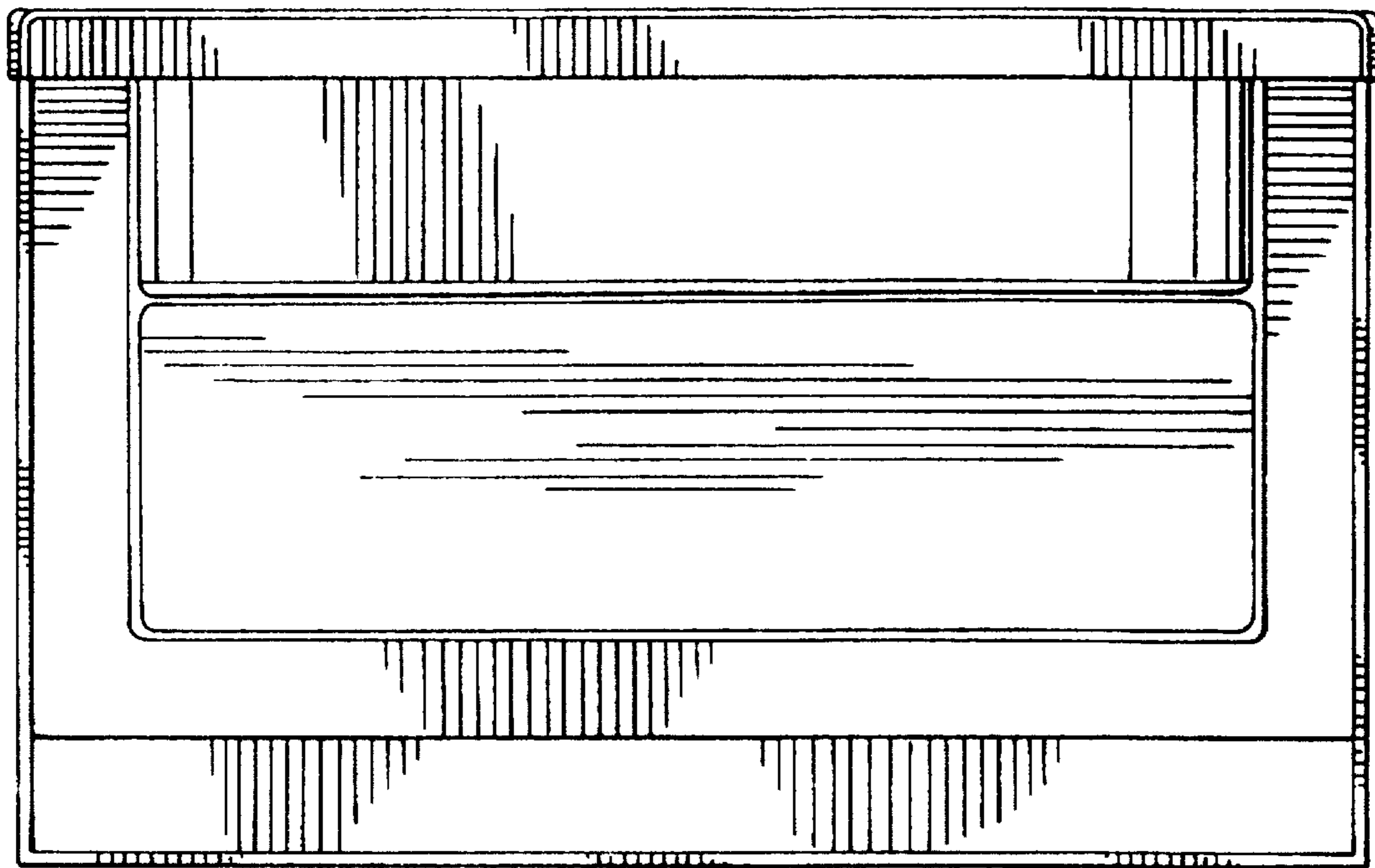


FIG. 5

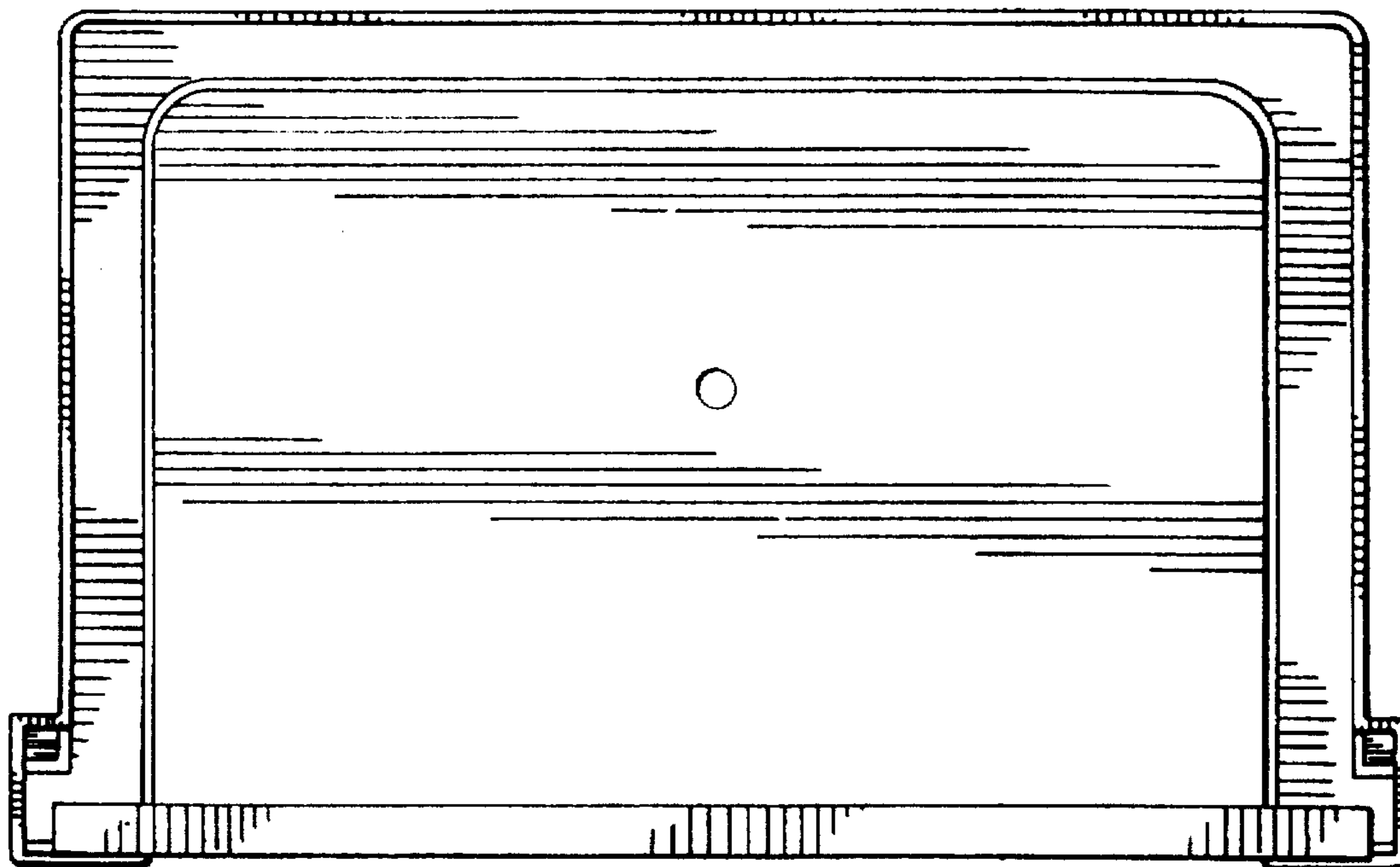


FIG. 6

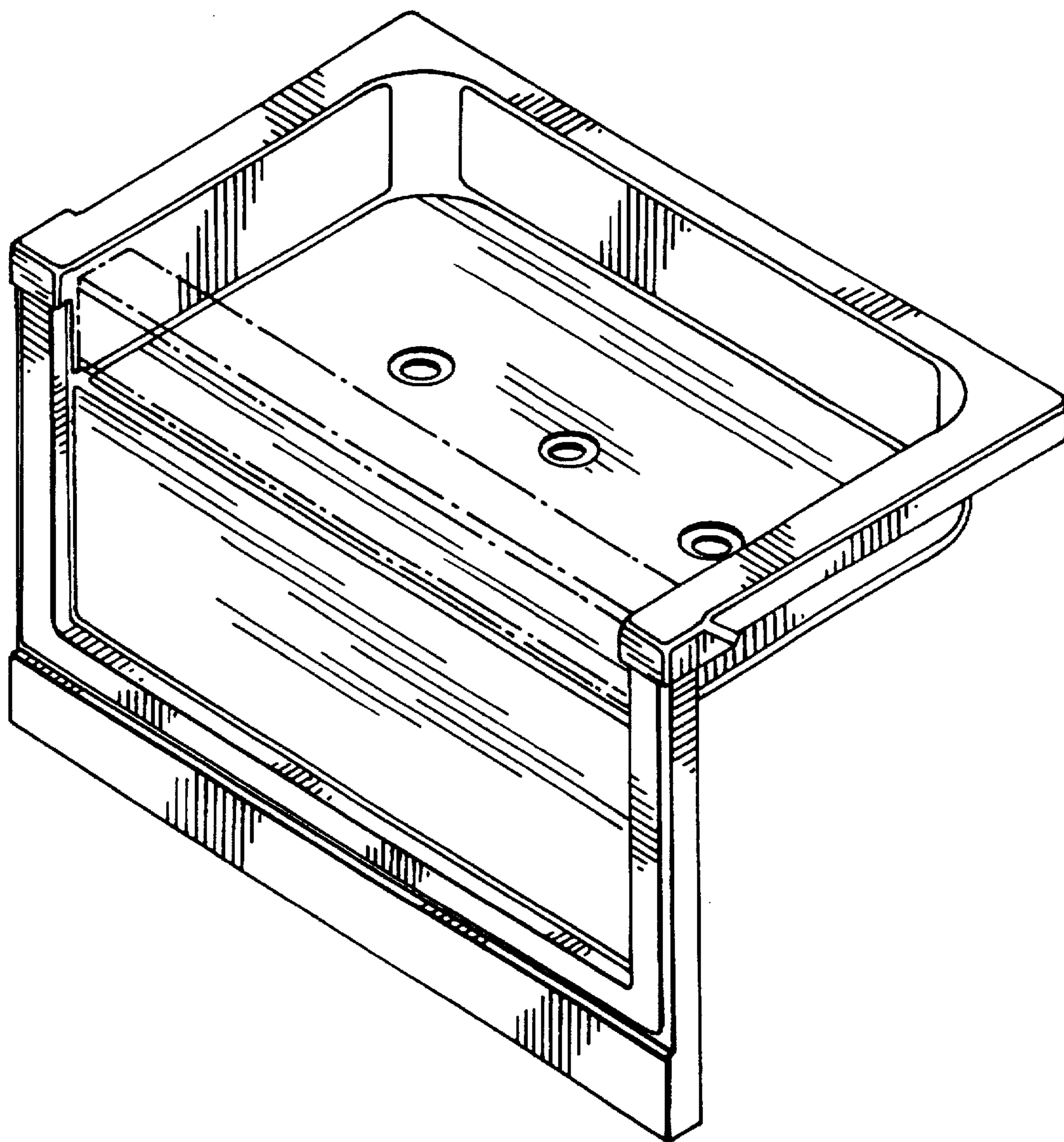


FIG. 7

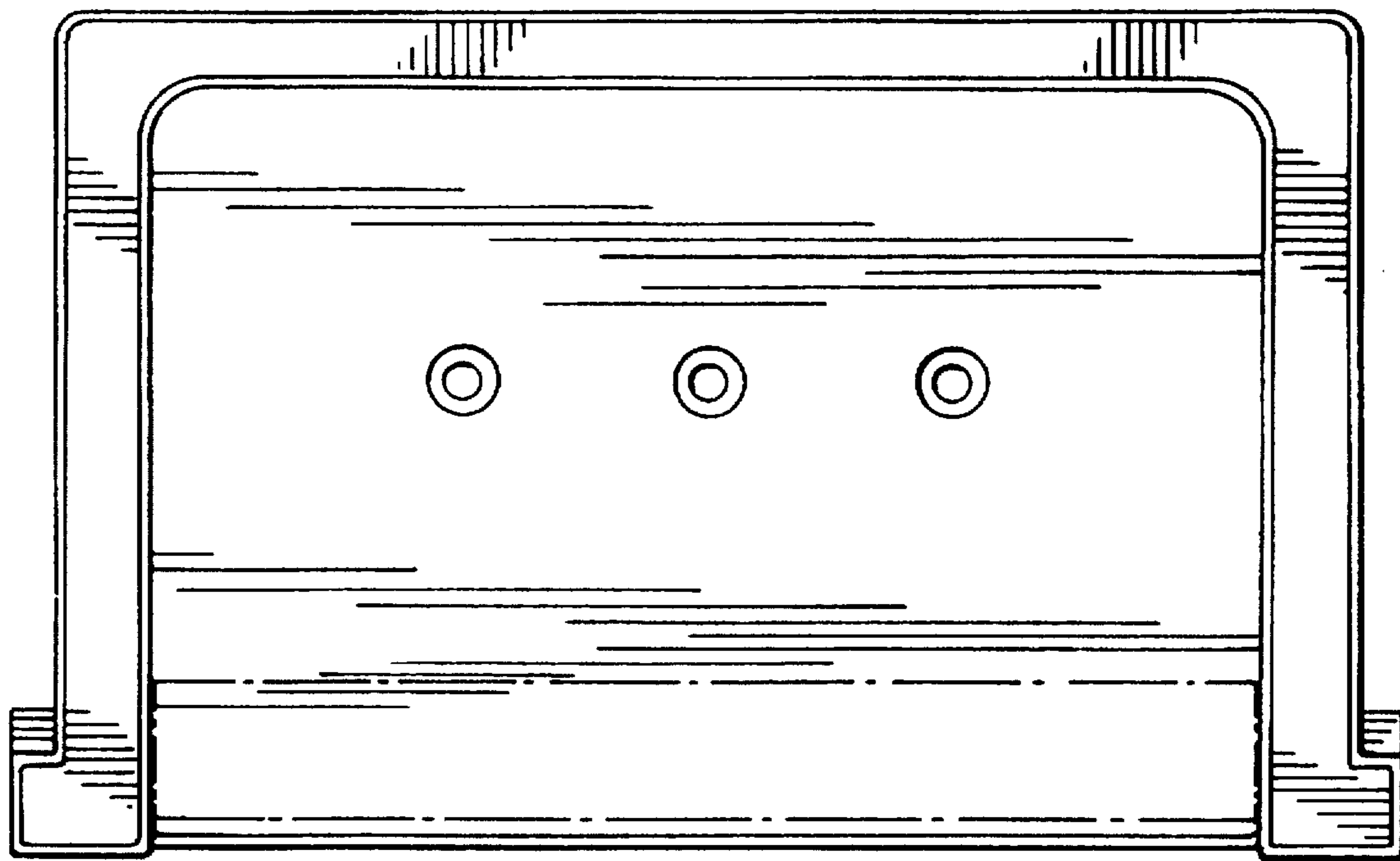


FIG. 8

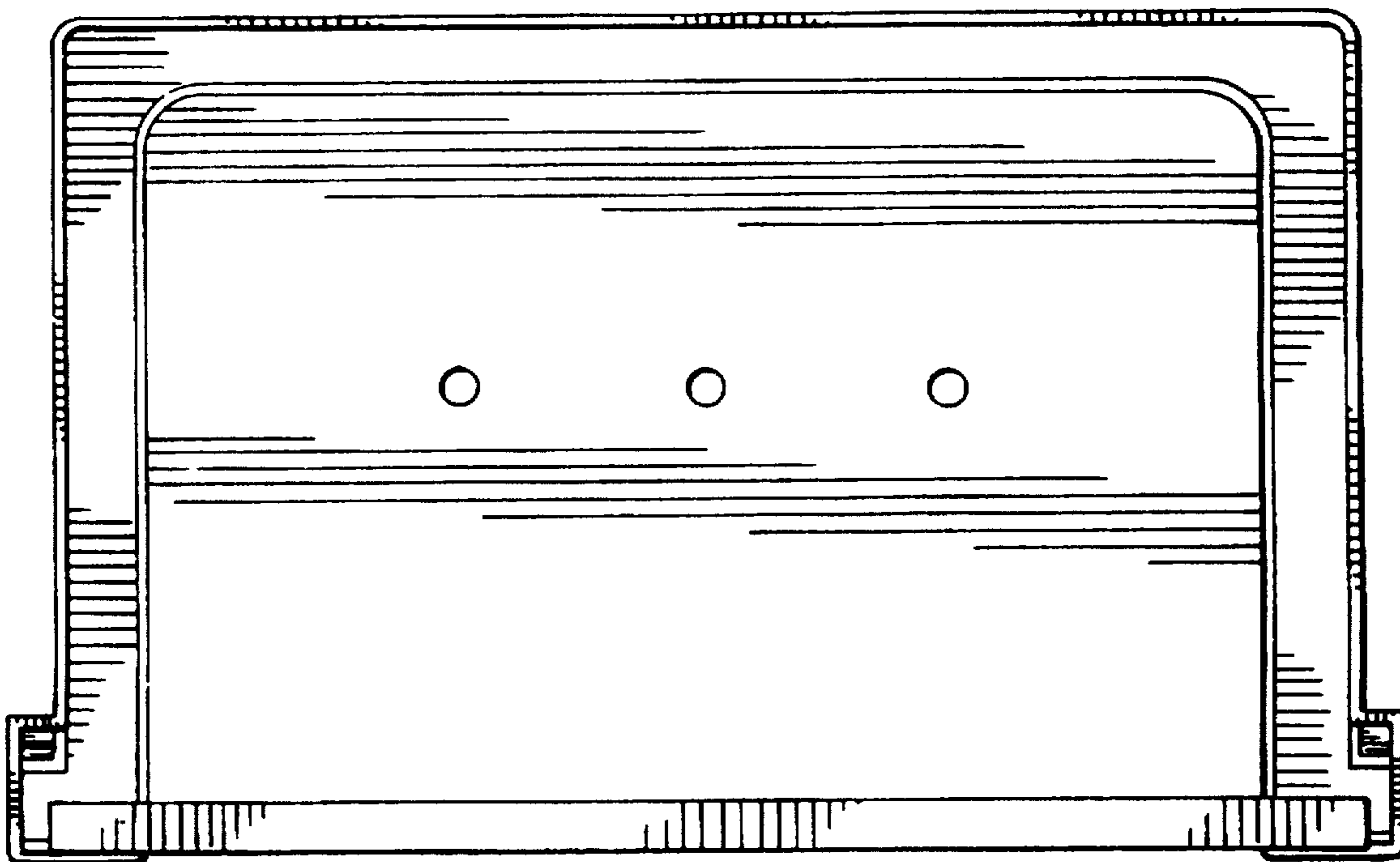


FIG. 9