



US00D394486S

United States Patent [19]
O'Neill

[11] **Patent Number: Des. 394,486**

[45] **Date of Patent: **May 19, 1998**

[54] **FISHING ROD HOLDER**

[76] **Inventor: Paul Roy O'Neill, 20 Gays Grove,
Devon North, Victoria, Australia, 3971**

[**] **Term: 14 Years**

[21] **Appl. No.: 60,062**

[22] **Filed: Sep. 20, 1996**

[30] **Foreign Application Priority Data**

Mar. 25, 1996 [AU] Australia 901/96

[51] **LOC (6) Cl. 22-05**

[52] **U.S. Cl. D22/147**

[58] **Field of Search D22/147; 43/21.2;
248/518, 534**

[56] **References Cited**

U.S. PATENT DOCUMENTS

D. 306,396	3/1990	Brushaber	D22/147	X
2,632,616	3/1953	Heistand	248/518	X
3,612,454	10/1971	Linn	248/518	X
4,485,578	12/1984	Novex	248/534	X

4,586,688	5/1986	Hartman et al.	43/21.2	X
4,901,970	2/1990	Moss et al.	43/21.2	X
5,321,904	6/1994	Benson	43/21.2	
5,344,115	9/1994	Mayne et al.	248/534	
5,519,959	5/1996	Cross	43/21.2	
5,632,112	5/1997	Steinborn	43/21.2	

Primary Examiner—Doris V. Coles
Attorney, Agent, or Firm—Shlesinger Arkwright & Gavey
LLP

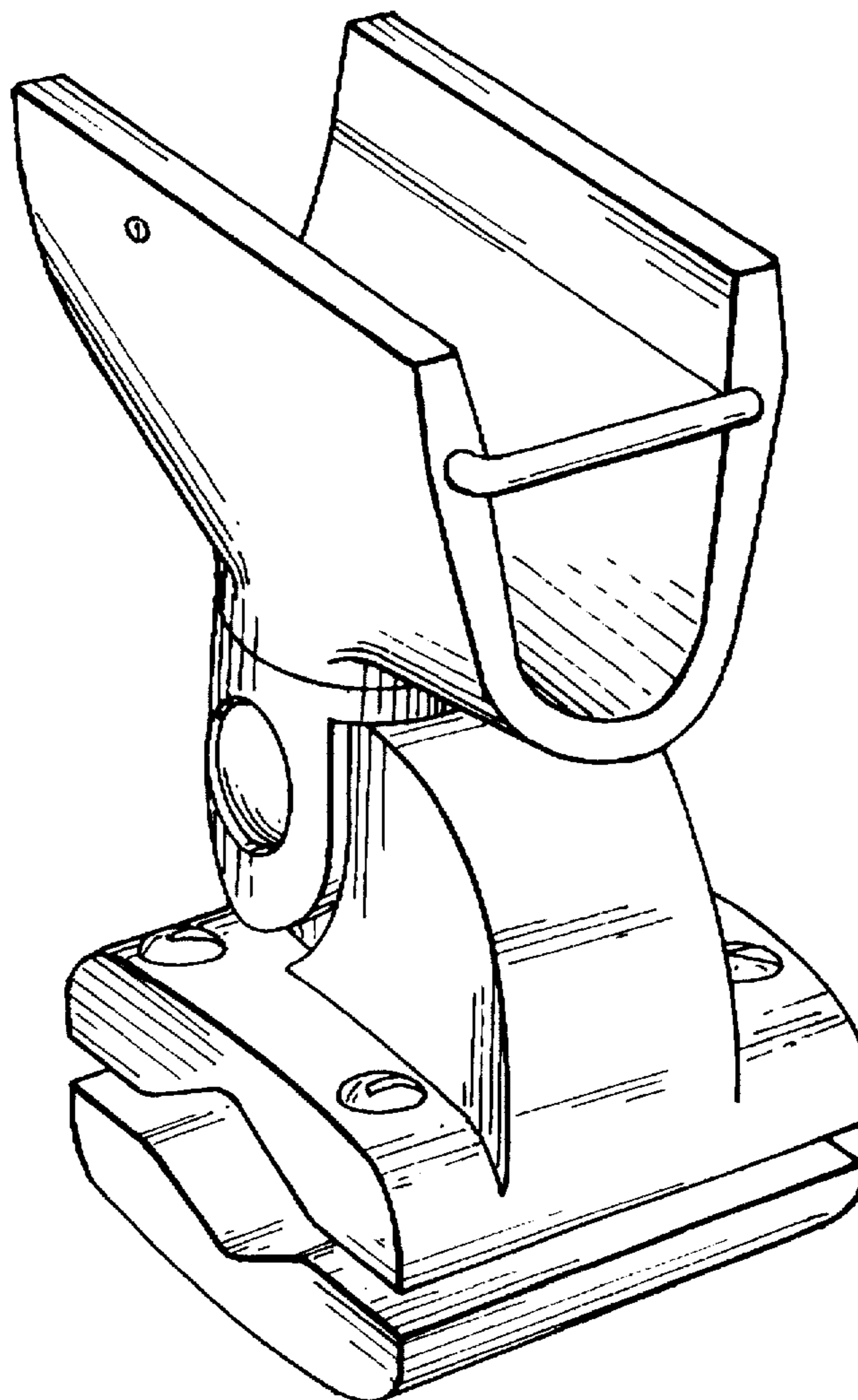
[57] **CLAIM**

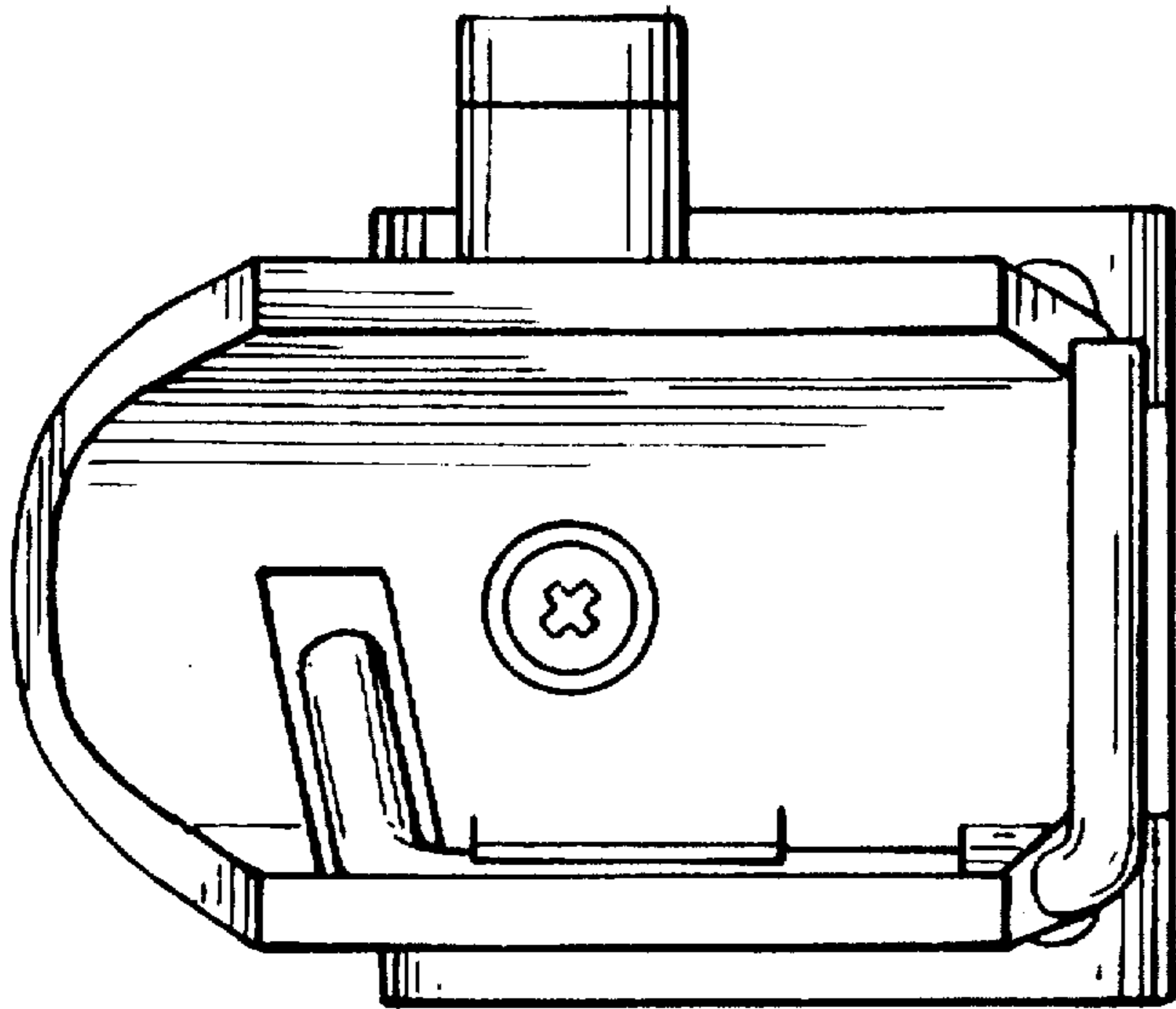
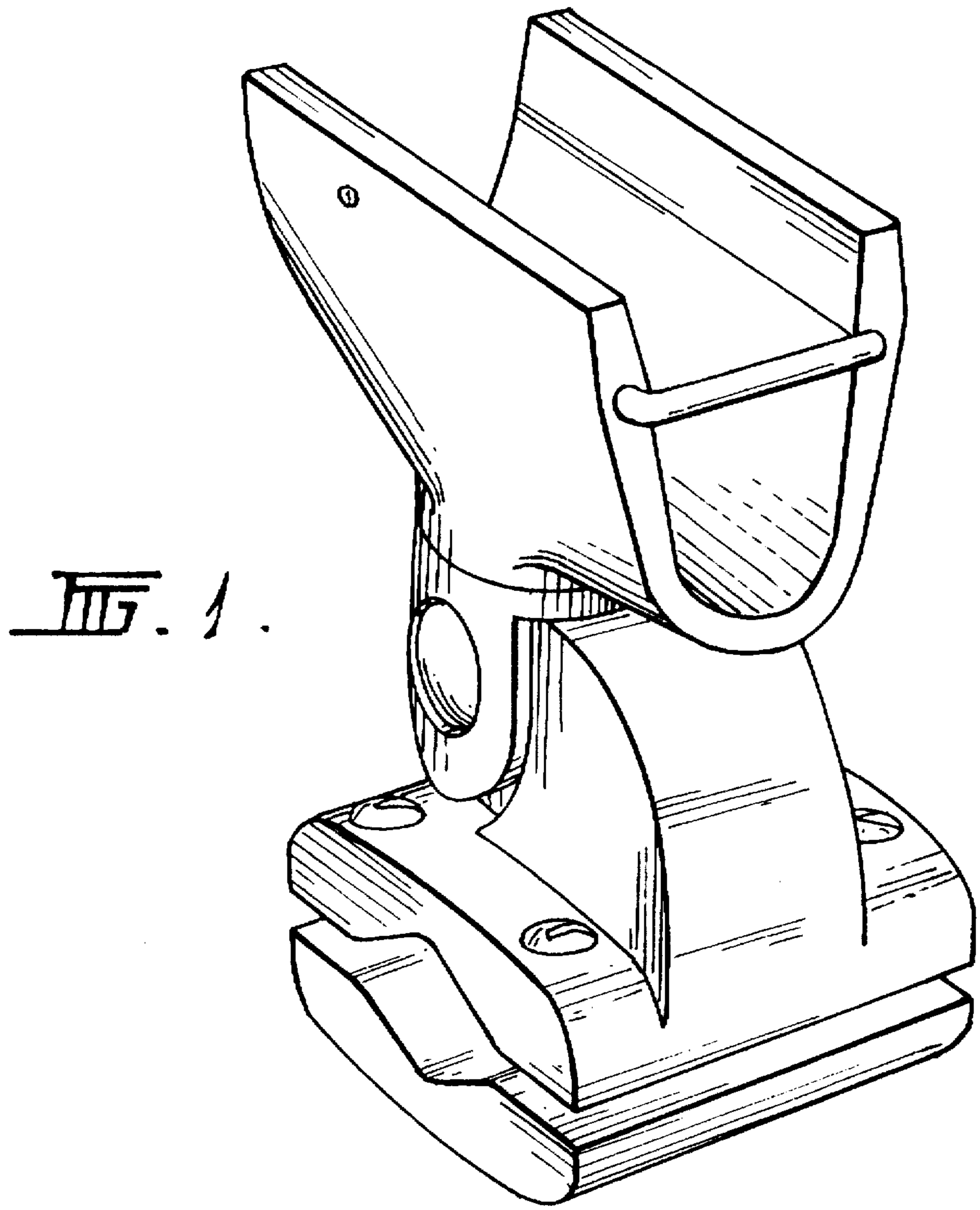
The ornamental design for fishing rod holder, as shown and described.

DESCRIPTION

FIG. 1 is a perspective view of fishing rod holder showing my new design;
FIG. 2 is a top plan view thereof;
FIG. 3 is a front elevational view thereof;
FIG. 4 is a right side elevational view thereof;
FIG. 5 is a left side elevational view thereof; and,
FIG. 6 is a rear elevational view thereof.

1 Claim, 3 Drawing Sheets





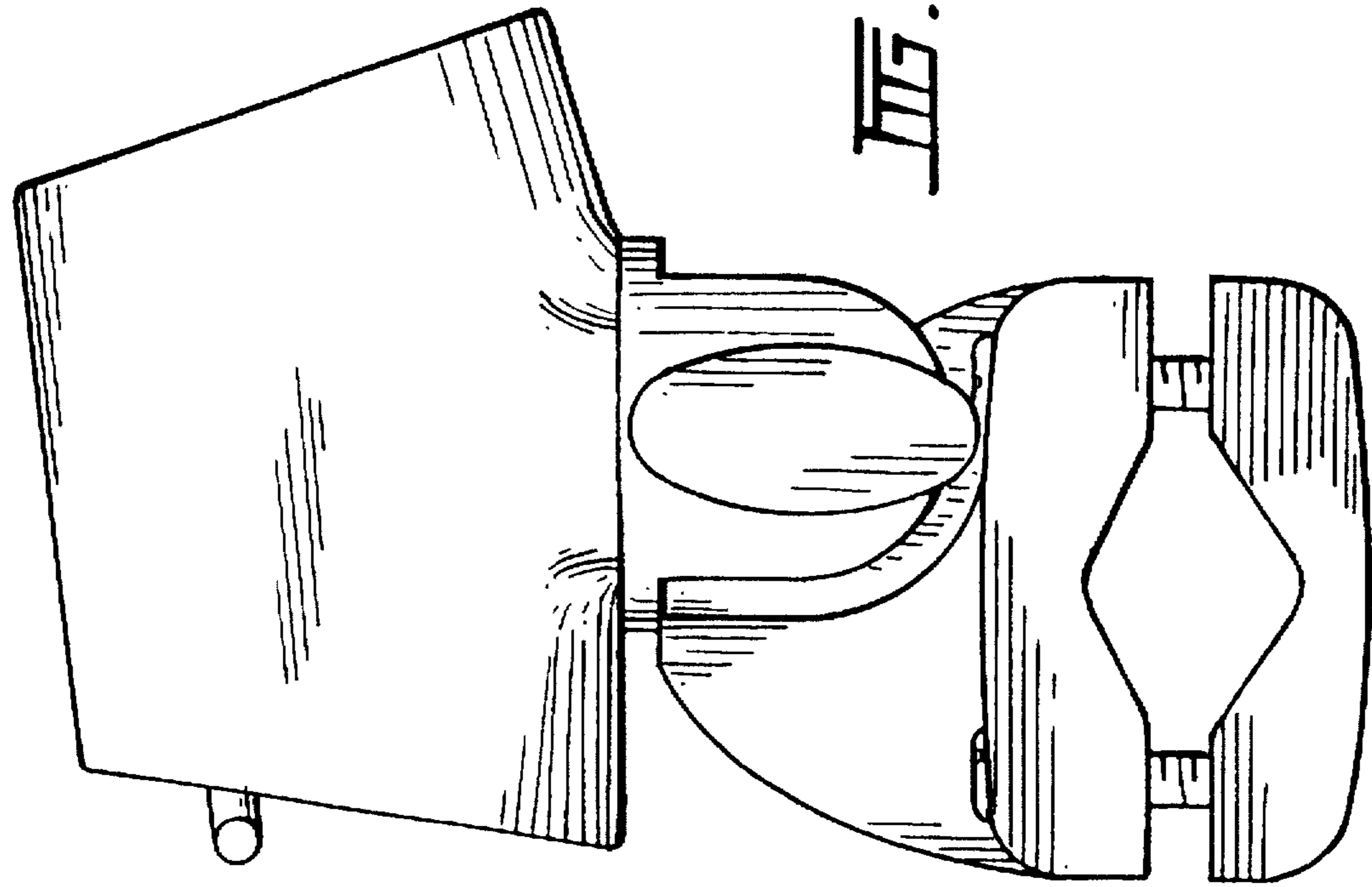


FIG. 4.

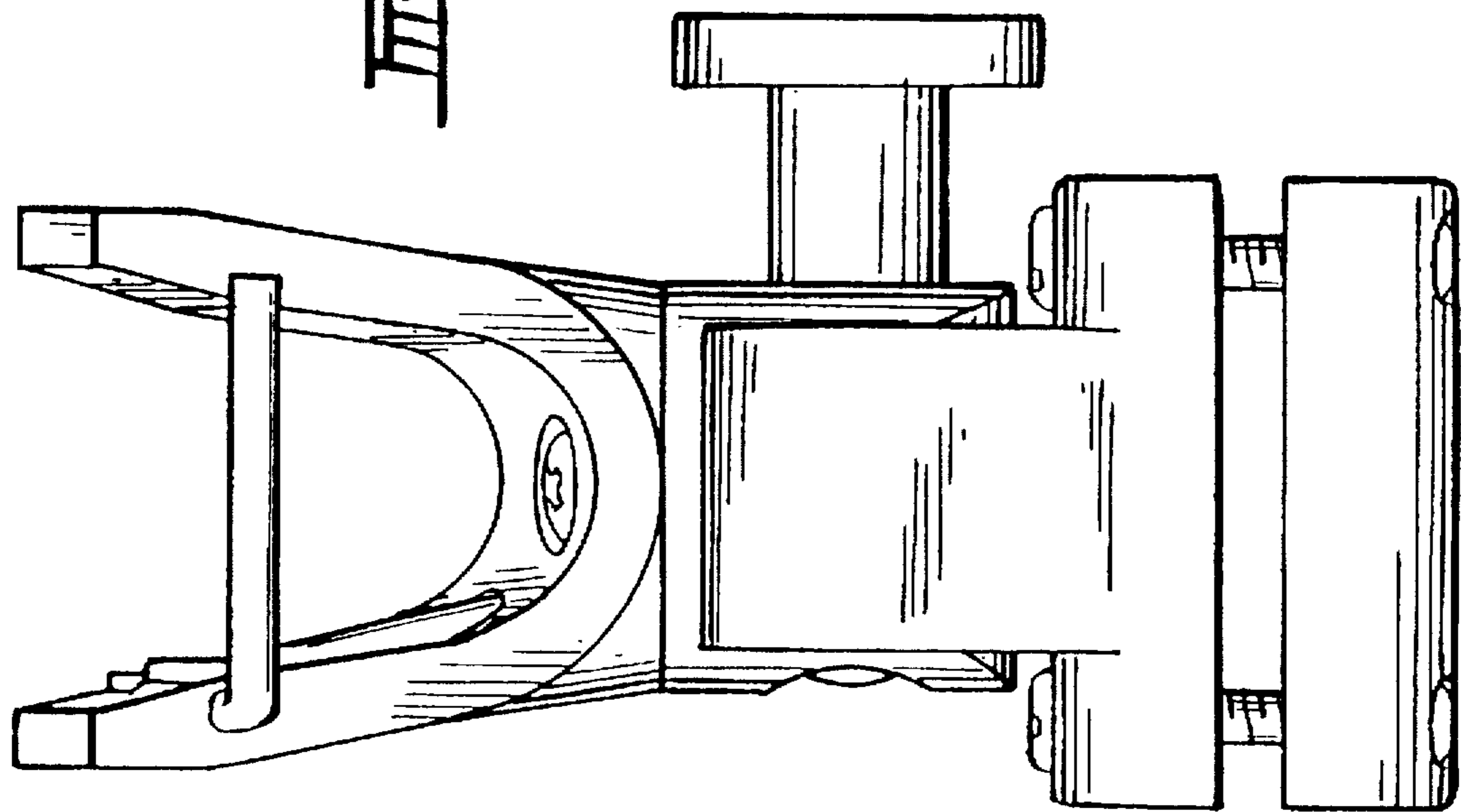


FIG. 3.

