



US00D394482S

United States Patent [19]

Colonello

[11] Patent Number: **Des. 394,482**

[45] Date of Patent: ****May 19, 1998**

[54] **EXERCISE DEVICE**

5,071,119 12/1991 Johnson 482/112
5,152,732 10/1992 Sayre 482/112

[76] Inventor: **Dennis J. Colonello**, 12030 Valleyheart Dr., Suite 103, Studio City, Calif. 91604

FOREIGN PATENT DOCUMENTS

[**] Term: **14 Years**

2552671 4/1985 France .
8703499 6/1987 WIPO .

[21] Appl. No.: **68,552**

Primary Examiner—Philip S. Hyder
Attorney, Agent, or Firm—Sand & Sebolt

[22] Filed: **Mar. 24, 1997**

[57] **CLAIM**

[51] **LOC (6) Cl.** **21-02**

[52] **U.S. Cl.** **D21/195**

The ornamental design for an exercise device, as shown and described.

[58] **Field of Search** D21/191, 195,
D21/198; 482/112, 113, 133, 128

DESCRIPTION

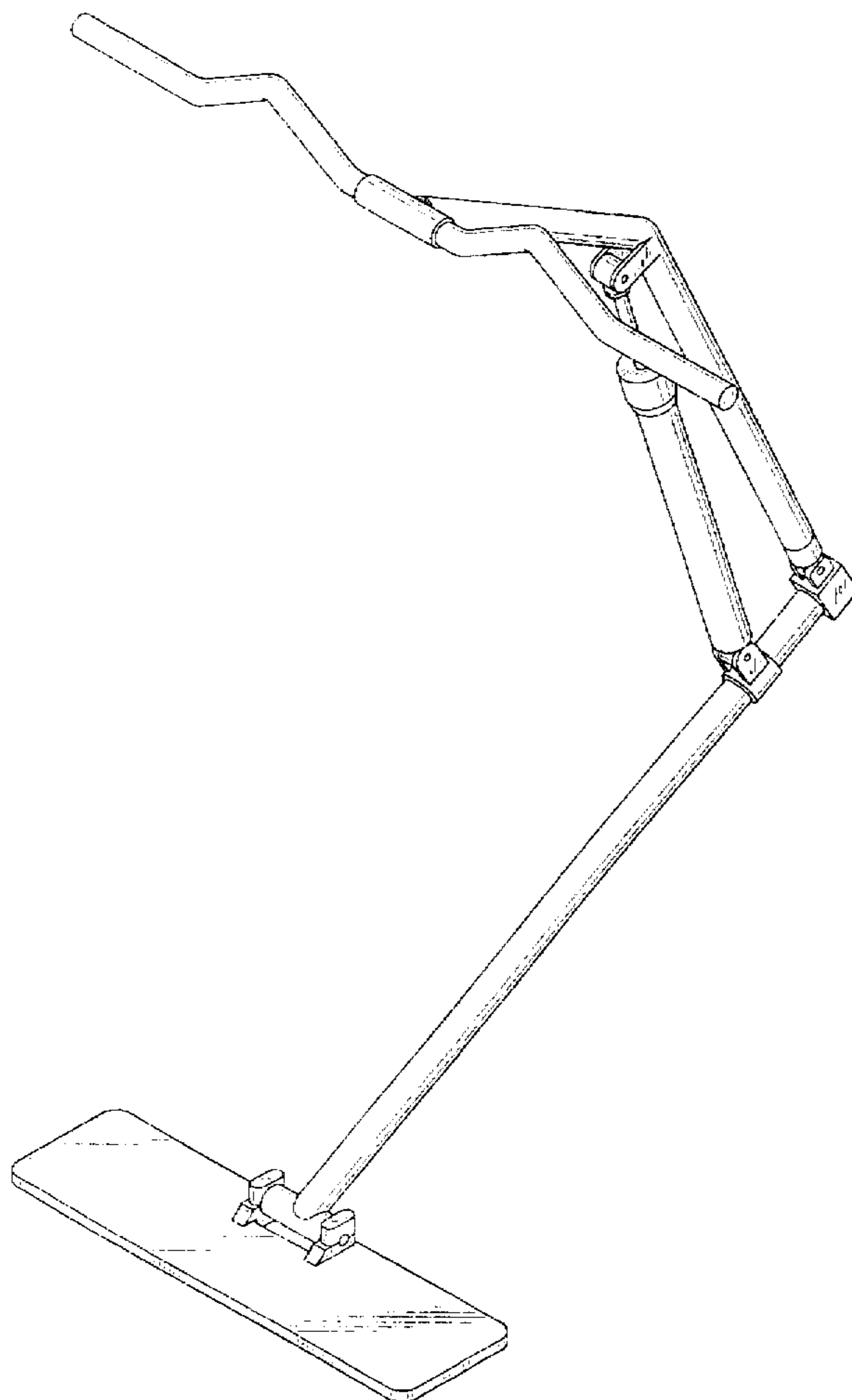
[56] **References Cited**

FIG. 1 is a perspective view of an exercise device;
FIG. 2 is a front elevational view of the exercise device of FIG. 1;
FIG. 3 is a right side elevational view of the exercise device of FIG. 1;
FIG. 4 is a back elevational view of the exercise device of FIG. 1;
FIG. 5 is a top plan view of the exercise device of FIG. 1; and,
FIG. 6 is a bottom plan view of the exercise device of FIG. 1.

U.S. PATENT DOCUMENTS

D. 226,439	3/1973	Coker	D21/195
D. 268,508	4/1983	Silberman et al.	D21/195
D. 300,442	3/1989	Brentham	D21/195
D. 321,029	10/1991	Low	D21/195
D. 357,956	5/1995	Hughes	D21/195
4,275,882	6/1981	Grosser et al.	482/112
4,618,140	10/1986	Brown	482/112
4,863,161	9/1989	Telle	482/112
5,037,088	8/1991	Bernstein	482/112
5,037,090	8/1991	Fitzpatrick	482/112

1 Claim, 6 Drawing Sheets



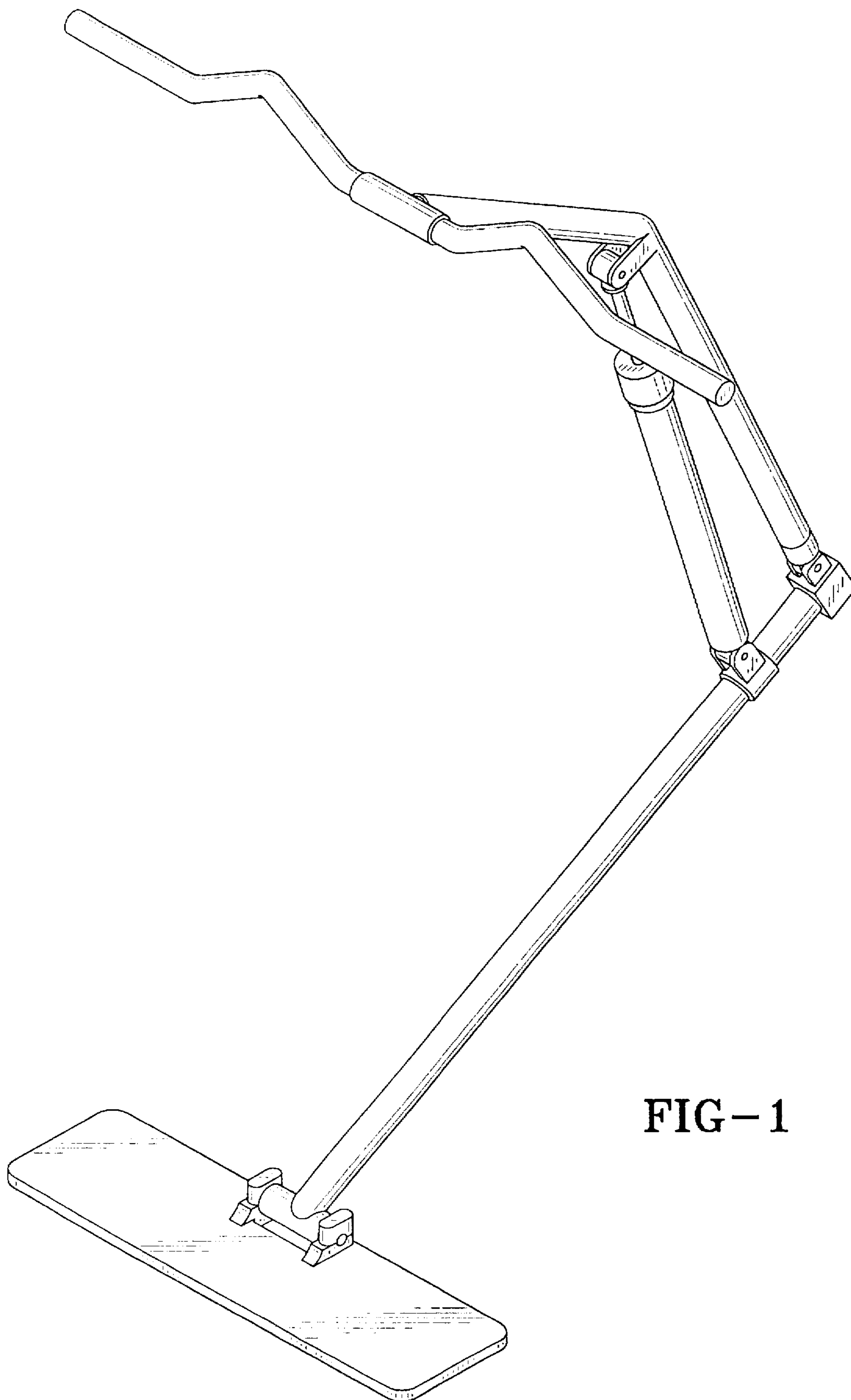


FIG-1

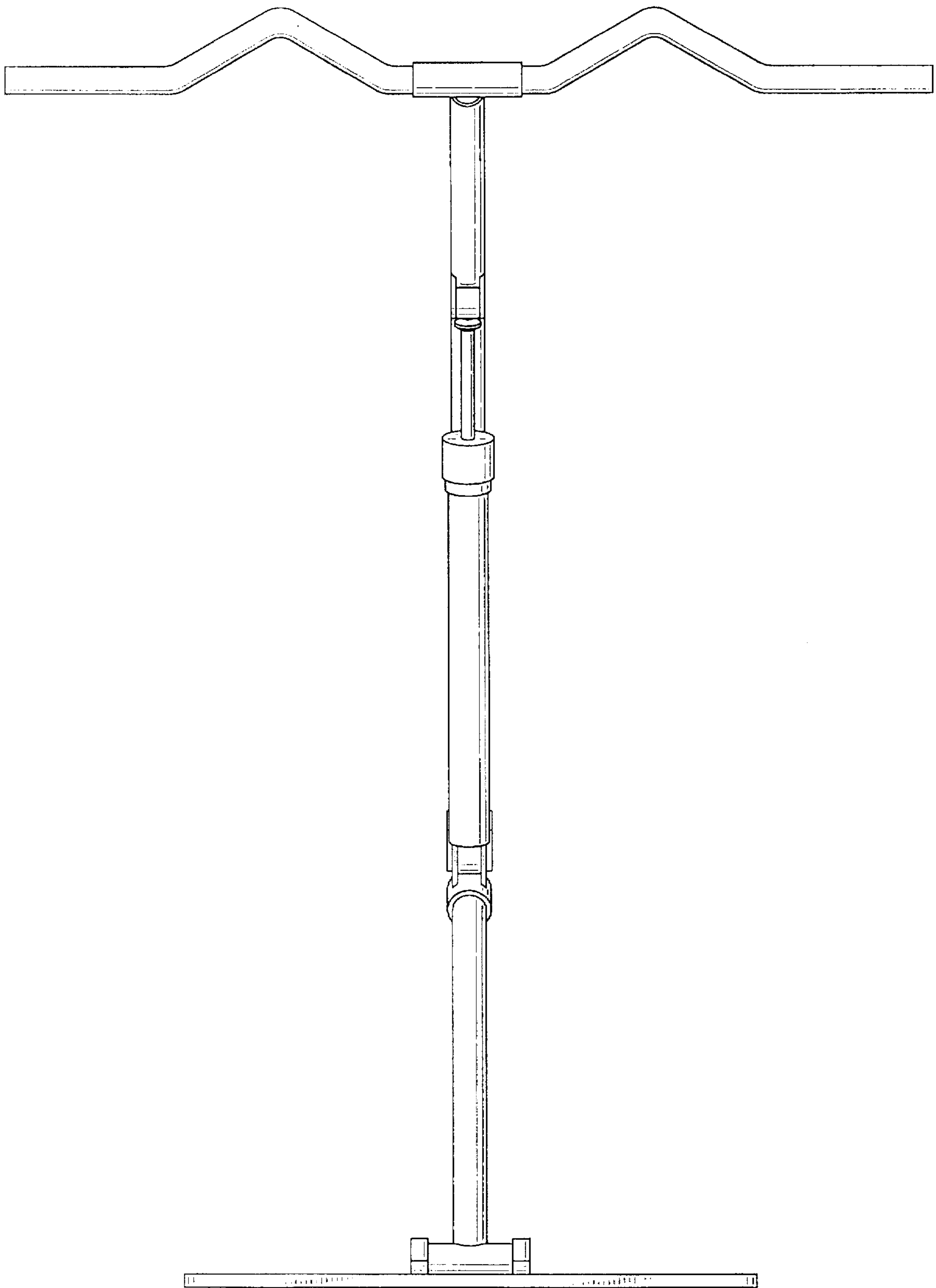


FIG-2

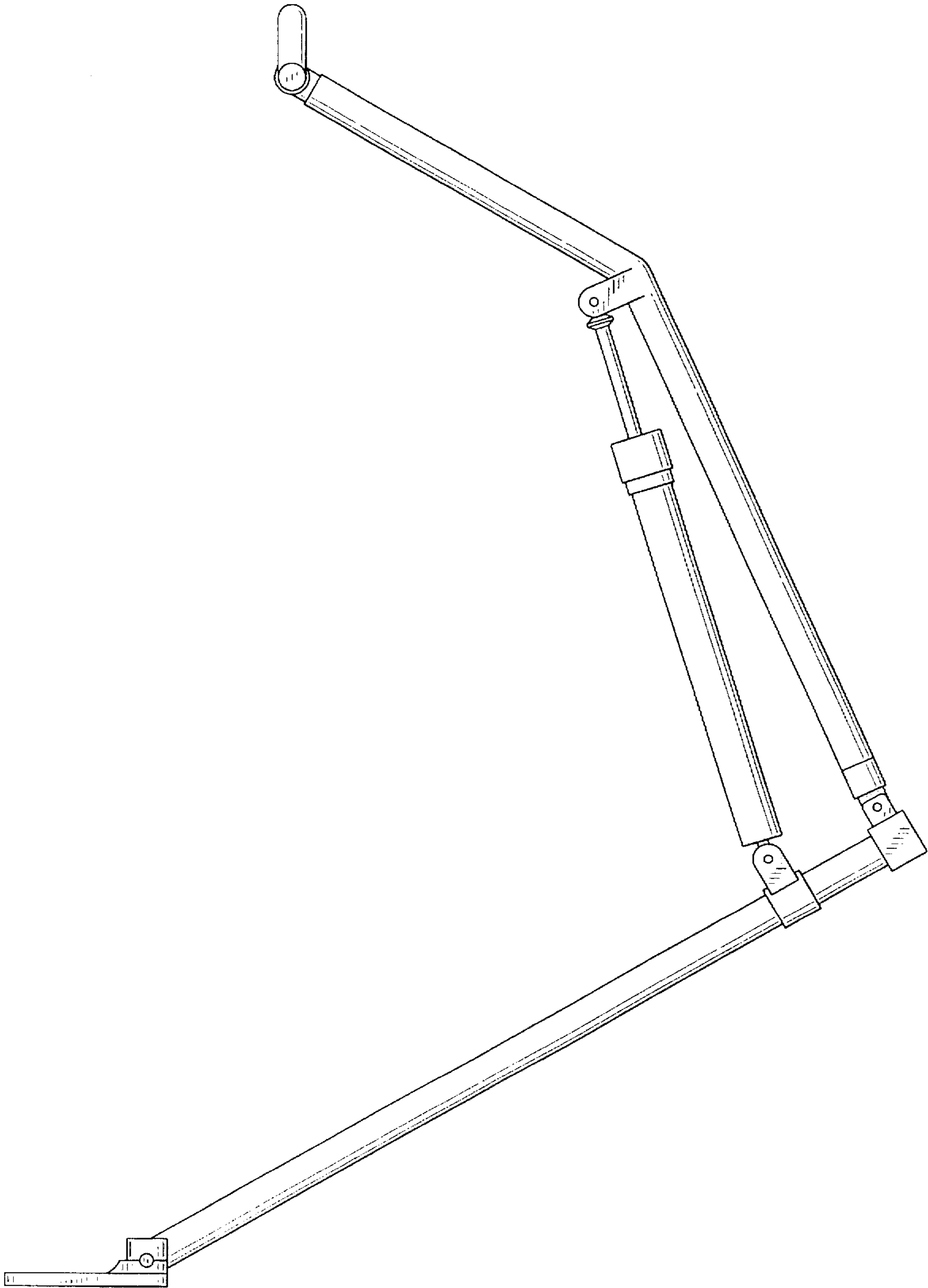


FIG-3

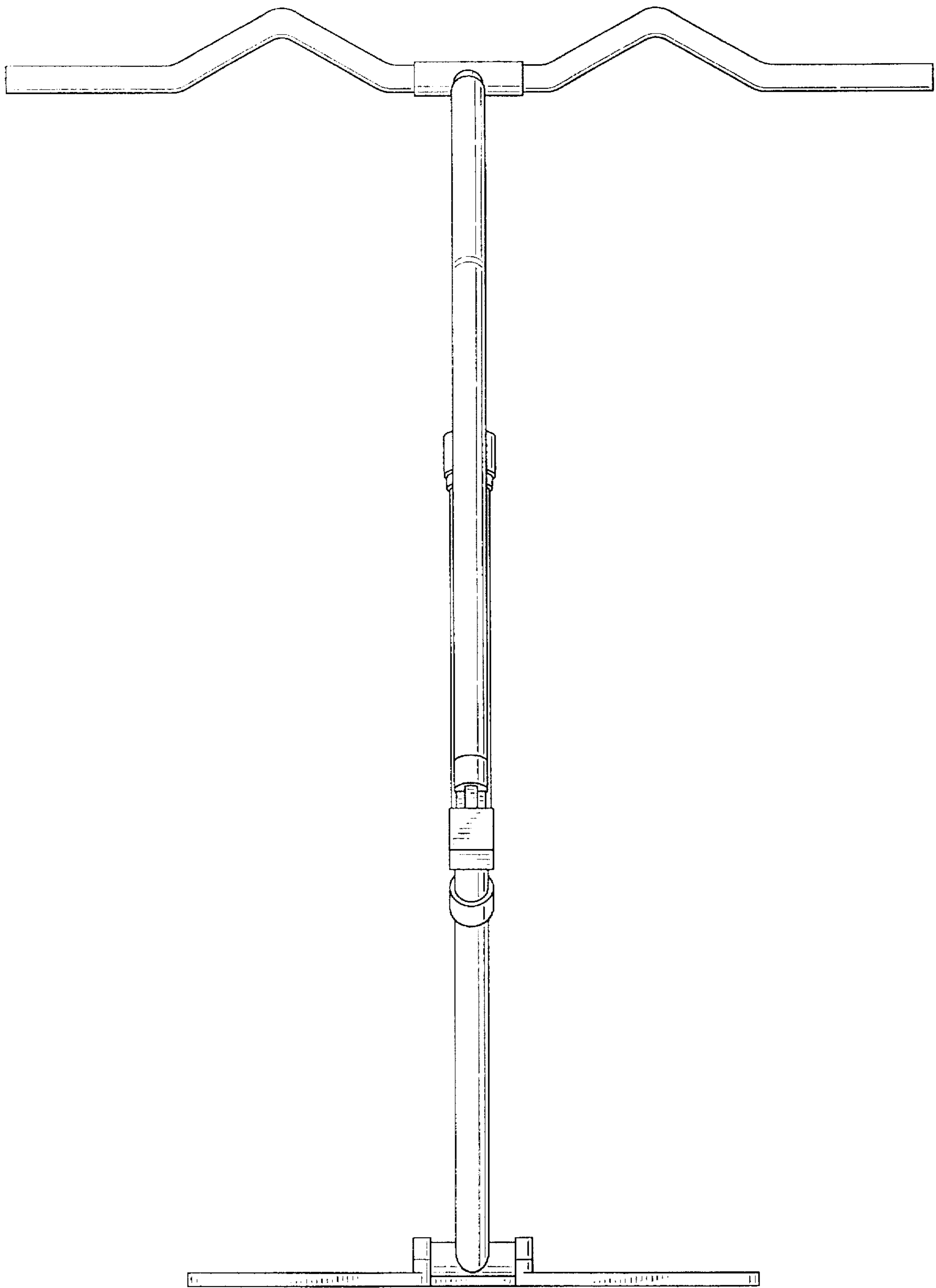


FIG-4

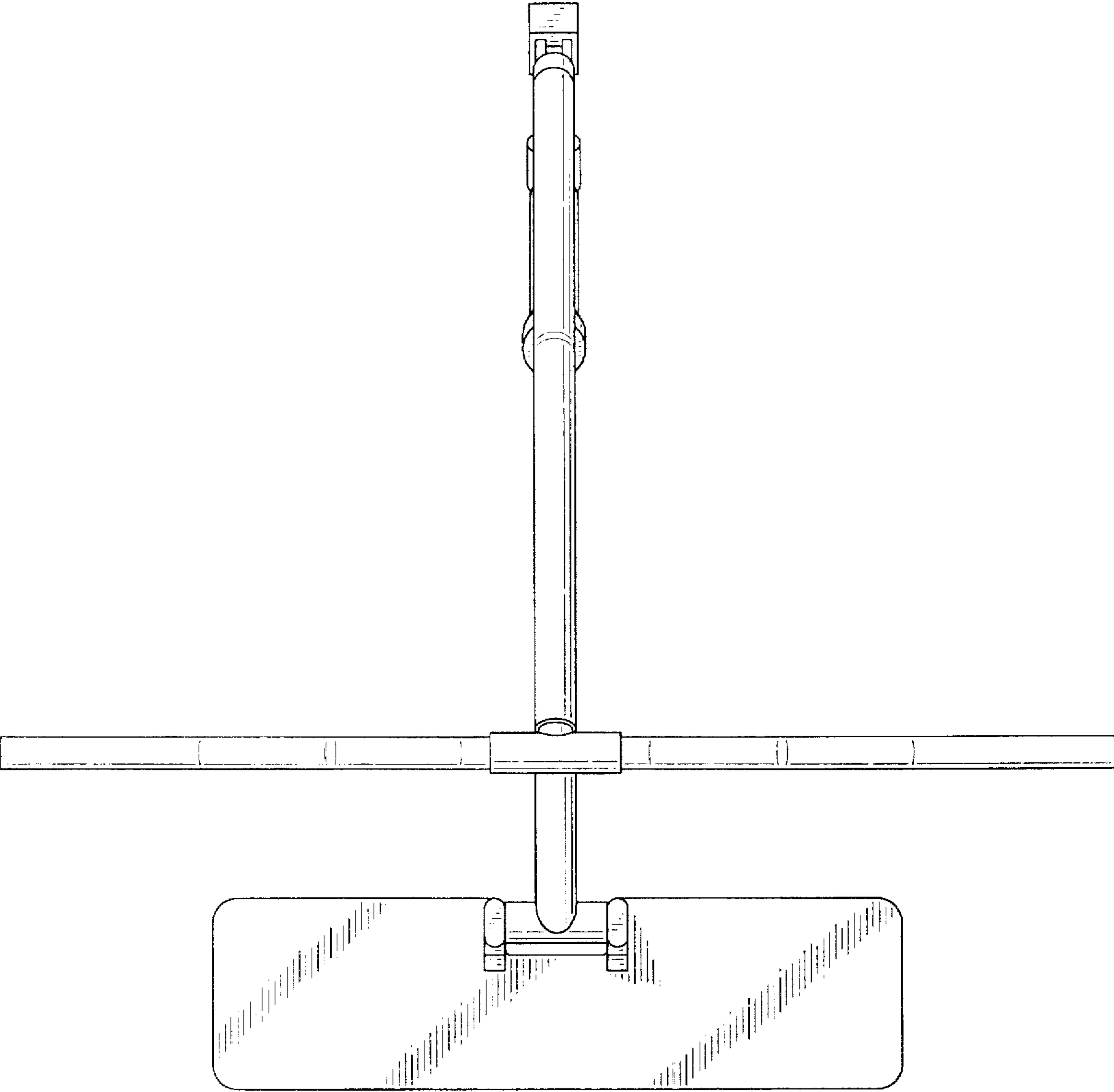


FIG-5

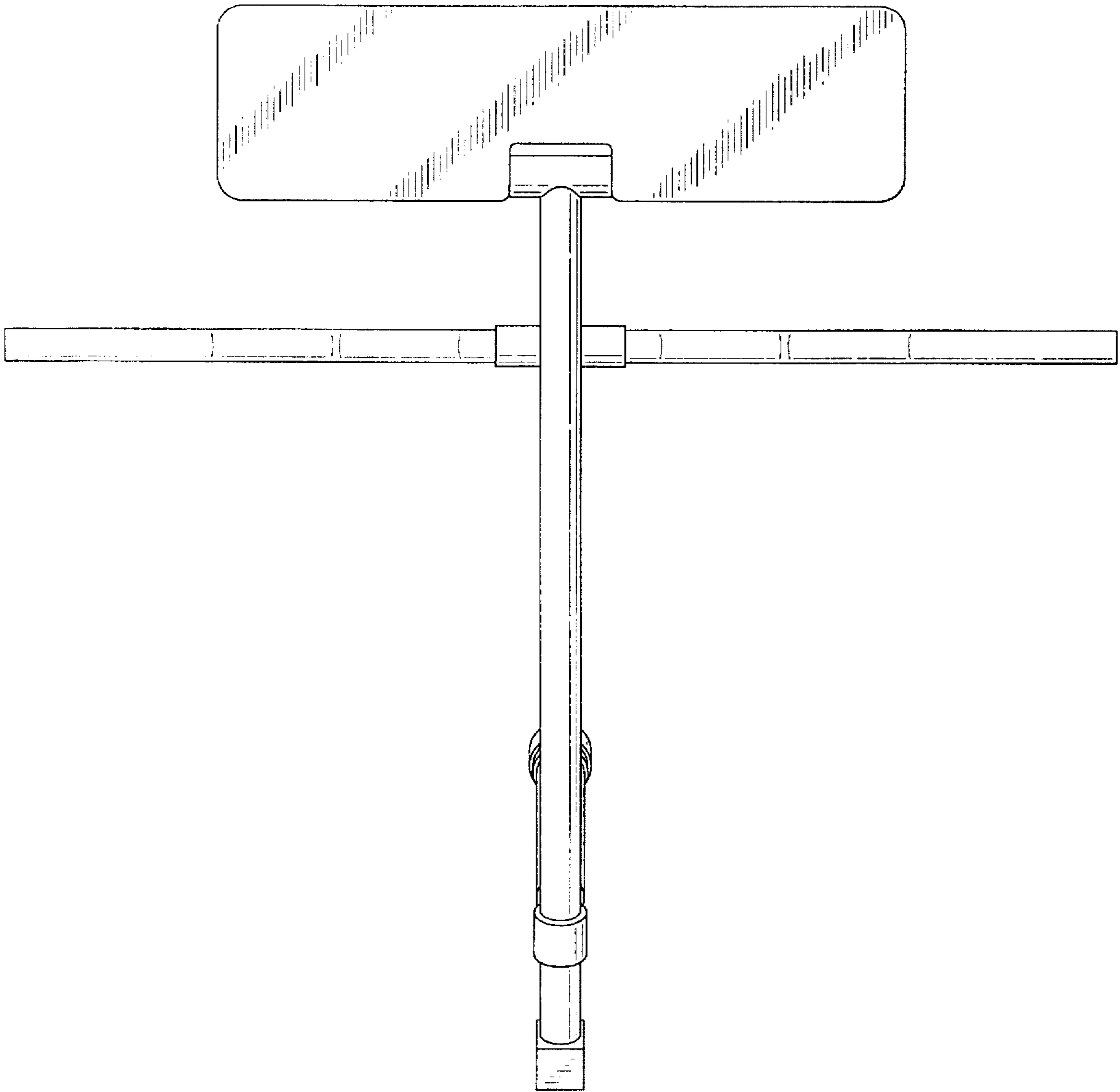


FIG-6