



US00D394476S

United States Patent [19]
Blumenthal

[11] **Patent Number: Des. 394,476**

[45] **Date of Patent: **May 19, 1998**

[54] **TOY GARAGE**

4,433,504 2/1984 Terui 446/75
4,527,688 7/1985 Jones et al. 446/76
5,441,435 8/1995 Shiraishi 446/476

[76] **Inventor: Martin Blumenthal**, 99 Longview Ave., Chatham, N.J. 07928

[**] **Term: 14 Years**

Primary Examiner—Raphael Barkai
Attorney, Agent, or Firm—Amster, Rothstein & Ebenstein

[21] **Appl. No.: 66,750**

[57] **CLAIM**

[22] **Filed: Feb. 20, 1997**

The ornamental design for a toy garage, as shown and described.

[51] **LOC (6) Cl. 21-01**

DESCRIPTION

[52] **U.S. Cl. D21/118**

[58] **Field of Search** D21/59, 109, 114-119, D21/242-244, 128, 134, 143; D25/13, 19, 56; D3/274, 905; 446/423, 476, 478, 75, 76

FIG. 1 is a perspective view from the top, front and one side of a toy garage showing my new design;

FIG. 2 is a perspective view thereof from the top, back and the other side;

FIG. 3 is a front elevational view thereof;

FIG. 4 is a rear elevational view thereof;

FIG. 5 is a side elevational view thereof from the one side;

FIG. 6 is a side elevational view thereof from the other side;

FIG. 7 is a top plan view thereof; and,

FIG. 8 is a bottom plan view thereof.

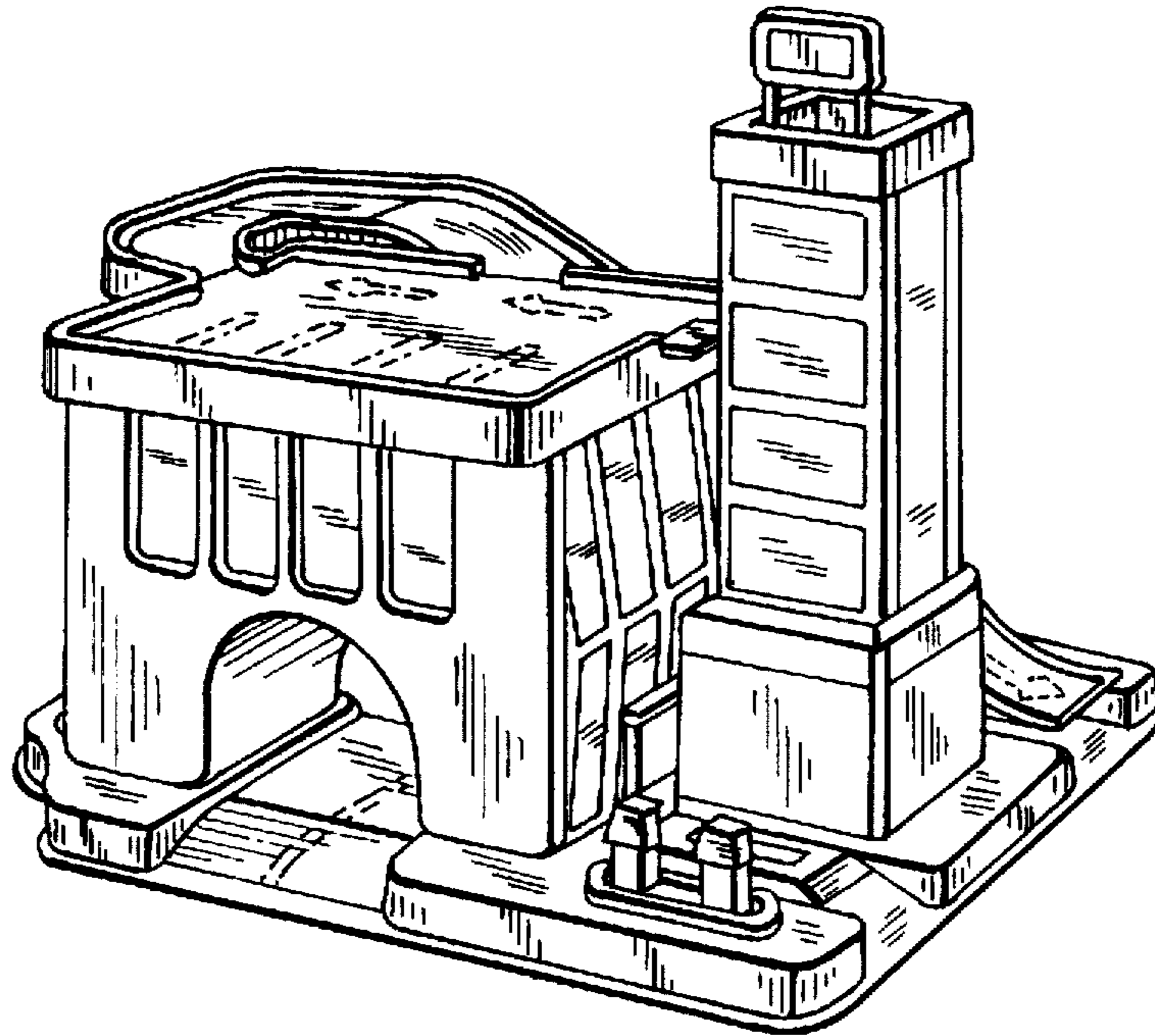
The broken lines appearing in FIGS. 1-7 form no part of the claimed design.

[56] **References Cited**

U.S. PATENT DOCUMENTS

D. 225,166	11/1972	Spengler	D21/118
D. 233,458	10/1974	Reiling	D21/119
D. 318,501	7/1991	Ngai	D21/143
D. 361,801	8/1995	Shiraishi	D21/118
D. 366,290	1/1996	Dieudonne	D21/118
4,068,402	1/1978	Tanaka	446/476

1 Claim, 8 Drawing Sheets



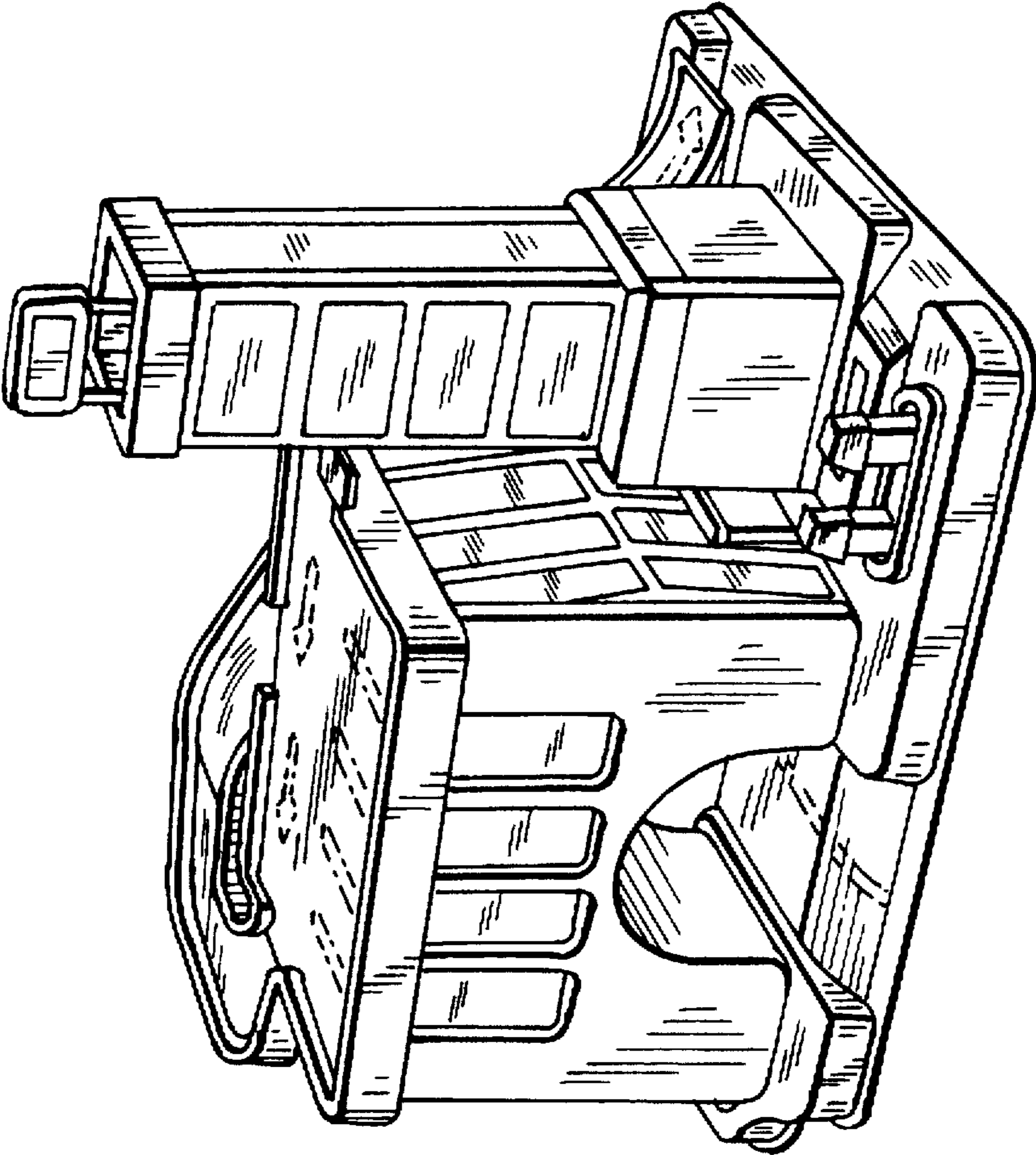


FIG. 1

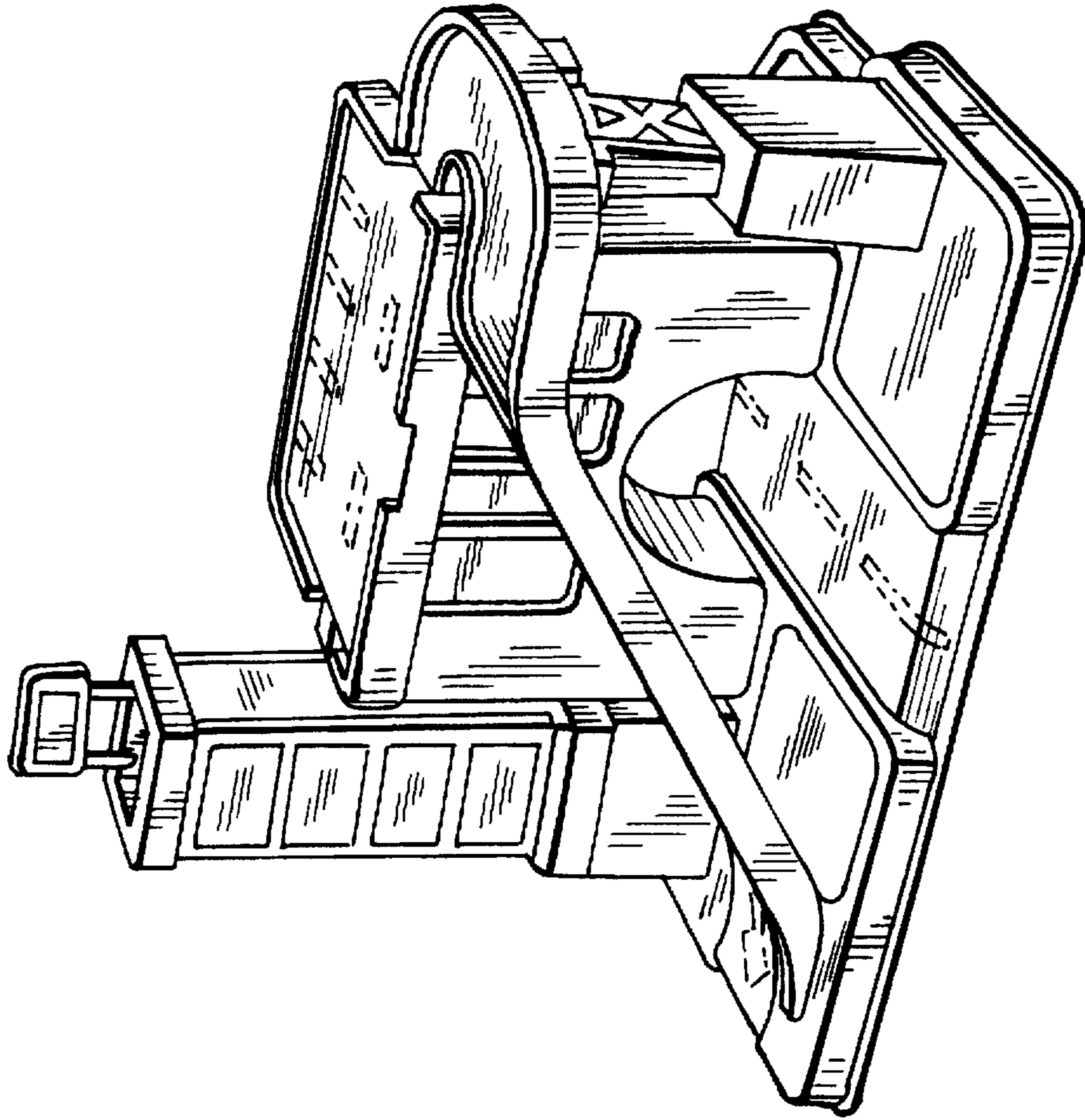


FIG. 2

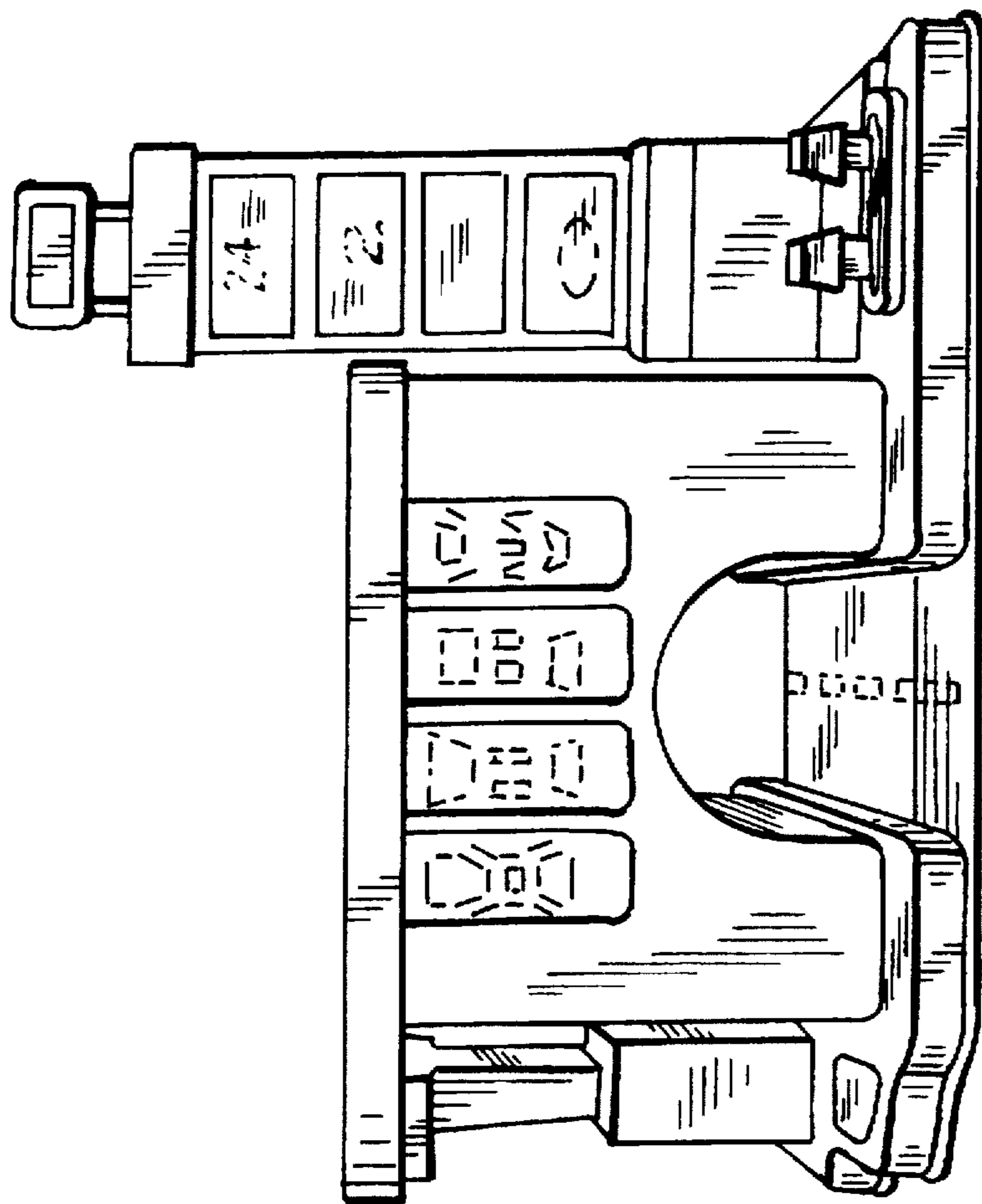


FIG. 3

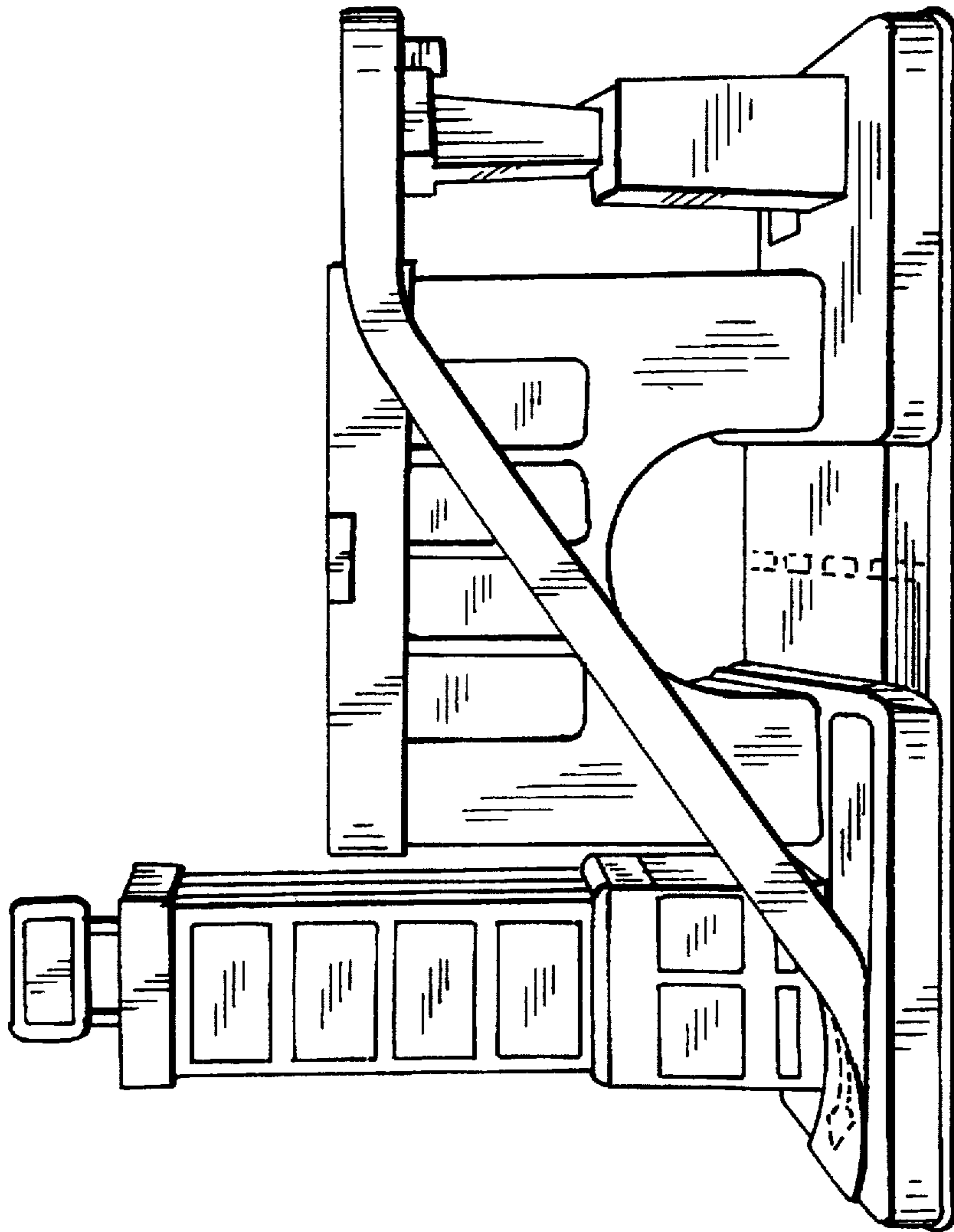


FIG. 4

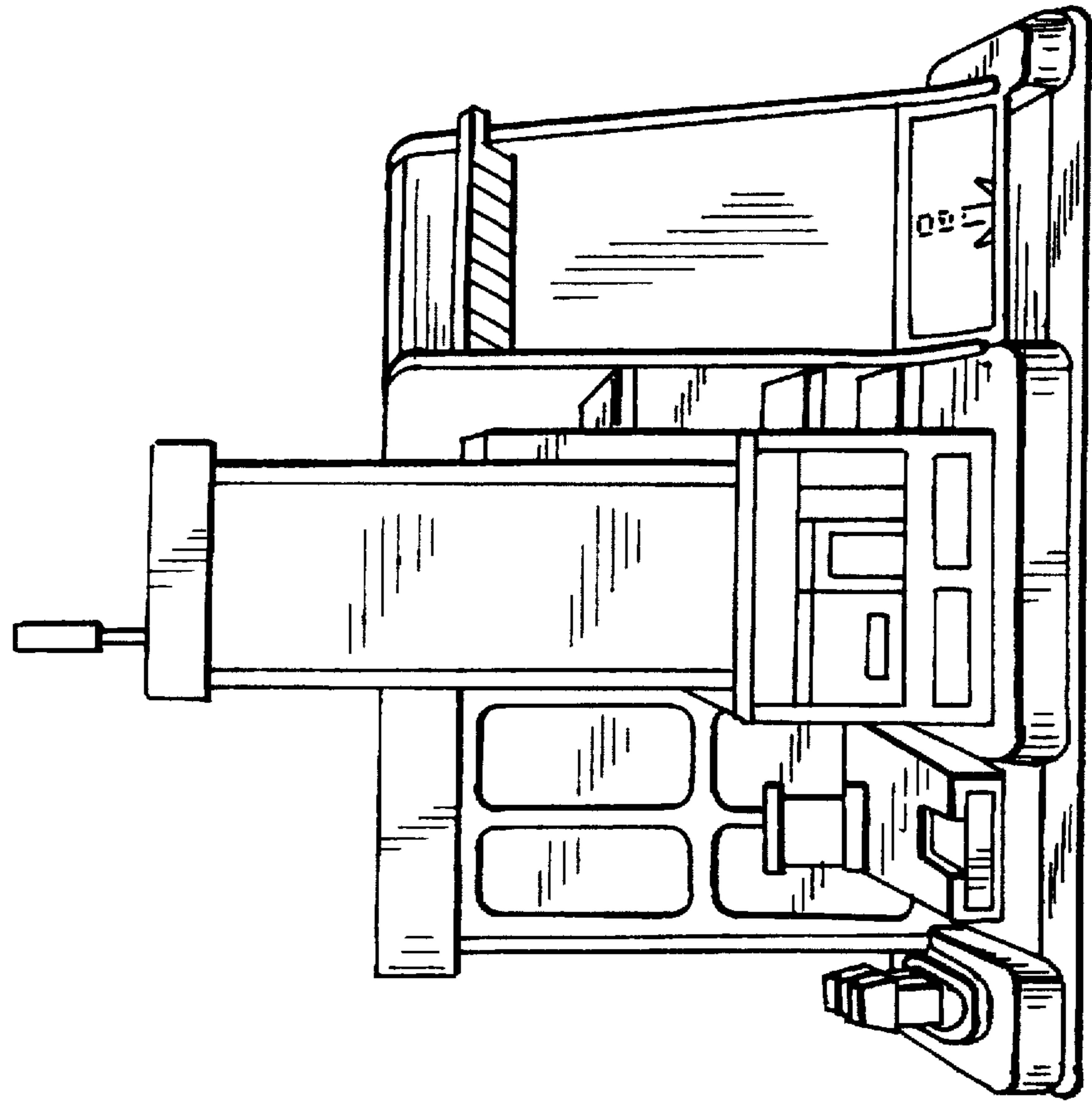
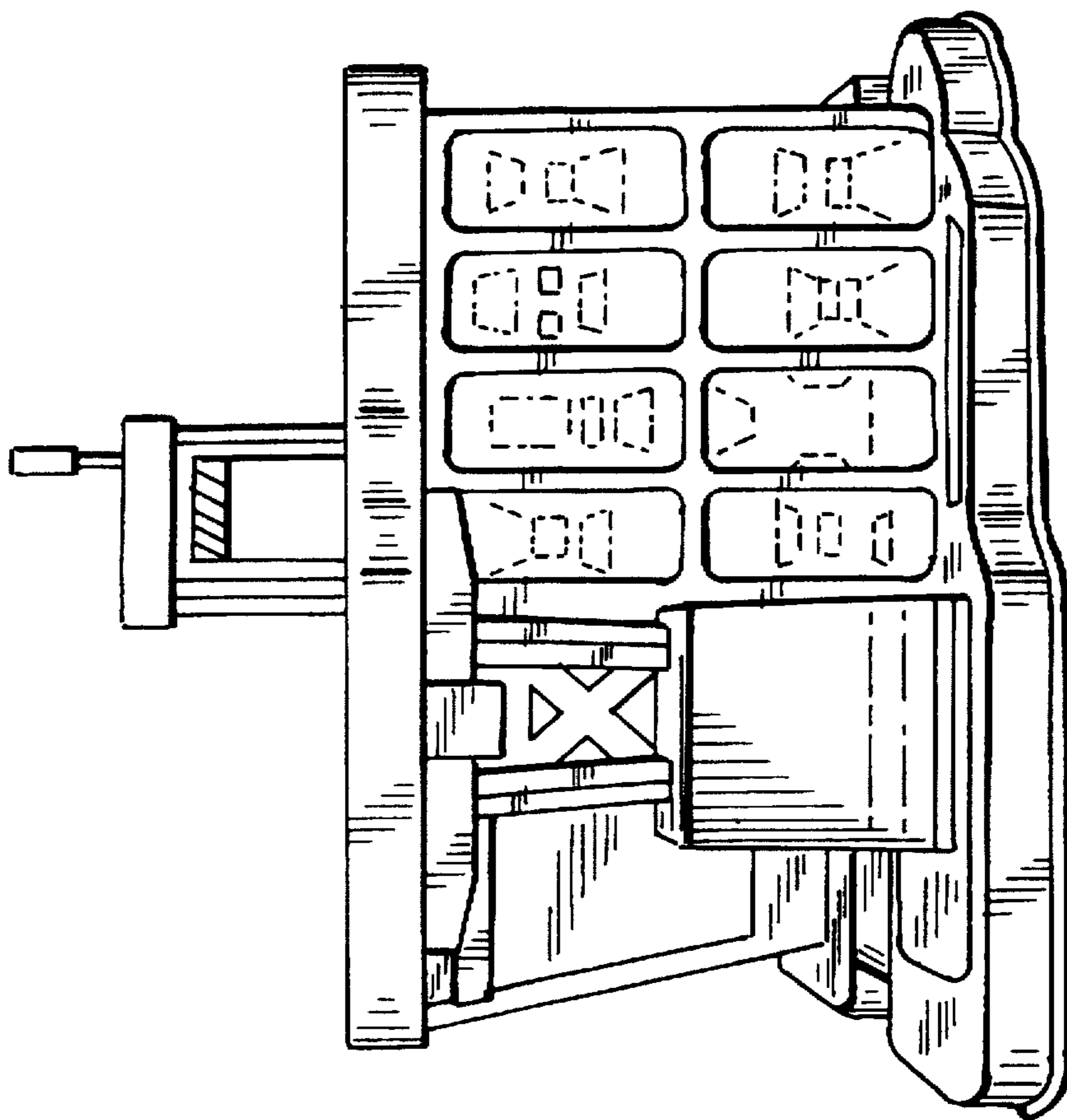


FIG. 5

FIG. 6



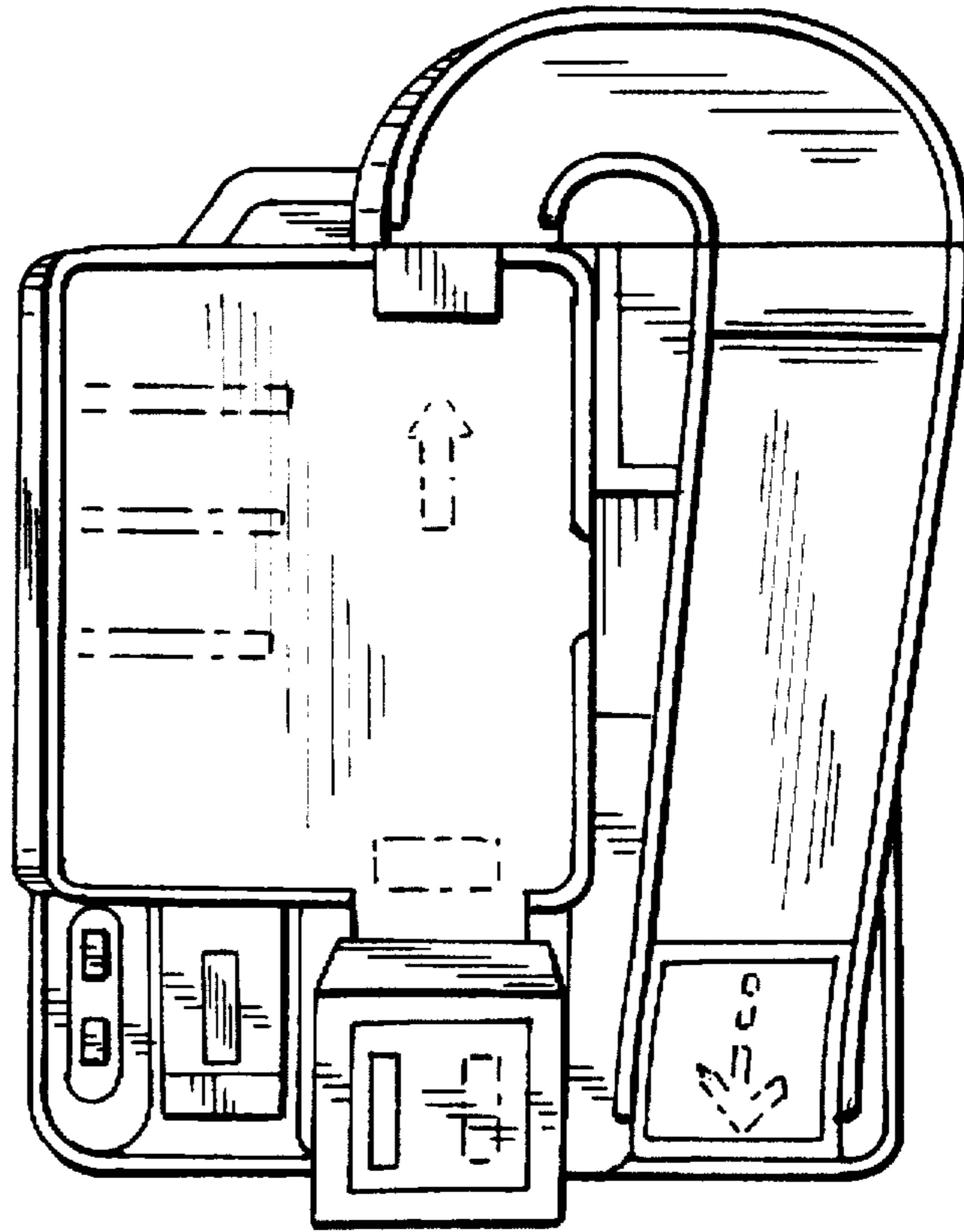


FIG. 7

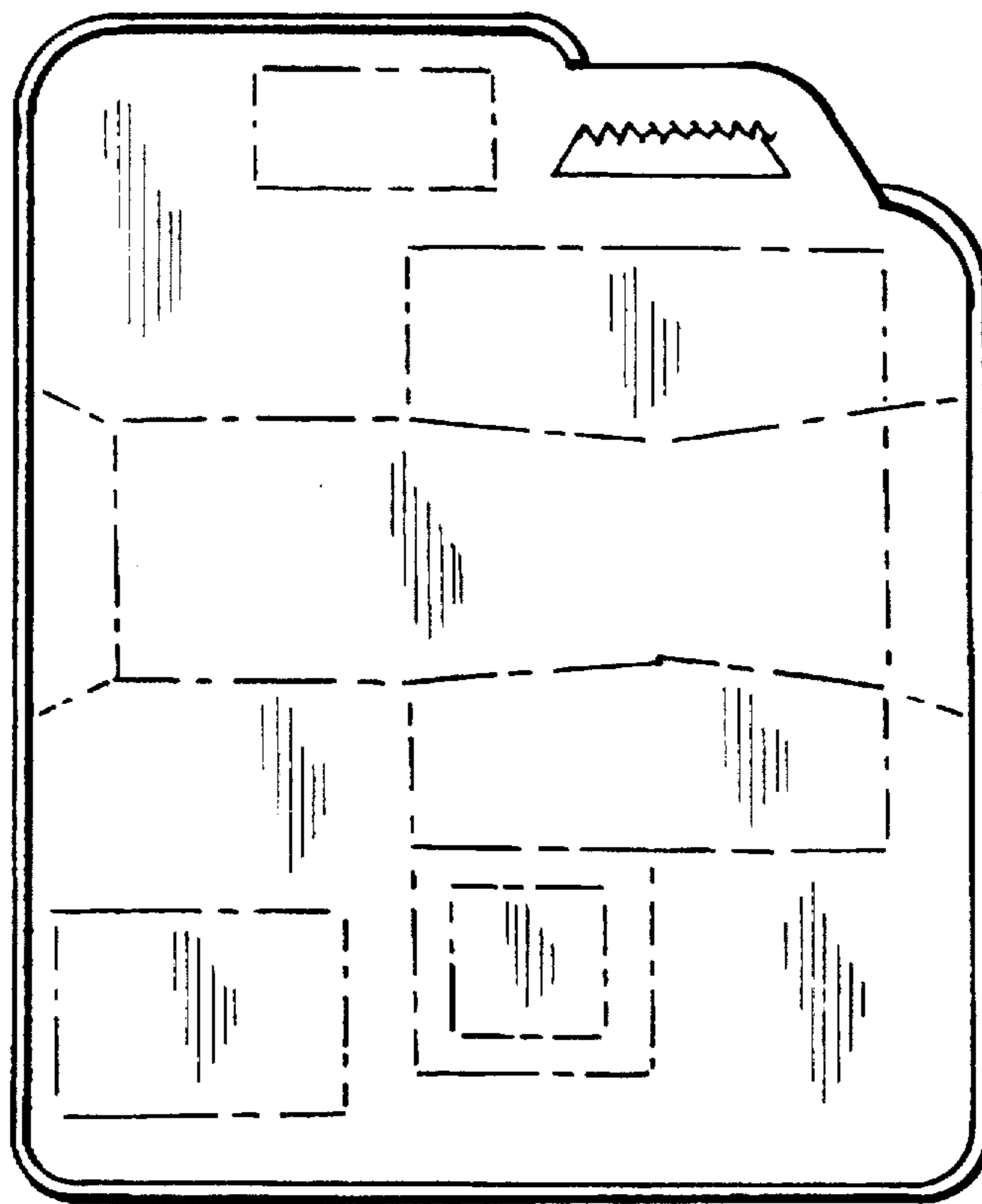


FIG. 8