



US00D394474S

**United States Patent** [19]  
**Horne**

[11] **Patent Number: Des. 394,474**  
[45] **Date of Patent: \*\*May 19, 1998**

[54] **INFLATABLE WORK TENT**

[76] **Inventor: James L. Horne, P.O. Box 1035, Battleground, Wash. 98604**

[\*\*] **Term: 14 Years**

[21] **Appl. No.: 51,290**

[22] **Filed: Mar. 8, 1996**

[51] **LOC (6) Cl. .... 21-04**

[52] **U.S. Cl. .... D21/253**

[58] **Field of Search .... D21/253-255; 135/99, 123-126, 128, 139, 115, 117, 900-902, 143**

[56] **References Cited**

**U.S. PATENT DOCUMENTS**

D. 336,505	6/1993	Danaher	.....	D21/253
4,198,996	4/1980	Keable et al.	.....	135/128
4,794,717	1/1989	Horsmann	.....	135/901
5,031,652	7/1991	Lester	.....	135/139
5,343,887	9/1994	Danaher	.....	135/126

**OTHER PUBLICATIONS**

Compmor Catalog, p. 8. Windy Pass Mayfly, bottom right, Jul. 1989.

*Primary Examiner*—Sandra L. Morris

[57] **CLAIM**

The ornamental design for an inflatable work tent, as shown.

**DESCRIPTION**

FIG. 1 is a perspective view of an inflatable work tent, showing my new design, the broken line showing of a pipe is for illustrative purposes only, and forms no part of the claimed design;

FIG. 2 is a top view;

FIG. 3 is a right side view;

FIG. 4 is a front view. The back view is a mirror image;

FIG. 5 is a left side view; and,

FIG. 6 is a bottom view.

**1 Claim, 1 Drawing Sheet**

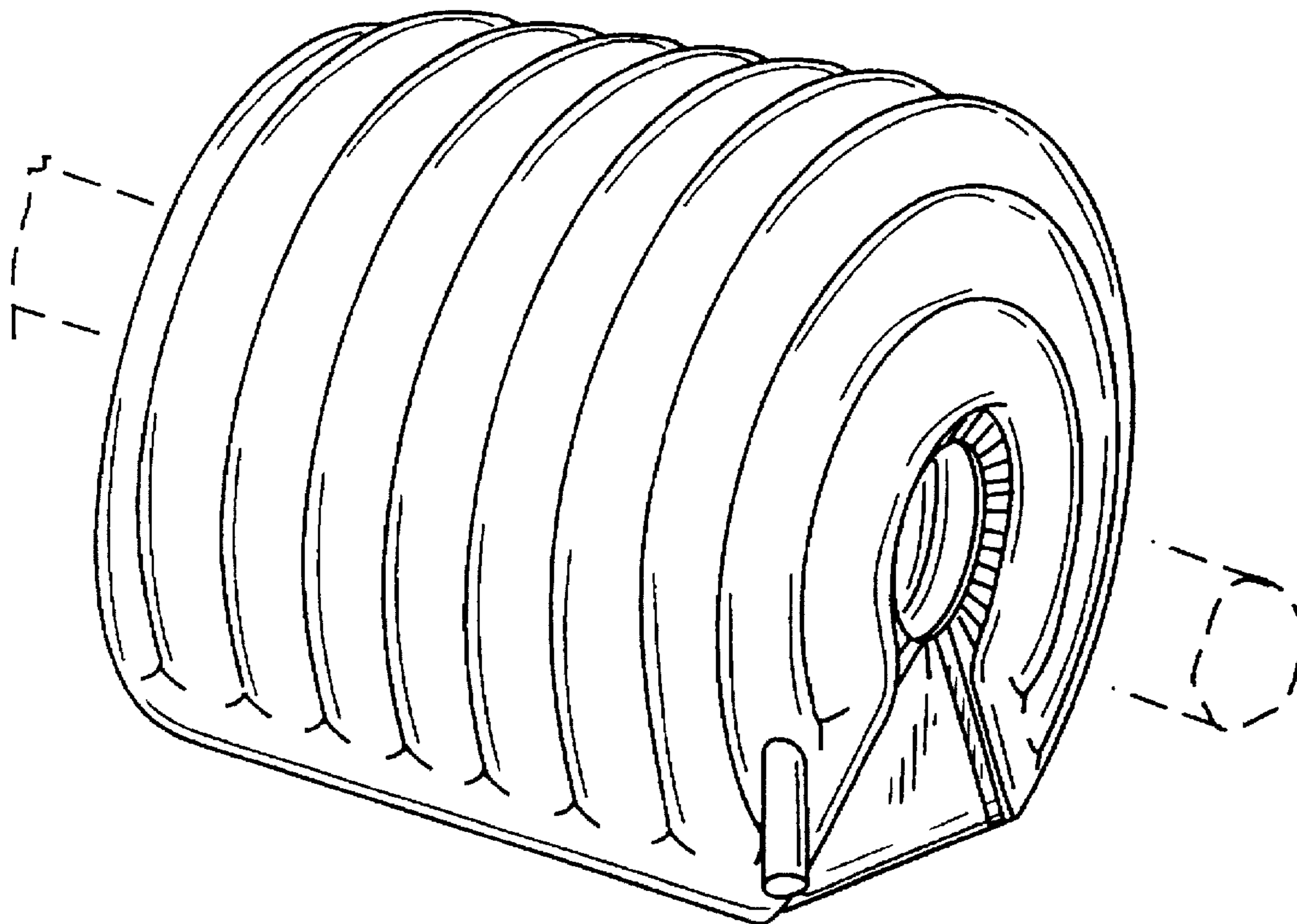


FIG. 1

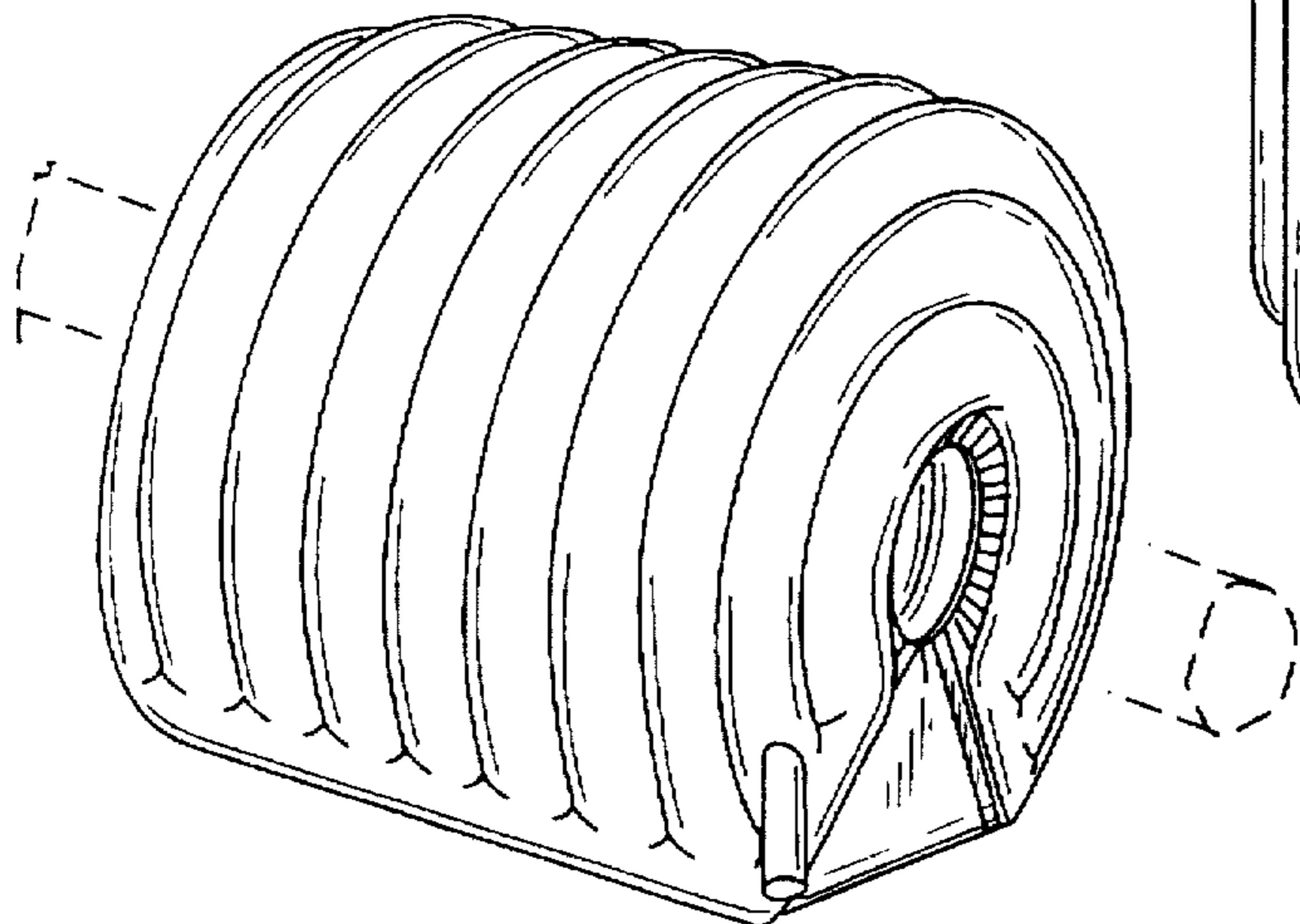


FIG. 2

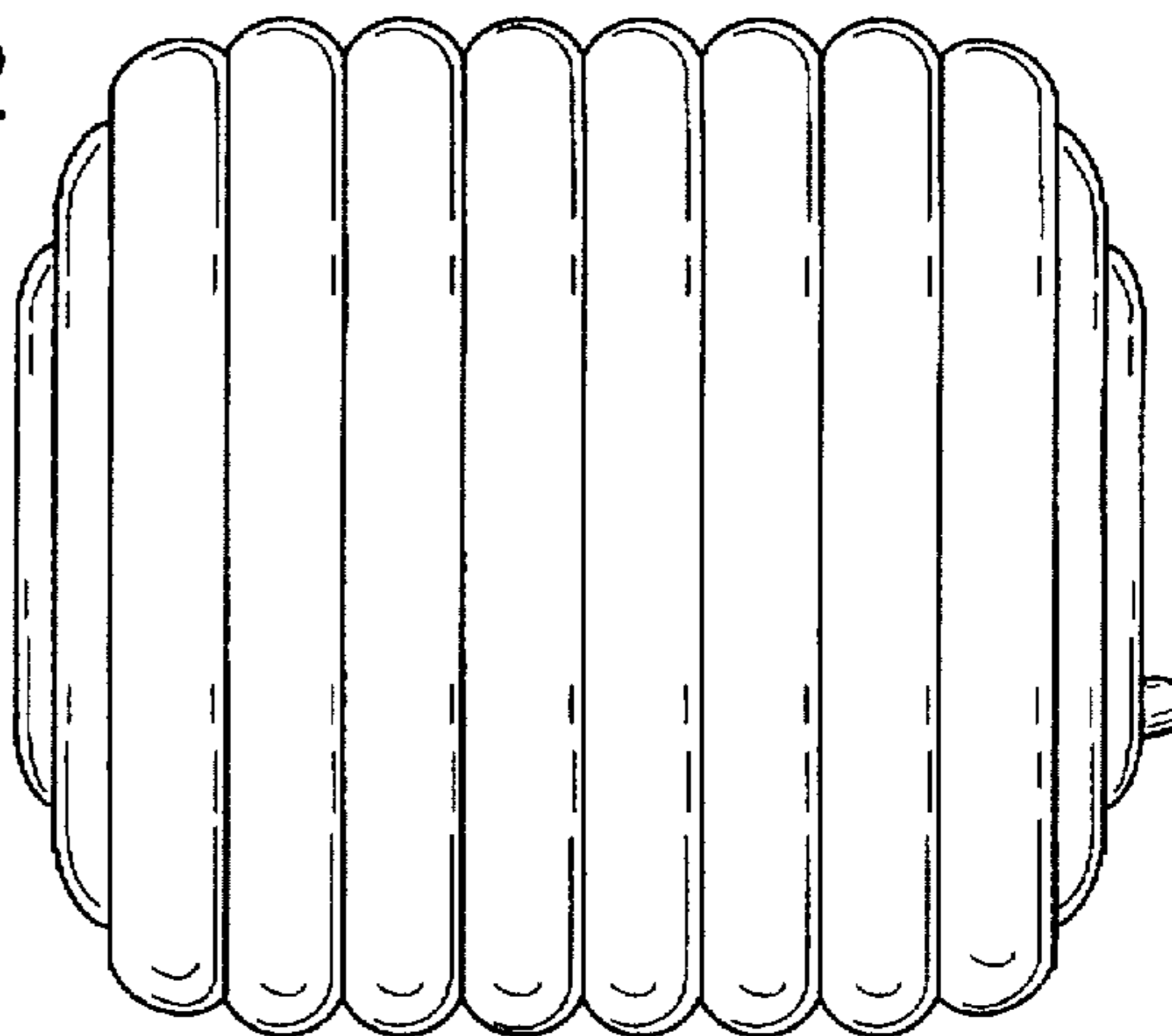


FIG. 3

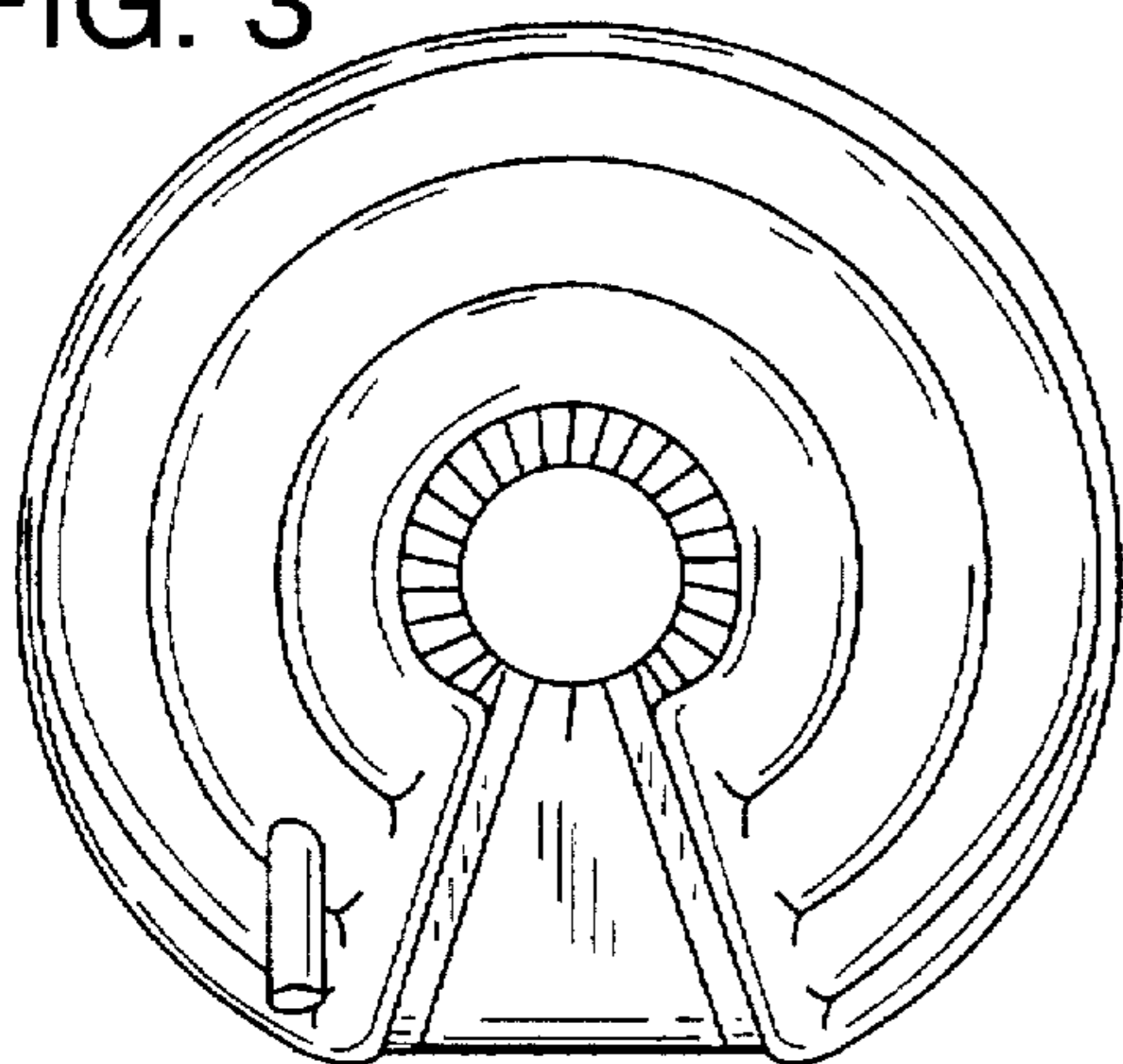


FIG. 4

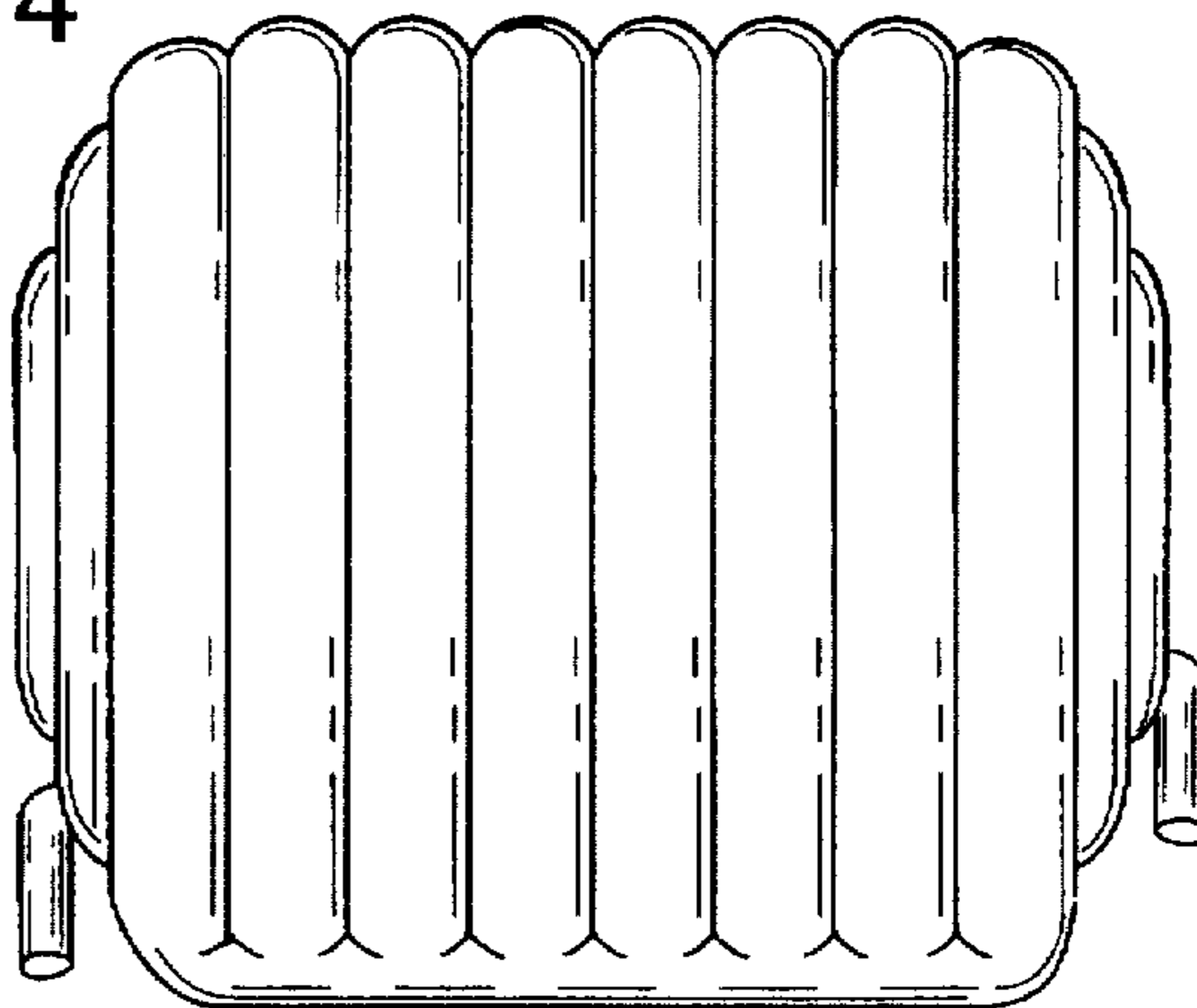


FIG. 5

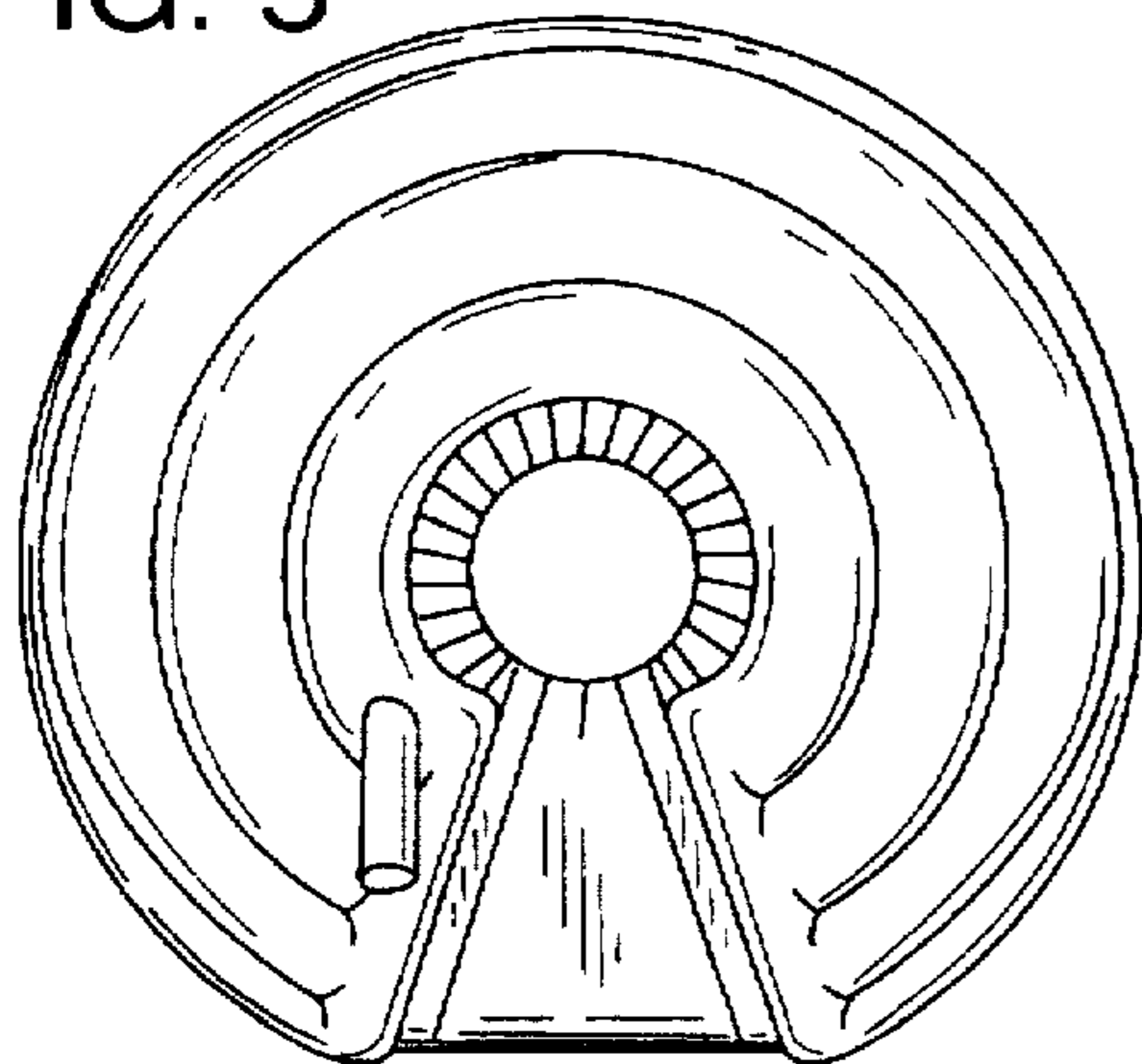


FIG. 6

