



US00D394471S

**United States Patent** [19]  
**Frederiksen**

[11] **Patent Number: Des. 394,471**

[45] **Date of Patent: \*\*May 19, 1998**

[54] **TOY BIKE**

4,571,203 2/1986 Murakami ..... 446/93

[75] **Inventor: Søren Frederiksen, Copenhagen, Denmark**

[73] **Assignee: INTERLEGO AG, Baar, Switzerland**

[\*\*] **Term: 14 Years**

[21] **Appl. No.: 76,851**

[22] **Filed: Sep. 18, 1997**

[51] **LOC (6) Cl. .... 21-01**

[52] **U.S. Cl. .... D21/108; D21/134**

[58] **Field of Search .... D21/71-81, 108, D21/109, 128, 134, 137, 141; D12/112, 110-111; 446/88, 93-96, 102, 103, 120, 121, 124, 125, 128, 440, 454, 456, 465, 468-471; 280/87.01, 87.021, 1.13, 828**

[56] **References Cited**

**U.S. PATENT DOCUMENTS**

D. 344,305	2/1994	Berggreen	.....	D21/108
D. 344,552	2/1994	Berggreen	.....	D21/108
3,161,986	12/1964	Stubbmann et al.	.....	446/93
3,740,895	6/1973	Nagasaka	.....	446/95
4,027,421	6/1977	Allen	.....	446/94

**OTHER PUBLICATIONS**

Toy Bike at lower right of page Playmobil p. 2 Catalog, 1995.

Toy Bike #3308 and #3223 Playmobil p. 34 Catalog, 1995. Lego Catalog. Toy Bike at bottom of page, 1990.

*Primary Examiner*—Raphael Barkai  
*Attorney, Agent, or Firm*—Kane, Dalsimer, Sullivan, Kurucz, Levy, Eisele and Richard, LLP

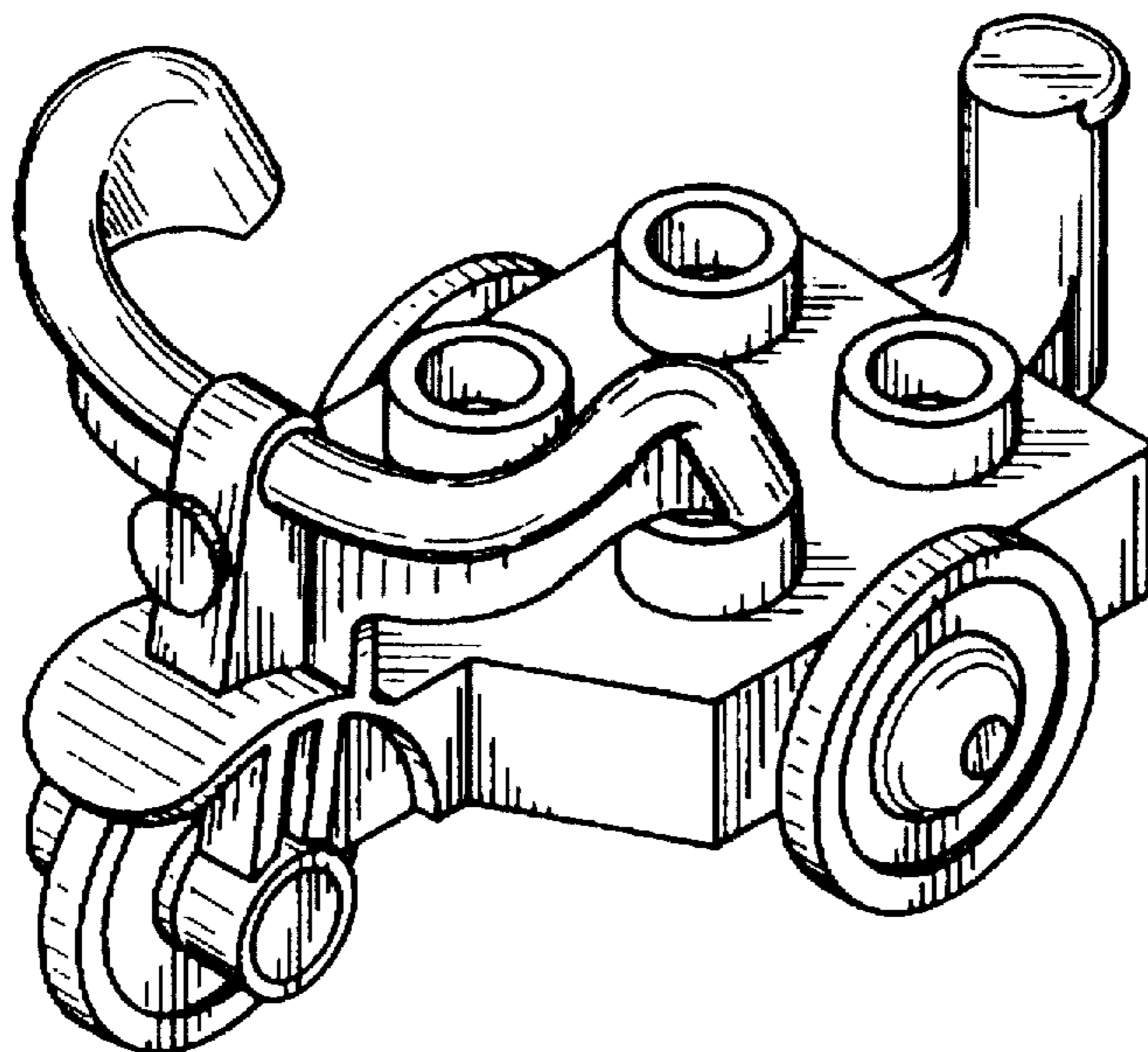
[57] **CLAIM**

The ornamental design for a toy bike, as shown and described.

**DESCRIPTION**

FIG. 1 is a top perspective view of the toy bike; FIG. 2 is a bottom perspective view thereof; FIG. 3 is a front elevational view thereof; FIG. 4 is a right side elevational view thereof; FIG. 5 is a left side elevational view thereof; FIG. 6 is a rear elevational view thereof; FIG. 7 is a bootom plan view thereof; and, FIG. 8 is a top plan view thereof.

**1 Claim, 3 Drawing Sheets**



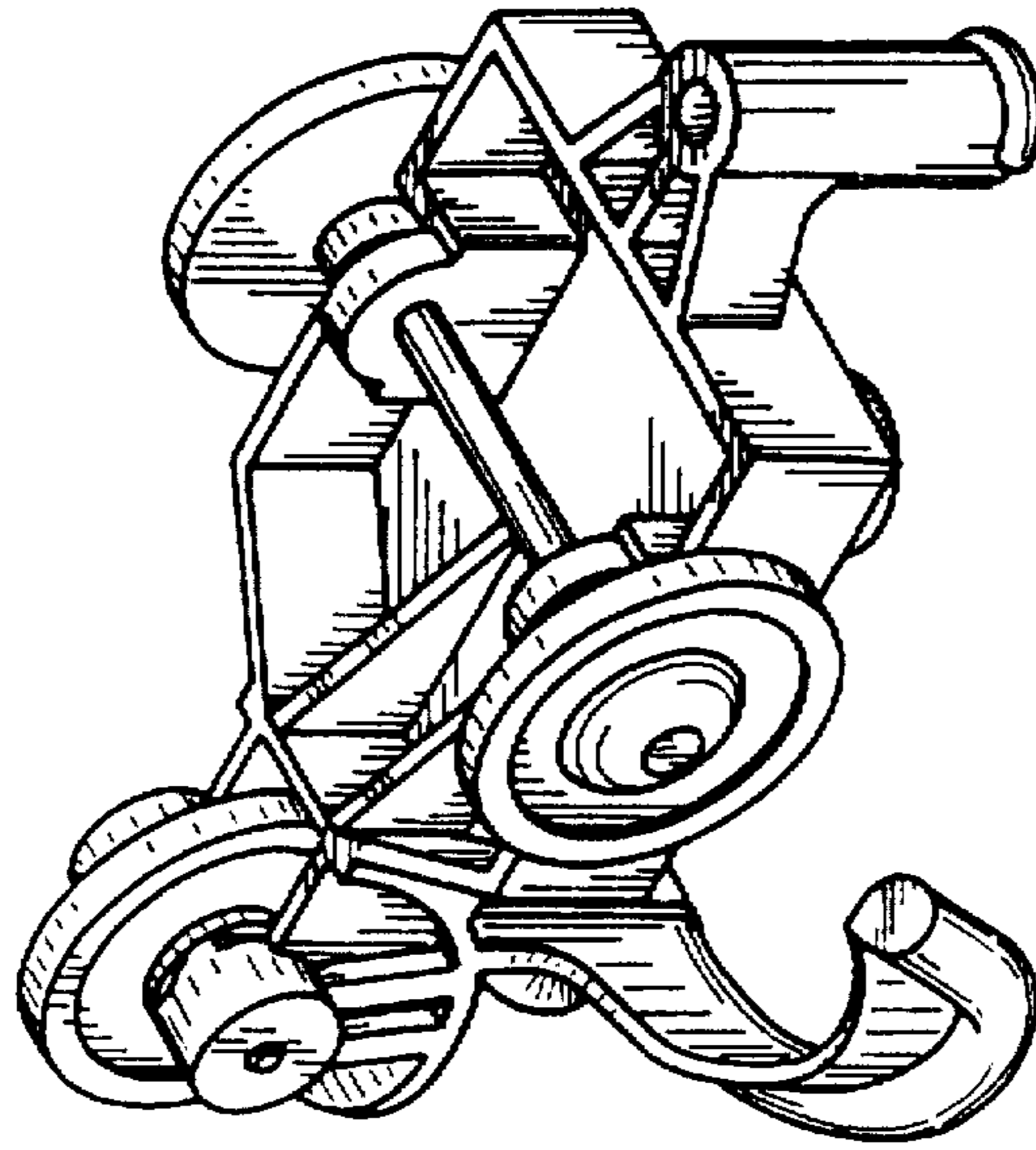


Fig. 2

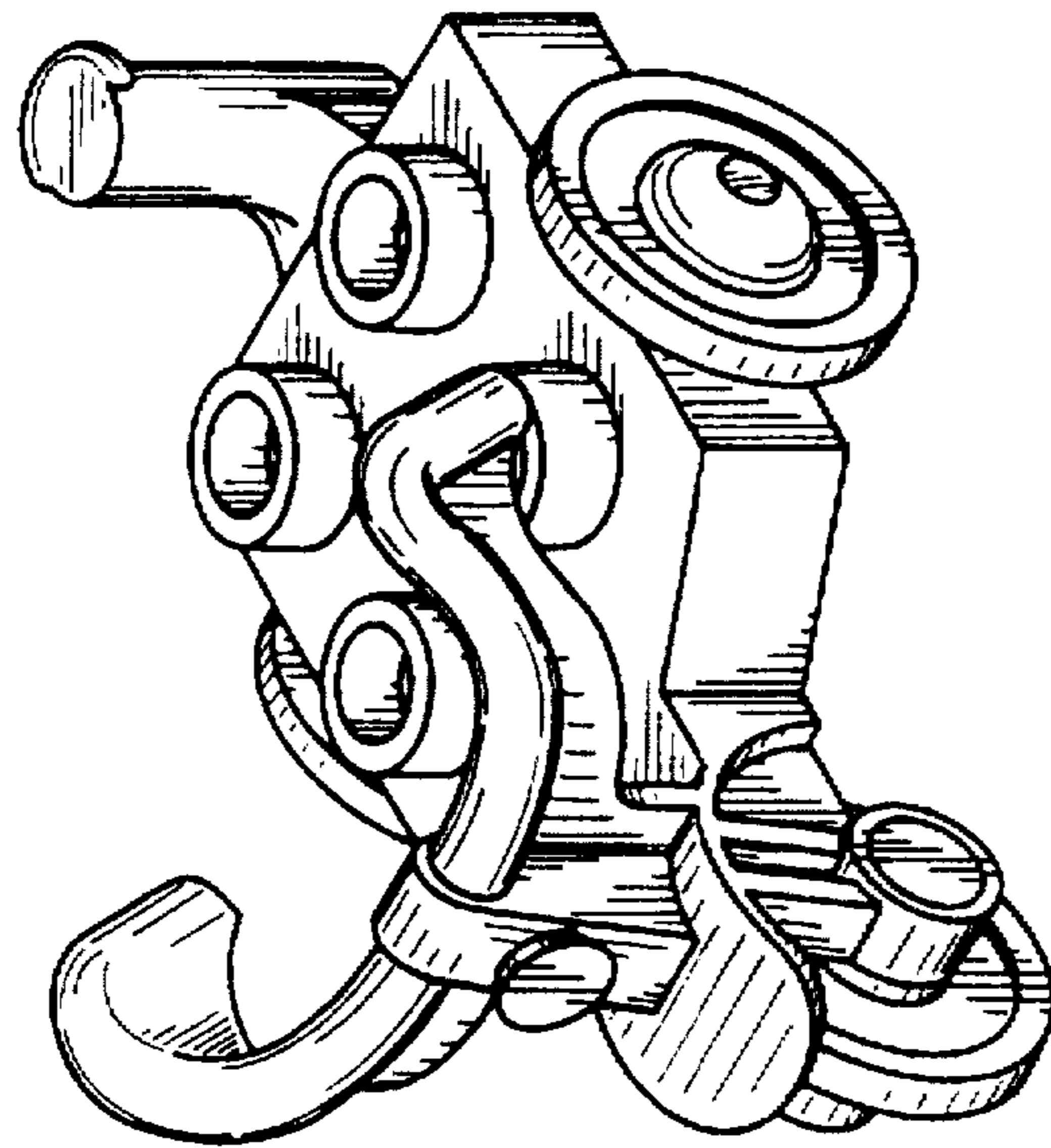


Fig. 1

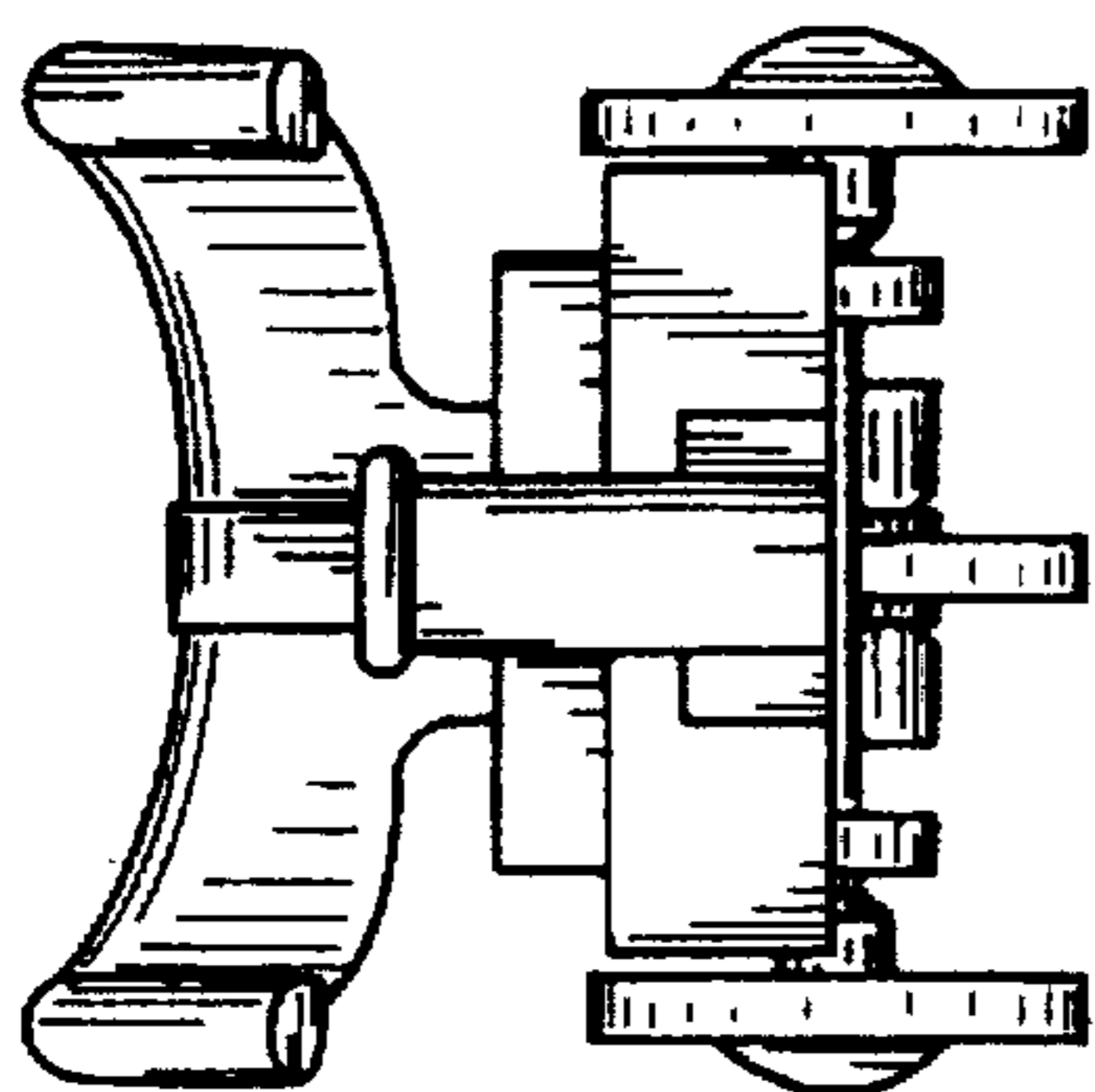


Fig. 3

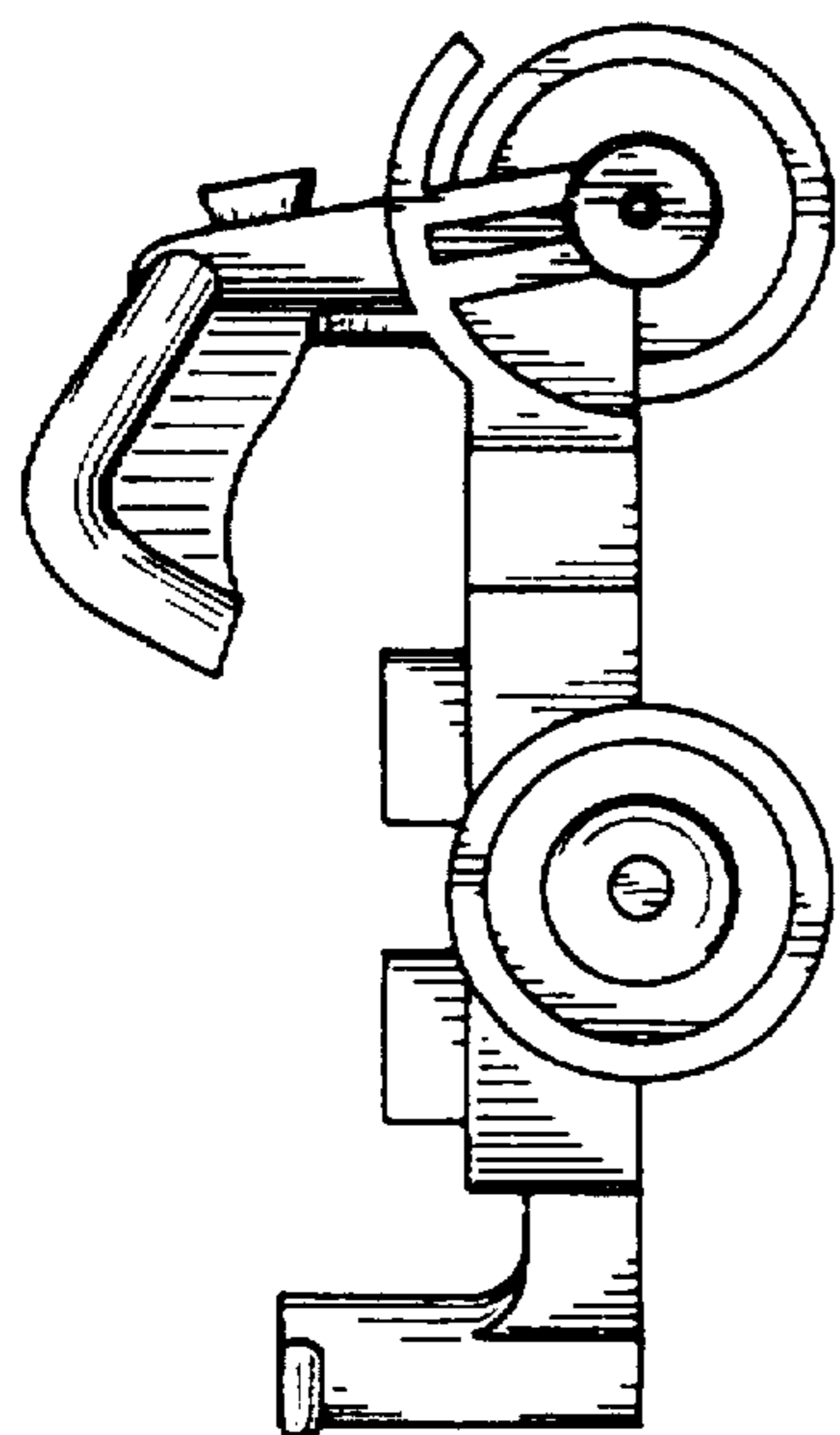


Fig. 5

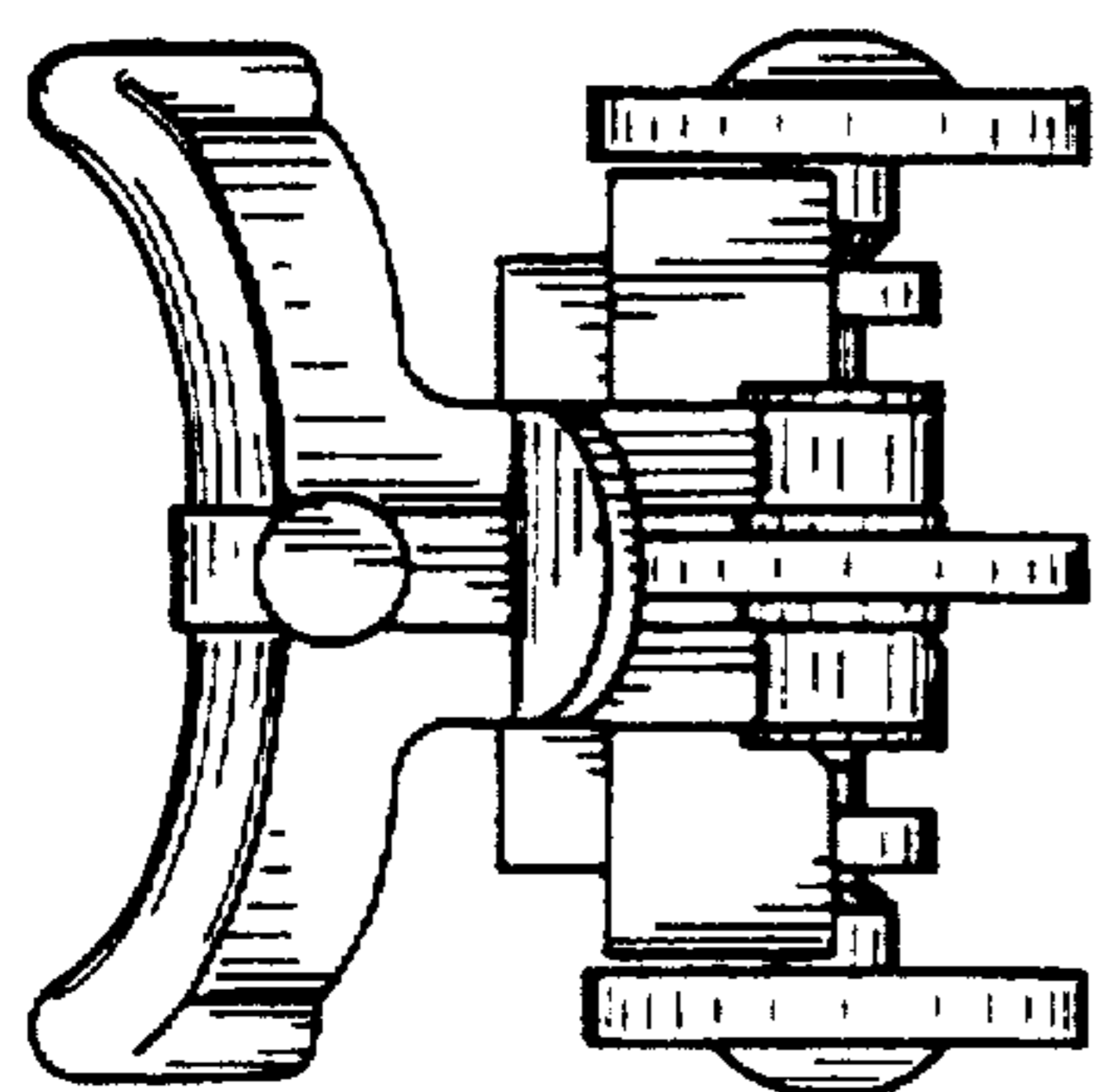


Fig. 6

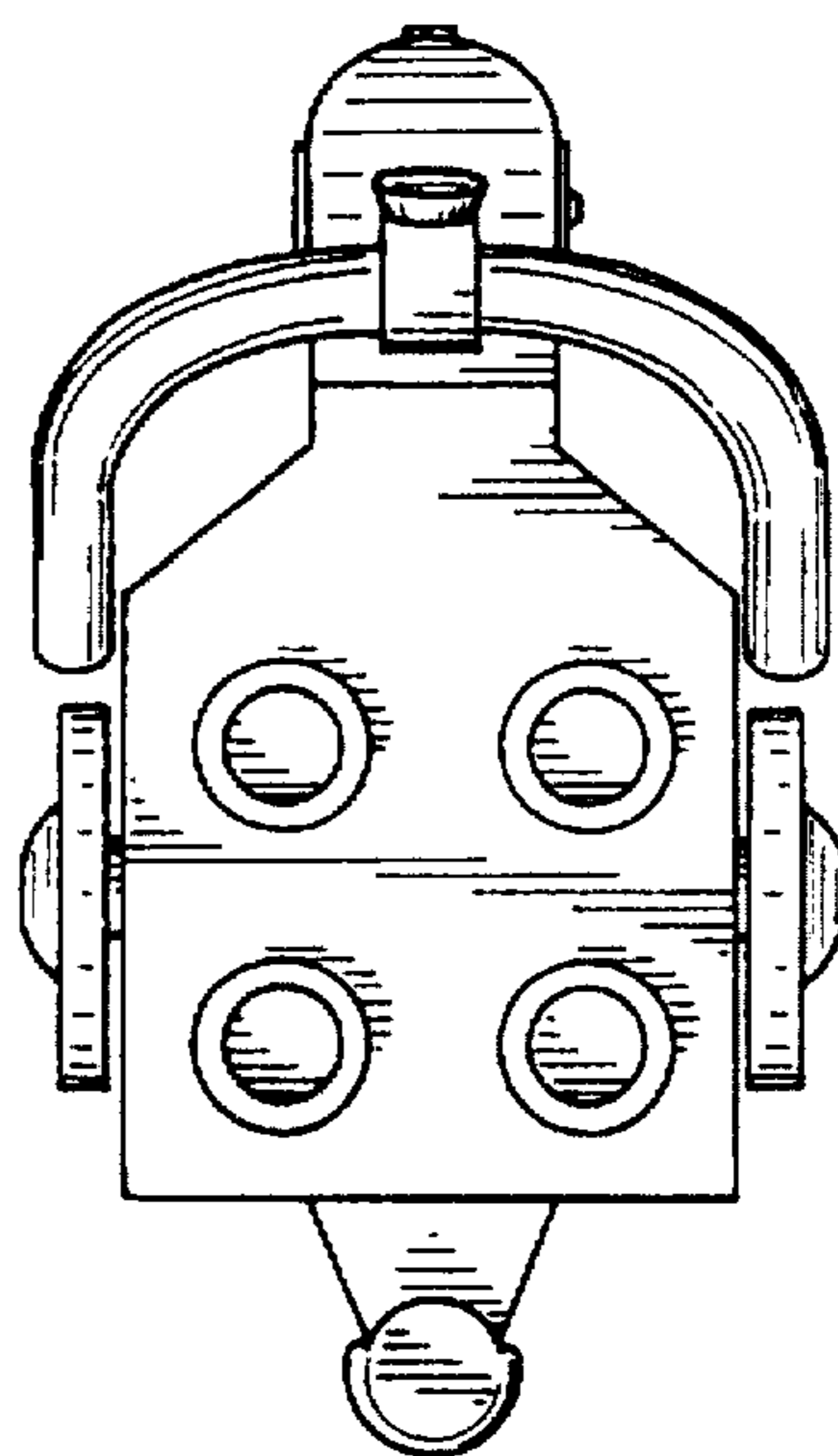
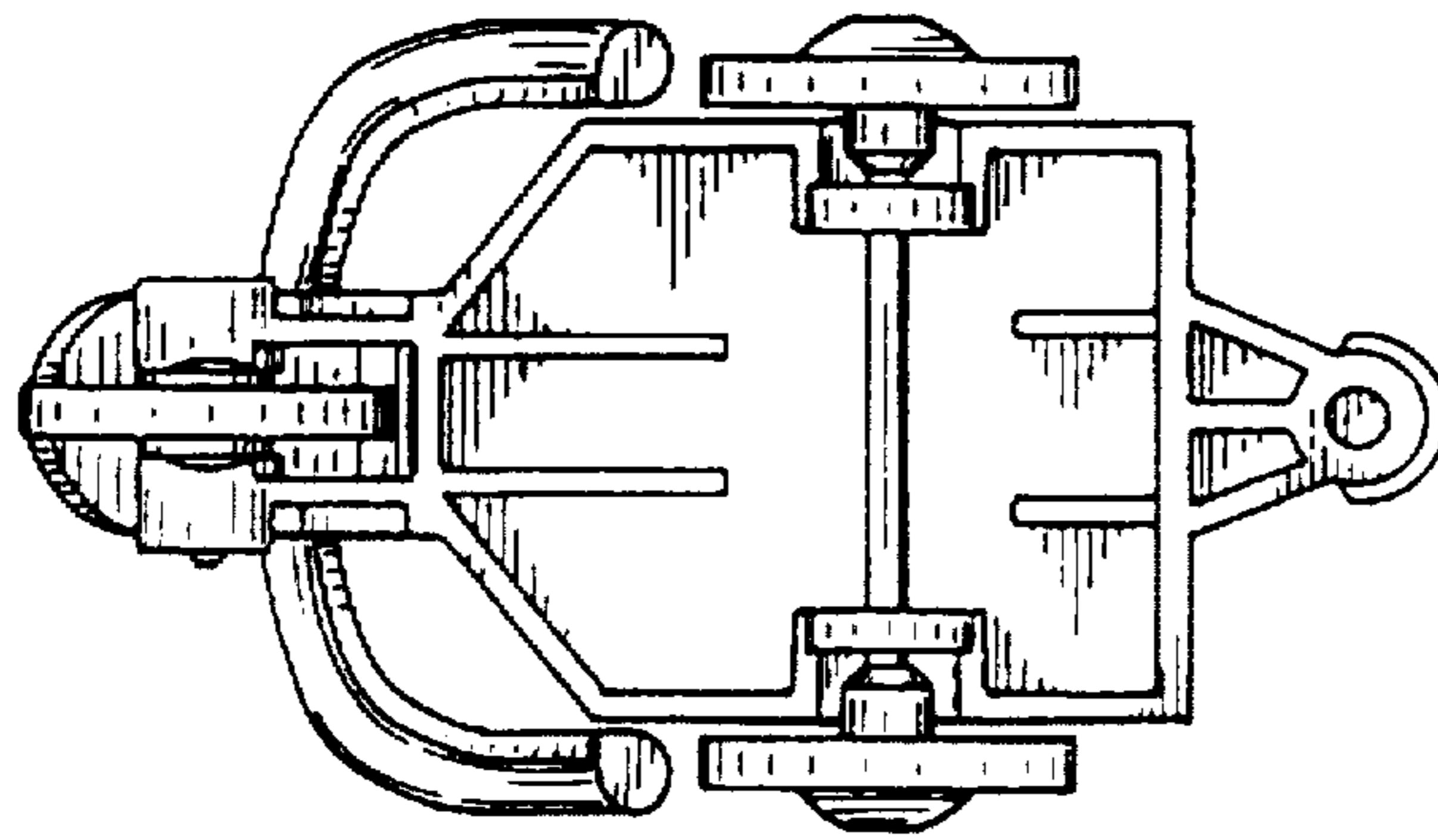
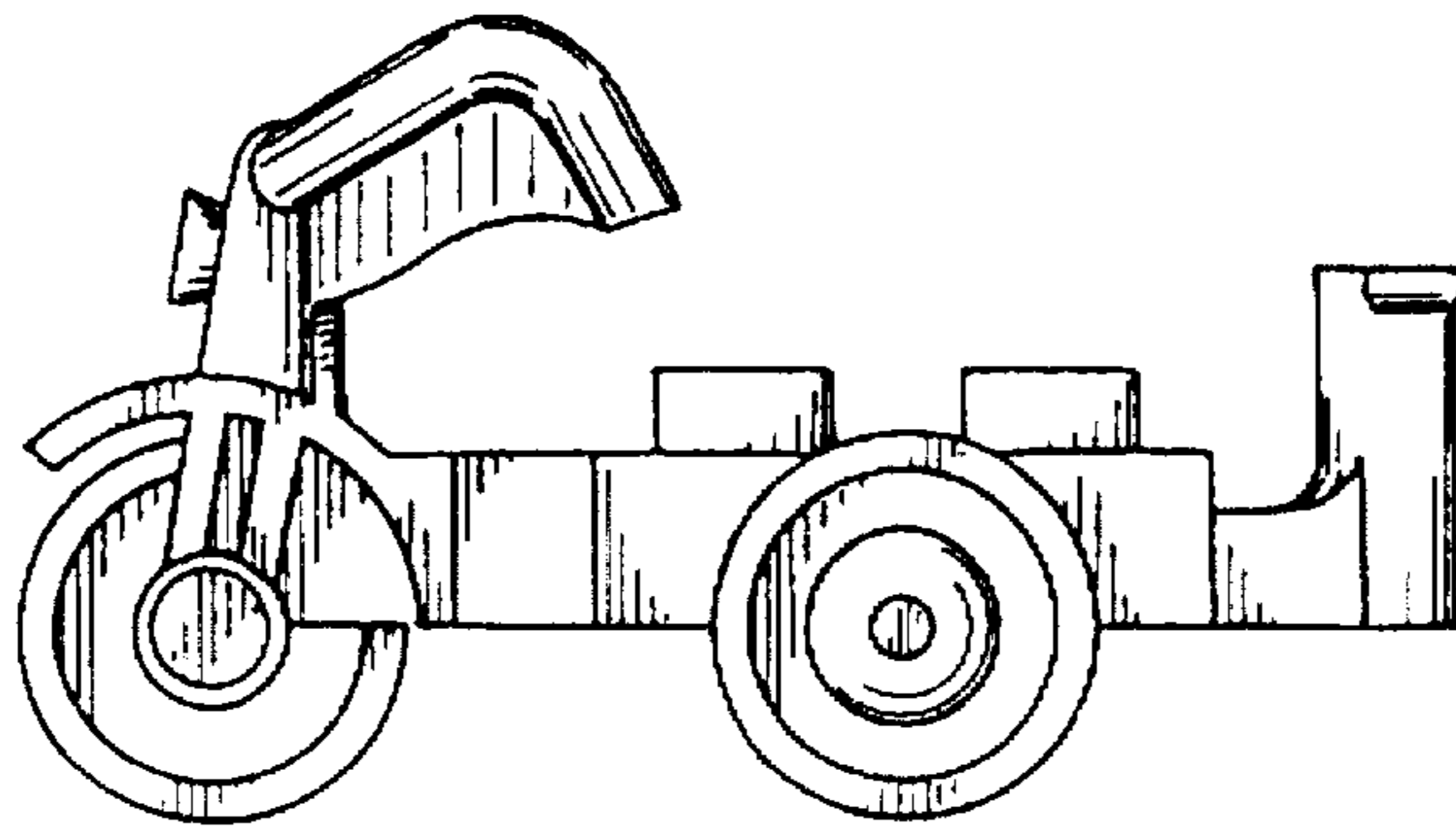


Fig. 8



**Fig. 7**



**Fig. 4**