



US00D394470S

**United States Patent** [19]  
**Bartholdy**

[11] **Patent Number: Des. 394,470**  
[45] **Date of Patent: \*\*May 19, 1998**

[54] **TOY BUILDING ELEMENT**

2,047,748 7/1936 Schmidt ..... D21/115

[75] **Inventor: Anne Maria Bartholdy, Gentofte, Denmark**

**OTHER PUBLICATIONS**

Tent at upper right of page. Playmobil Catalog, p. 9, 1995.

[73] **Assignee: INTERLEGO AG, Baar, Switzerland**

*Primary Examiner*—Raphael Barkai

[\*\*] **Term: 14 Years**

*Attorney, Agent, or Firm*—Kane, Dalsimer, Sullivan, Kurucz, Levy, Eisele and Richard, LLP

[21] **Appl. No.: 76,795**

[57] **CLAIM**

[22] **Filed: Sep. 18, 1997**

The ornamental design for a toy building element, a shown and described.

[51] **LOC (6) Cl. .... 21-01**

**DESCRIPTION**

[52] **U.S. Cl. .... D21/108; D21/114; D21/253**

FIG. 1 is a top perspective view of the toy building element;

[58] **Field of Search .... D21/108, 109,**

D21/114, 115, 253; 446/85, 105, 106, 110,

120, 121, 124, 125, 128, 476, 478

FIG. 2 is a bottom perspective view thereof;

FIG. 3 is a perspective view thereof with open door;

FIG. 4 is a front elevational view thereof;

FIG. 5 is a right side elevational view thereof;

FIG. 6 is a left side elevational view thereof;

FIG. 7 is a rear elevational view thereof;

FIG. 8 is a bottom plan view thereof; and,

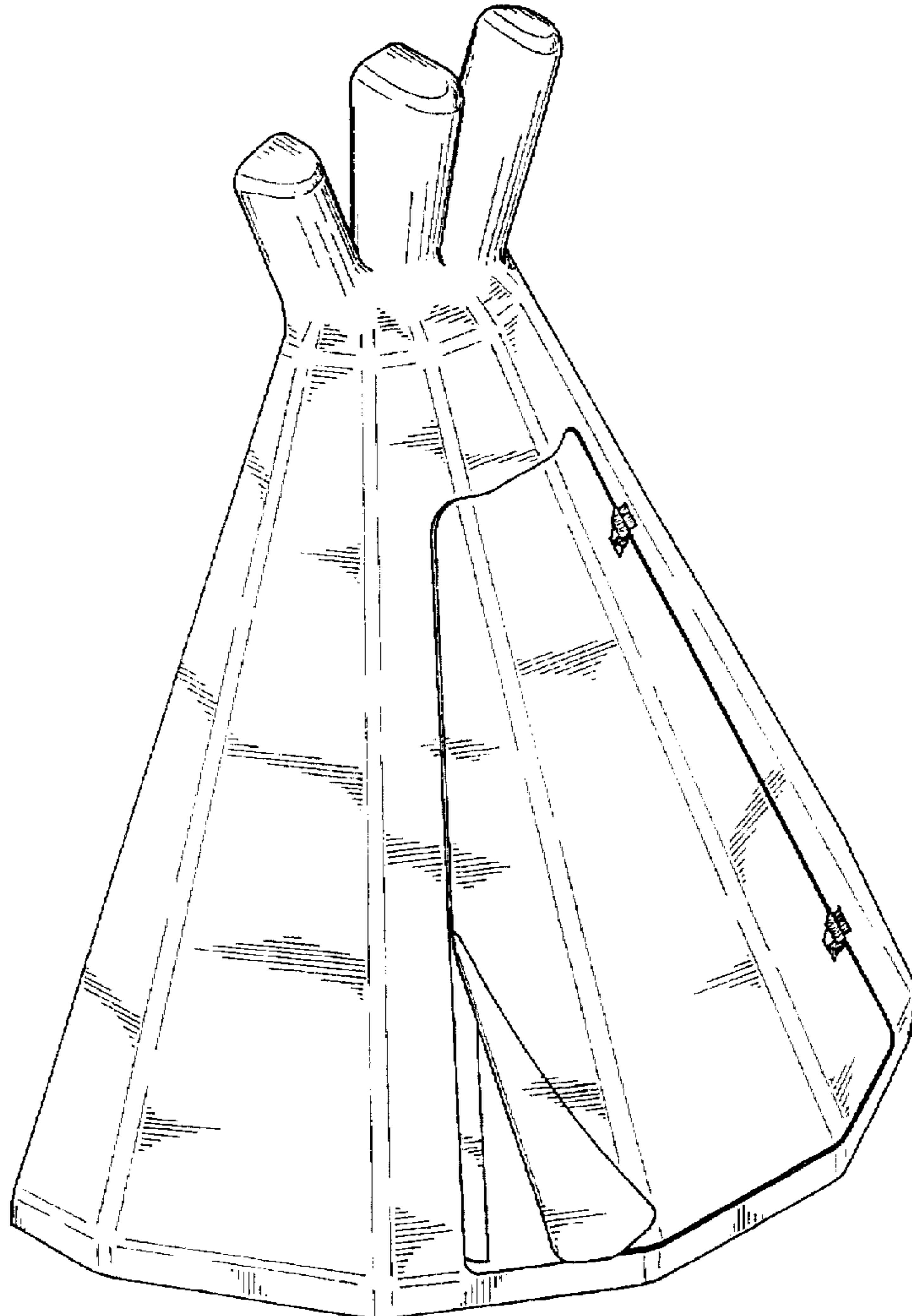
FIG. 9 is a top plan view thereof.

[56] **References Cited**

**U.S. PATENT DOCUMENTS**

D. 34,887	8/1901	Kirkham	.....	D21/114
D. 217,271	4/1970	Stitt	.....	D21/114
D. 335,160	4/1993	Knudsen	.....	D21/108
D. 344,303	2/1994	Knudsen	.....	D21/108
D. 352,328	11/1994	Boyd	.....	D21/253

**1 Claim, 6 Drawing Sheets**



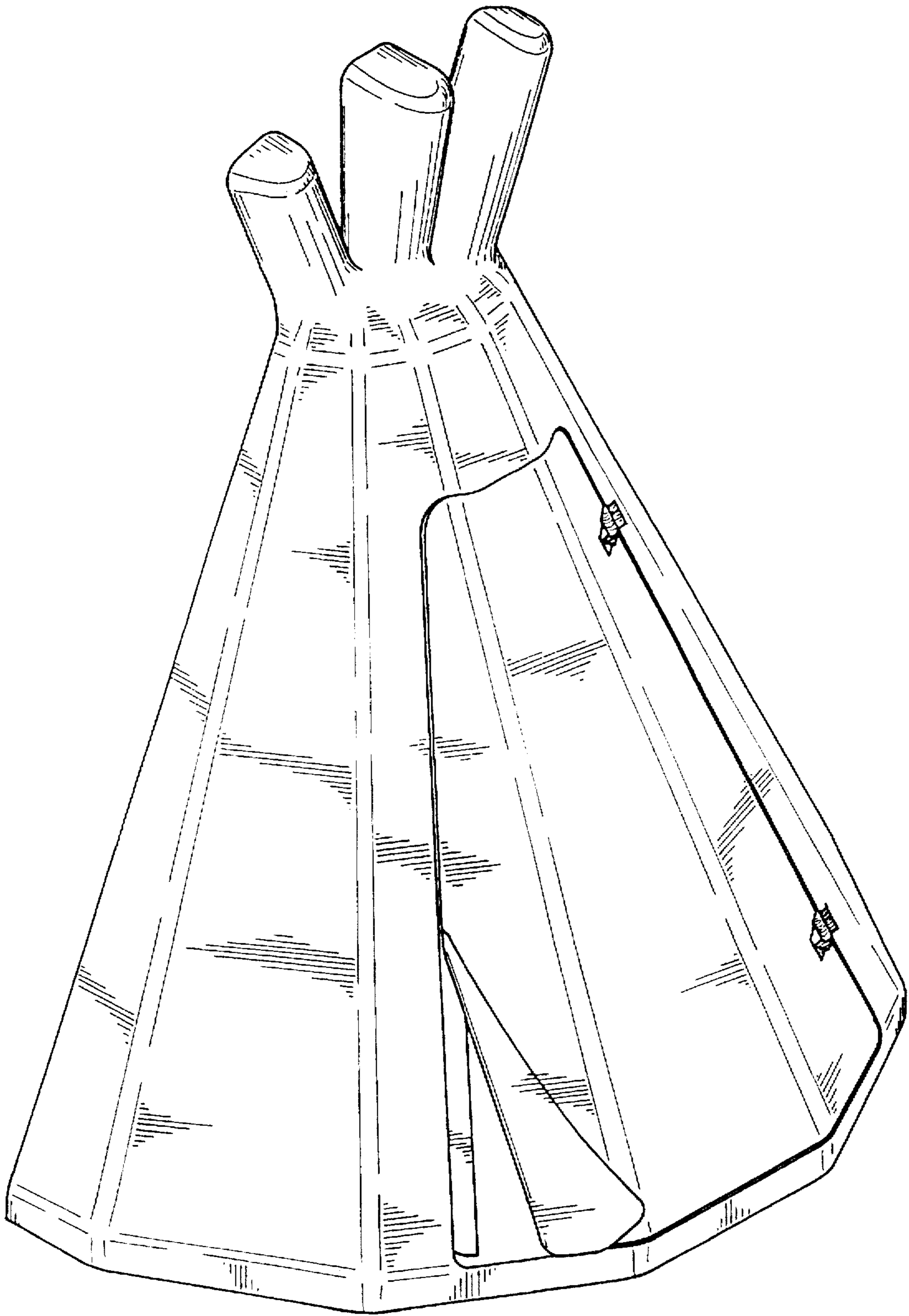


Fig. 1

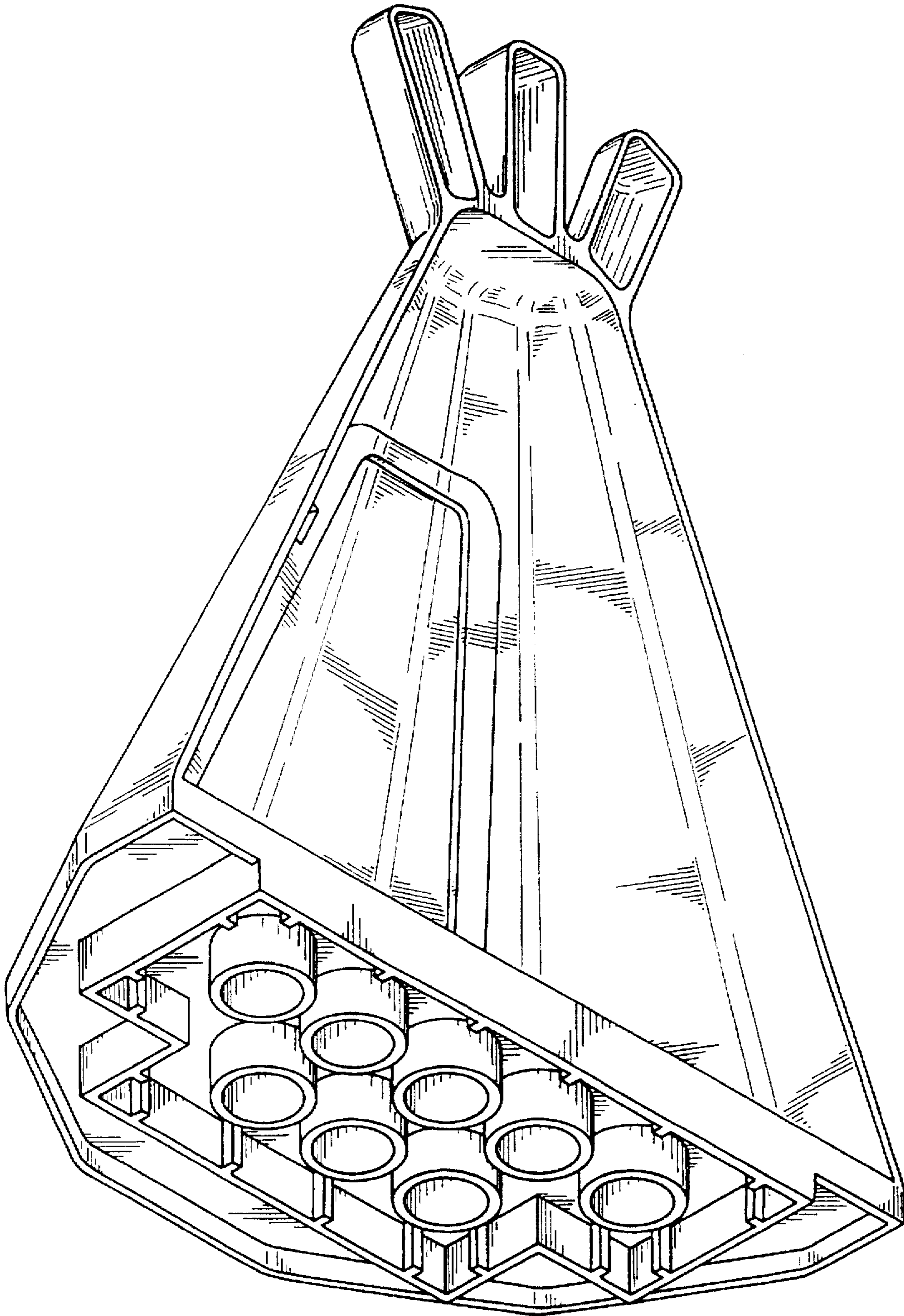


Fig. 2

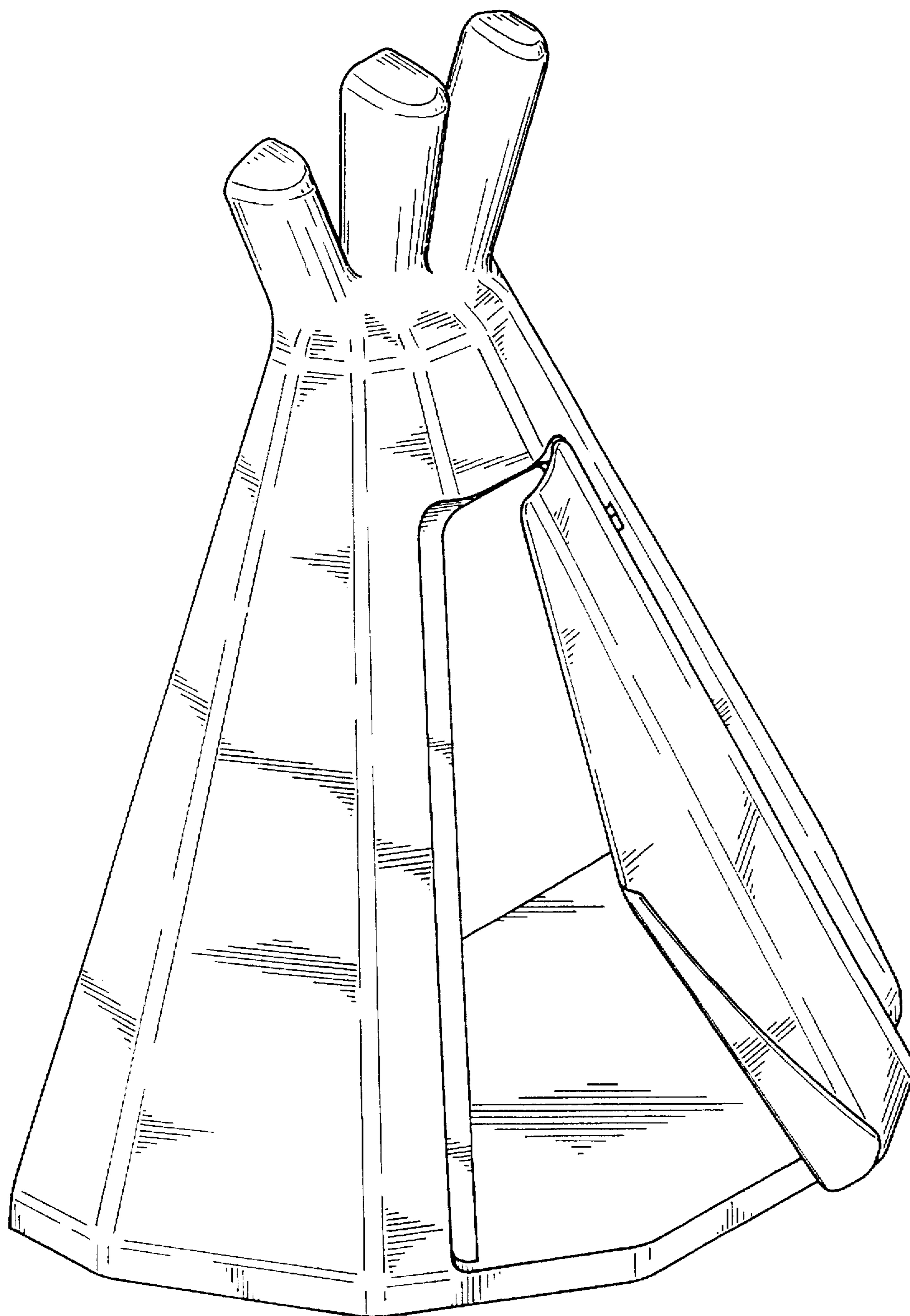


Fig. 3

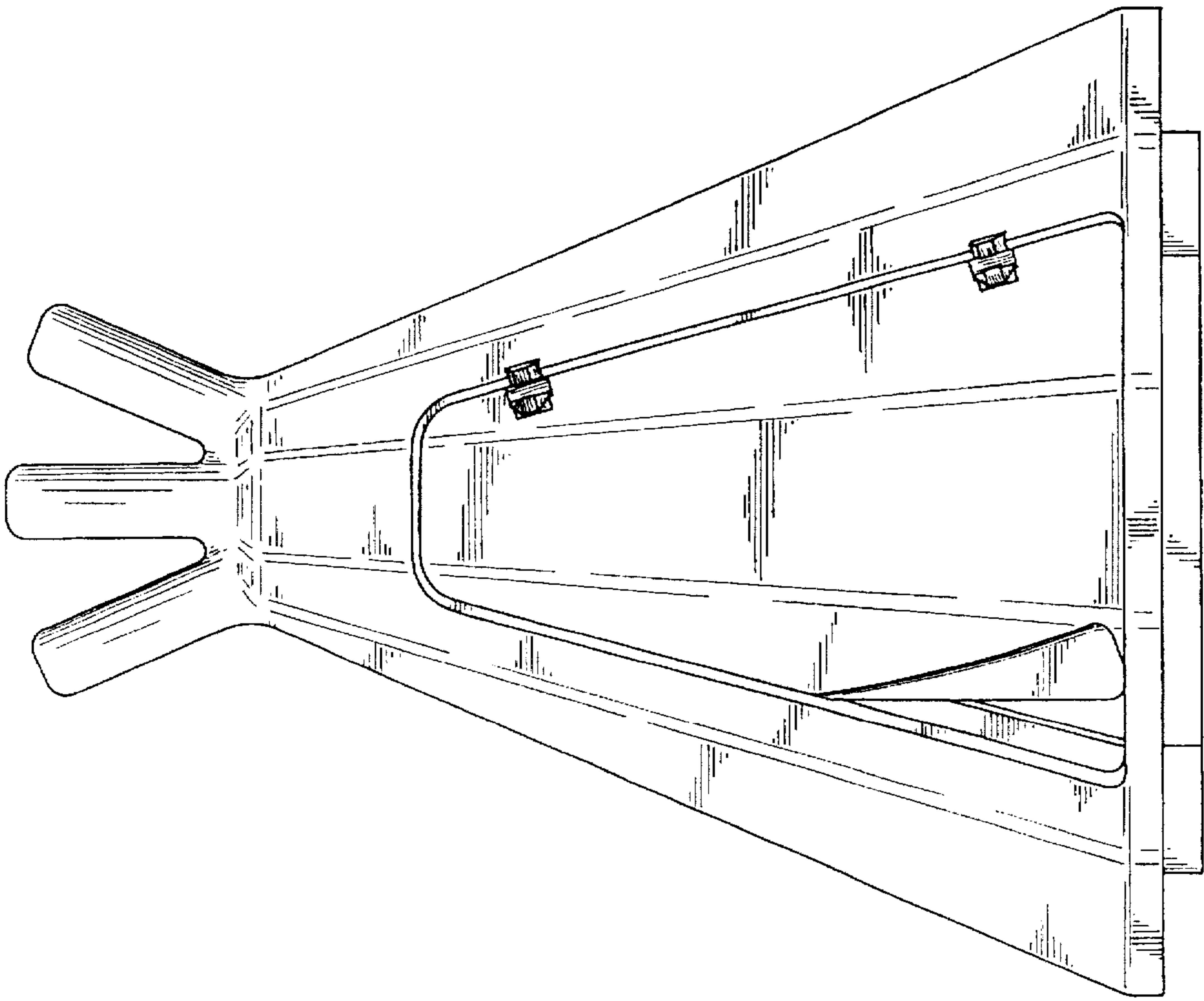


Fig. 4

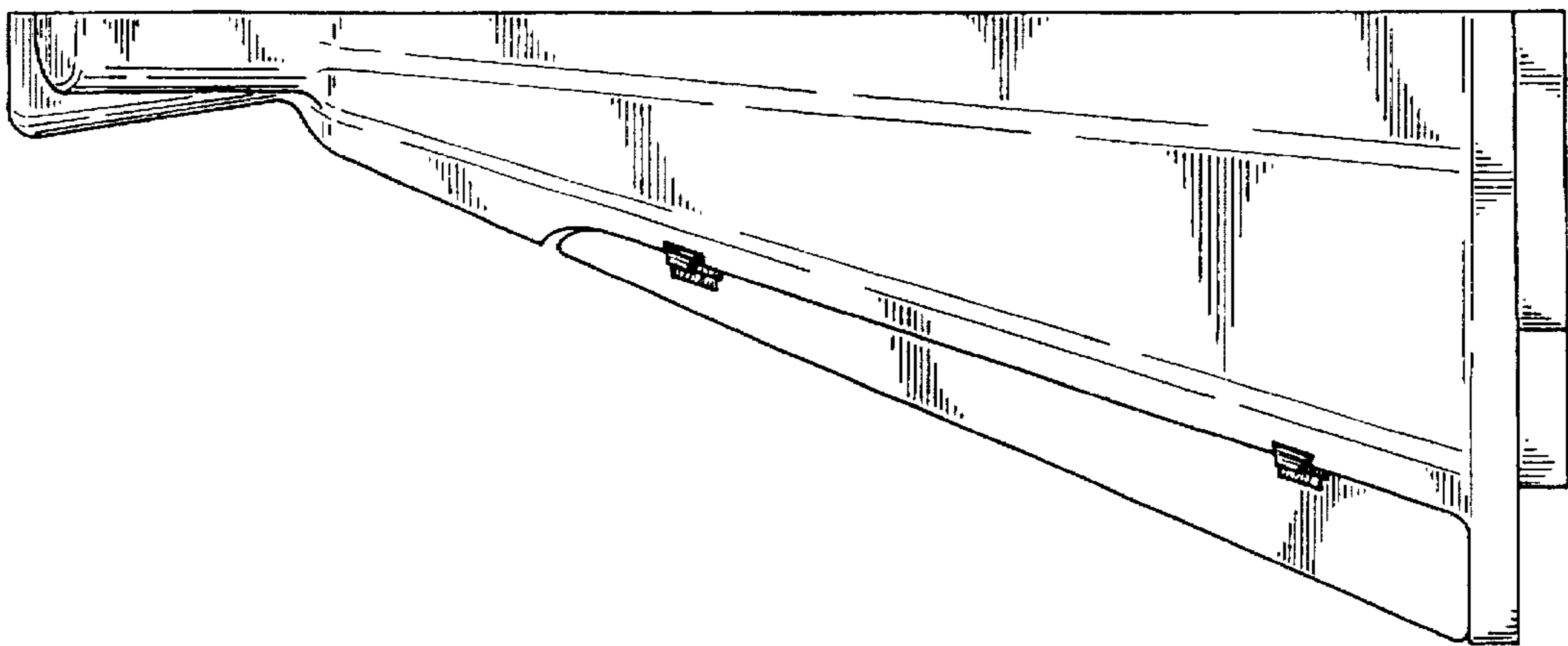


Fig. 5

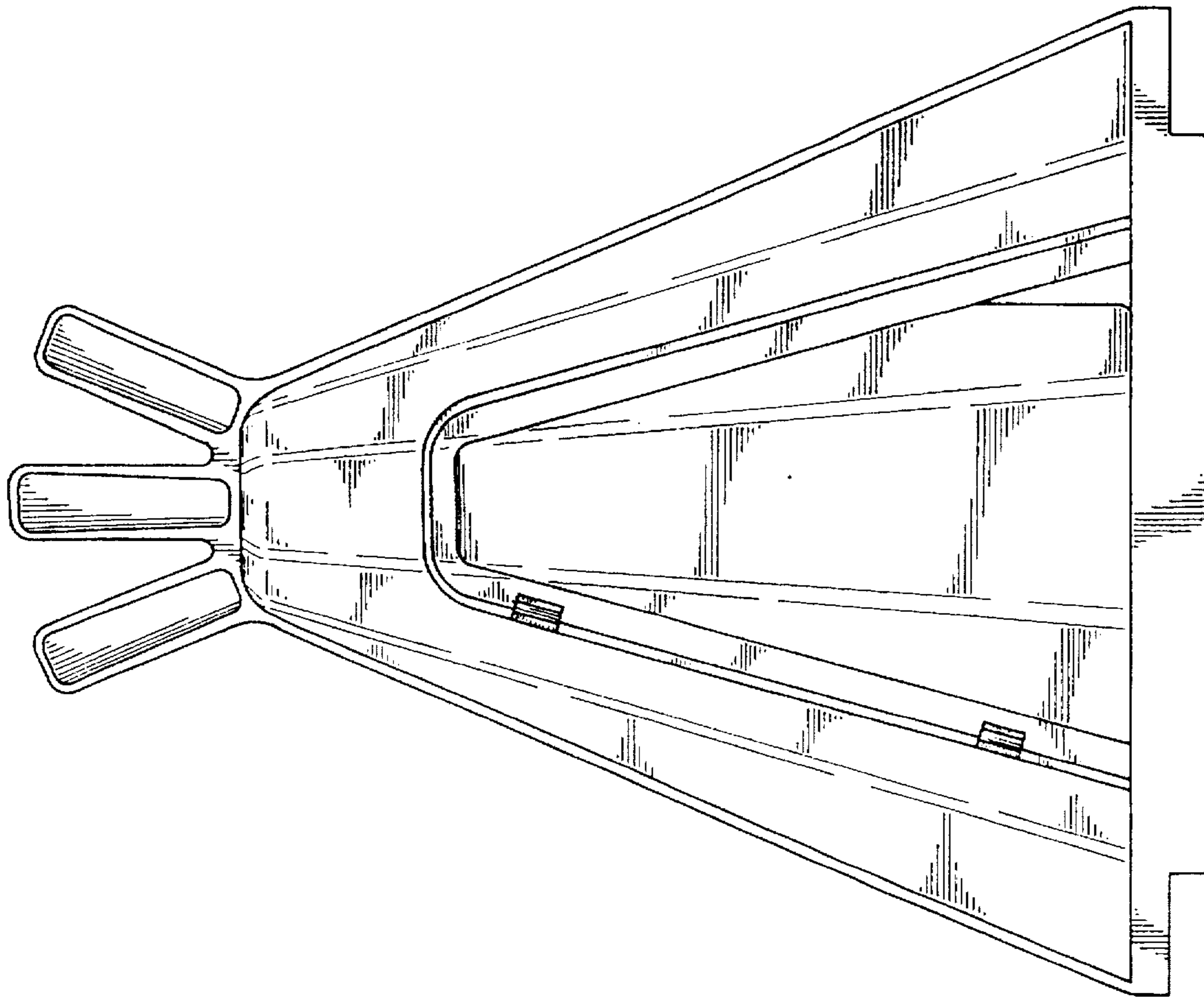


Fig. 7

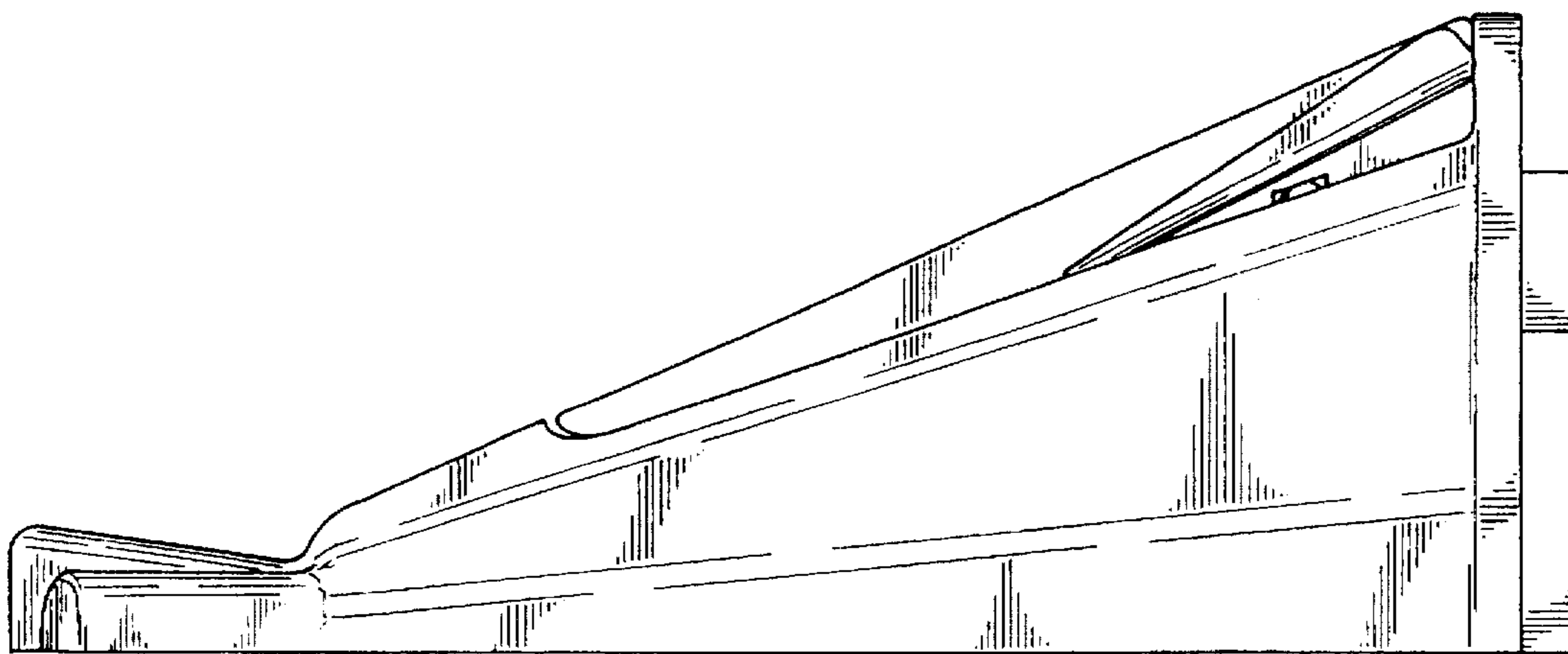
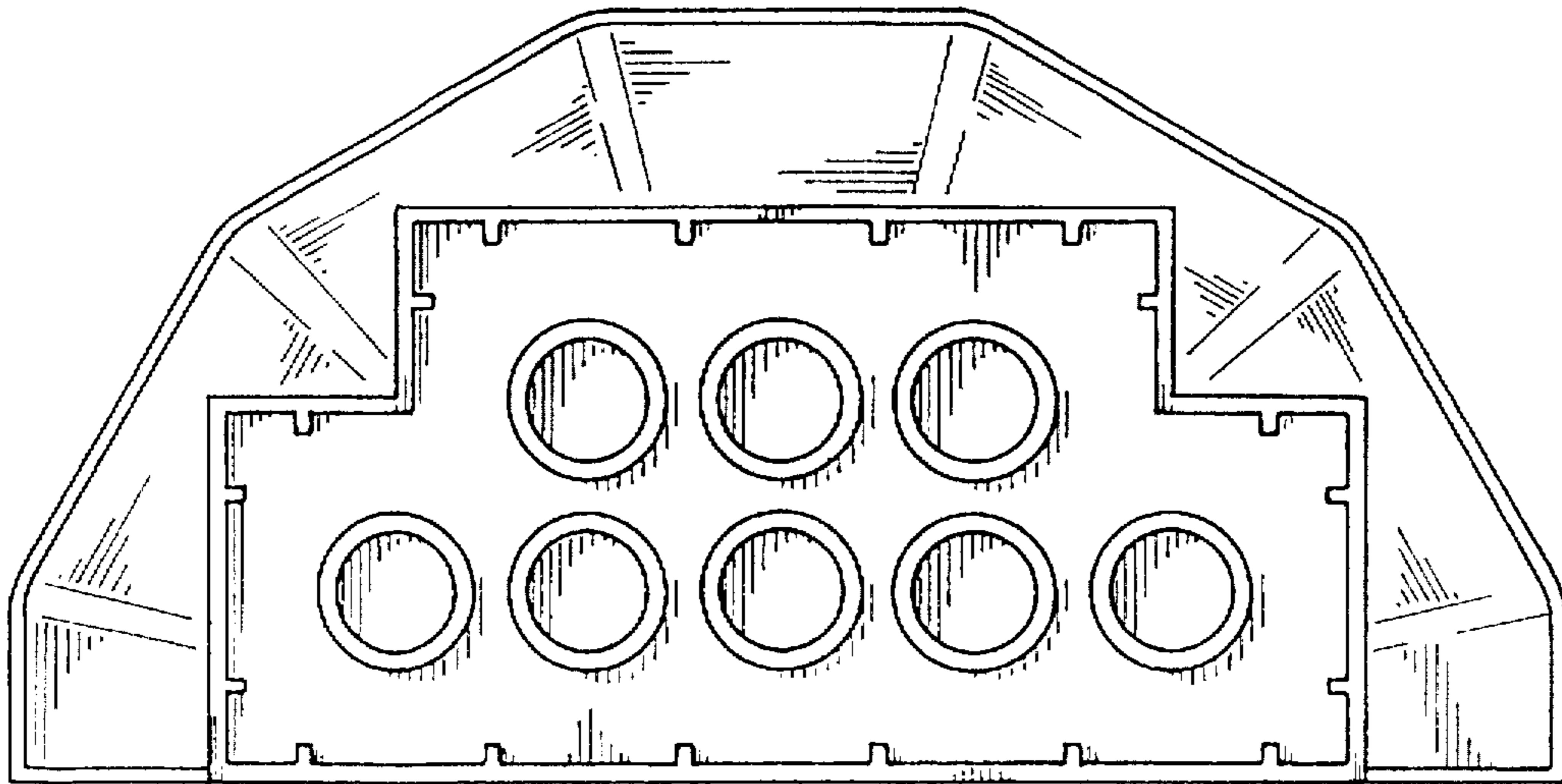
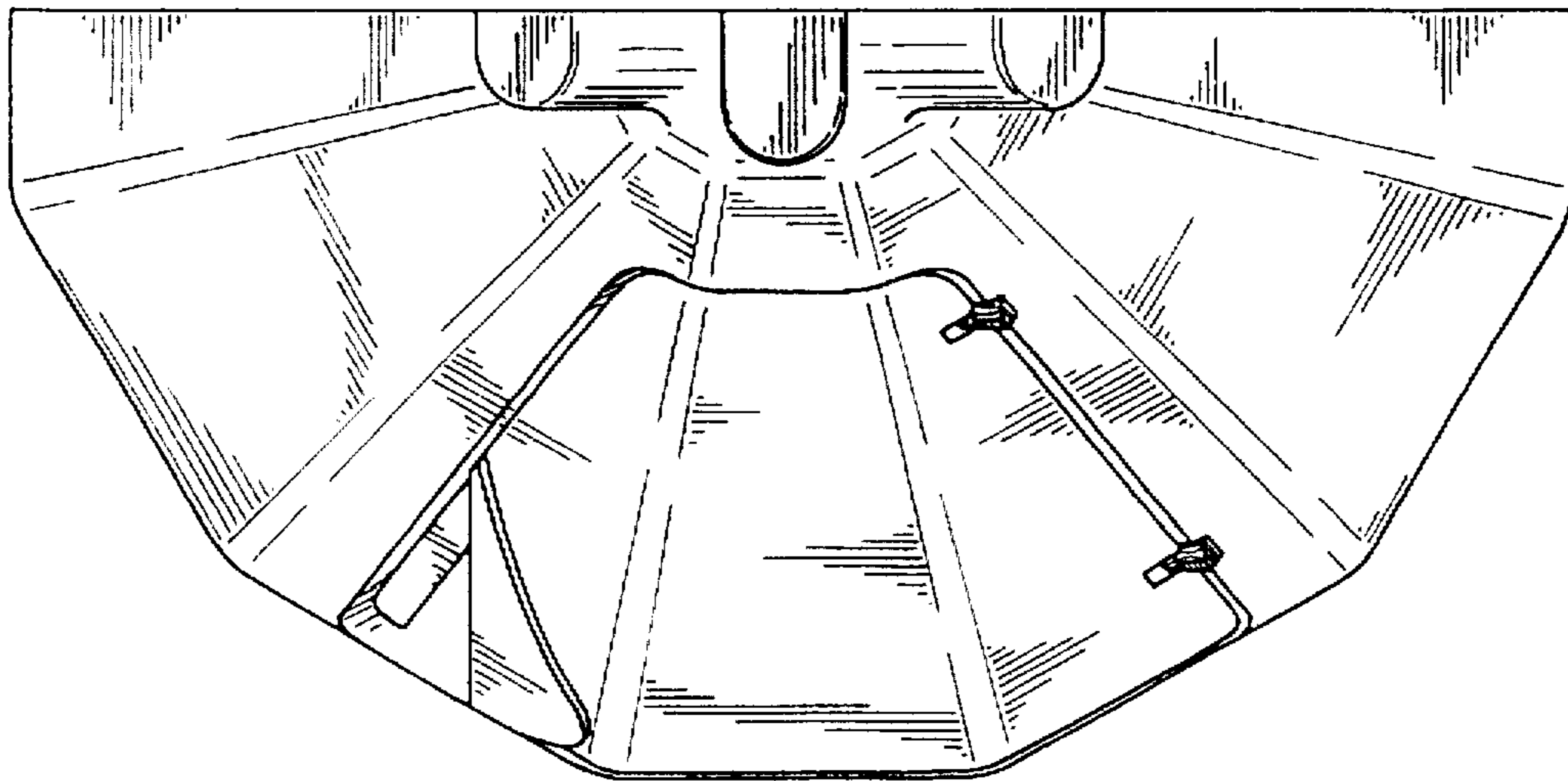


Fig. 6



**Fig. 8**



**Fig. 9**