

US00D394468S

United States Patent [19]
Leadbetter

[11] **Patent Number: Des. 394,468**
[45] **Date of Patent: **May 19, 1998**

[54] **TOY PALM**

D. 338,928 8/1993 Olsen D21/108
D. 340,003 10/1993 Wright D11/118

[75] **Inventor: Paul Leadbetter, Søborg, Denmark**

OTHER PUBLICATIONS

[73] **Assignee: INTERLEGO AG, Baar, Switzerland**

Playmobil p. 26, 1995.

[**] **Term: 14 Years**

Primary Examiner—Raphael Barkai
Attorney, Agent, or Firm—Kane,Dalsimer,Sullivan, Kurucz,
Levy, Eisele and Richard, LLP

[21] **Appl. No.: 76,792**

[22] **Filed: Sep. 18, 1997**

[57] **CLAIM**

[51] **LOC (6) Cl. 21-01**

The ornamental design for a toy palm, as shown and described.

[52] **U.S. Cl. D21/108; D21/109**

[58] **Field of Search** D21/108, 109,
D21/114; D11/118; 446/100, 102, 85, 120,
121, 125, 126, 491, 476

DESCRIPTION

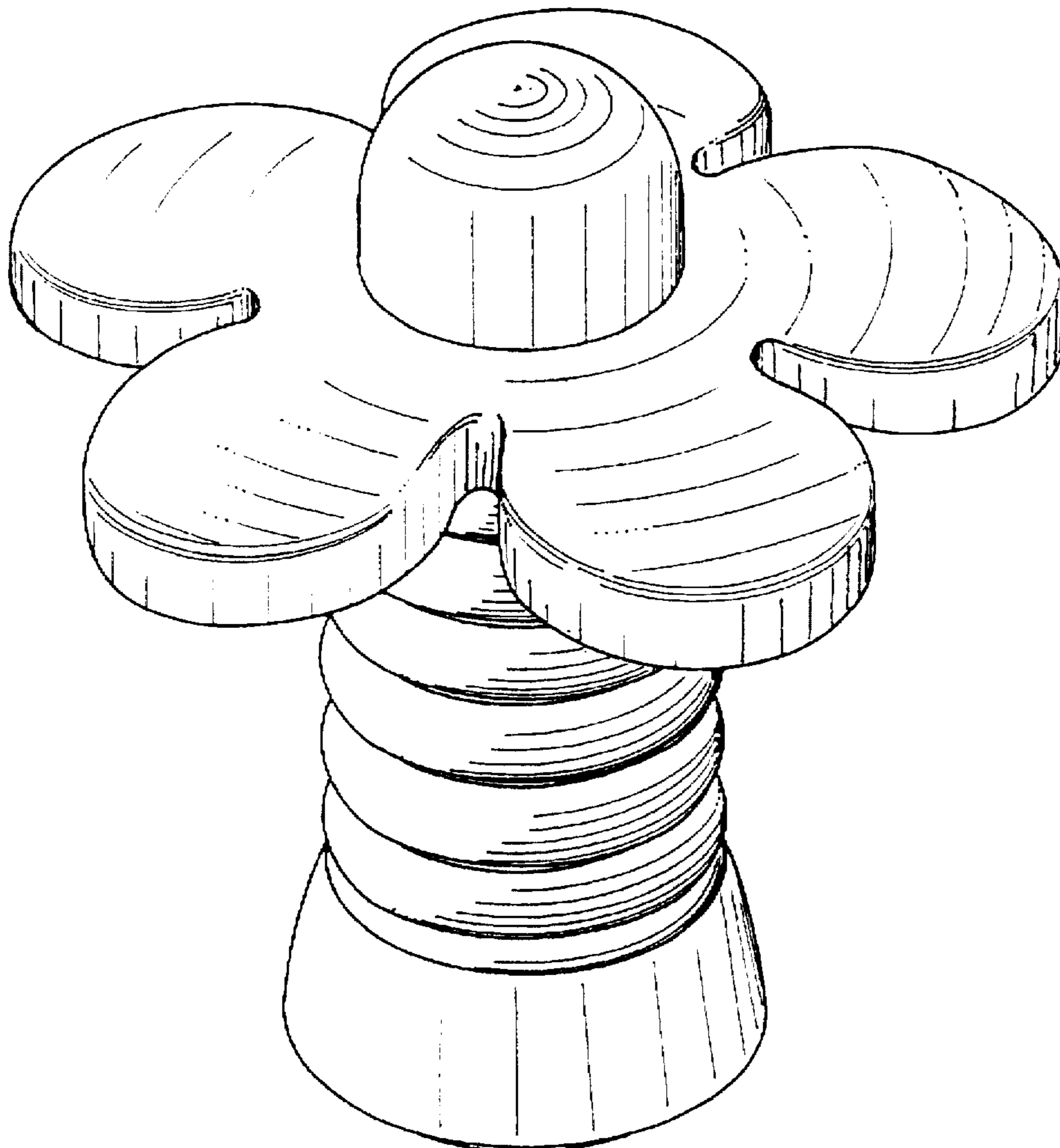
[56] **References Cited**

FIG. 1 is a top perspective view of the toy palm;
FIG. 2 is a bottom perspective view thereof;
FIG. 3 is a front elevational view thereof;
FIG. 4 is a right side elevational view thereof;
FIG. 5 is a left side elevational view thereof;
FIG. 6 is a rear elevational view thereof;
FIG. 7 is a bottom plan view thereof; and,
FIG. 8 is a top plan view thereof.

U.S. PATENT DOCUMENTS

D. 309,639 7/1990 Knudsen D21/108
D. 309,640 7/1990 Knudsen D21/108
D. 314,989 2/1991 Olsen D21/108
D. 317,479 6/1991 Olsen D21/108
D. 337,135 7/1993 Knudsen D21/108

1 Claim, 5 Drawing Sheets



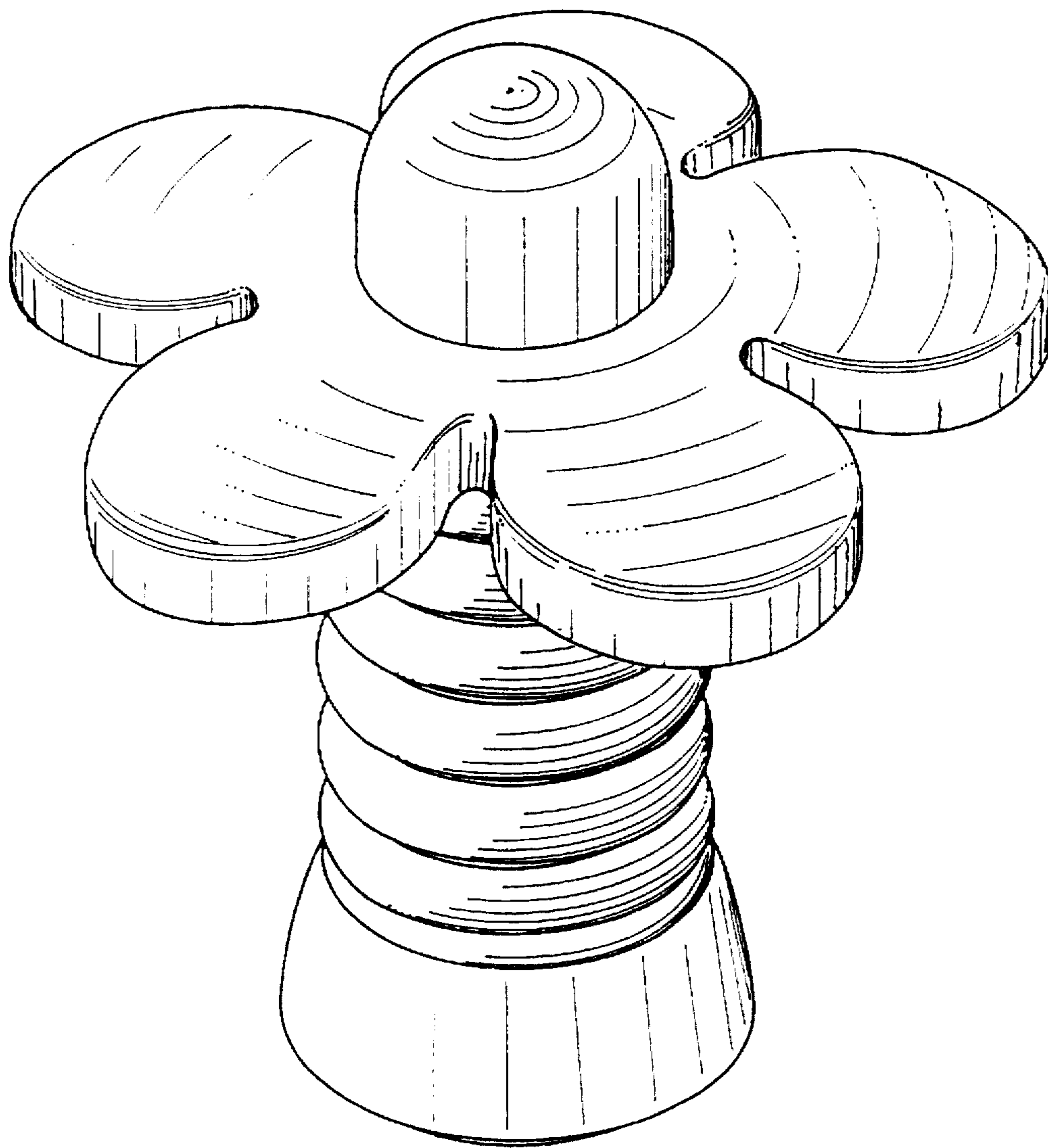


Fig. 1

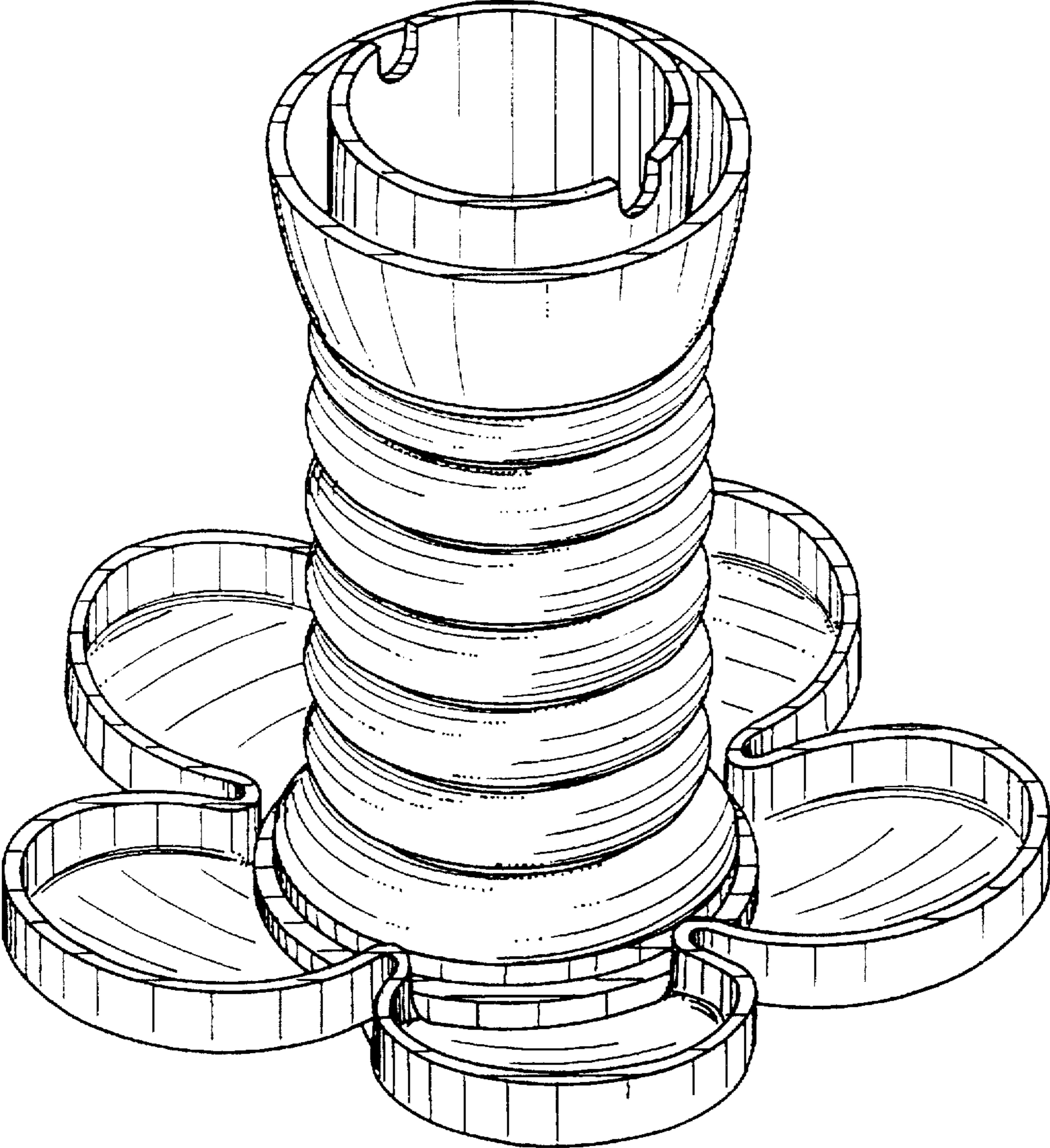


Fig. 2

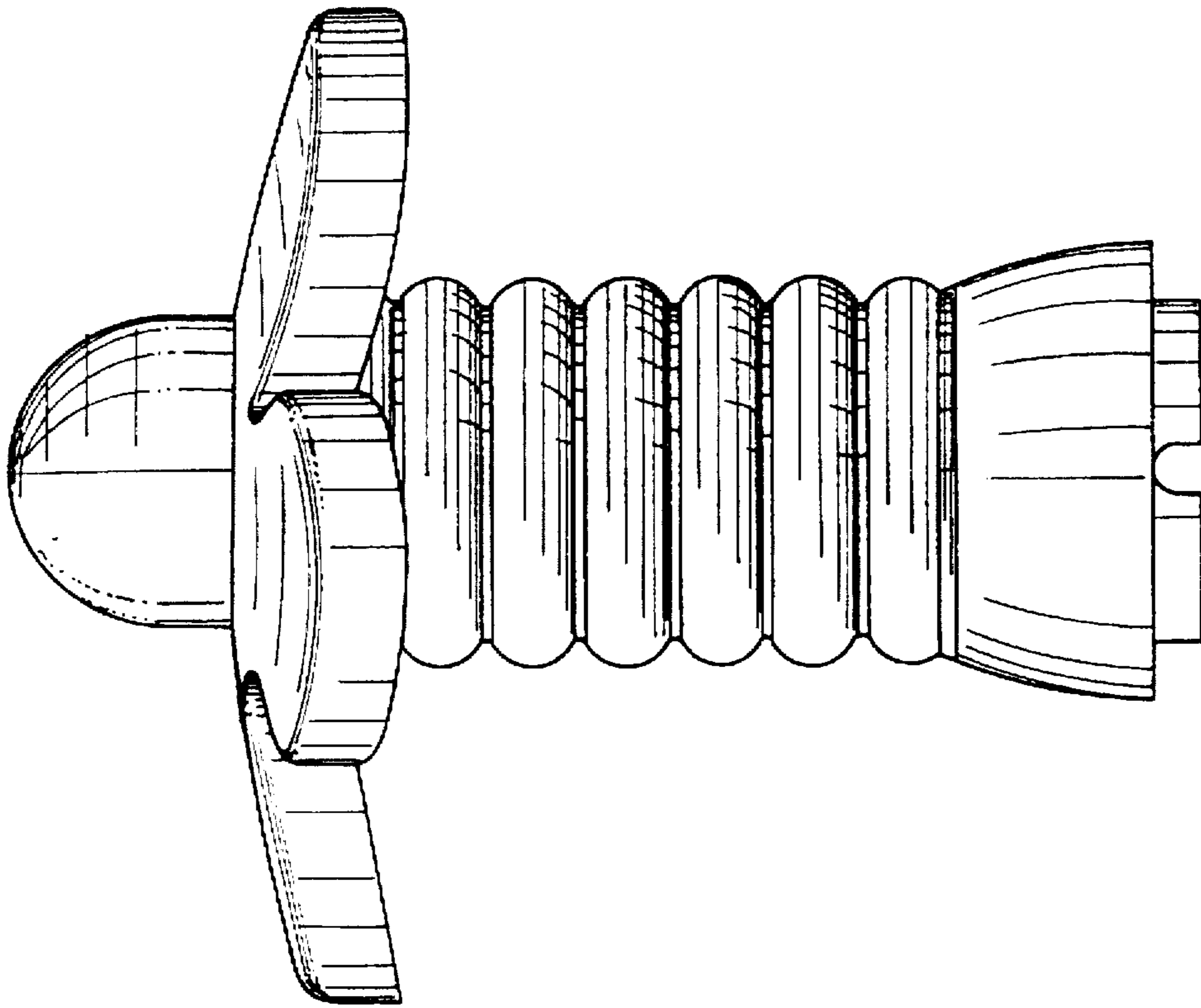


Fig. 4

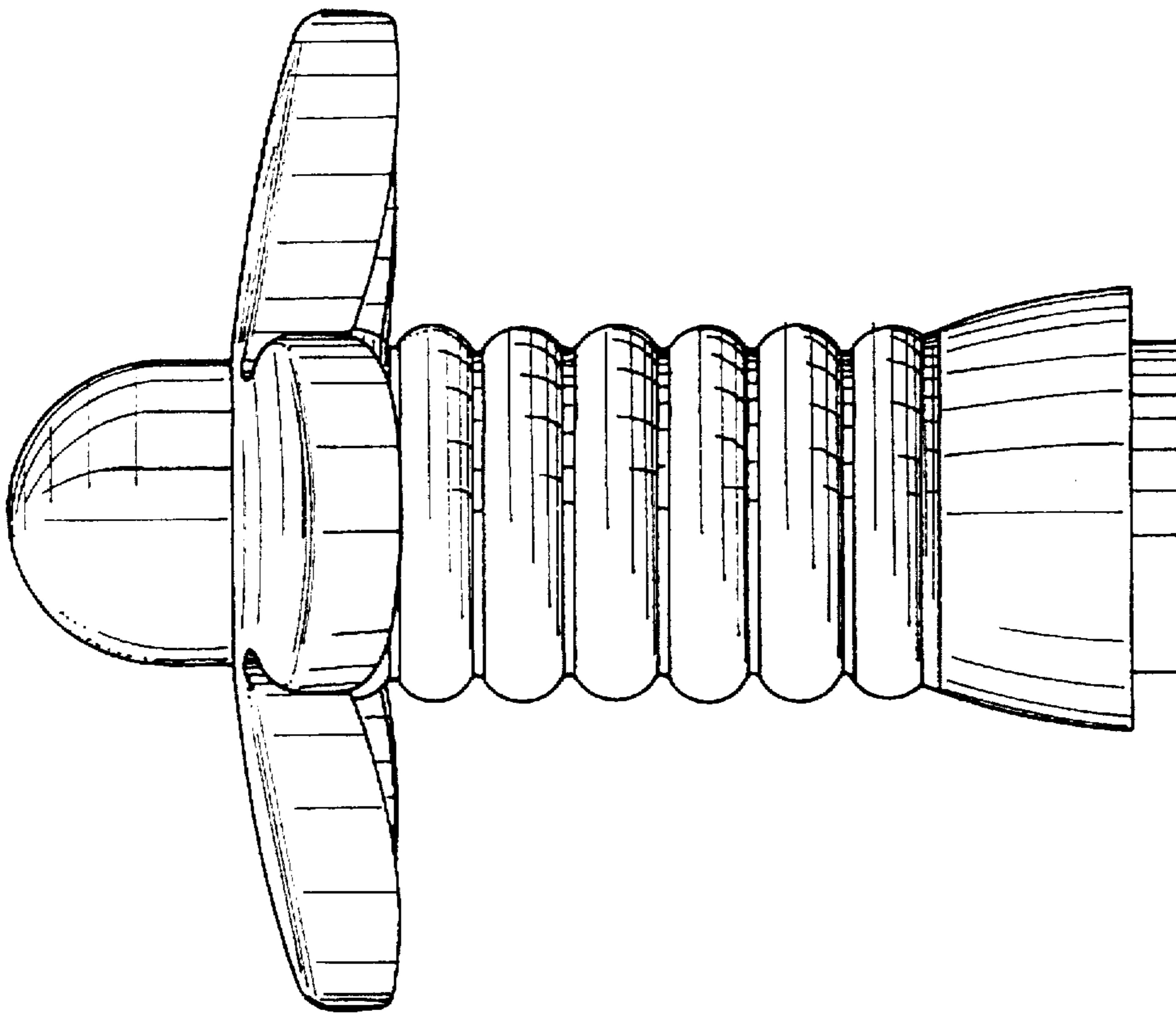


Fig. 3

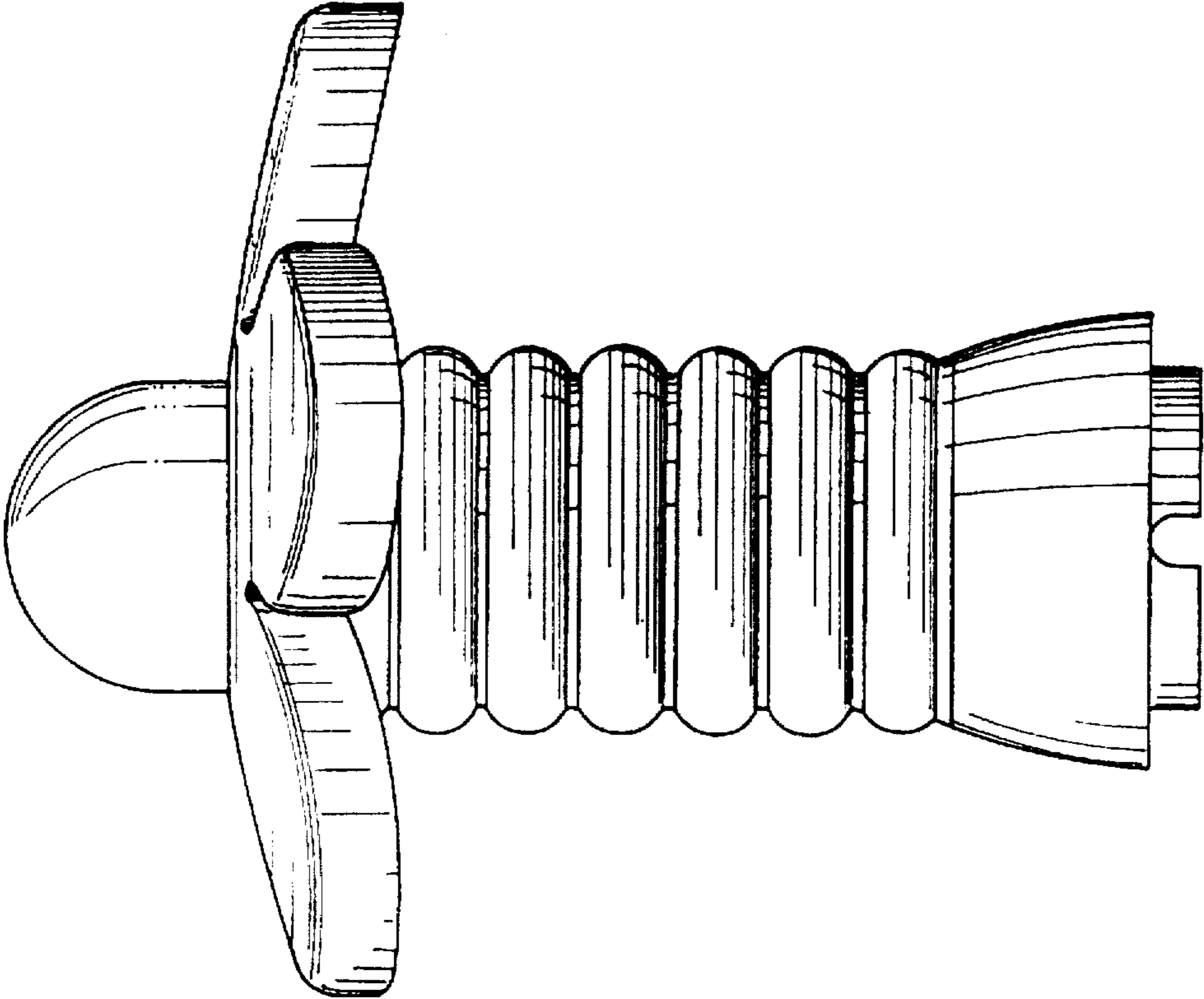


Fig. 5

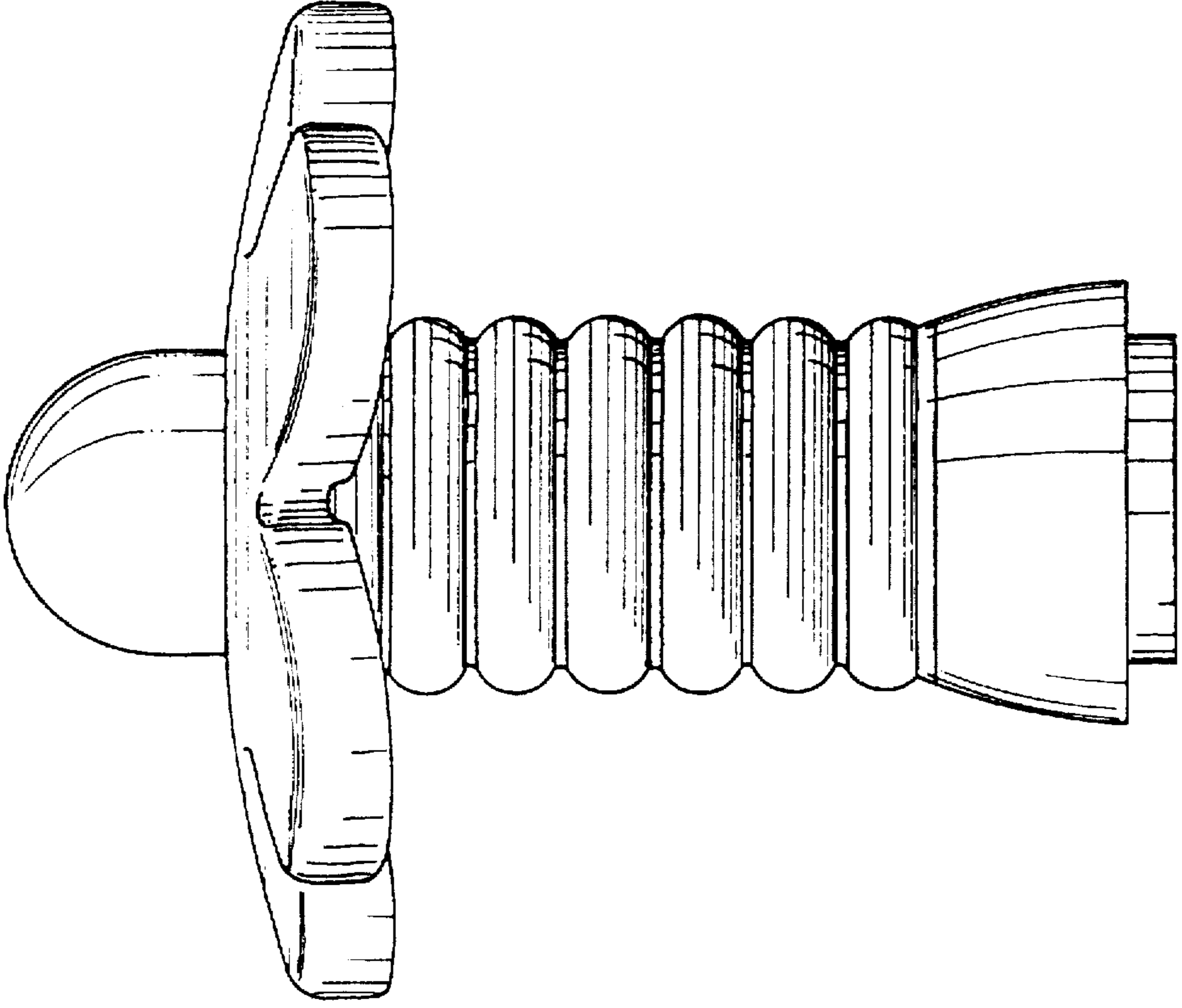


Fig. 6

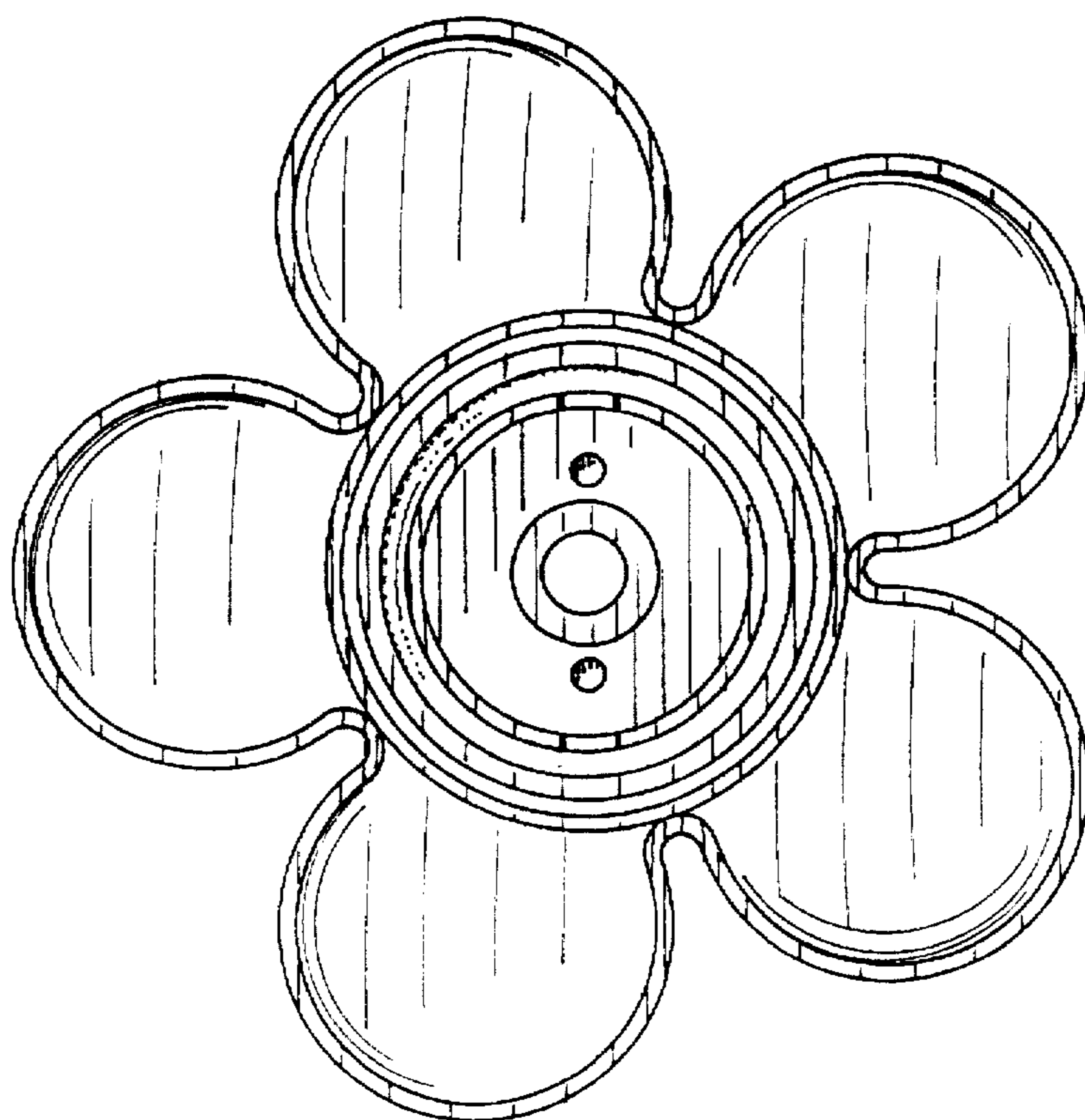


Fig. 7

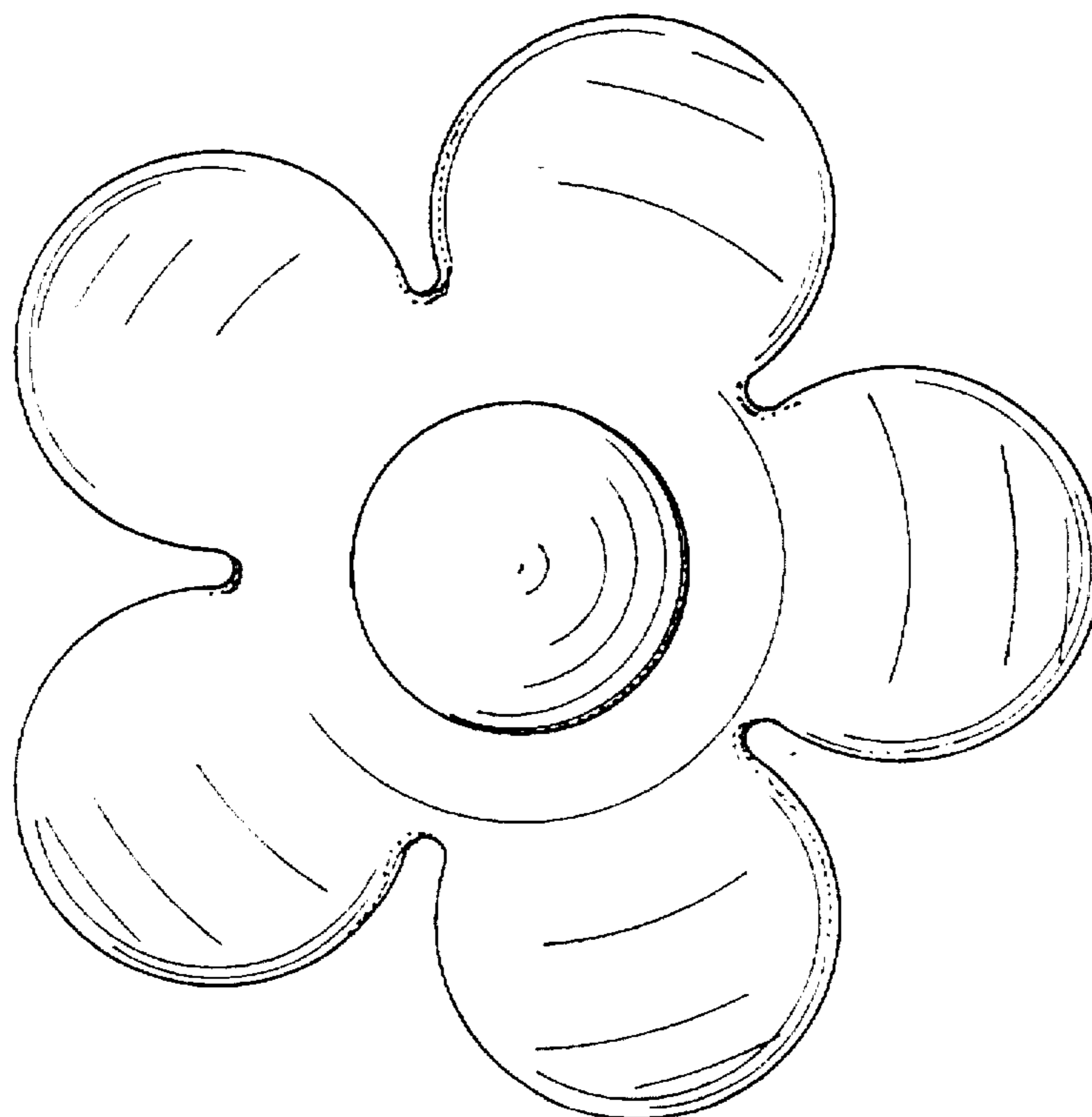


Fig. 8