



US00D394467S

United States Patent [19]
Nielsen

[11] **Patent Number: Des. 394,467**
[45] **Date of Patent: **May 19, 1998**

[54] **TOY BUILDING ELEMENT**

[75] **Inventor: Helle Kleist Nielsen, Frederiksberg, Denmark**

[73] **Assignee: INTERLEGO AG, Baar, Switzerland**

[**] **Term: 14 Years**

[21] **Appl. No.: 76,734**

[22] **Filed: Sep. 18, 1997**

[51] **LOC (6) Cl. 21-01**

[52] **U.S. Cl. D21/108**

[58] **Field of Search D21/108, 59, 109, 120, 122, 124, 125, 128, 118**

[56] **References Cited**

U.S. PATENT DOCUMENTS

- D. 311,940 11/1990 Anderson D21/108
- D. 312,104 11/1990 Anderson D21/108
- D. 315,580 3/1991 Anderson D21/108

- D. 345,591 3/1994 Krentz D21/108
- D. 351,629 10/1994 Ryaa et al. D21/108
- D. 354,527 1/1995 Ryaa et al. D21/108
- D. 360,909 8/1995 Frederiksen D21/108

Primary Examiner—Raphael Barkai
Attorney, Agent, or Firm—Kane,Dalsimer,Sullivan, Kurucz, Levy, Eisele and Richard, LLP

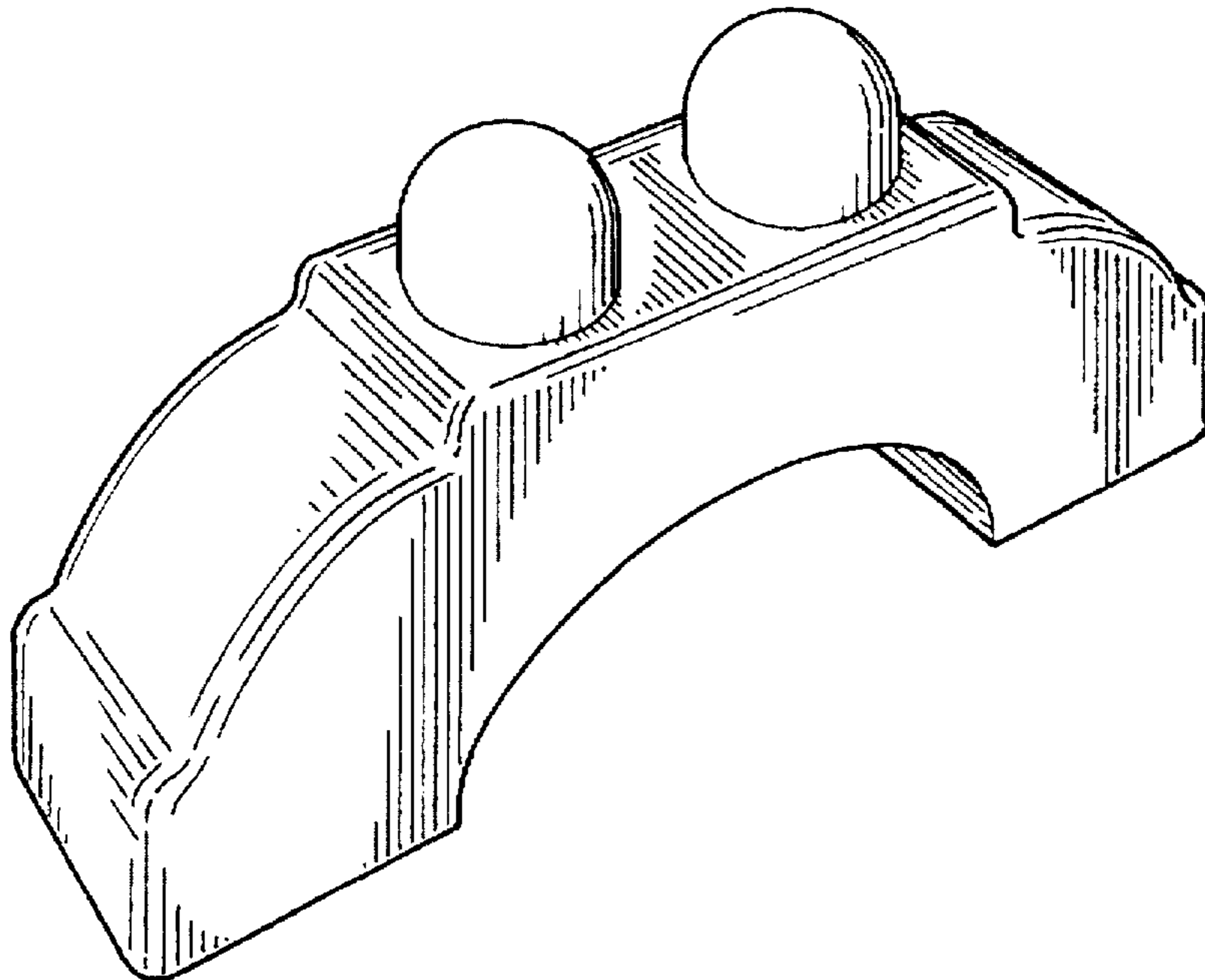
[57] **CLAIM**

The ornamental design for a toy building element, as shown and described.

DESCRIPTION

FIG. 1 is a top perspective view of the toy building element; FIG. 2 is a bottom perspective view thereof; FIG. 3 is a front elevational view thereof; FIG. 4 is a right side elevational view thereof; FIG. 5 is a left side elevational view thereof; FIG. 6 is a rear elevational view thereof; FIG. 7 is a bottom plan view thereof; and, FIG. 8 is a top plan view thereof.

1 Claim, 2 Drawing Sheets



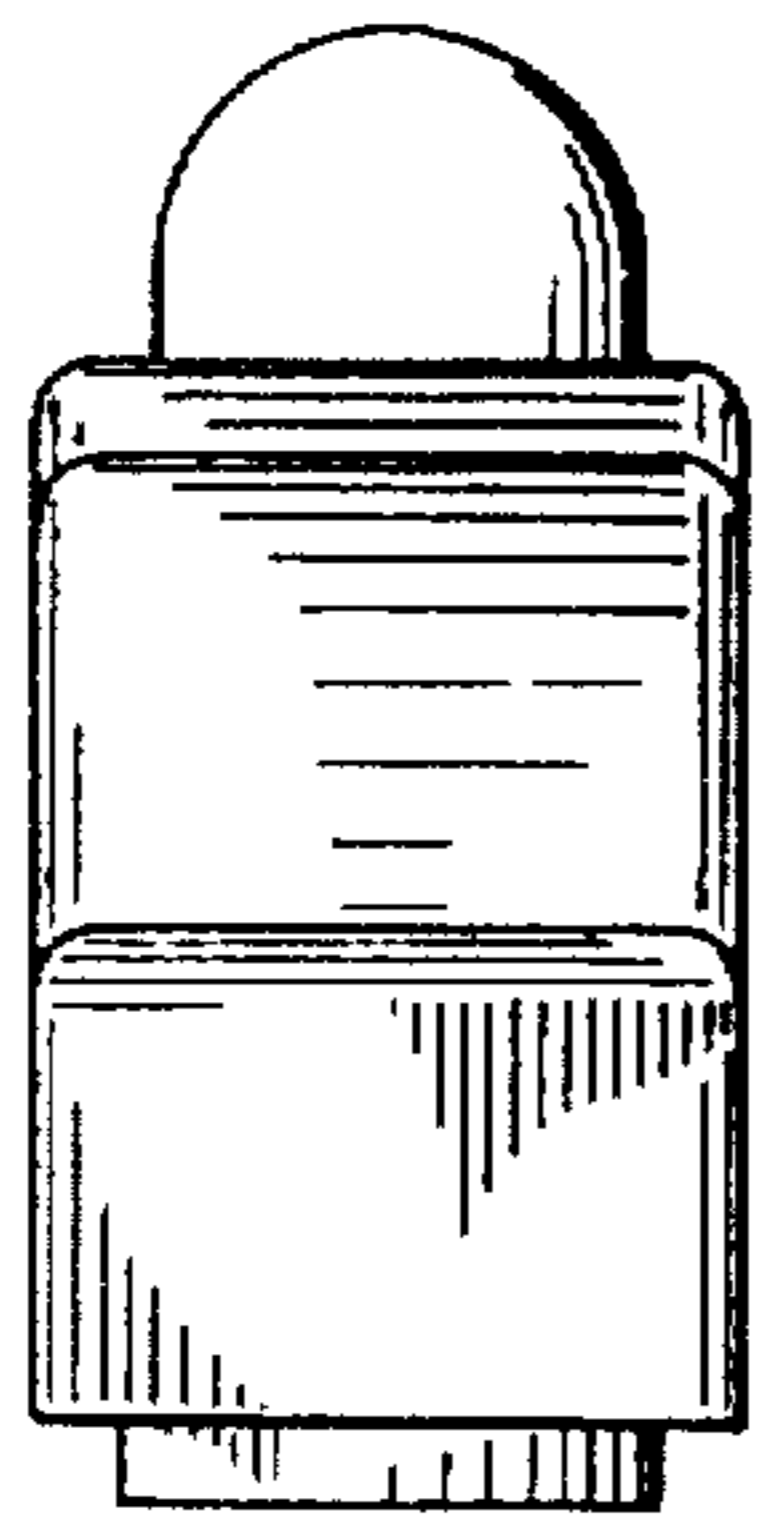


Fig. 4

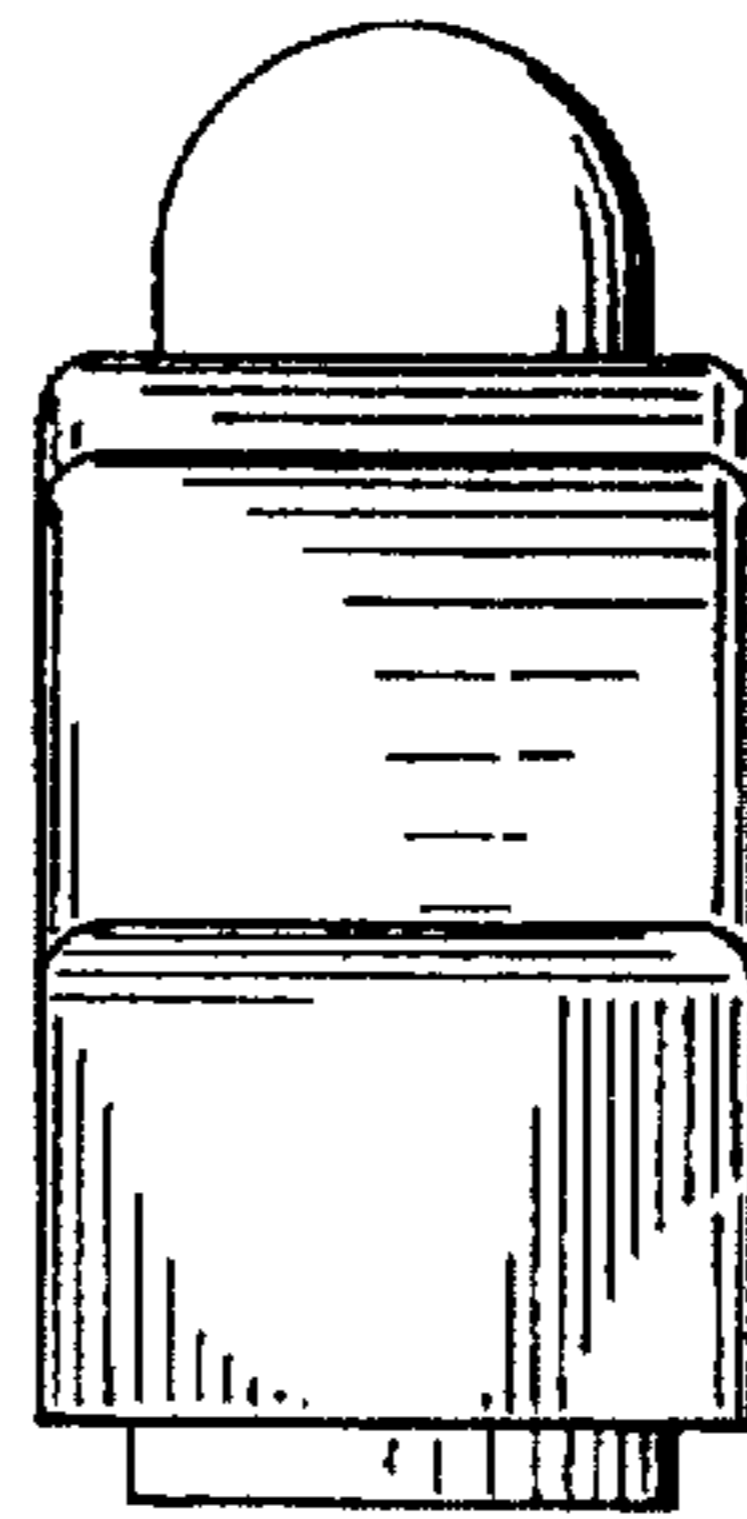


Fig. 5

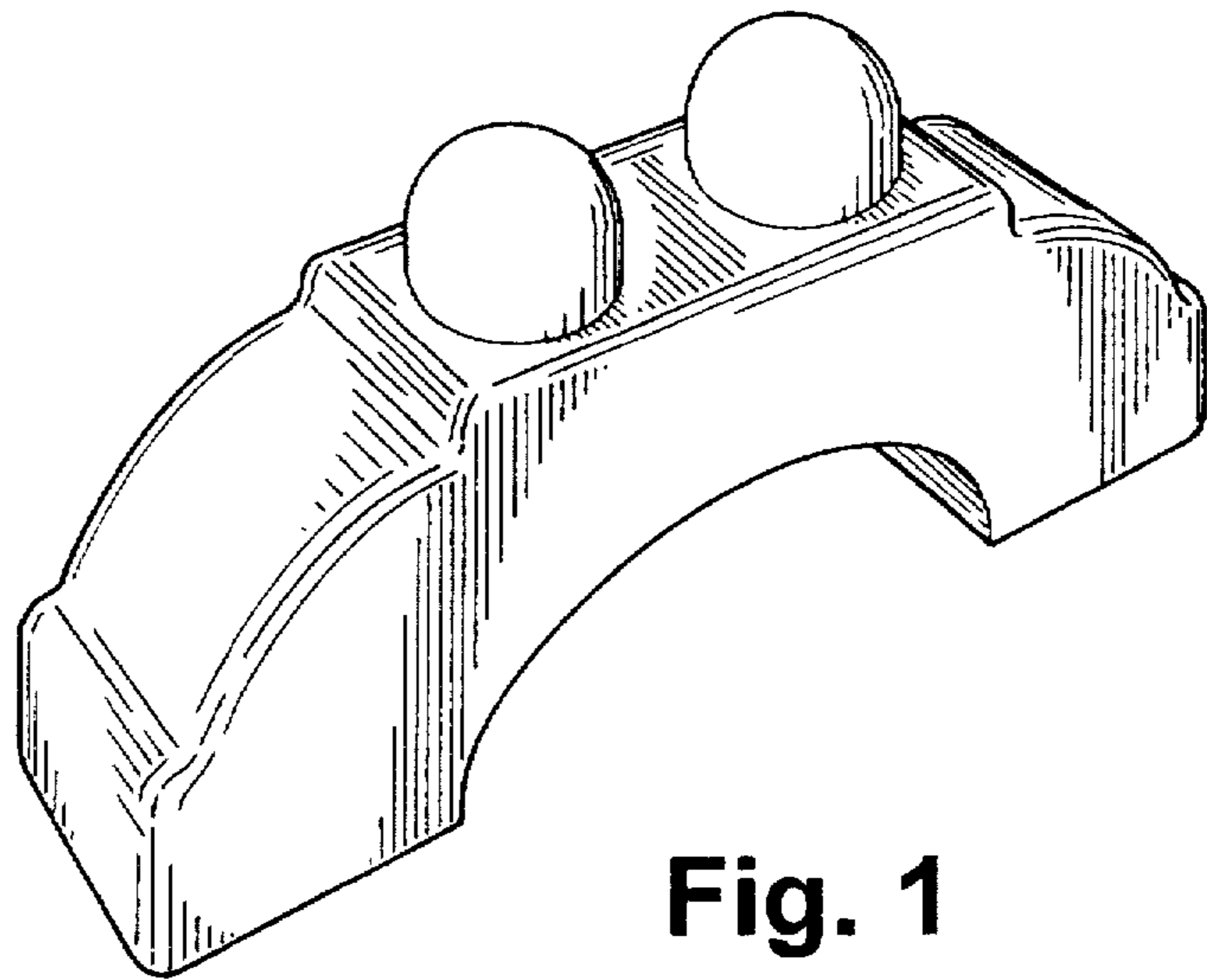


Fig. 1

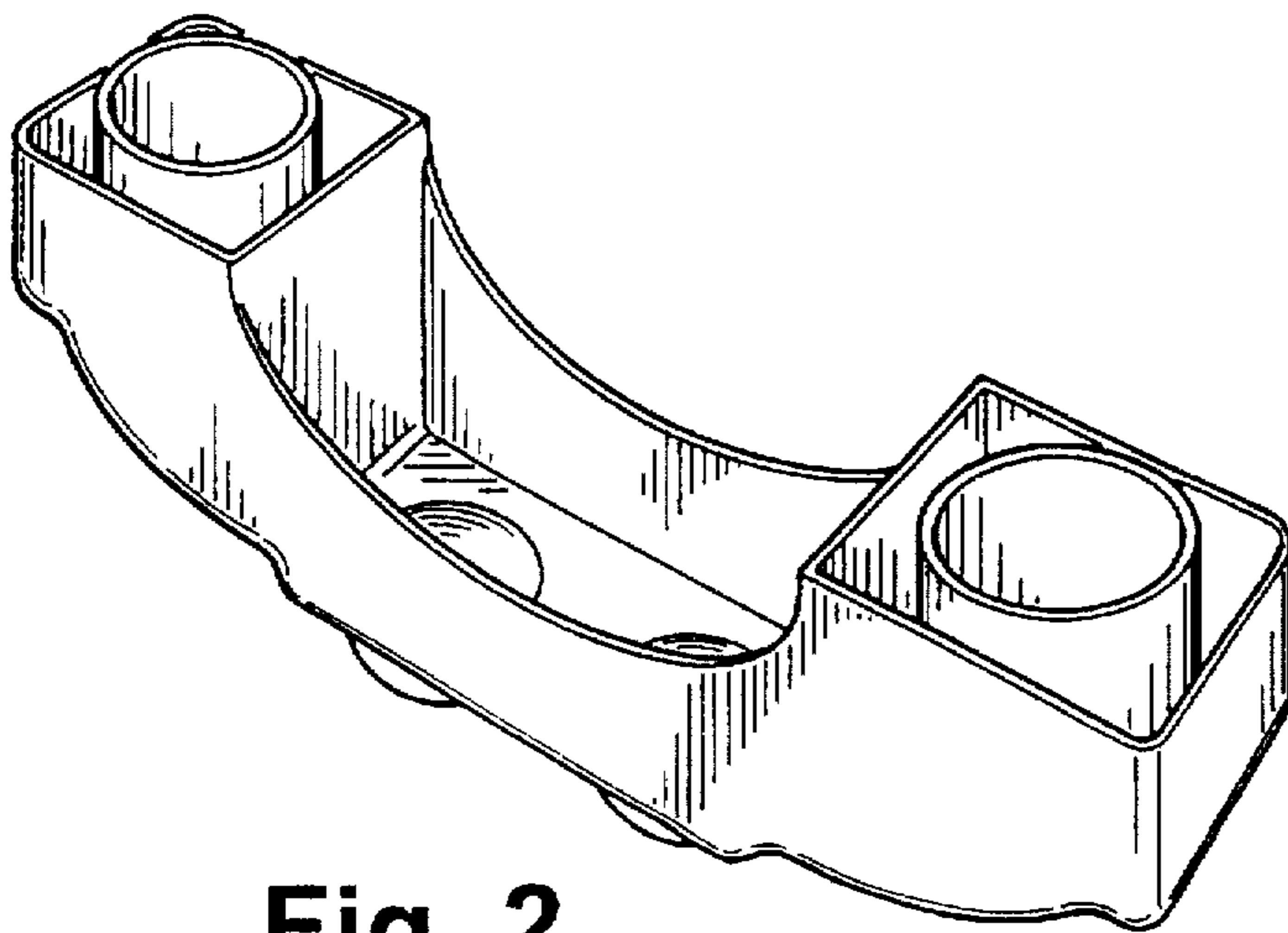


Fig. 2

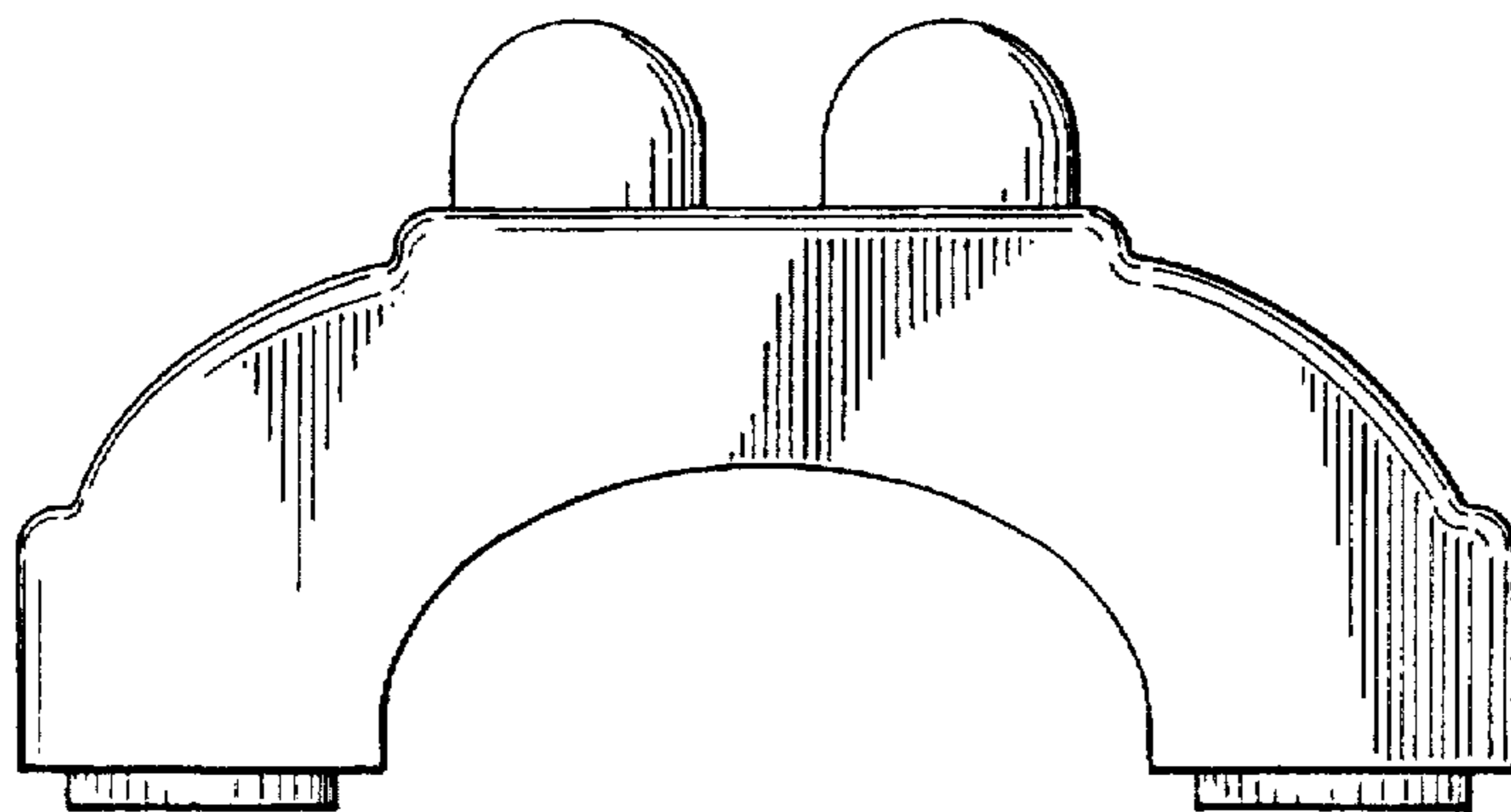


Fig. 3

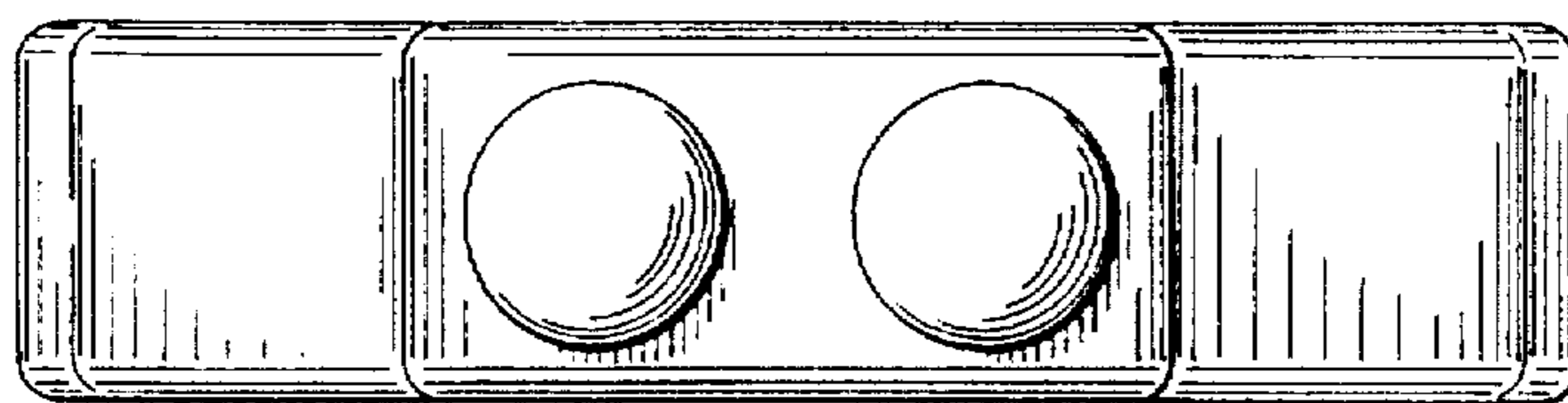


Fig. 8

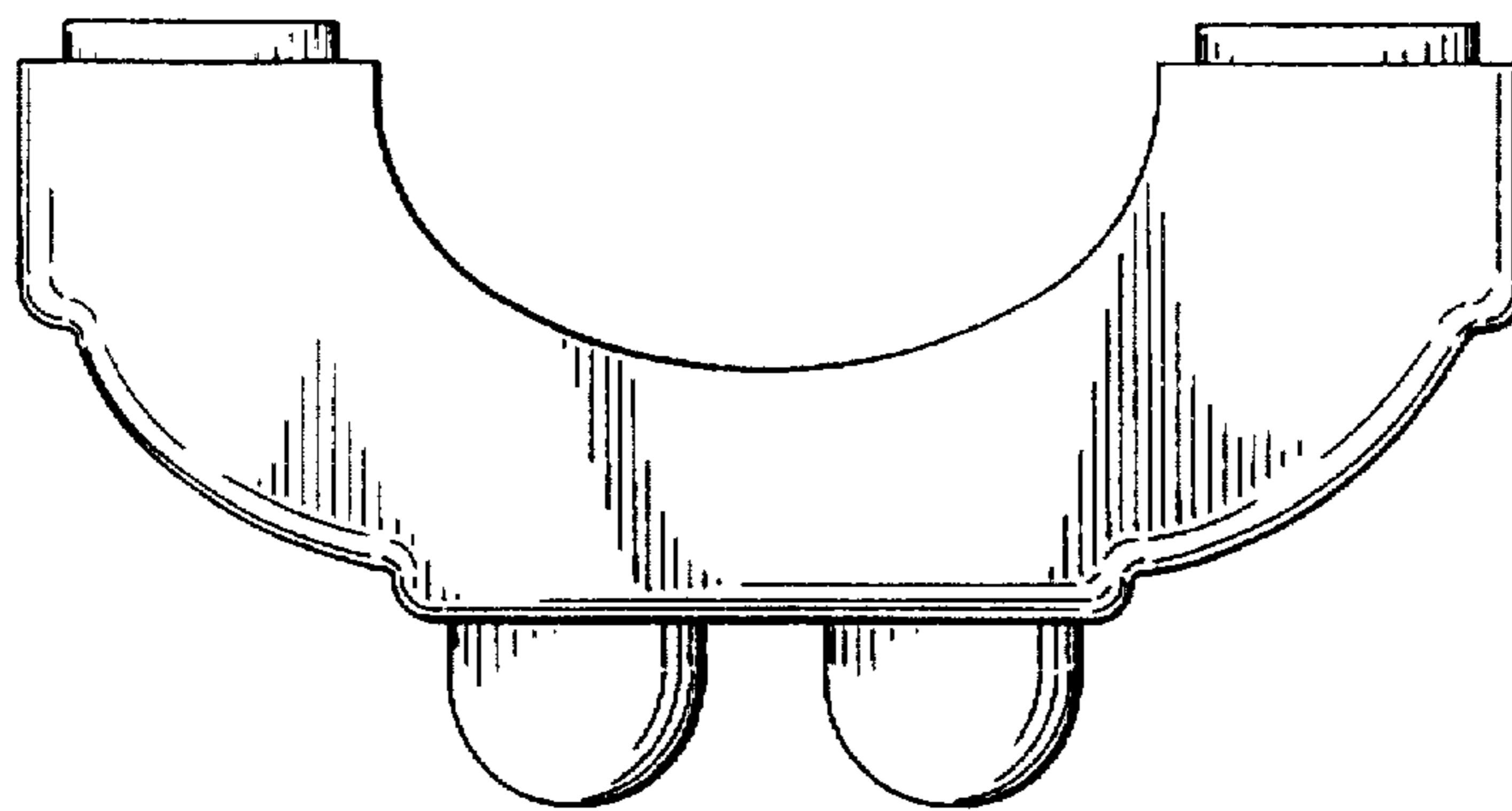


Fig. 6

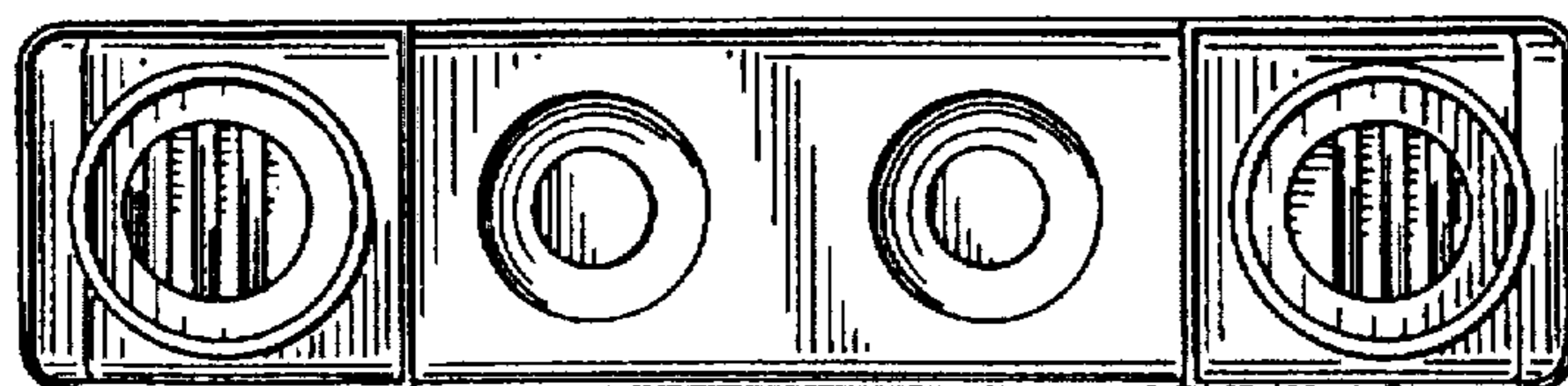


Fig. 7