



US00D394465S

United States Patent [19] Schmidt

[11] Patent Number: **Des. 394,465**
[45] Date of Patent: ****May 19, 1998**

[54] **TOY BUILDING ELEMENT**
[75] Inventor: **Sten Schmidt**, Grindsted, Denmark
[73] Assignee: **INTERLEGO AG**, Baar, Switzerland
[**] Term: **14 Years**

2,013,771 9/1935 Tomkins 446/121
2,861,388 11/1958 Favaretto D21/108
3,414,986 12/1968 Stassen D21/108
4,026,086 5/1977 Langley 446/125
4,744,780 5/1988 Volpe 446/121
5,071,384 12/1991 Poulsen 446/128

[21] Appl. No.: **76,693**
[22] Filed: **Sep. 18, 1997**

Primary Examiner—Raphael Barkai
Attorney, Agent, or Firm—Kane, Dalsimer, Sullivan, Kurucz,
Levy, Eisele and Richard, LLP

[51] **LOC (6) Cl.** **21-01**
[52] **U.S. Cl.** **D21/108**
[58] **Field of Search** D21/108, 141,
D21/114; D25/113, 118; 446/85, 117, 120,
121, 124, 125, 128, 476

[57] **CLAIM**
The ornamental design for a toy building element, as shown
and described.

[56] **References Cited**

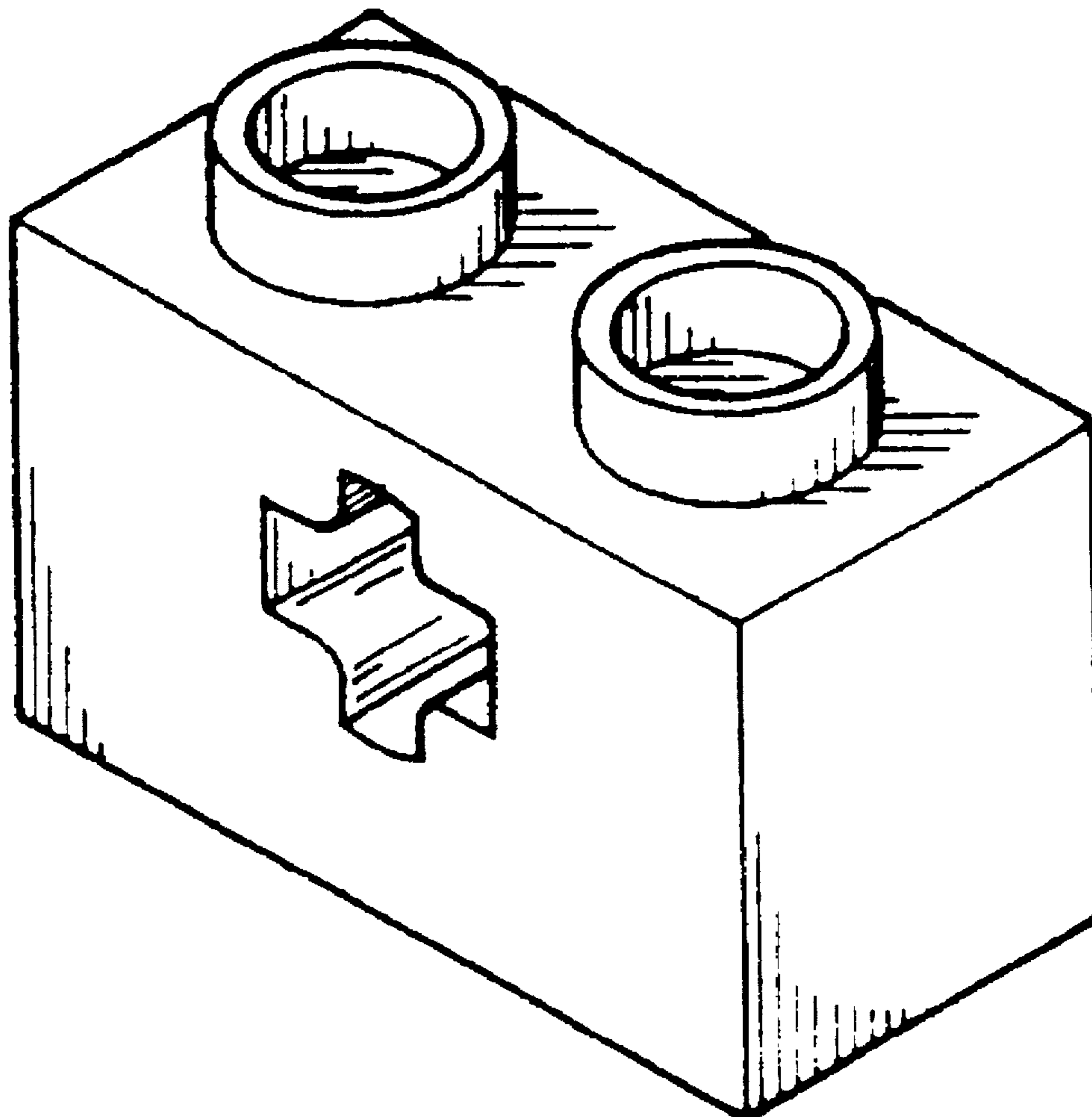
DESCRIPTION

U.S. PATENT DOCUMENTS

D. 279,915 7/1985 Arnaupibet D21/108
D. 305,442 1/1990 Knudsen D21/108
D. 353,168 12/1994 Glynn D21/108
D. 362,875 10/1995 Vognsen D21/108
D. 363,513 10/1995 Frederiksen D21/108
D. 373,606 9/1996 Knudsen D21/108
D. 378,837 4/1997 Olsen et al. D21/108

FIG. 1 is a top perspective view of the toy building element;
FIG. 2 is a bottom perspective view thereof;
FIG. 3 is a front elevational view thereof;
FIG. 4 is a right side elevational view thereof;
FIG. 5 is a left side elevational view thereof;
FIG. 6 is a rear elevational view thereof;
FIG. 7 is a bottom plan view thereof; and,
FIG. 8 is a top plan view thereof.

1 Claim, 1 Drawing Sheet



U.S. Patent

May 19, 1998

Des. 394,465

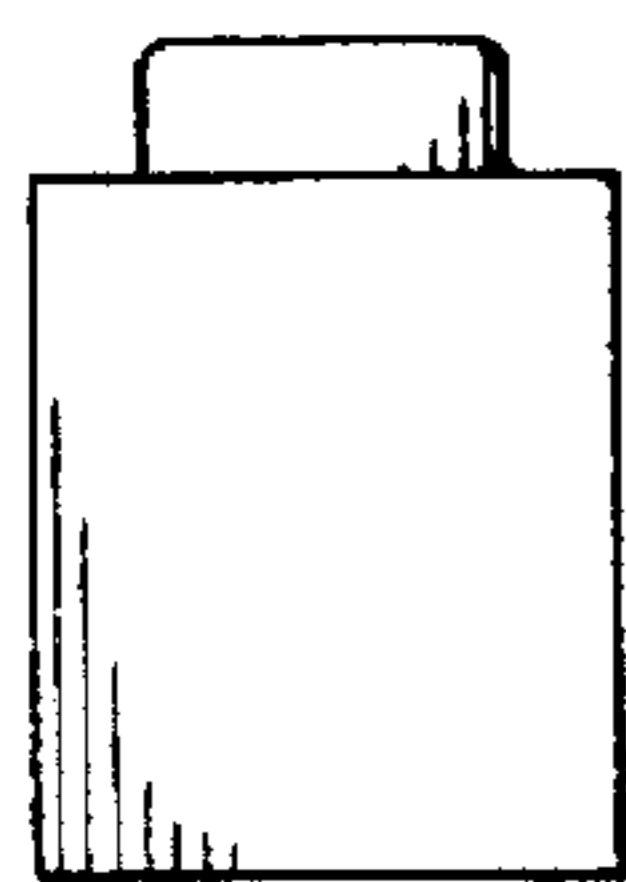


Fig. 3

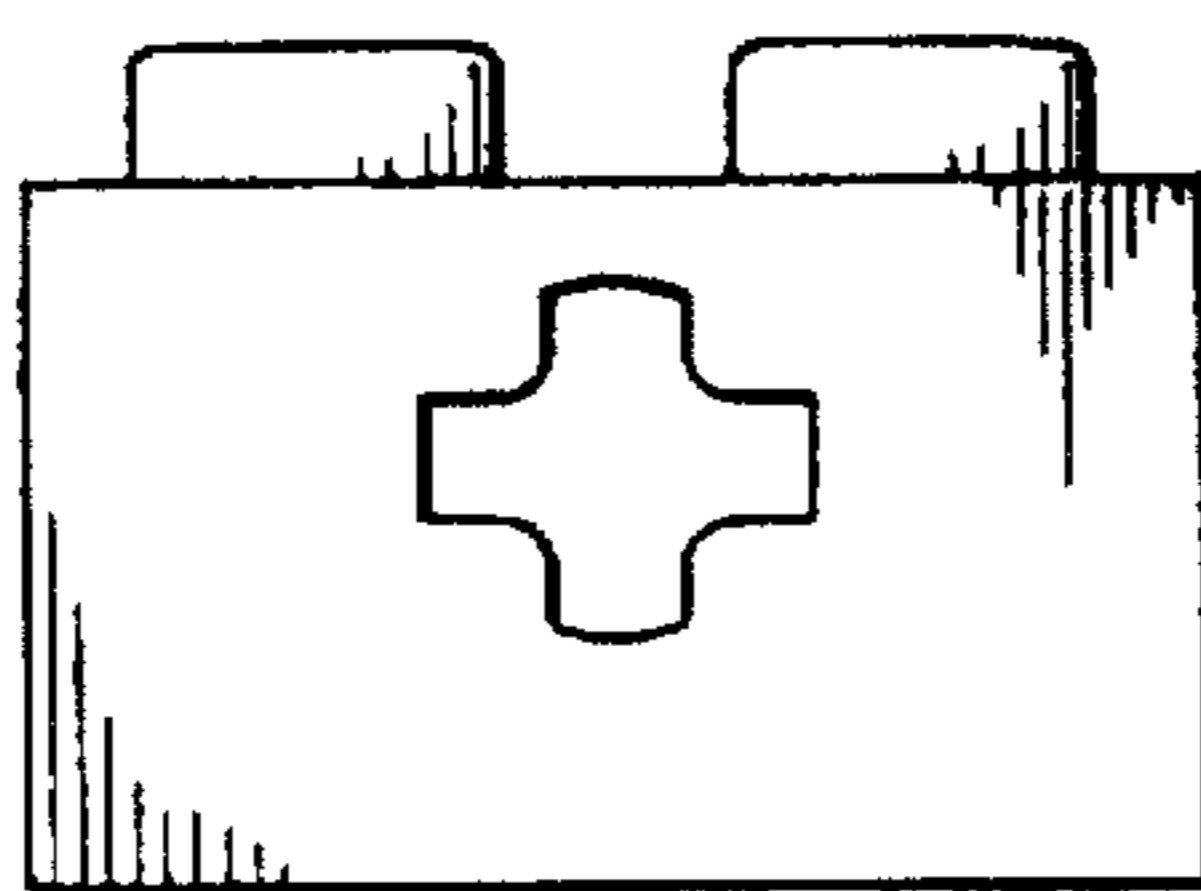


Fig. 4



Fig. 6

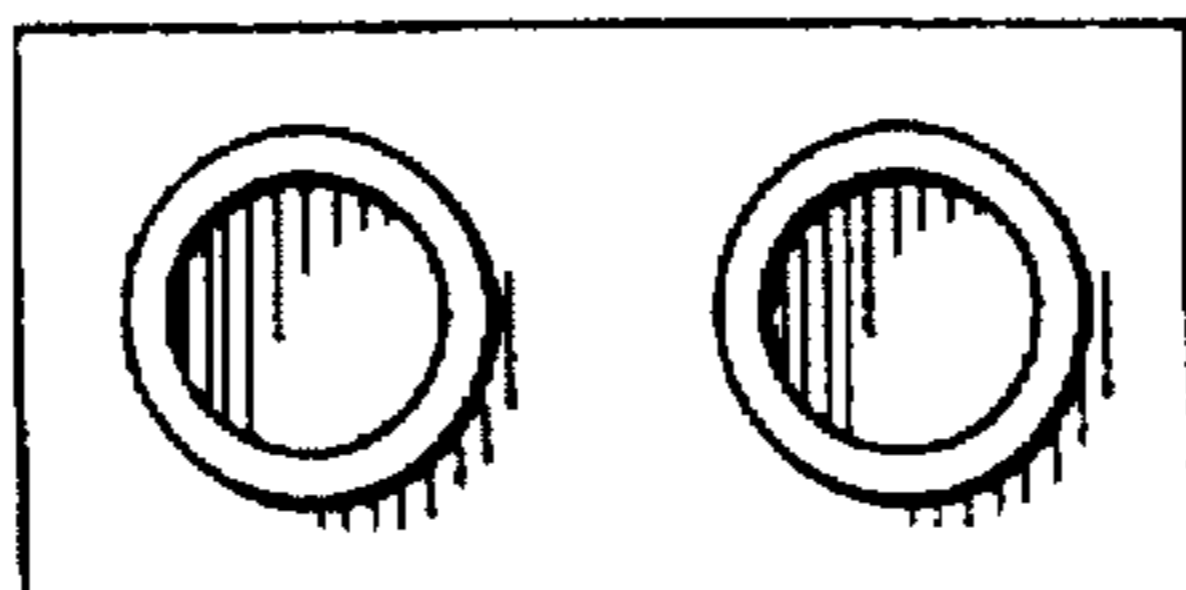


Fig. 8

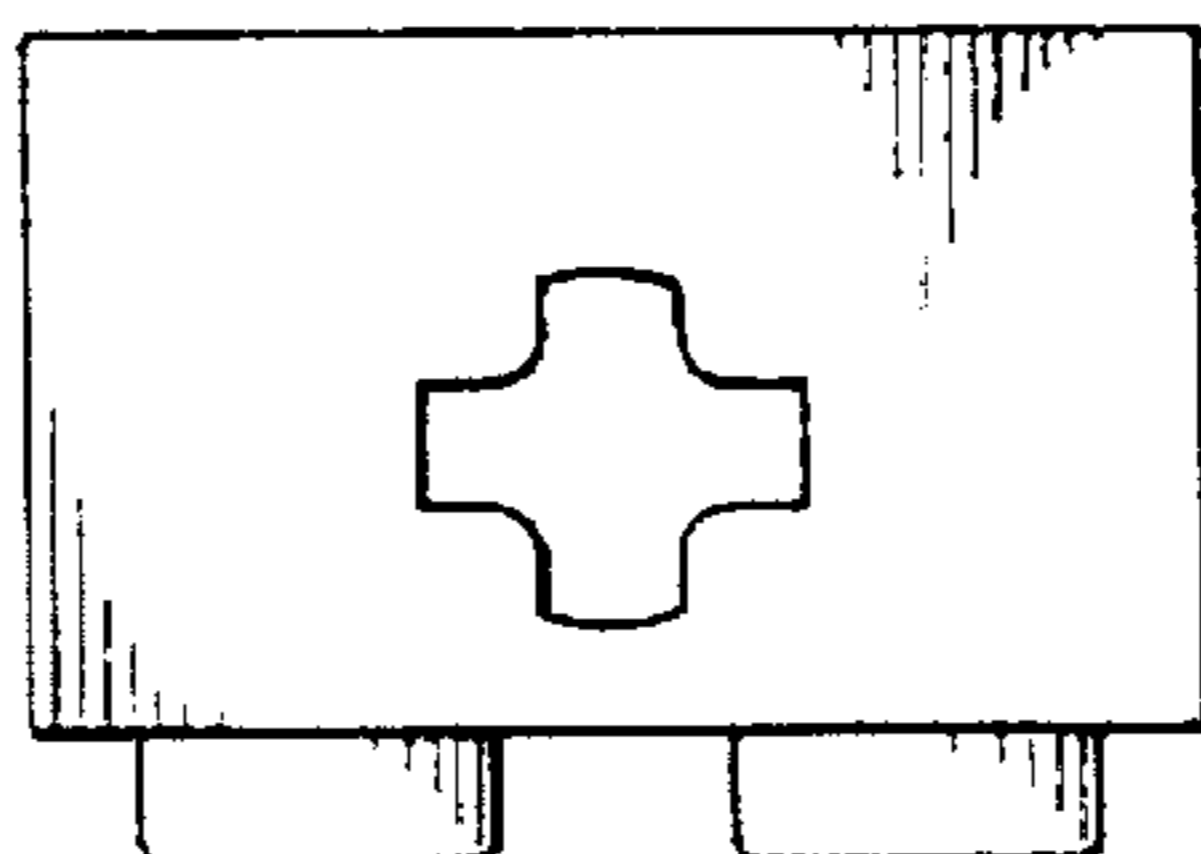


Fig. 5

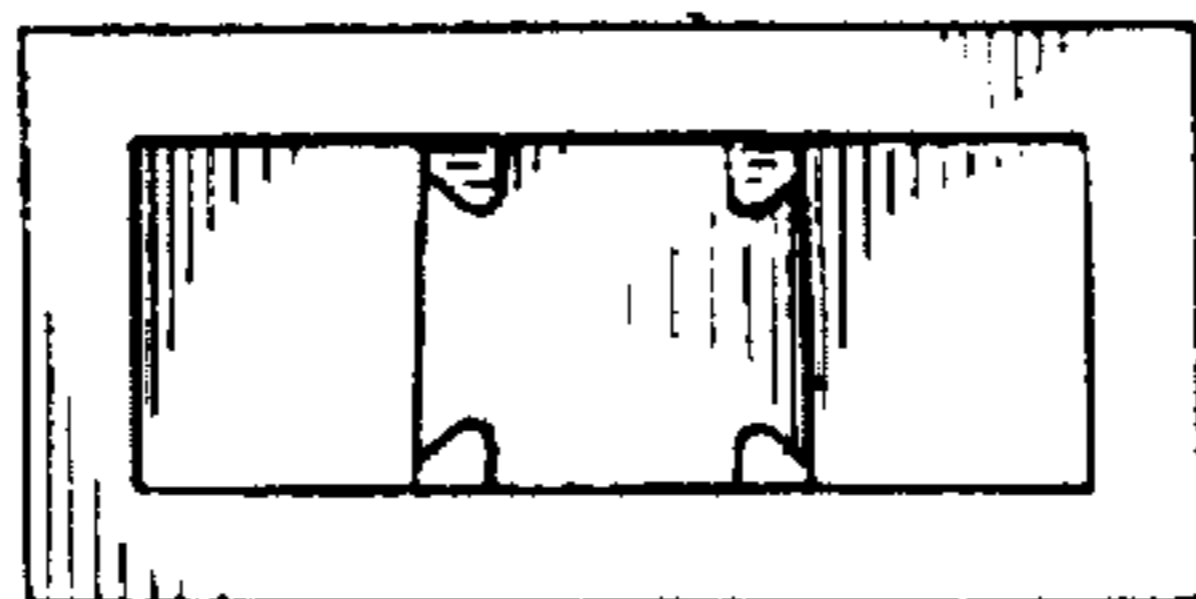


Fig. 7

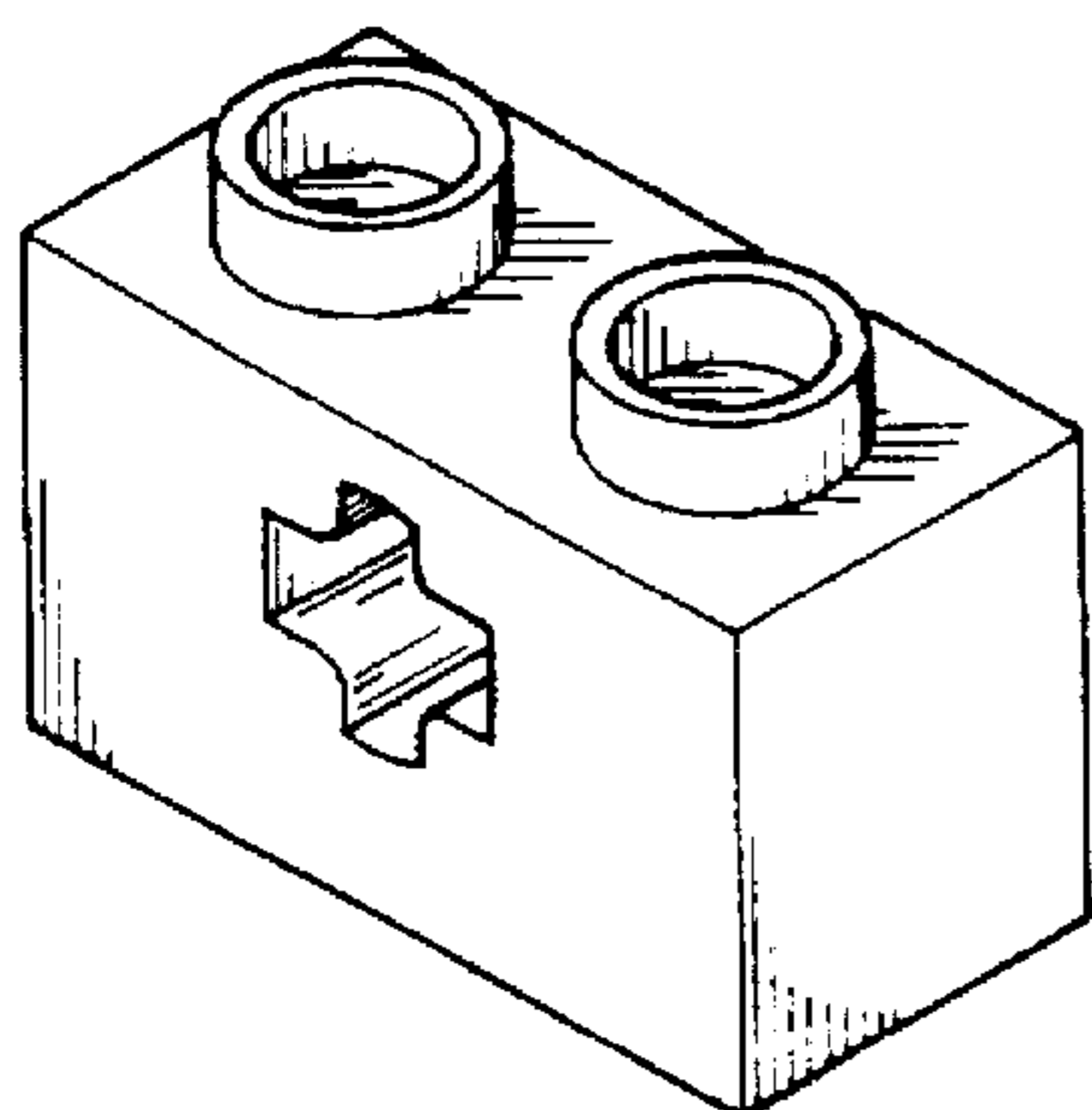


Fig. 1

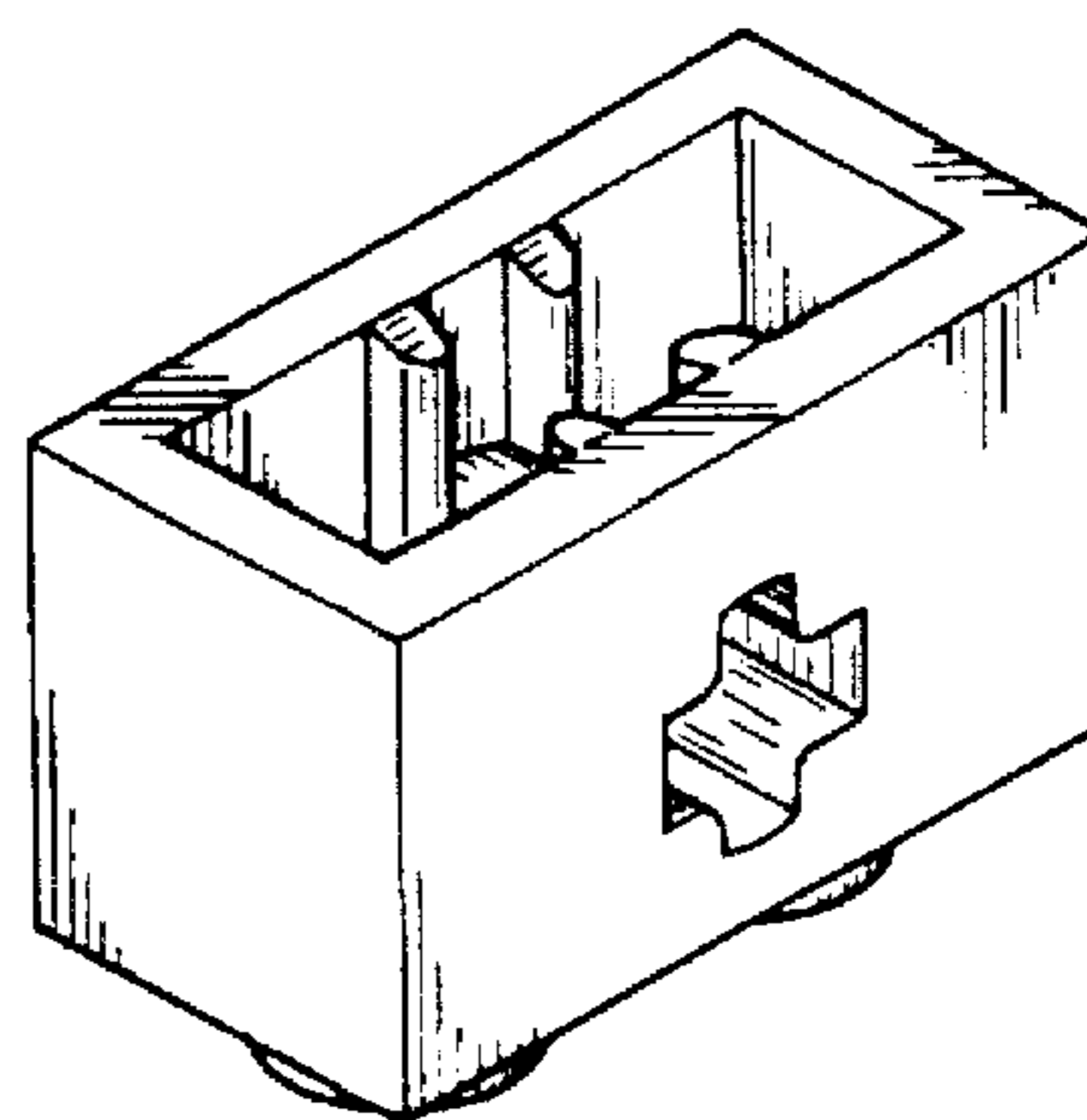


Fig. 2