



US00D394464S

United States Patent [19]
Pagel

[11] **Patent Number: Des. 394,464**

[45] **Date of Patent: **May 19, 1998**

[54] **TOY BUILDING ELEMENT**

4,906,215 3/1990 Reiling, Jr. et al. 446/121
5,071,384 12/1991 Poulsen 446/128

[75] **Inventor: Kim Pagel, Billund, Denmark**

Primary Examiner—Raphael Barkai
Attorney, Agent, or Firm—Kane, Dalsimer, Sullivan,
Kurucz, Levy, Eisele and Richard, LLP

[73] **Assignee: INTERLEGO AG, Baar, Switzerland**

[**] **Term: 14 Years**

[57] **CLAIM**

[21] **Appl. No.: 76,691**

The ornamental design for a toy building element, as shown and described.

[22] **Filed: Sep. 18, 1997**

DESCRIPTION

[51] **LOC (6) Cl. 21-01**

[52] **U.S. Cl. D21/108**

[58] **Field of Search** D21/108, 109,
D21/124, 125, 128, 134, 141; 446/88, 93,
103, 105, 106, 120, 121, 124, 125, 128

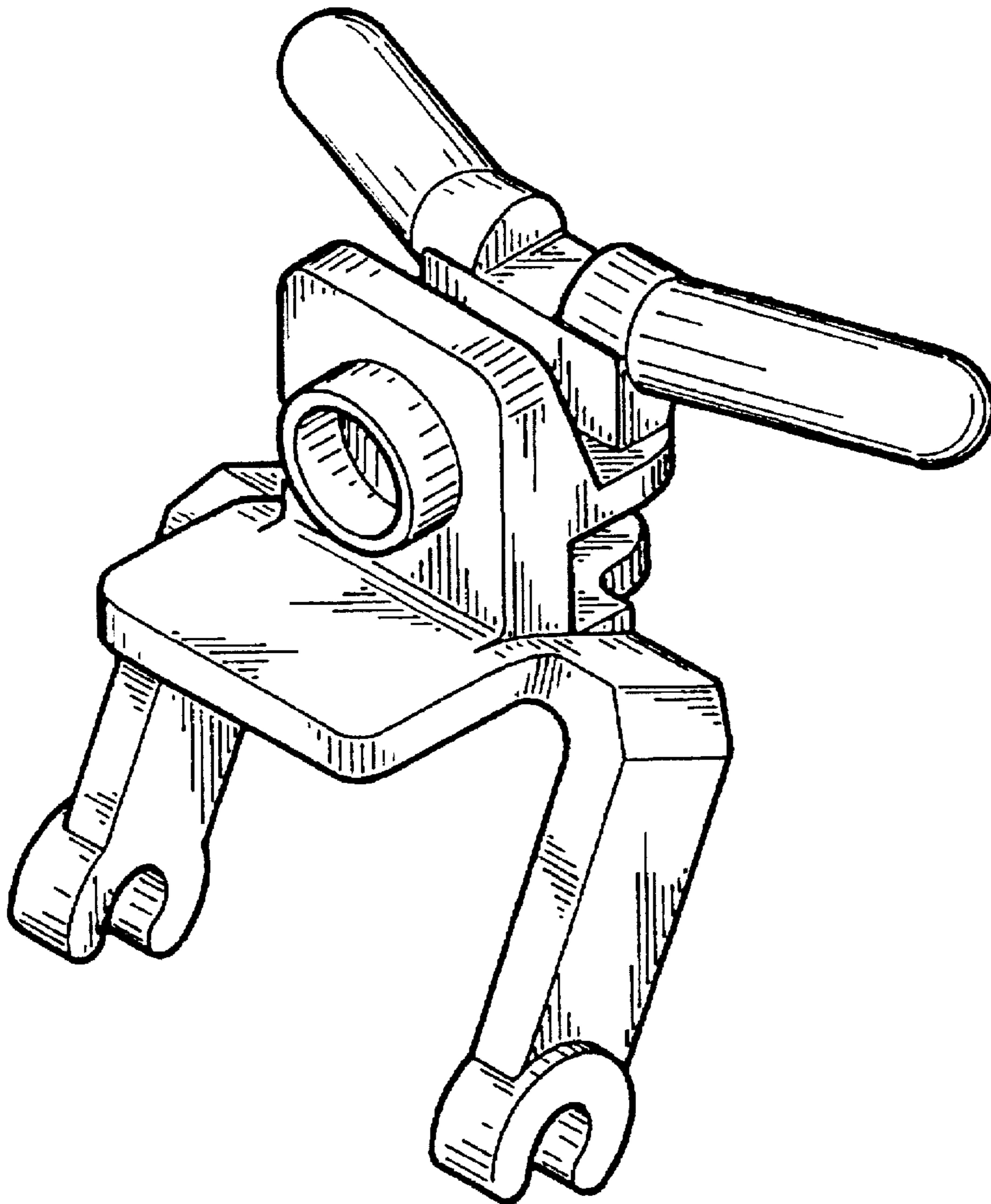
FIG. 1 is a top perspective view of the toy building element;
FIG. 2 is a bottom perspective view thereof;
FIG. 3 is a front elevational view thereof;
FIG. 4 is a right side elevational view thereof;
FIG. 5 is a left side elevational view thereof;
FIG. 6 is a rear elevational view thereof;
FIG. 7 is a bottom plan view thereof; and,
FIG. 8 is a top plan view thereof.

[56] **References Cited**

U.S. PATENT DOCUMENTS

D. 280,750 9/1985 Toshimasa D21/134
D. 304,221 10/1989 Poulsen D21/108
D. 329,881 9/1992 Spangenberg D21/108

1 Claim, 2 Drawing Sheets



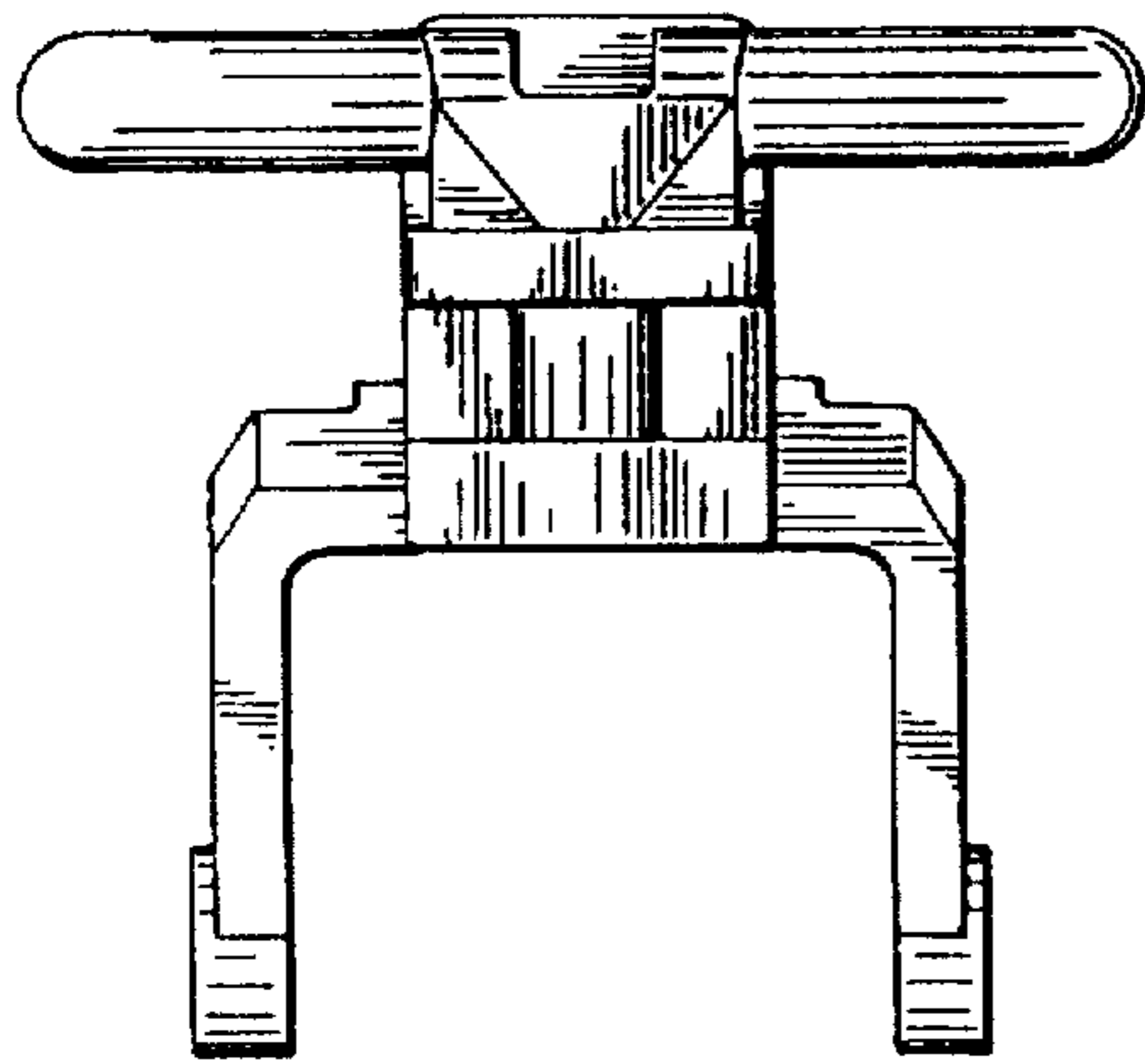


Fig. 6

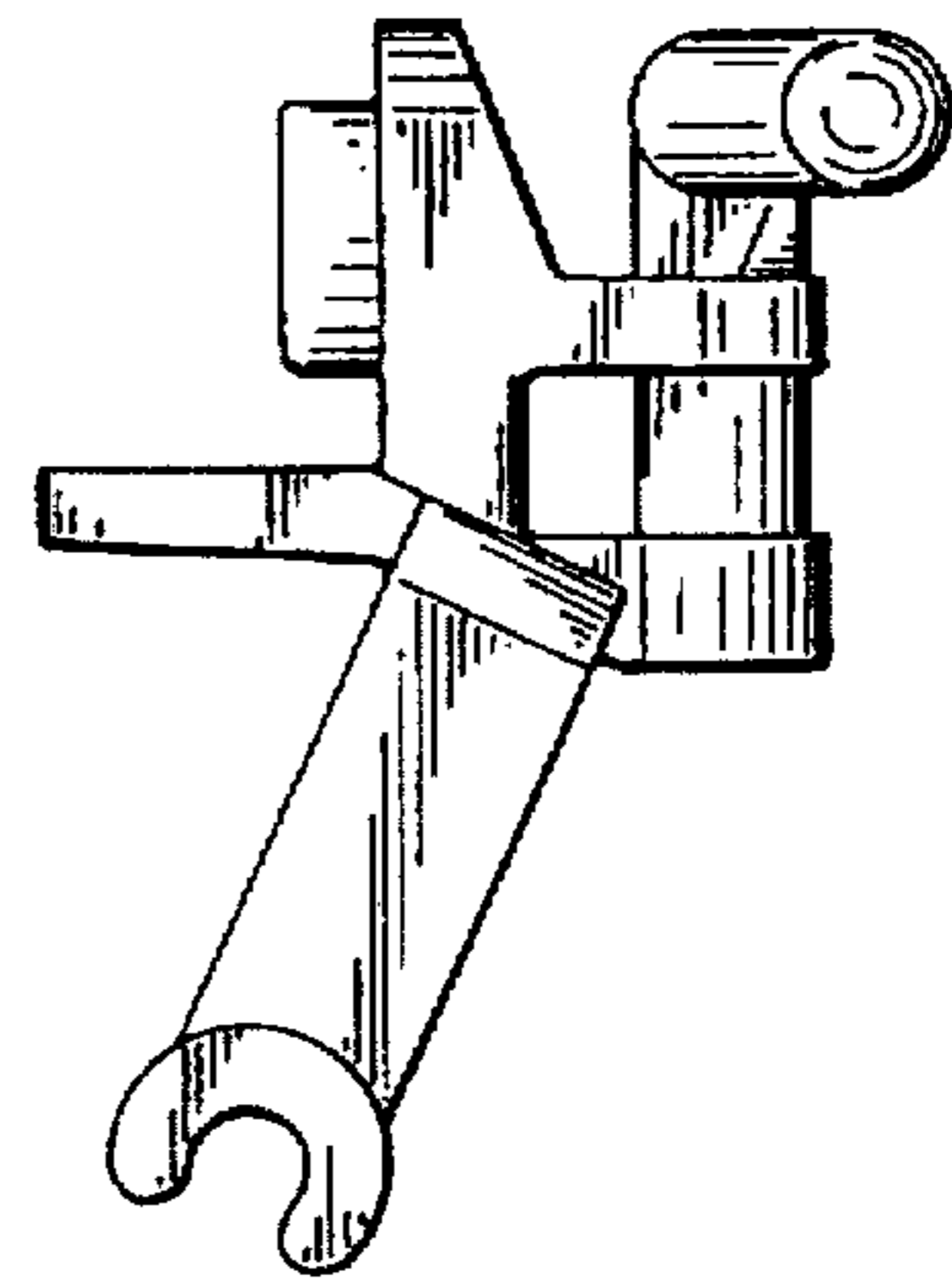


Fig. 4

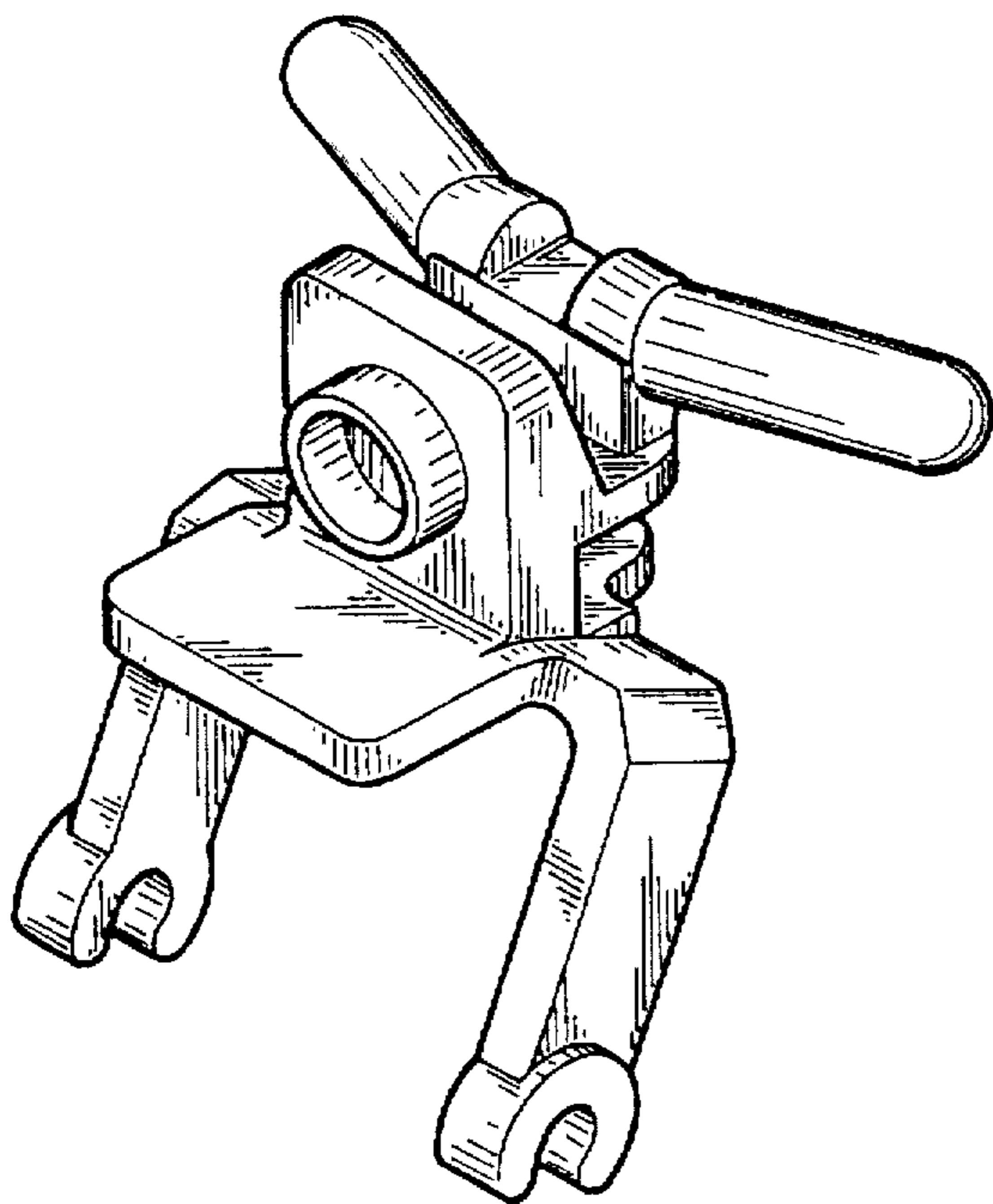


Fig. 1

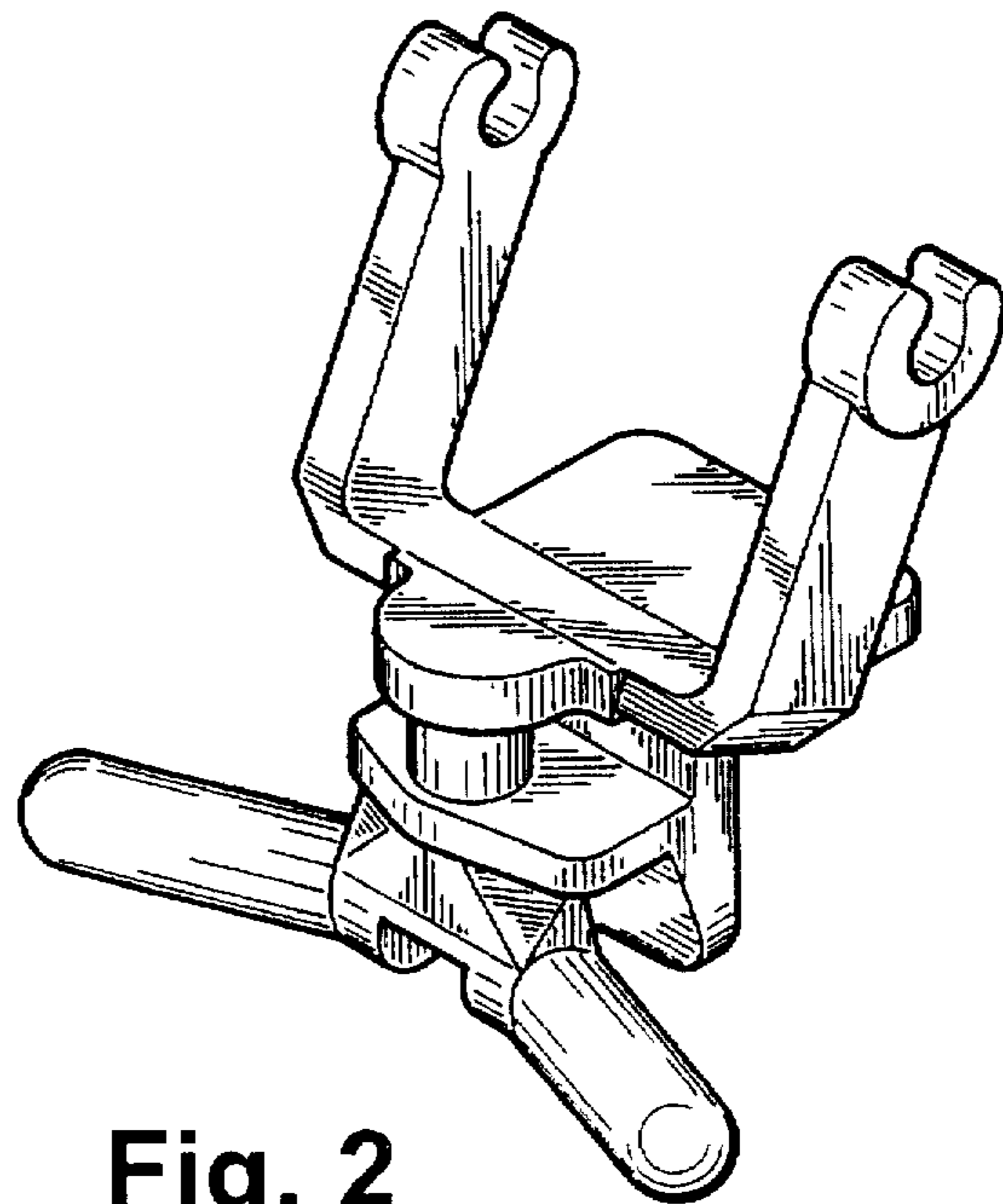


Fig. 2

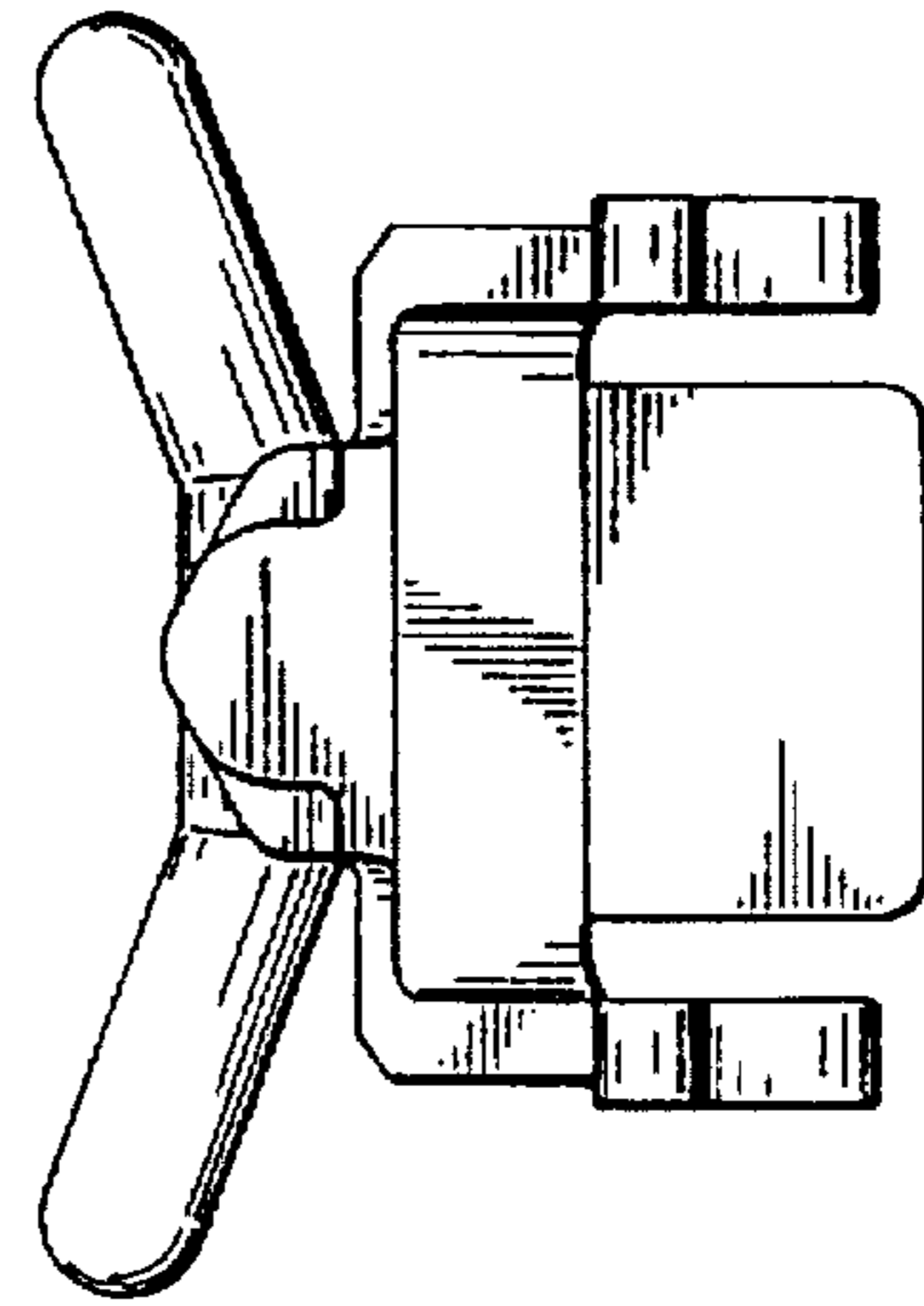


Fig. 7

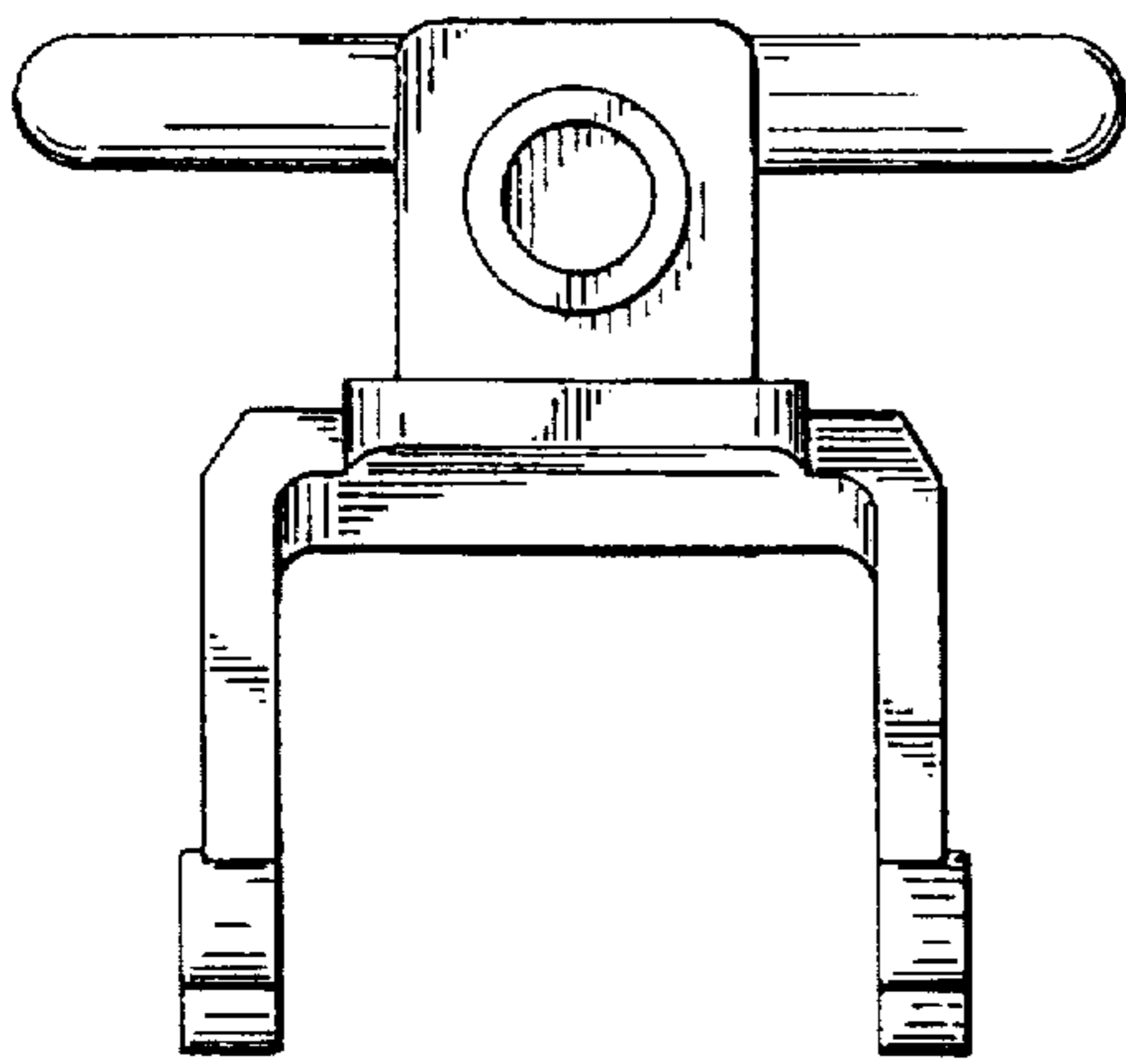


Fig. 3

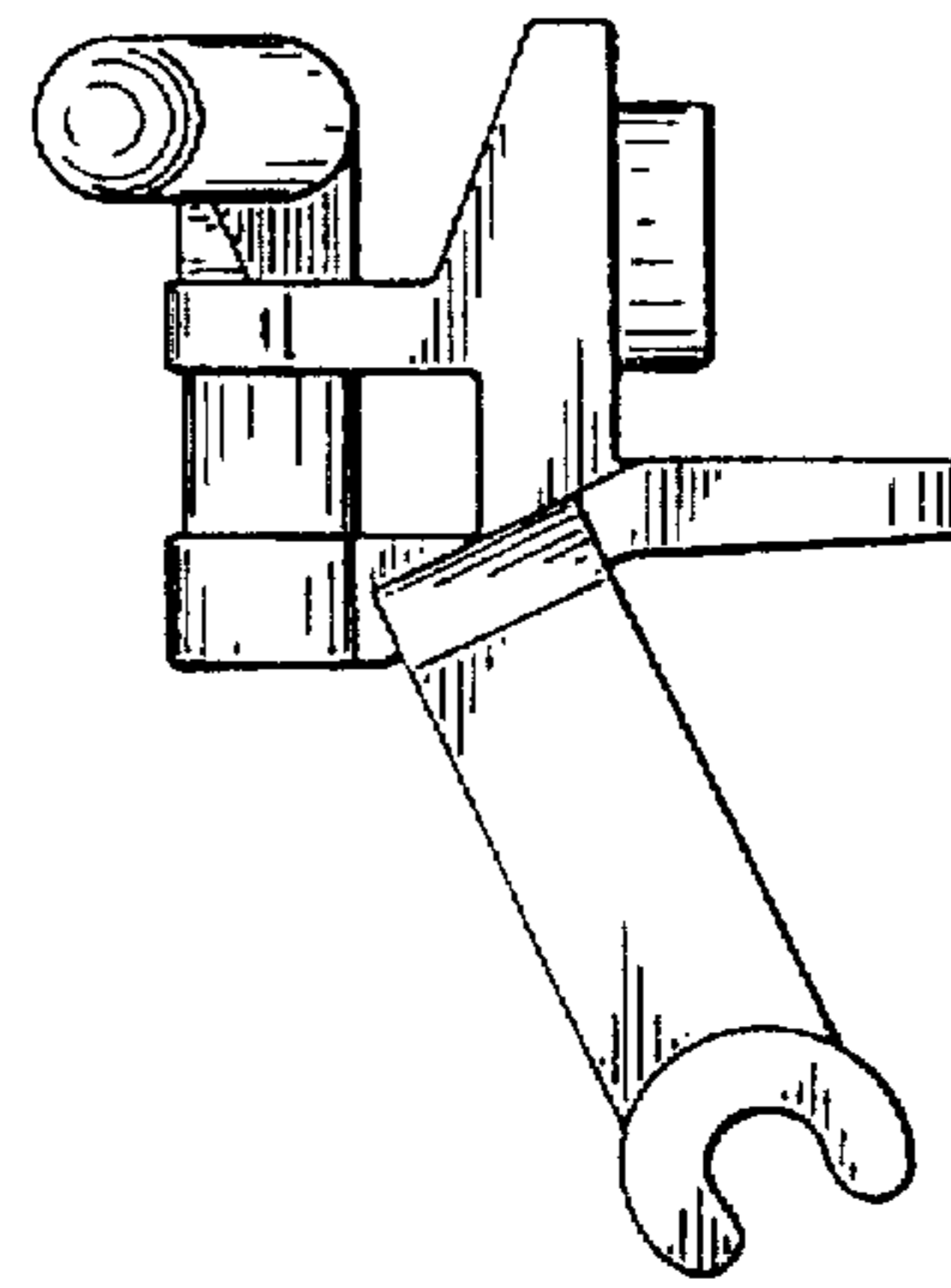


Fig. 5

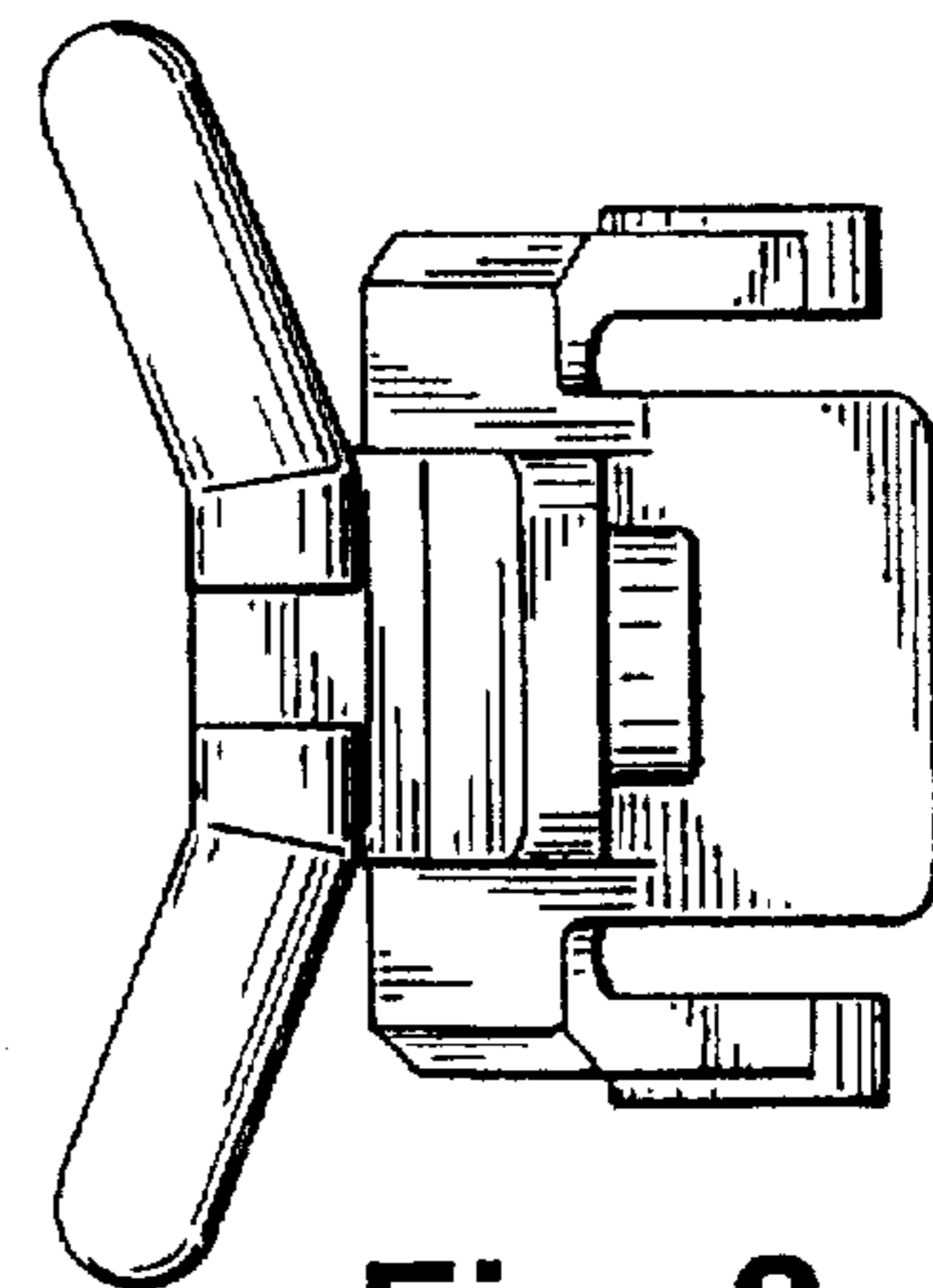


Fig. 8