



US00D394460S

United States Patent [19]

Schilling

[11] Patent Number: **Des. 394,460**

[45] Date of Patent: ****May 19, 1998**

[54] RING CATCH GAME

5,377,974 1/1995 Rivera 273/126 R

[76] Inventor: **Victor F. Schilling**, 37403 B Hwy. 228,
Sweet Home, Oreg. 97386

Primary Examiner—Prabhakar G. Deshmukh

[**] Term: **14 Years**

[57] CLAIM

The ornamental design for a ring catch game, as shown.

[21] Appl. No.: **77,327**

DESCRIPTION

[22] Filed: **Sep. 30, 1997**

FIG. 1 is a front elevational view of the ring catch game showing my new design; the broken line showing of another catcher is for illustrative purpose only and forms no part of the claim;

[51] LOC (6) Cl. **21-01**

[52] U.S. Cl. **D21/2**

[58] Field of Search D21/1-5, 11; 273/336-339,
273/126 R. 341, 343, 424, 428, 126 A

FIG. 2 is a back elevational view of the ring catch game of FIG. 1;

FIG. 3 is a right side elevational view of the ring catch game of FIG. 1;

FIG. 4 is a left side elevational view of the ring catch game of FIG. 1;

[56] References Cited

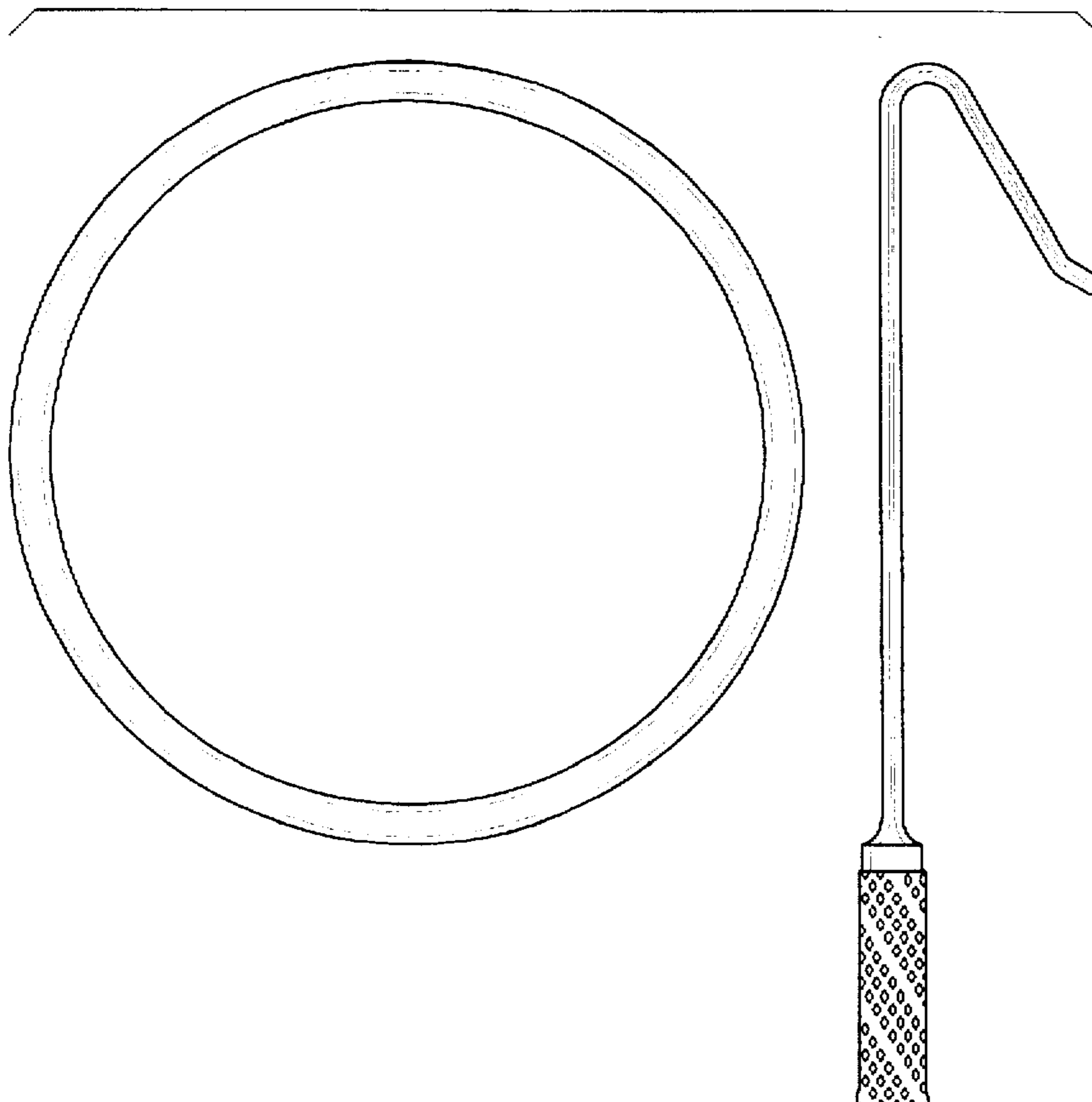
U.S. PATENT DOCUMENTS

D. 288,828	3/1987	Romestan et al.	D21/5 X
3,586,330	6/1971	Lema	273/339
3,810,625	5/1974	Gulline	273/338
4,180,266	12/1979	Morin et al.	273/338
4,386,779	6/1983	Whitlock	273/336
4,804,192	2/1989	Matsumoto et al.	273/336

FIG. 5 is a top plan view of the ring catch game of FIG. 1; and,

FIG. 6 is a bottom plan view of the ring catch game of FIG. 1.

1 Claim, 3 Drawing Sheets



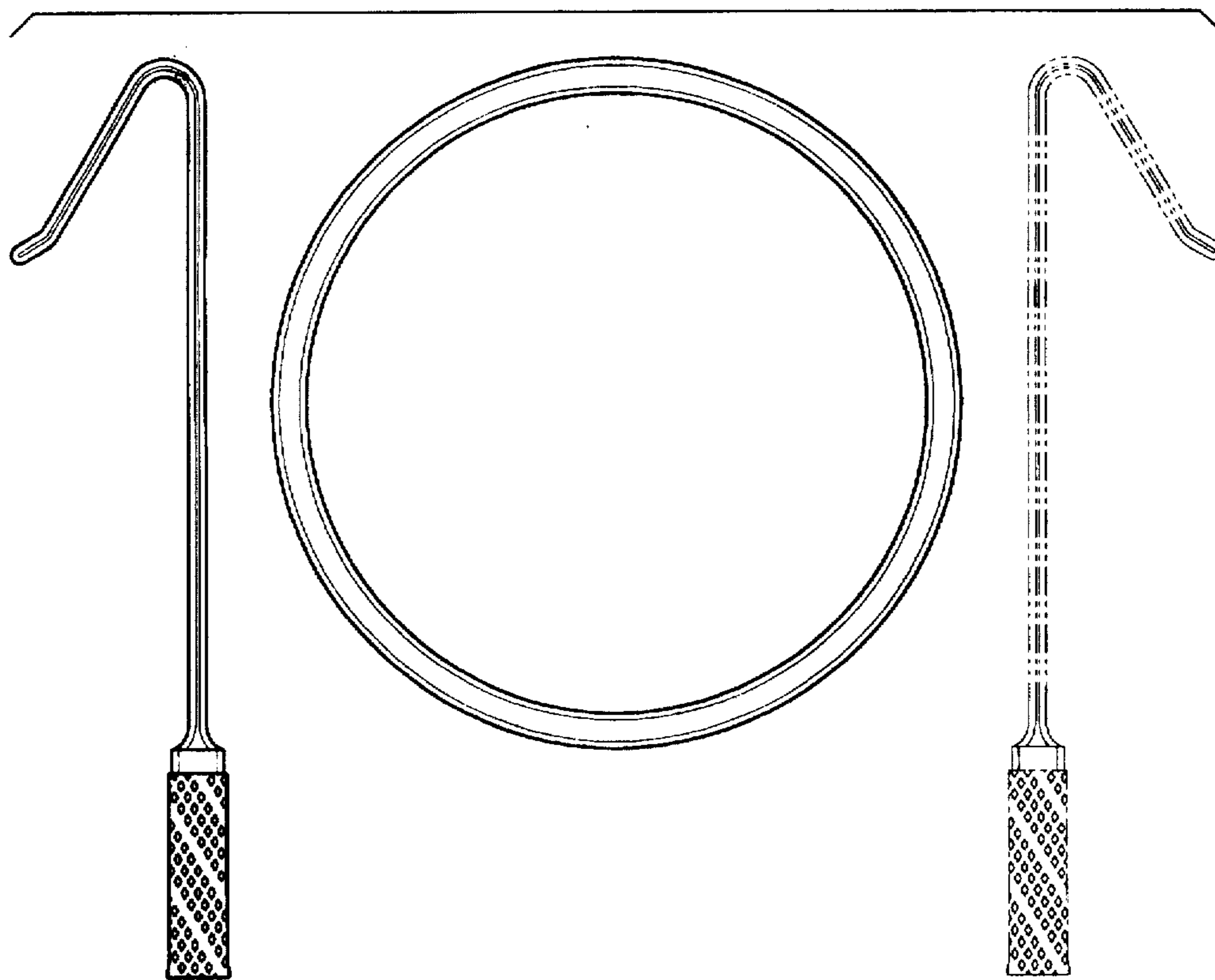


Fig. 1

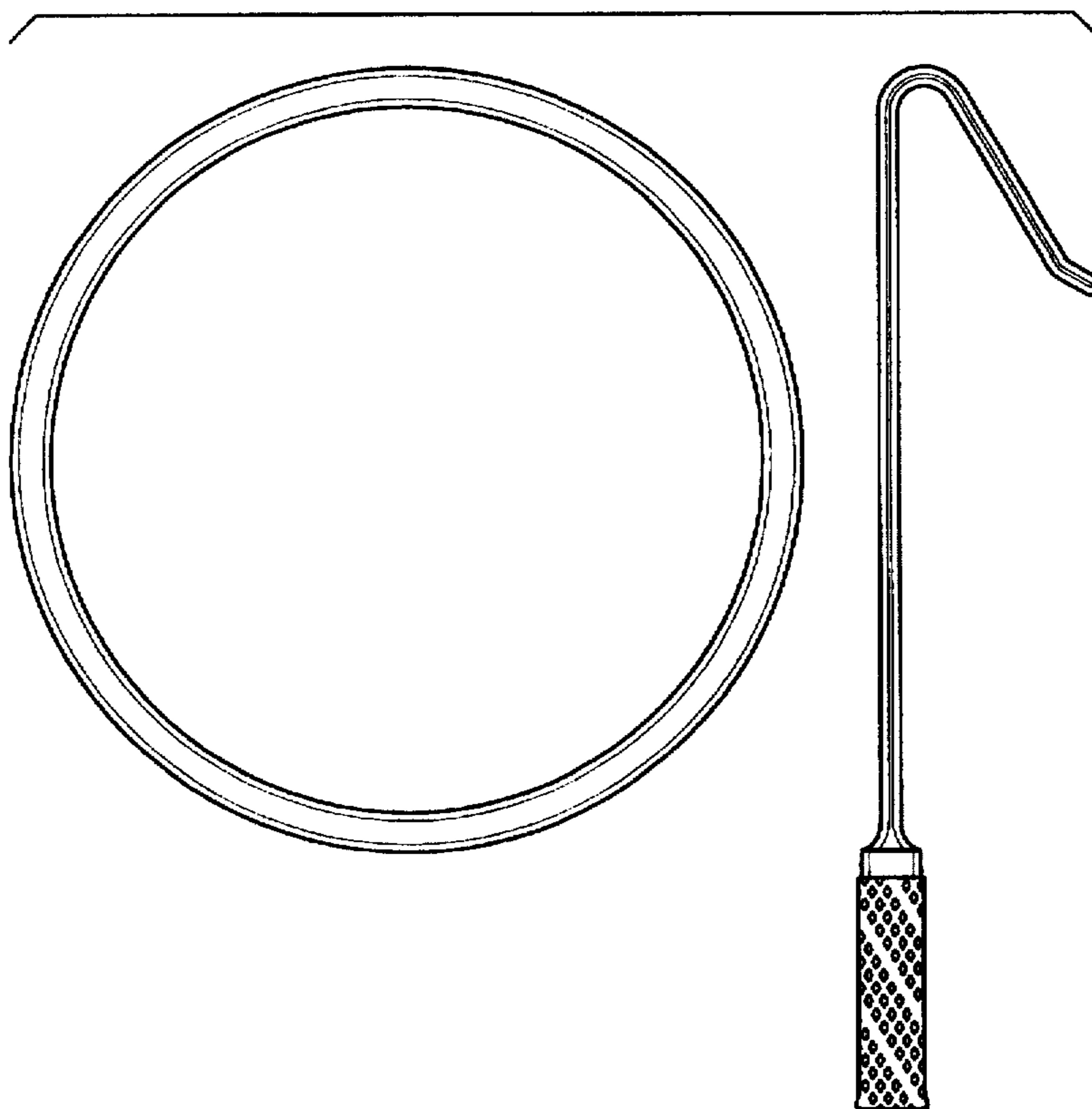


Fig. 2

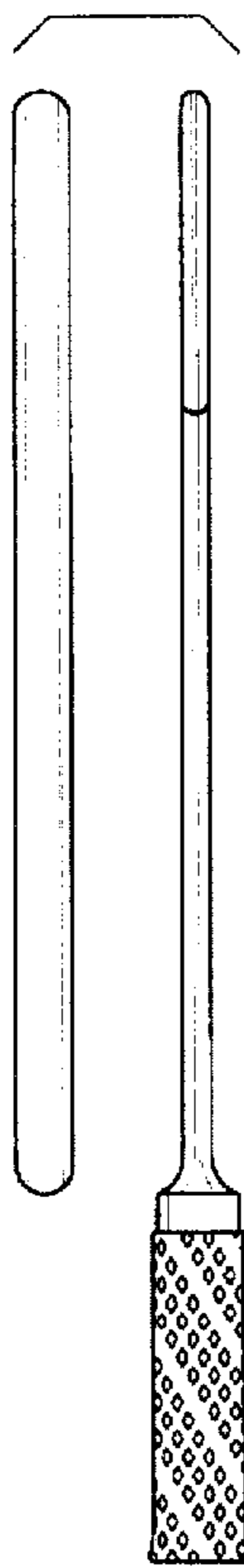


Fig. 3

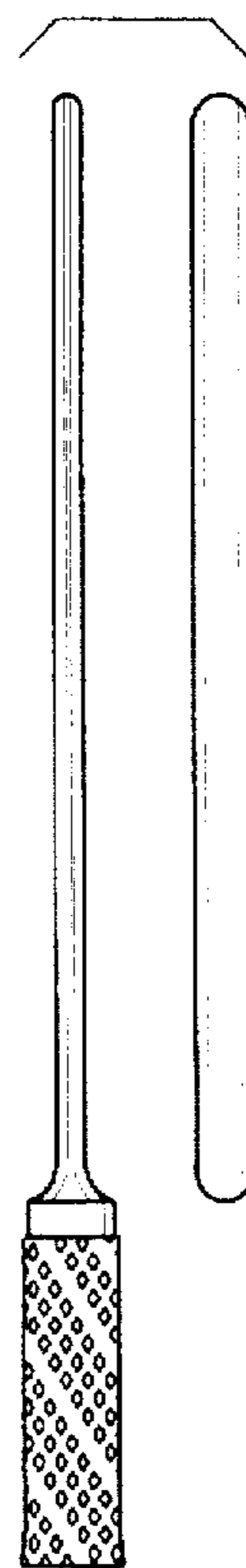


Fig. 4

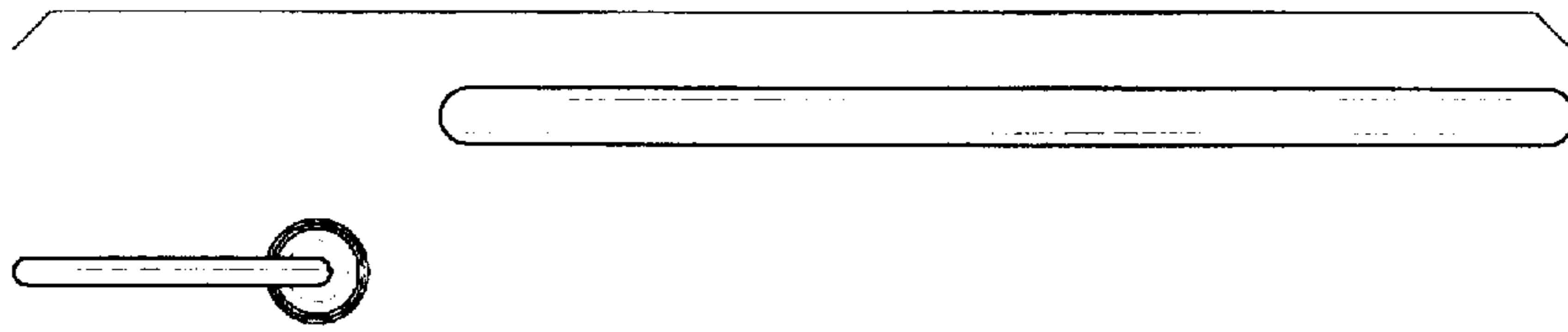


Fig. 5

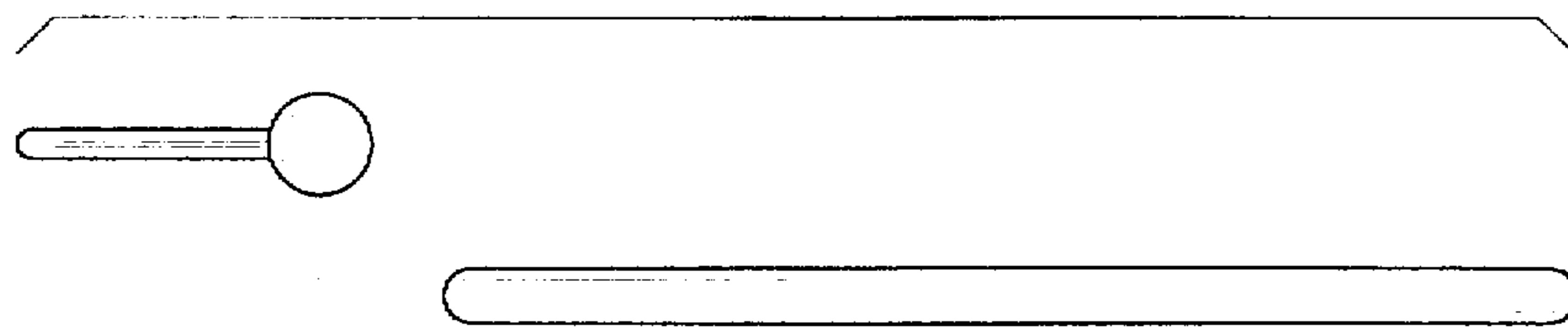


Fig. 6