



US00D394451S

United States Patent [19]
Okada

[11] **Patent Number: Des. 394,451**

[45] **Date of Patent: **May 19, 1998**

[54] **TONER CARTRIDGE**

[75] **Inventor: Mitsuharu Okada, Osaka, Japan**

[73] **Assignee: Mita Industrial Co., Ltd., Osaka, Japan**

[**] **Term: 14 Years**

[21] **Appl. No.: 50,796**

[22] **Filed: Feb. 26, 1996**

[30] **Foreign Application Priority Data**

Sep. 1, 1995 [JP] Japan 7-25850

[51] **LOC (6) Cl. 16-03**

[52] **U.S. Cl. D18/43; D18/40**

[58] **Field of Search D18/22, 40, 43; 118/657; 206/216, 316, 446, 461, 467, 474, 495, 527, 532, 601, 628, 631, 633; 222/DIG. 1, 166, 240, 325, 541; 355/298, 260; 141/1**

[56] **References Cited**

U.S. PATENT DOCUMENTS

D. 310,845 9/1990 Ohata D18/43

D. 331,773 12/1992 Shibata D18/43
D. 346,819 5/1994 Taniguchi et al. D18/43

FOREIGN PATENT DOCUMENTS

139898 8/1990 Taiwan .

Primary Examiner—Caron D. Veynar
Attorney, Agent, or Firm—Spencer & Frank

[57] **CLAIM**

The ornamental design for a toner cartridge, as shown.

DESCRIPTION

FIG. 1 is a front view of a toner cartridge;
FIG. 2 is a back view of a toner cartridge;
FIG. 3 is a left side elevational view of a toner cartridge;
FIG. 4 is a right side elevational view of a toner cartridge;
FIG. 5 is a top view of a toner cartridge;
FIG. 6 is a bottom view of a toner cartridge; and,
FIG. 7 is a perspective view of a toner cartridge.

1 Claim, 3 Drawing Sheets

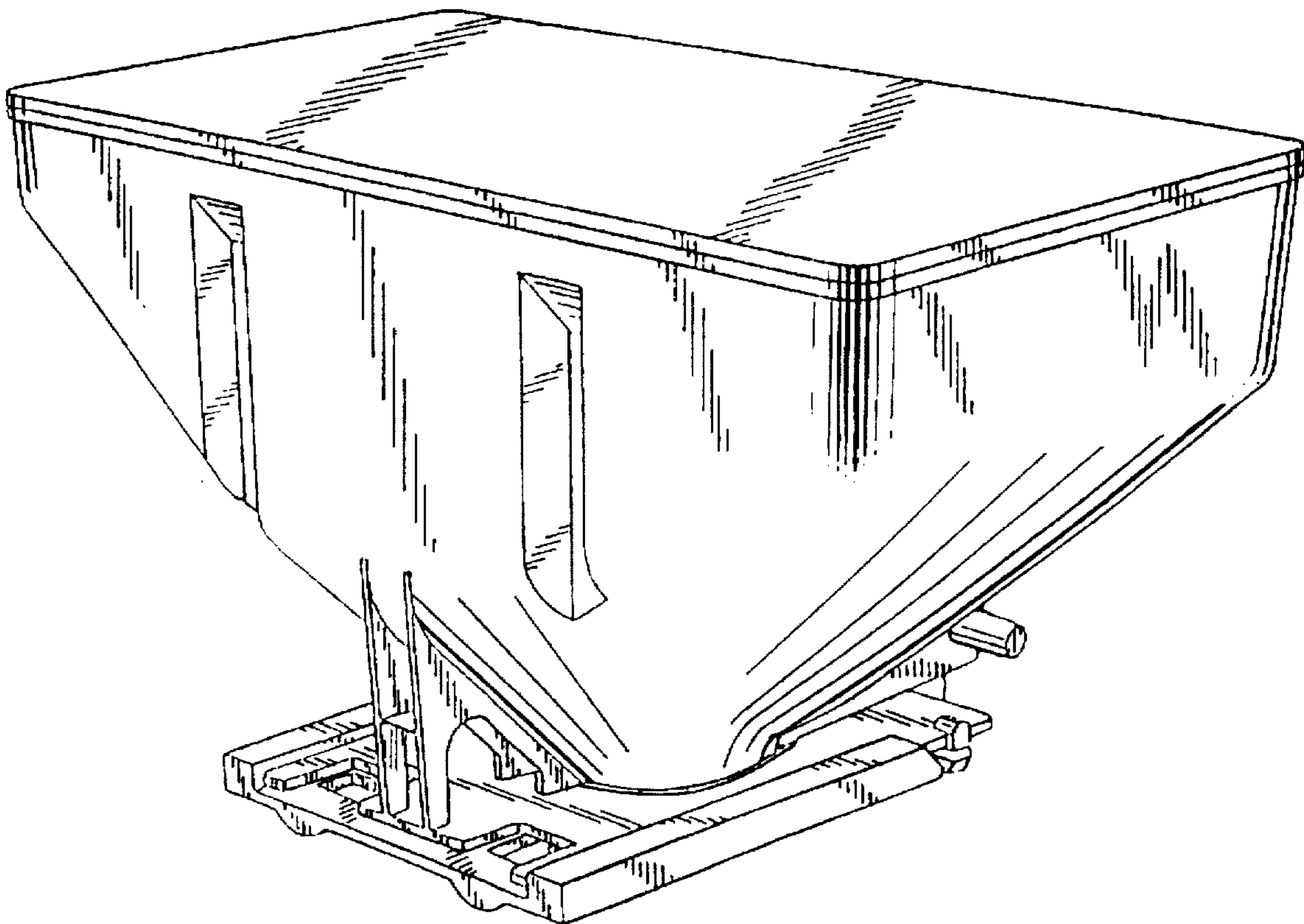


FIG. 1

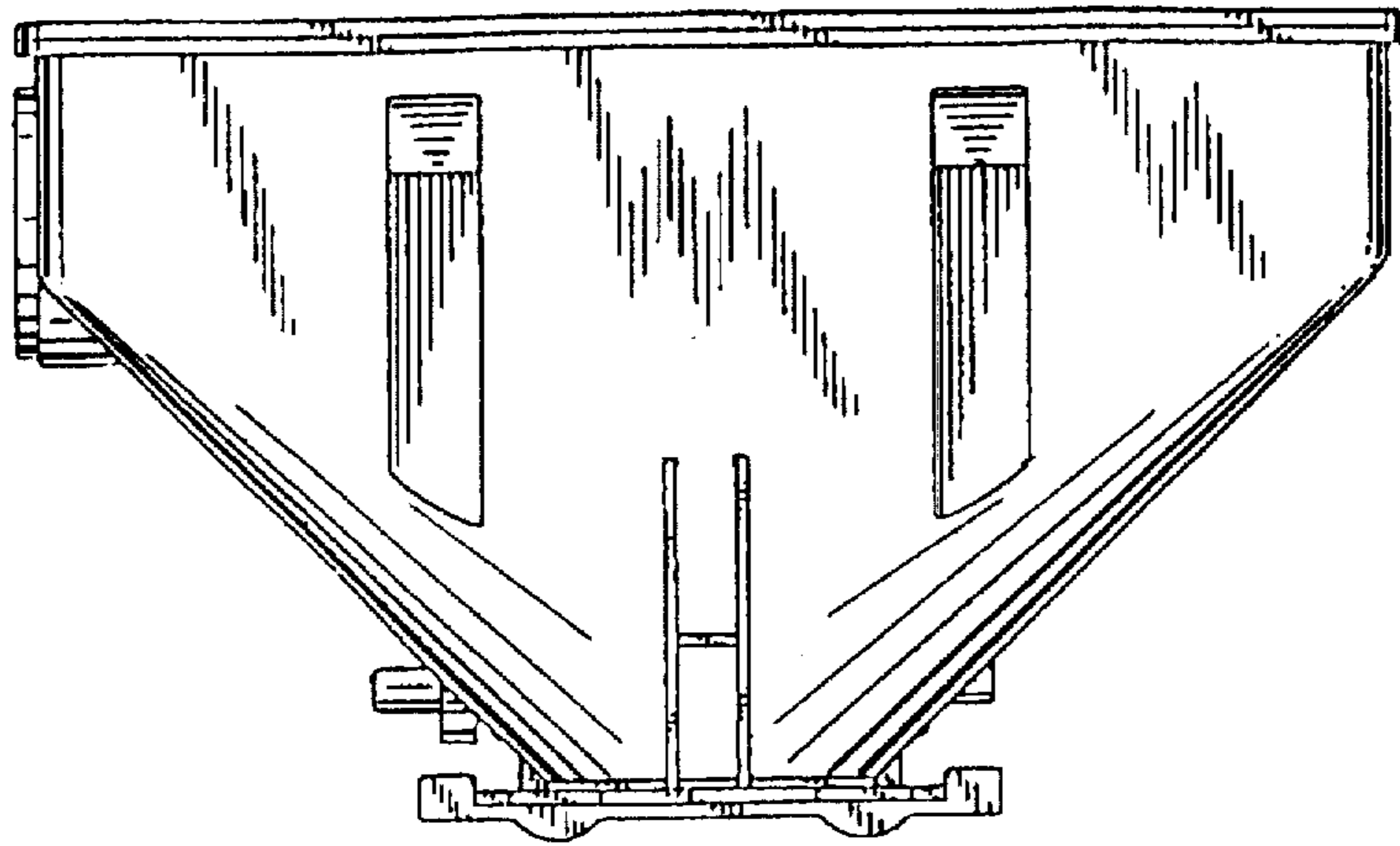


FIG. 2

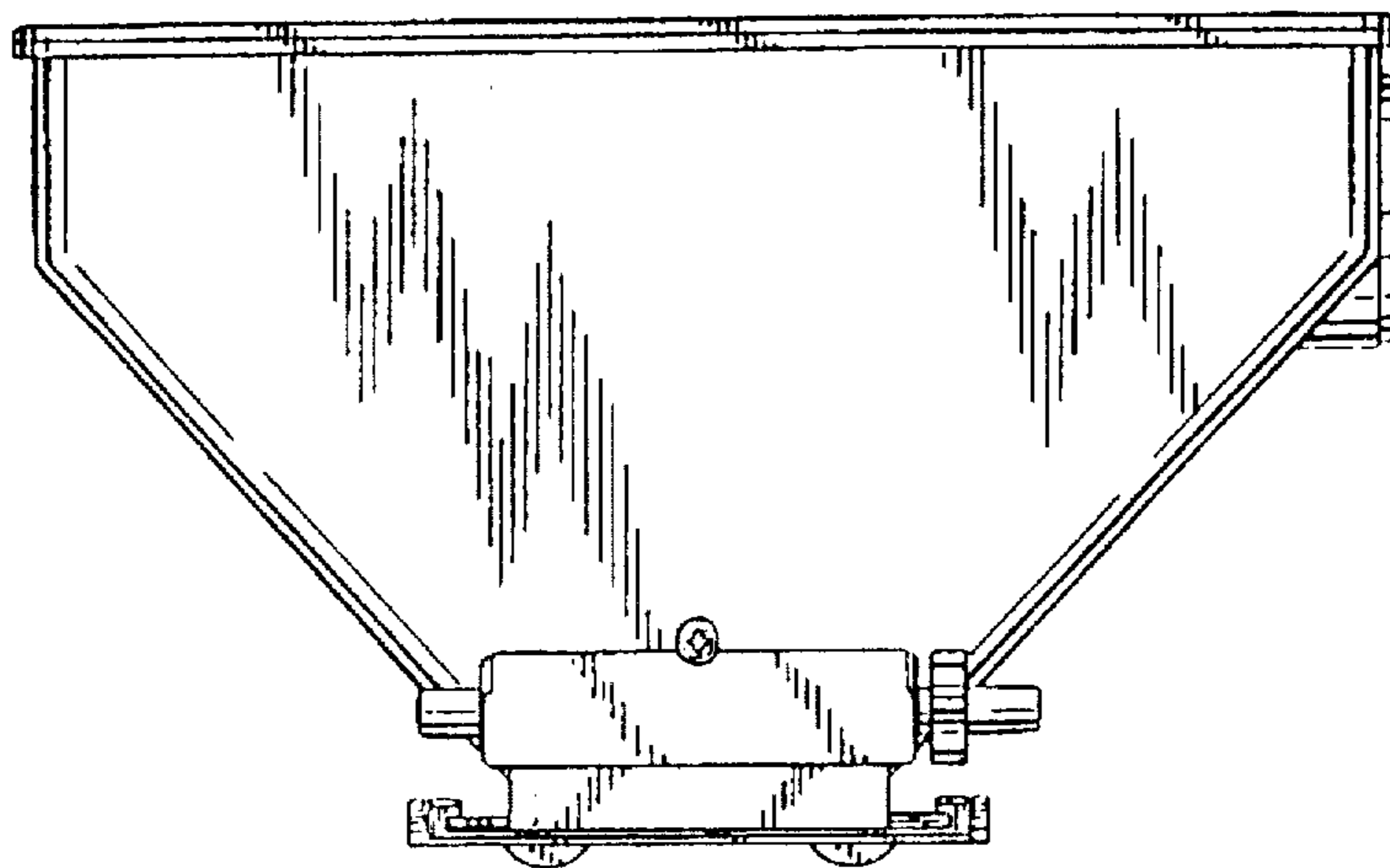


FIG. 3

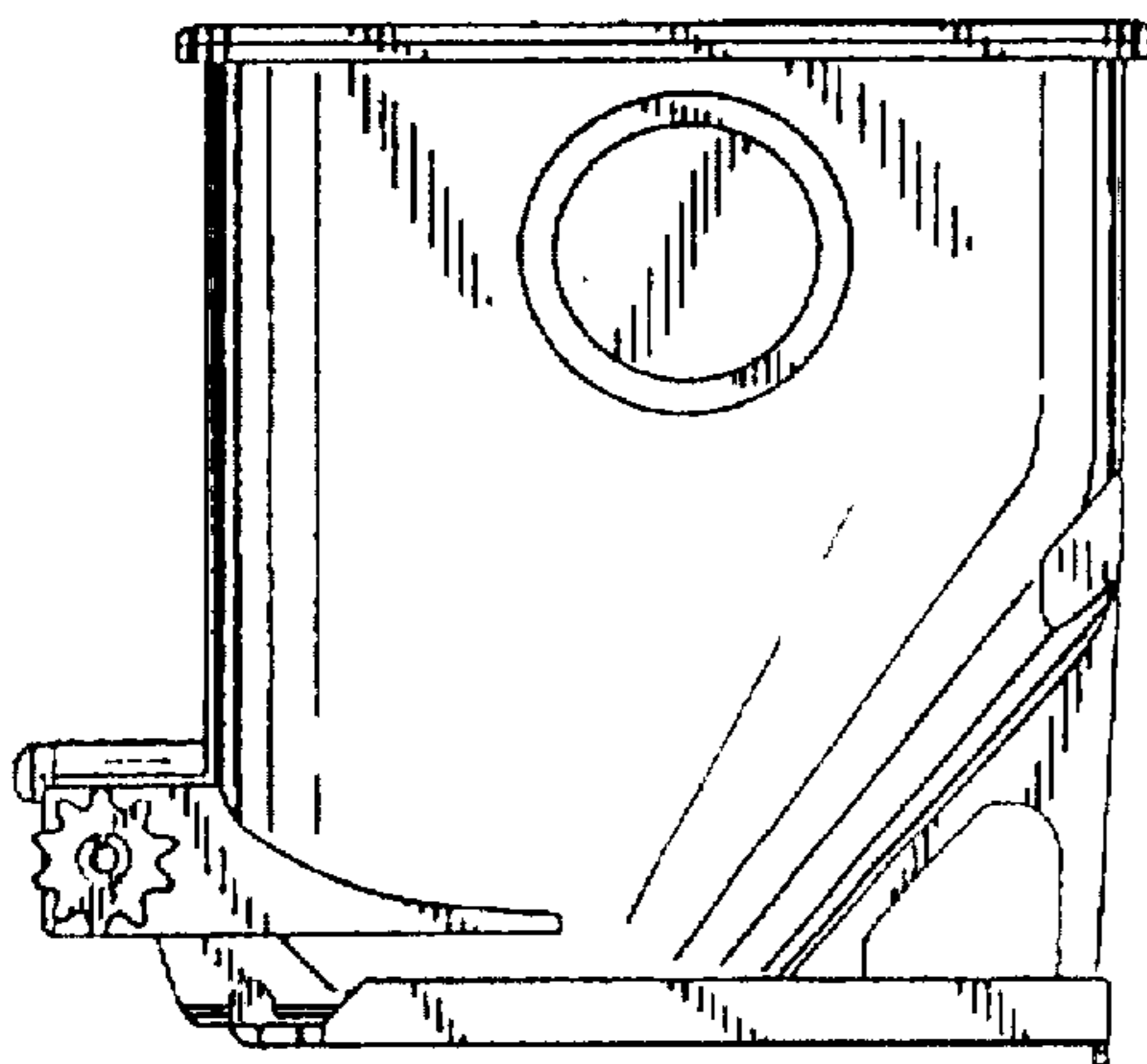


FIG. 4

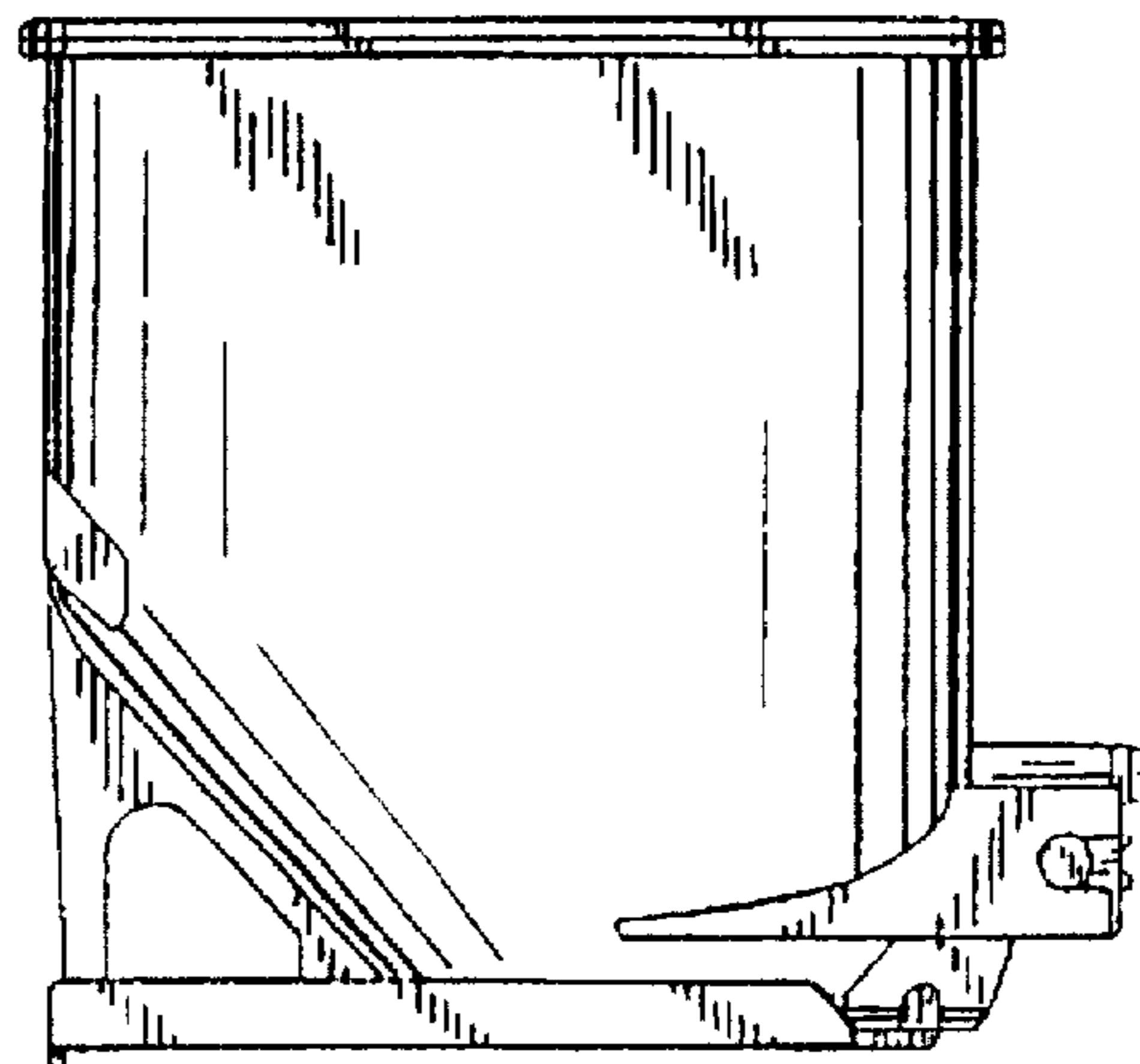


FIG. 5

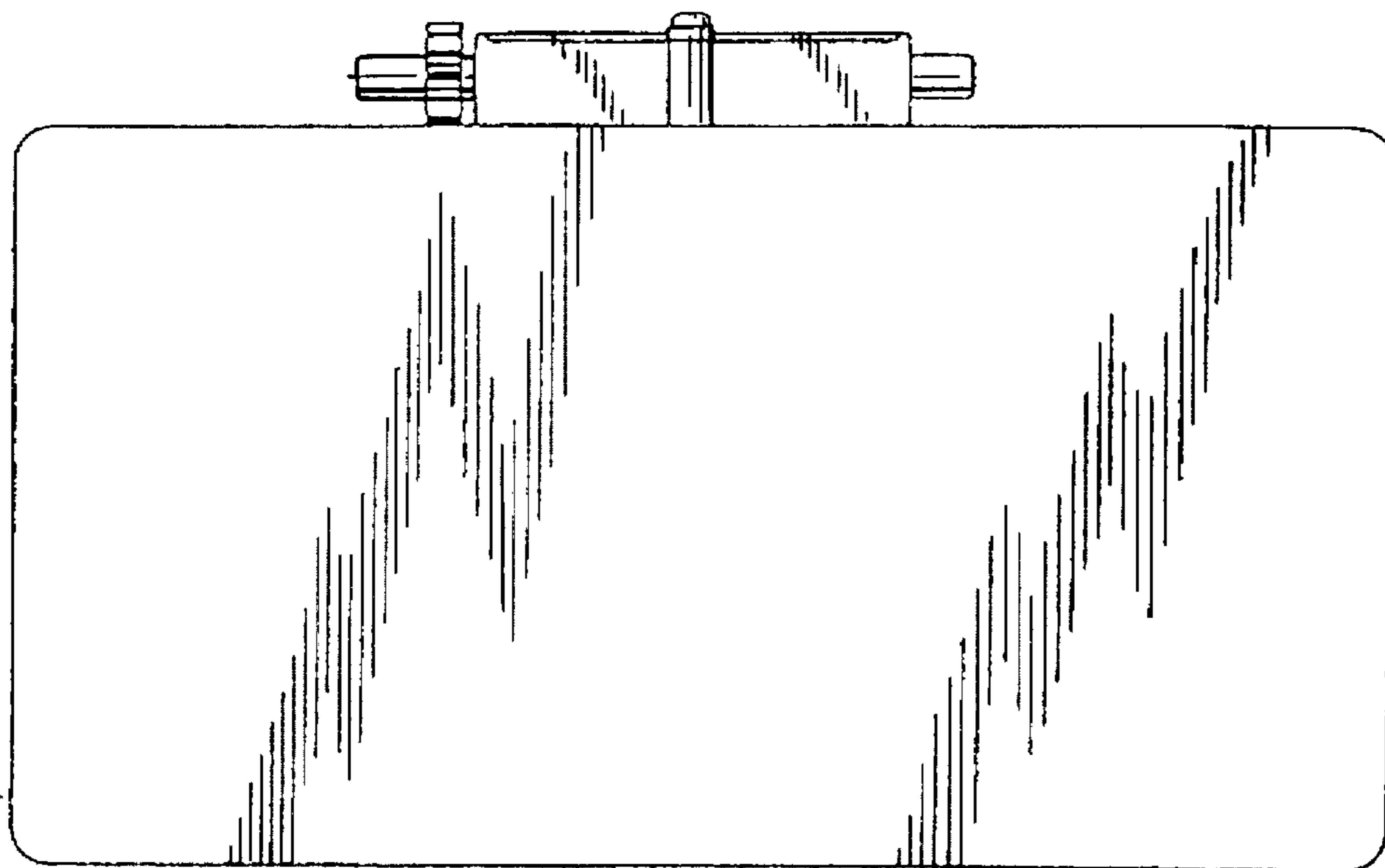


FIG. 6

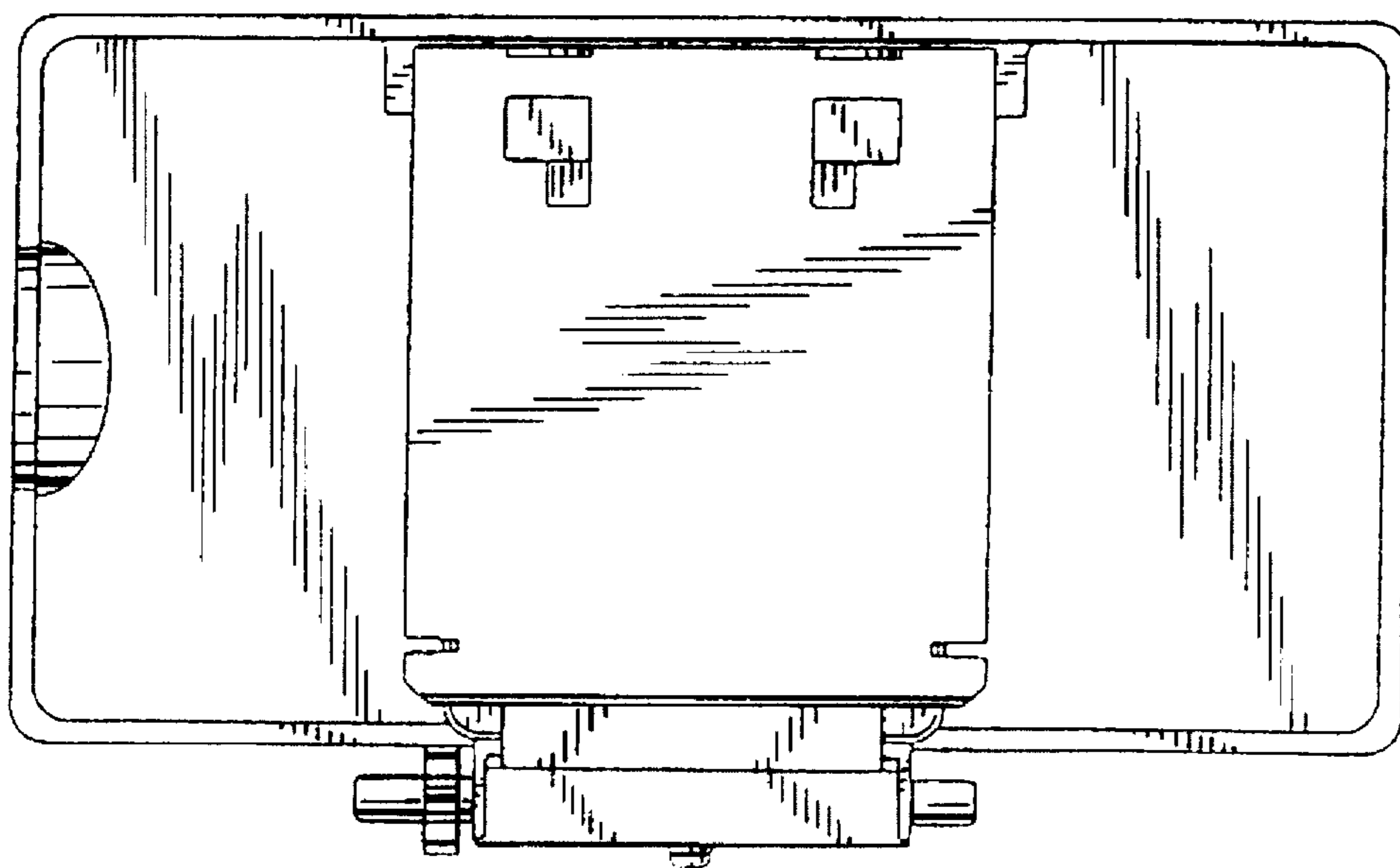


FIG. 7

