



US00D394450S

United States Patent [19]

[11] Patent Number: **Des. 394,450**

Katoh et al.

[45] Date of Patent: ****May 19, 1998**

[54] **DEVELOPING UNIT FOR PRINTER AND FACSIMILE**

[75] Inventors: **Keiji Katoh; Hiroshige Araki; Yasuo Imai**, all of Nara-ken, Japan

[73] Assignee: **Sharp Kabushiki Kaisha**, Osaka, Japan

[**] Term: **14 Years**

[21] Appl. No.: **43,835**

[22] Filed: **Aug. 15, 1995**

[30] **Foreign Application Priority Data**

Feb. 23, 1995	[JP]	Japan	7-4881
Feb. 23, 1995	[JP]	Japan	7-4886

[51] LOC (6) Cl. **16-03**

[52] U.S. Cl. **D18/43; D18/40**

[58] Field of Search D18/36, 40, 43, D18/56; 206/216, 229, 316, 446, 461, 467, 474, 495, 527, 532, 601, 628, 633; 222/166, 240, 325, 541, DIG. 1; 355/200, 245, 260

[56] **References Cited**

U.S. PATENT DOCUMENTS

D. 277,289	1/1985	Sabin	D18/43
D. 298,334	11/1988	Masaki et al.	D18/43
D. 307,700	5/1990	Sakakura et al.	D18/40
D. 313,615	1/1991	Takuda	D18/36
D. 350,975	9/1994	Mizuta	D18/43

Primary Examiner—Caron D. Veynar
Attorney, Agent, or Firm—Nixon & Vanderhye

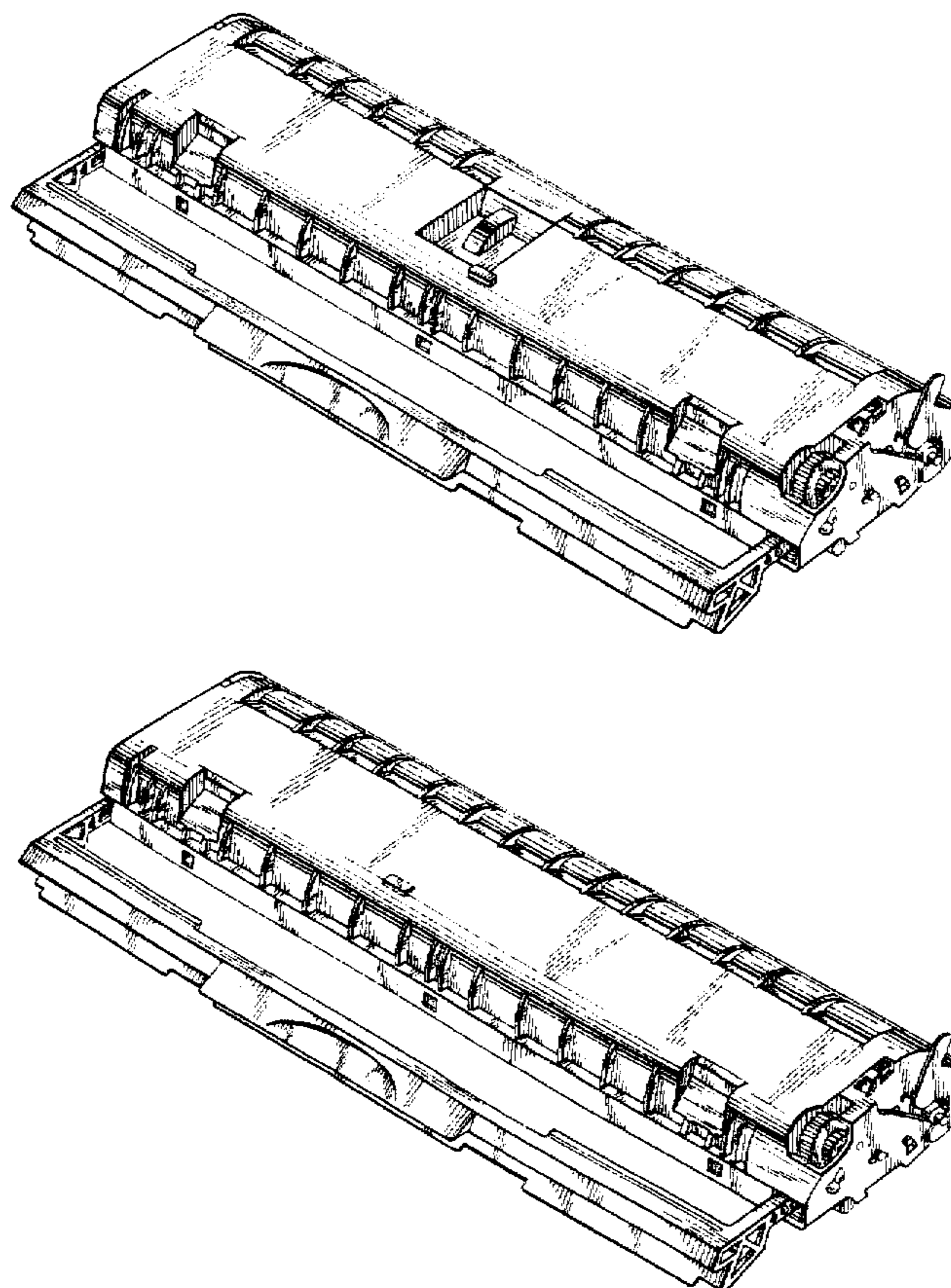
[57] **CLAIM**

The ornamental design for a “developing unit for printer and facsimile.” as shown and described.

DESCRIPTION

FIG. 1 is a front elevational view of a developing unit for printer and facsimile showing our new design;
 FIG. 2 is a rear elevational view thereof;
 FIG. 3 is a top plan view thereof;
 FIG. 4 is a bottom plan view thereof;
 FIG. 5 is a cross-sectional view taken along line 5—5 in FIG. 1;
 FIG. 6 is a left side elevational view thereof;
 FIG. 7 is a right side elevational view thereof;
 FIG. 8 is a front, bottom and right side perspective view thereof;
 FIG. 9 is a front elevational view of a second embodiment for our developing unit for printer and facsimile;
 FIG. 10 is a rear elevational view thereof;
 FIG. 11 is a top plan view thereof;
 FIG. 12 is a bottom plan view thereof;
 FIG. 13 is a cross-sectional view taken along line 13—13 in FIG. 9;
 FIG. 14 is a left side elevational view thereof;
 FIG. 15 is a right side elevational view thereof; and,
 FIG. 16 is a front, bottom and right side perspective view thereof.

1 Claim, 12 Drawing Sheets



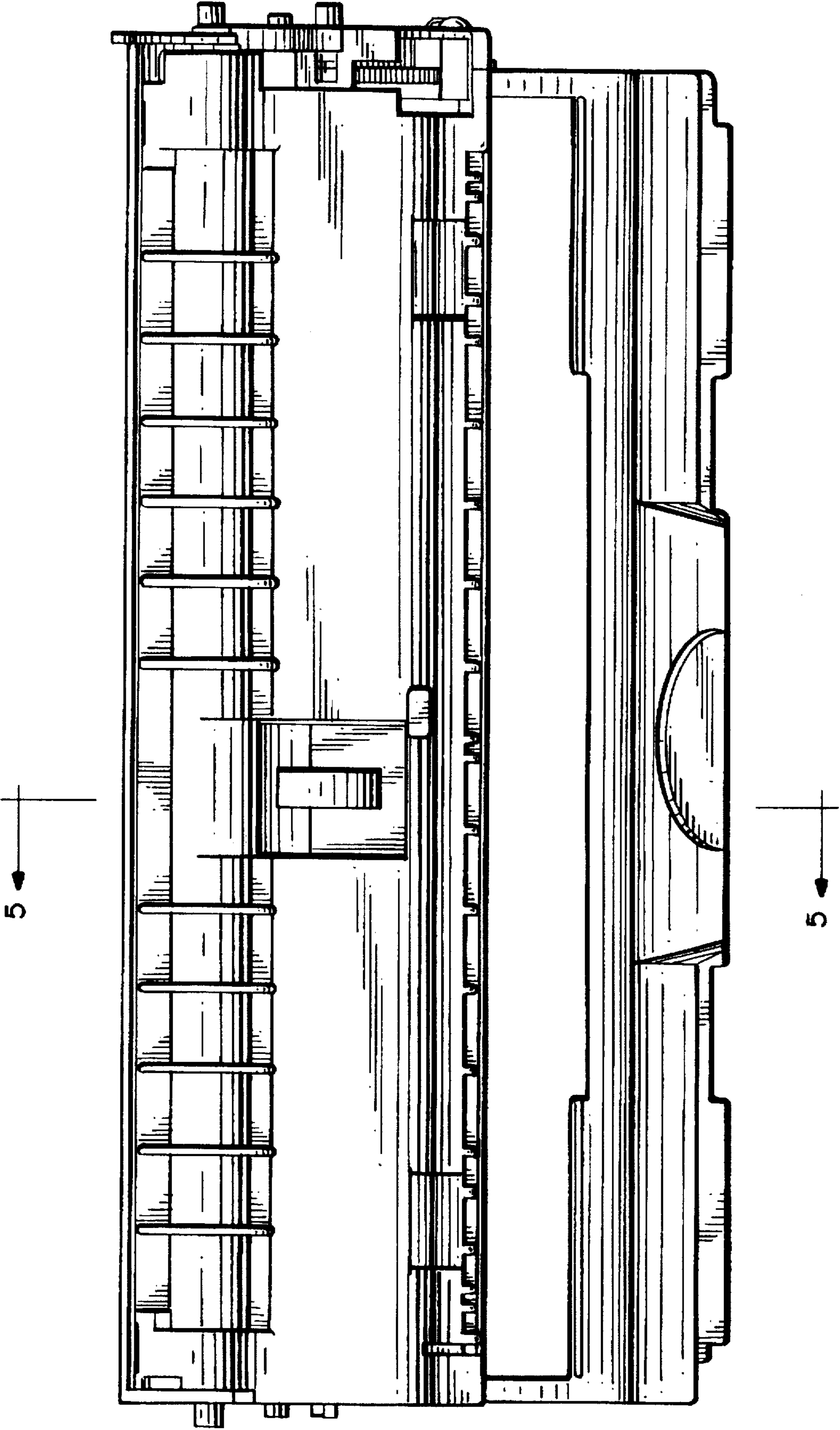


Fig. 1

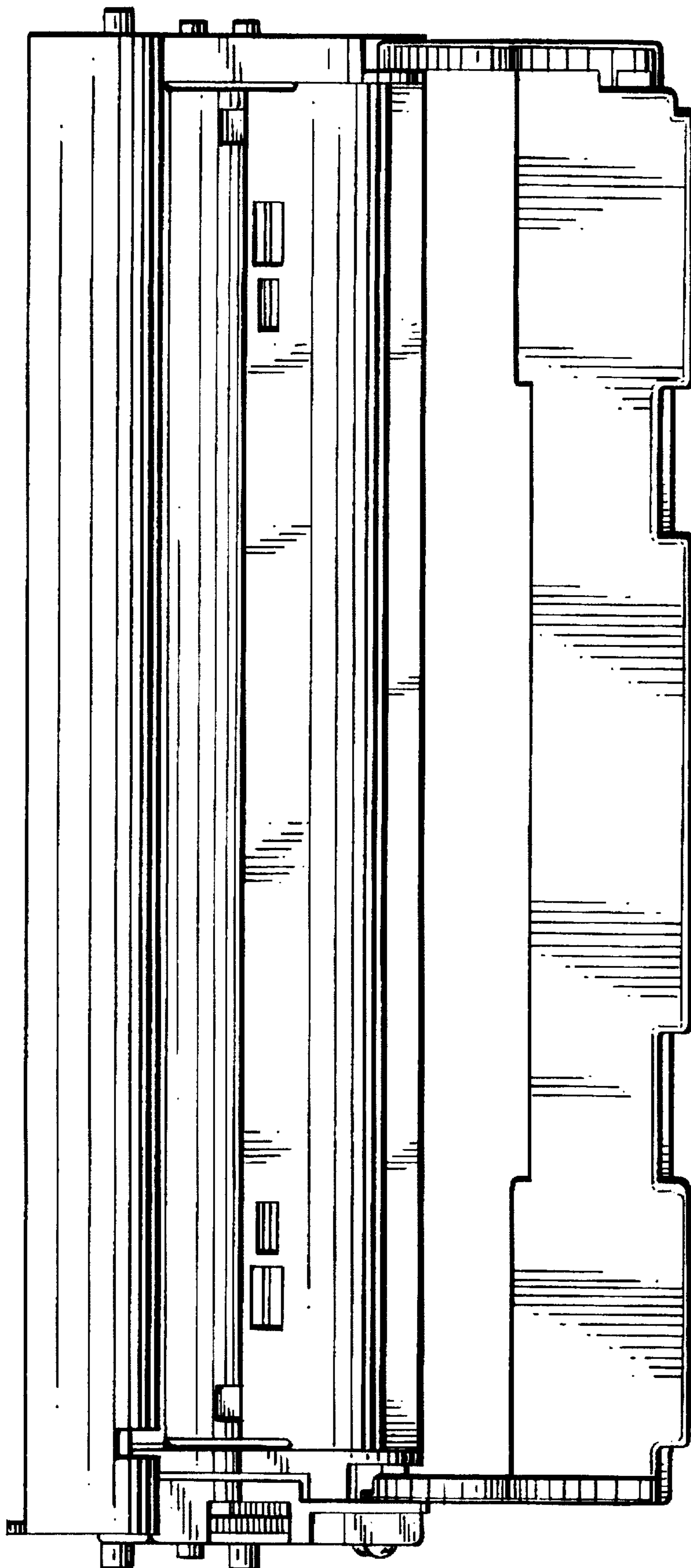


Fig. 2

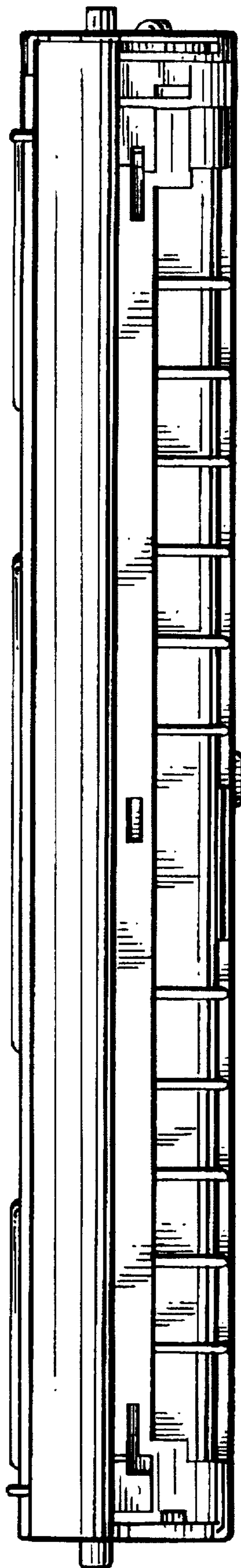


Fig. 3

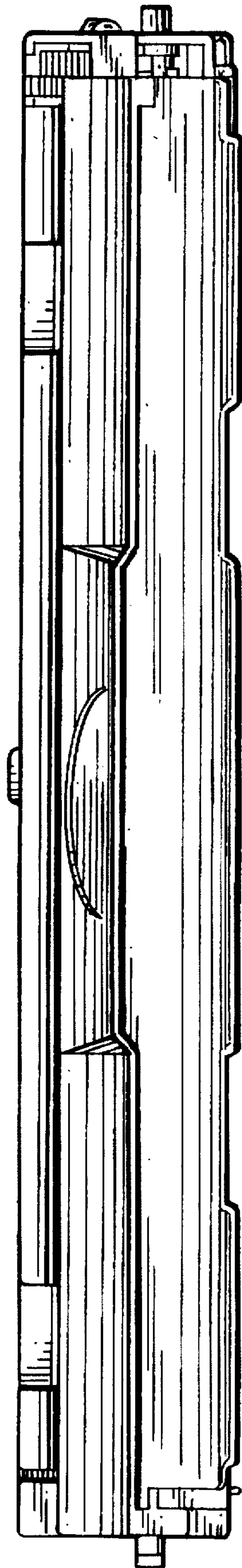


Fig. 4

Fig. 7

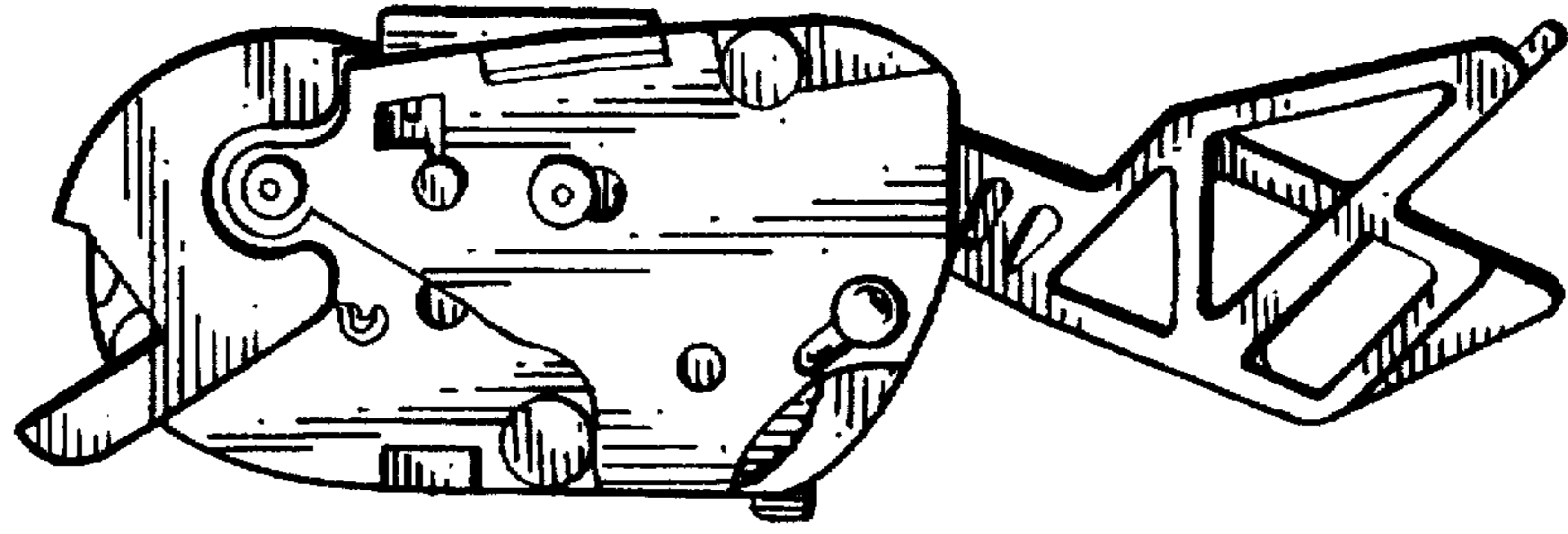


FIG. 6

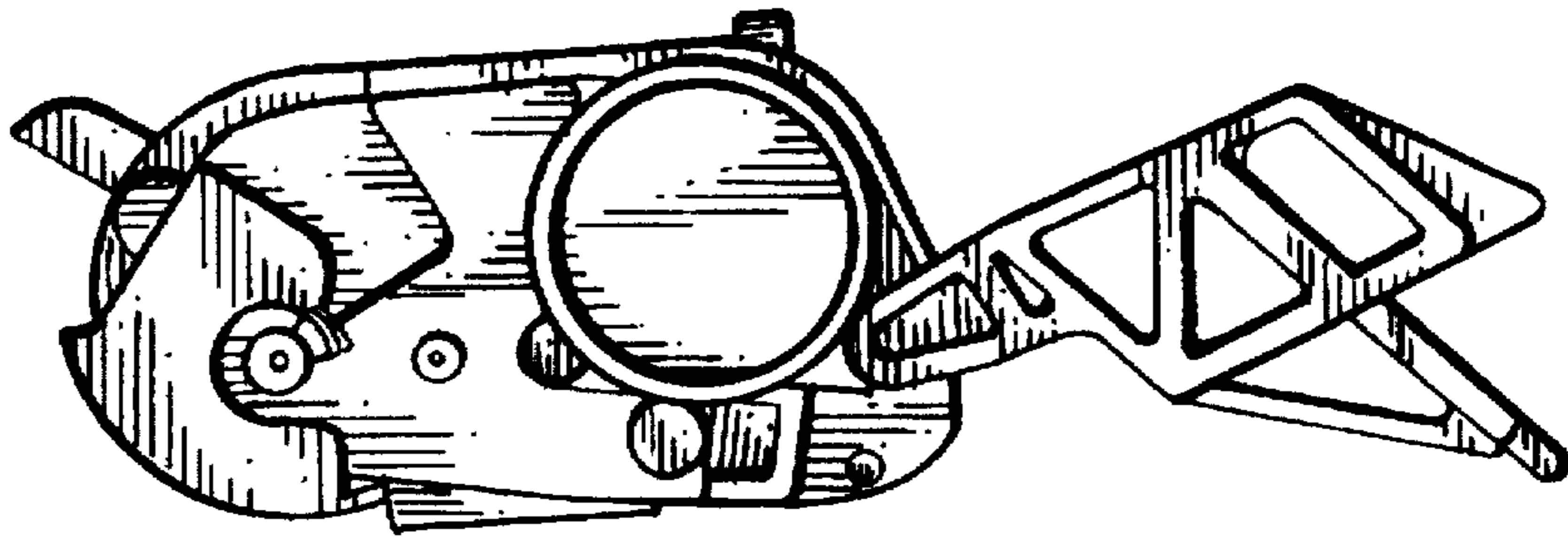
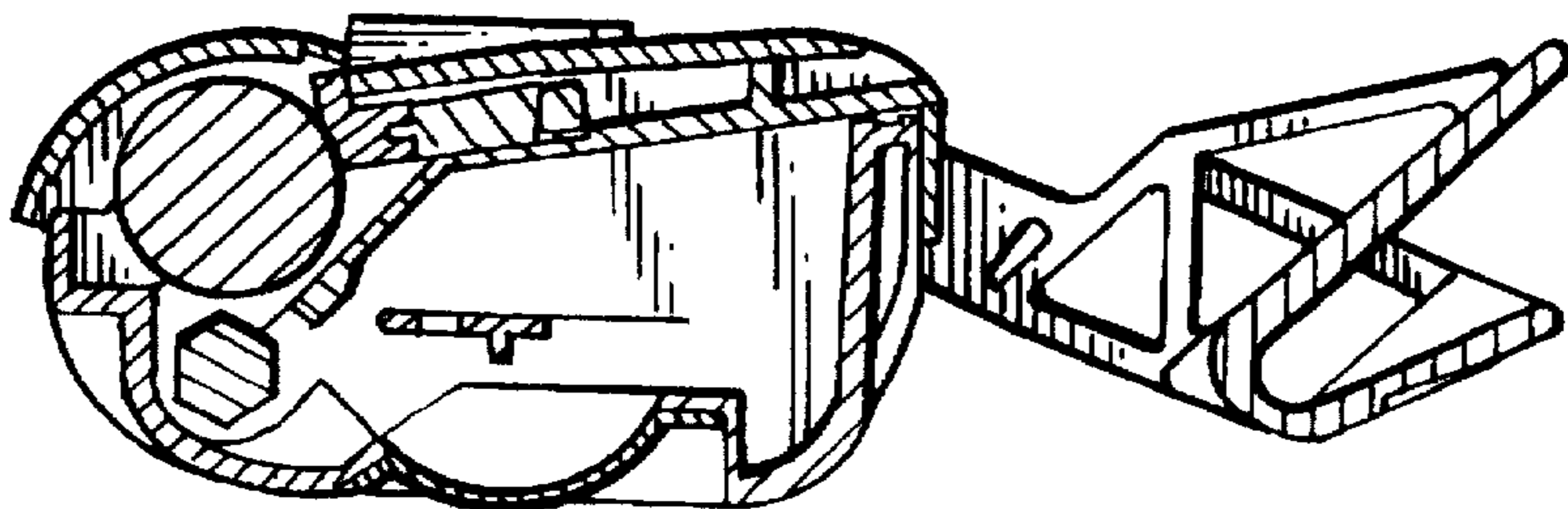


FIG. 5



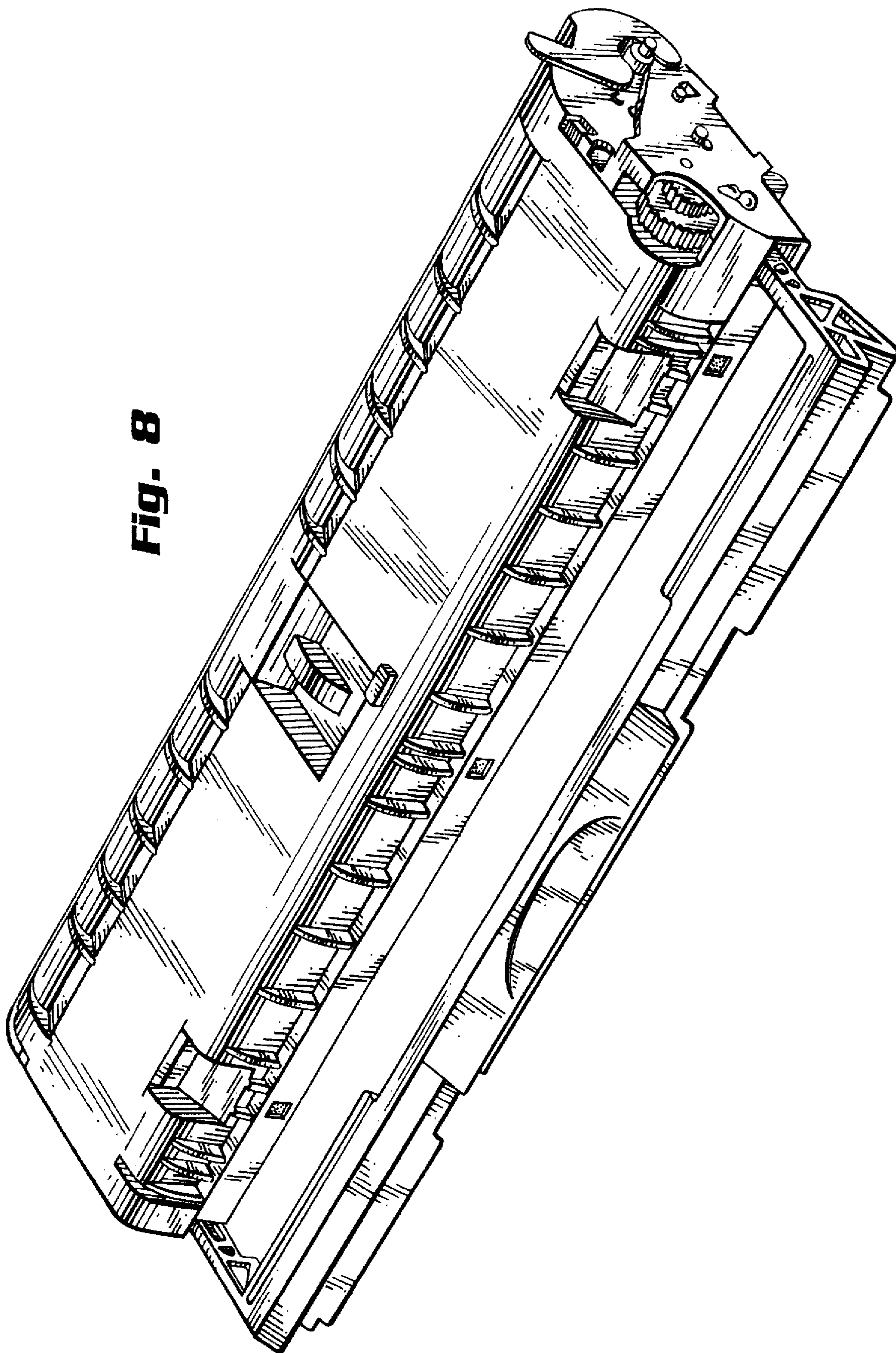


Fig. 8

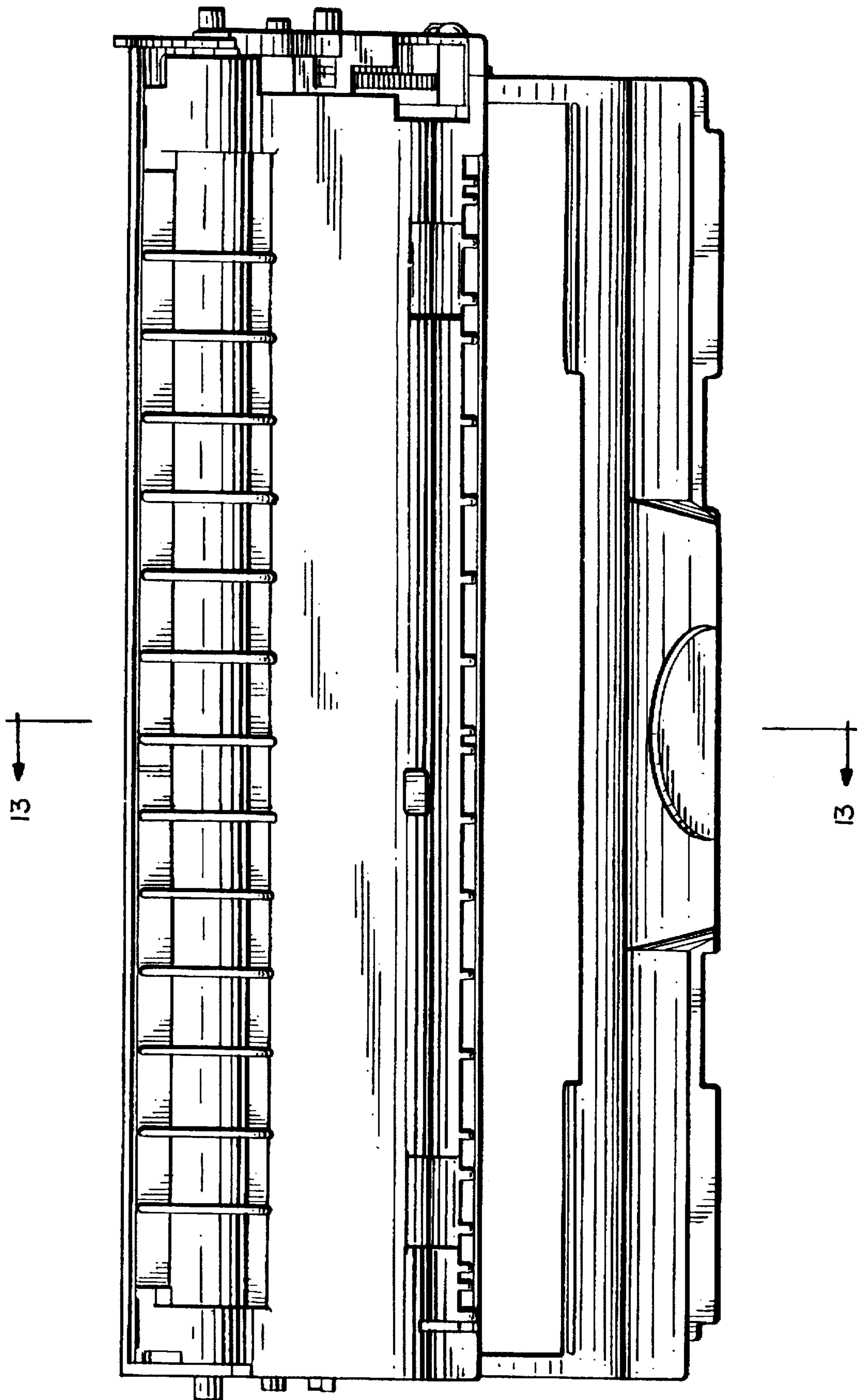


Fig. 9

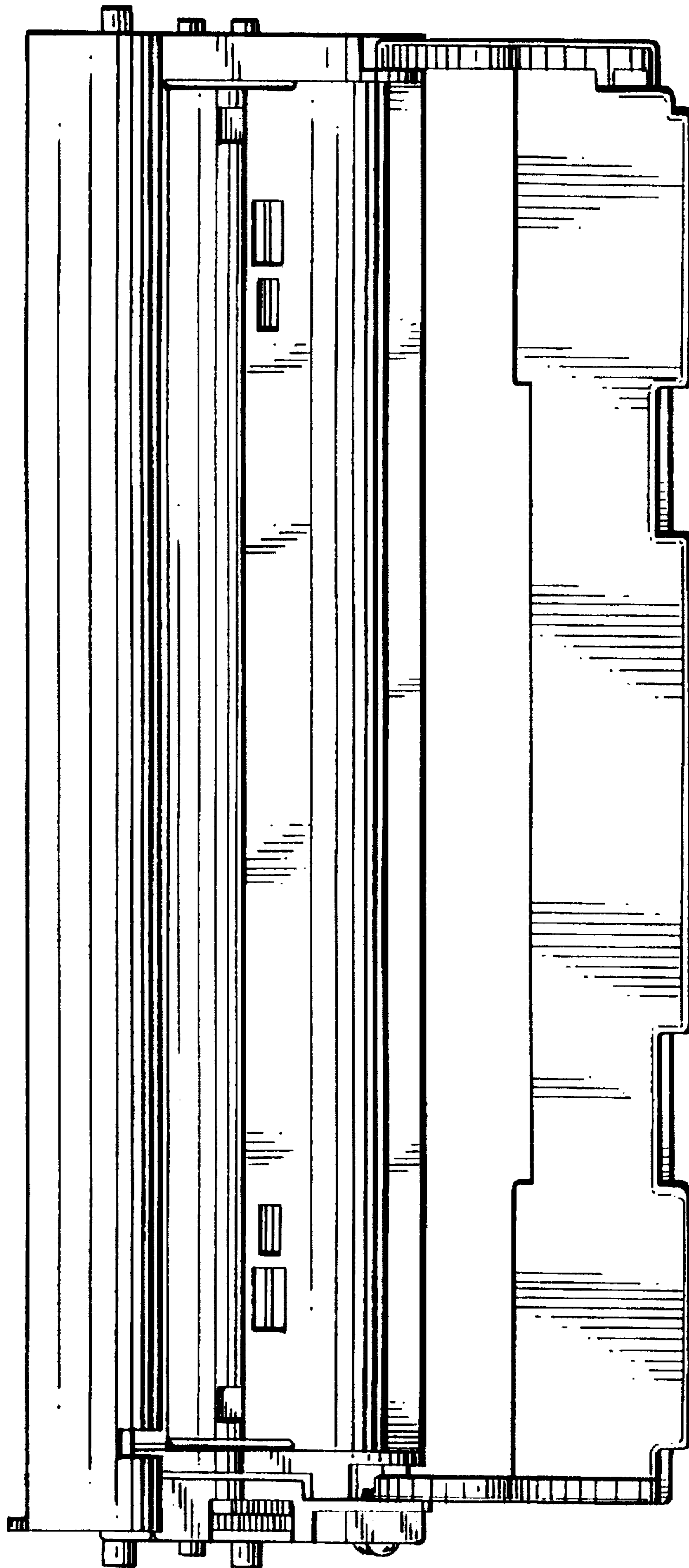


Fig. 10



Fig. 11

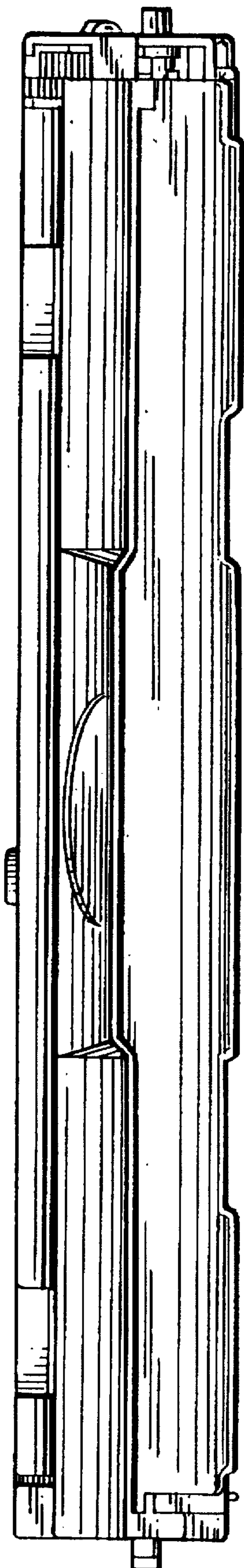


Fig. 12

Fig. 15

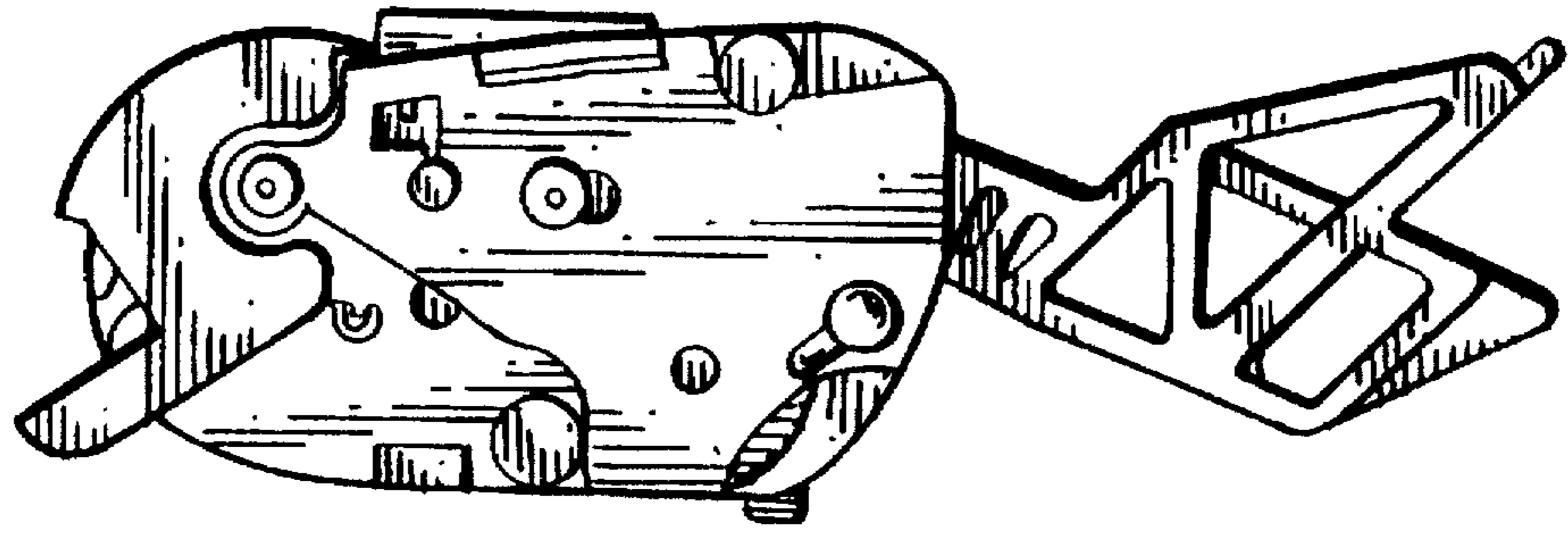


Fig. 14

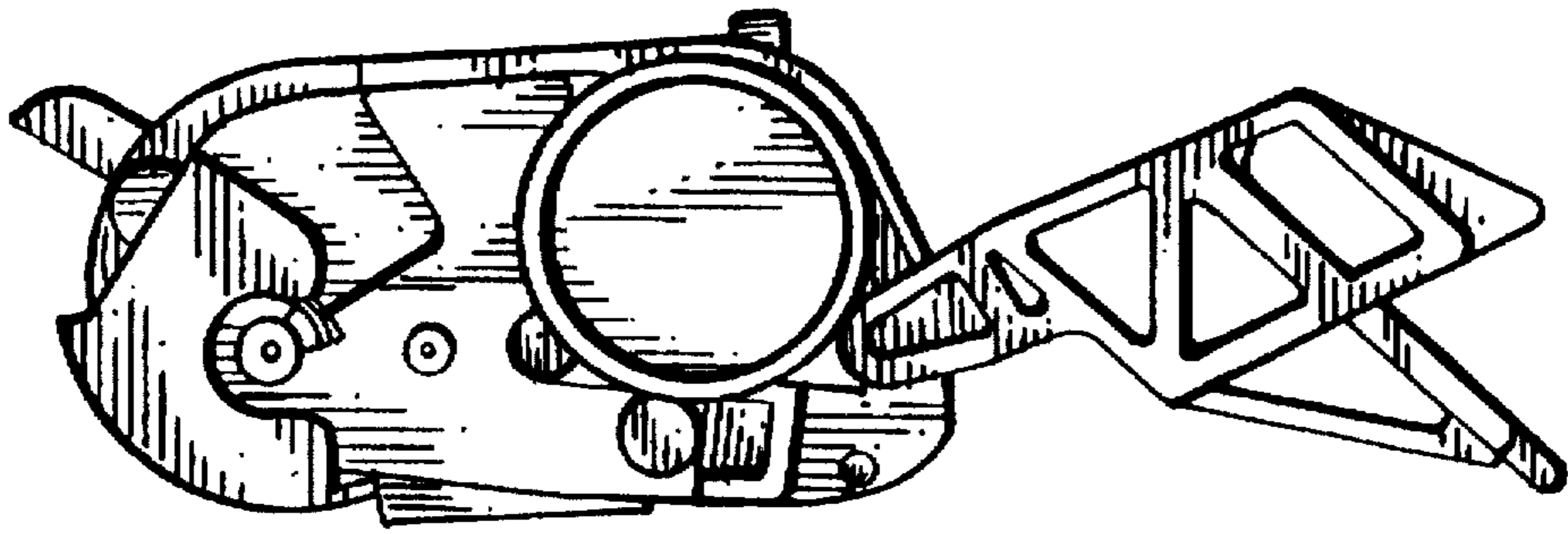


Fig. 13

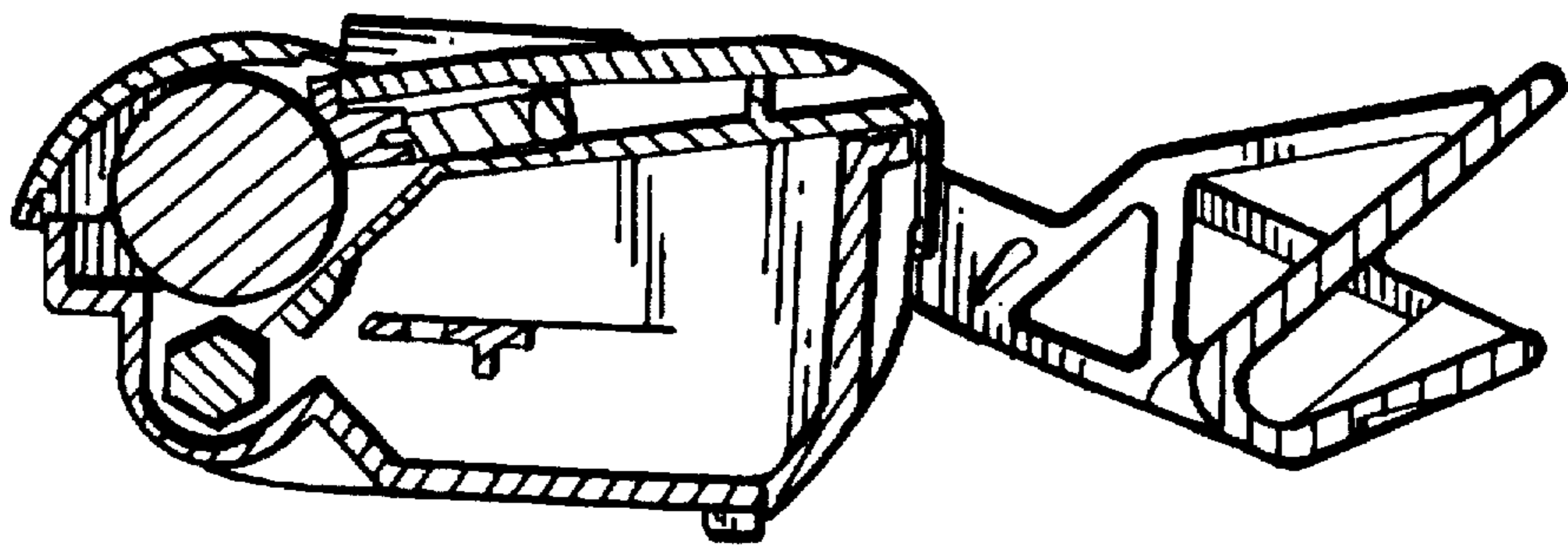


Fig. 16

