



US00D394432S

United States Patent [19]
Rosen

[11] **Patent Number:** **Des. 394,432**
[45] **Date of Patent:** ****May 19, 1998**

[54] **RETRACTABLE MONITOR SYSTEM**

[75] **Inventor:** **John B. Rosen, Eugene, Oreg.**

[73] **Assignee:** **Advanced Multimedia Products Corporation, Eugene, Oreg.**

[**] **Term:** **14 Years**

[21] **Appl. No.:** **68,971**

[22] **Filed:** **Apr. 21, 1997**

[51] **LOC (6) Cl.** **14-03**

[52] **U.S. Cl.** **D14/132; D14/113**

[58] **Field of Search** **D14/113, 124-134, D14/106; D12/345, 418; D19/60, 63; D6/513; 348/825, 827, 837; 312/7.2; 248/917-924; 244/118.5**

[56] **References Cited**

U.S. PATENT DOCUMENTS

D. 332,715	1/1993	Sedighzadeh et al.	D6/513
4,630,821	12/1986	Greenwald .	
4,836,486	6/1989	Vossoughi et al. .	
4,843,477	6/1989	Mizutani et al.	348/837
5,076,524	12/1991	Reh et al. .	
5,096,271	3/1992	Portman	312/7.2
5,145,128	9/1992	Umeda	244/118.5
5,161,028	11/1992	Kawata et al. .	

5,177,616	1/1993	Riday .
5,179,447	1/1993	Lain .
5,195,709	3/1993	Yasushi .
5,311,302	5/1994	Berry et al. .
5,362,144	11/1994	Shioya et al. .
5,547,248	8/1996	Marechal .

Primary Examiner—Ted Shooman
Assistant Examiner—Richelle Shelton
Attorney, Agent, or Firm—Kolisch, Hartwell, Dickinson, McCormack & Heuser

[57] **CLAIM**

The ornamental design for a retractable monitor system, as shown and described.

DESCRIPTION

FIG. 1 is a bottom isometric view of a retractable monitor system showing my new design in a display orientation; FIG. 2 is a top isometric view of the retractable monitor system in the stowed orientation; FIG. 3 is a bottom plan view thereof; FIG. 4 is a rear view thereof; FIG. 5 is a right-side view thereof; FIG. 6 is a top plan view thereof; FIG. 7 is a left-side view thereof; and, FIG. 8 is a front view thereof.

1 Claim, 3 Drawing Sheets

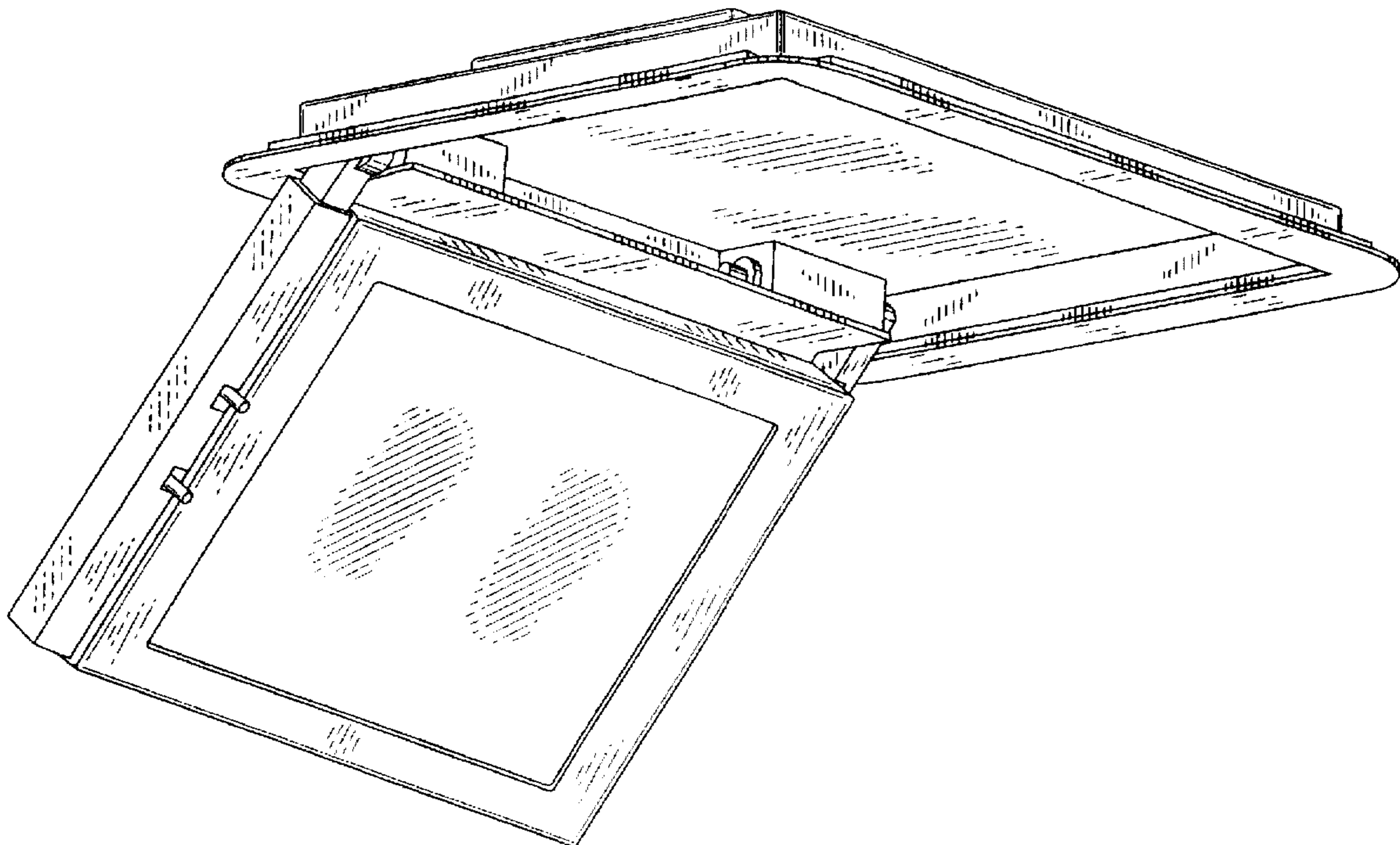


FIG. 1

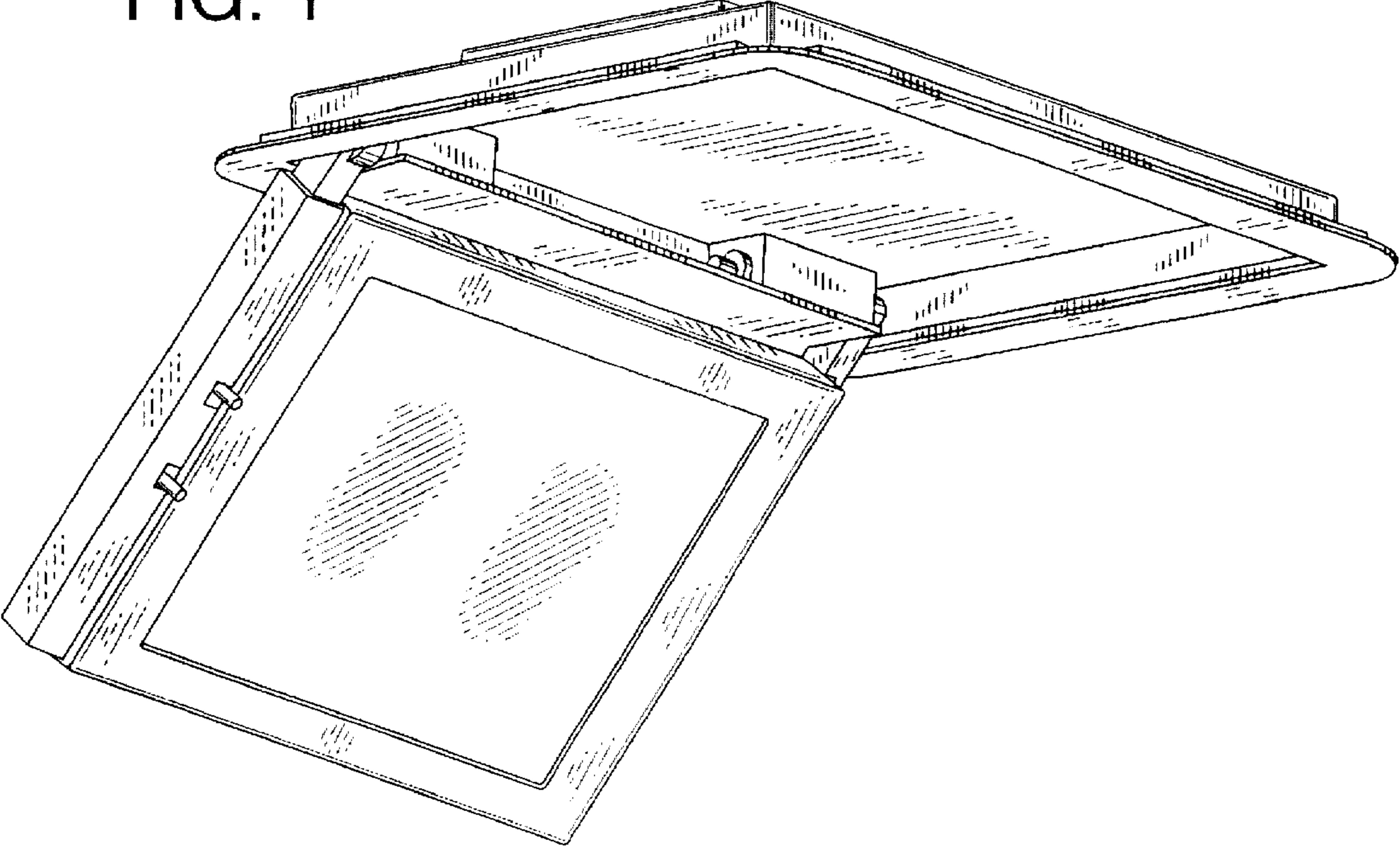


FIG. 2

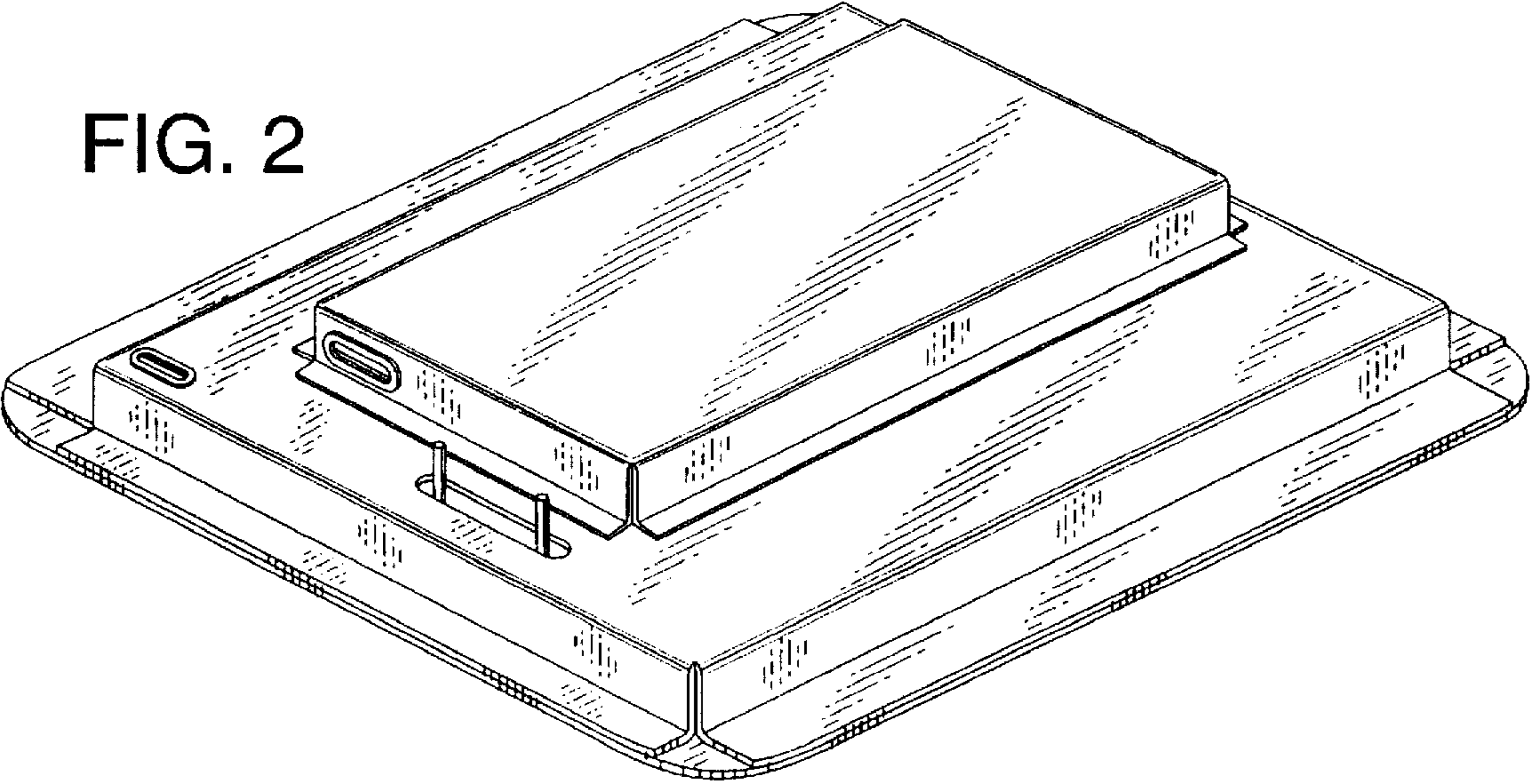


FIG. 3

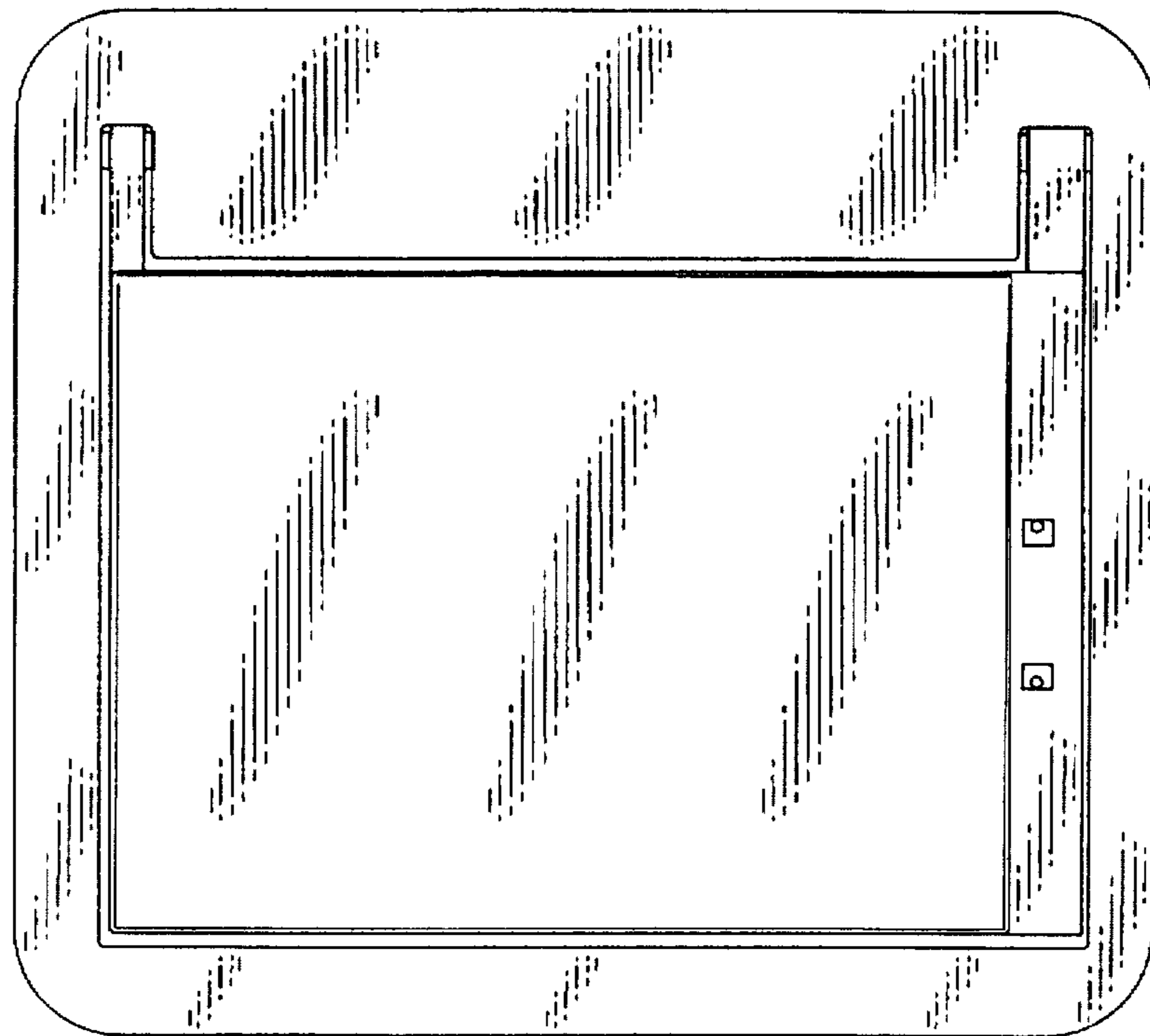


FIG. 4

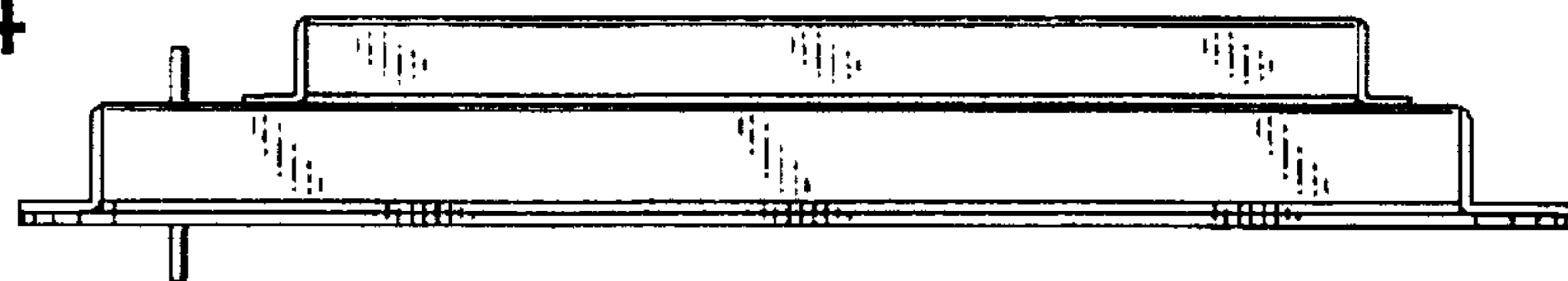


FIG. 5

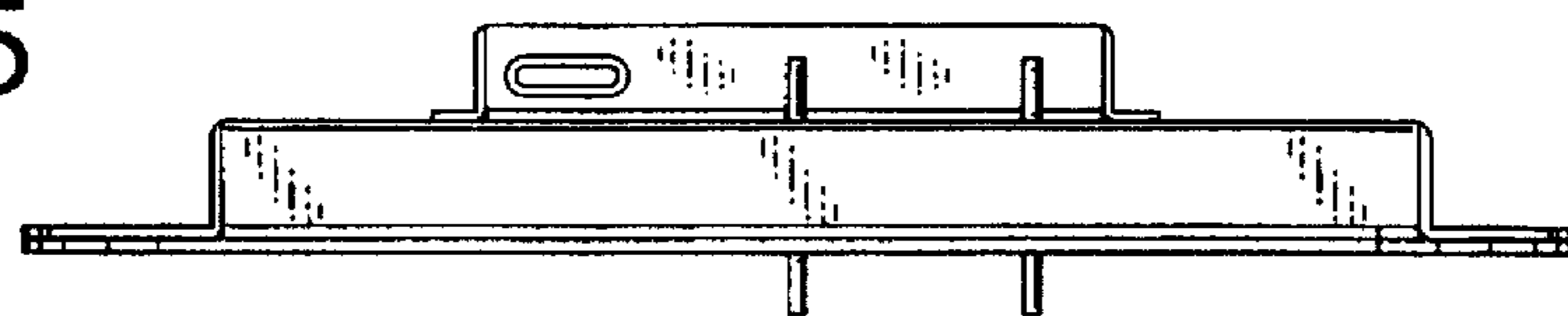


FIG. 7

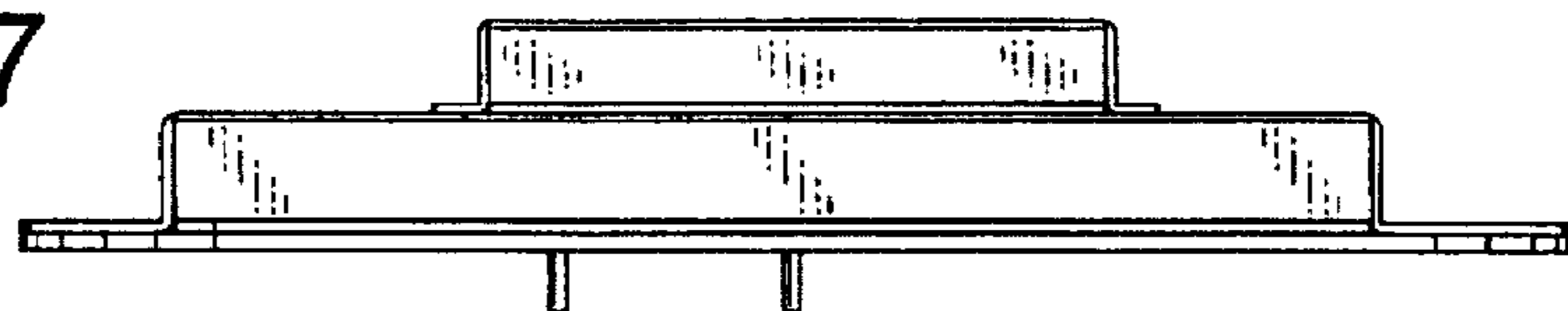


FIG. 8

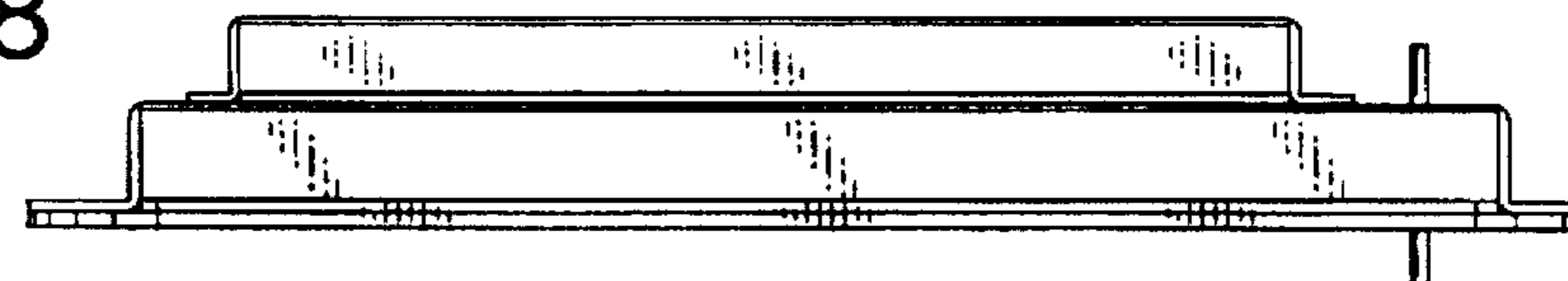


FIG. 6

