



US00D394431S

United States Patent [19]

[11] Patent Number: **Des. 394,431**

Dow et al.

[45] Date of Patent: ****May 19, 1998**

[54] **BEZEL FOR RACK MOUNTED DEVICES**

Primary Examiner—Freda Nunn
Attorney, Agent, or Firm—Augustus W. Winfield

[75] Inventors: **James C. Dow; Modest Khovaylo,**
both of Ft Collins; **Wayne E. Foslien,**
Greeley, all of Colo.

[57] **CLAIM**

The ornamental design for the bezel for rack mounted devices, as shown and described.

[73] Assignee: **Hewlett-Packard Company,** Palo Alto, Calif.

DESCRIPTION

[**] Term: **14 Years**

FIG. 1 is a top front and right side perspective view of a bezel for rack mounted devices showing our new design; FIG. 2 is a front elevational view of the bezel of FIG. 1 shown in a rack with multiple rack mounted devices; FIG. 3 is a front elevational view on an enlarged scale; FIG. 4 is a top view; FIG. 5 is a bottom view; and, FIG. 6 is a left elevational view.

[21] Appl. No.: **66,713**

[22] Filed: **Feb. 28, 1997**

[51] LOC (6) Cl. **14-02**

[52] U.S. Cl. **D14/115**

[58] Field of Search D14/100, 102,
D14/107-109, 115, 137, 156, 217, 258;
D10/103; D13/164, 177; 312/208.1, 223.2;
361/600, 622, 724-728

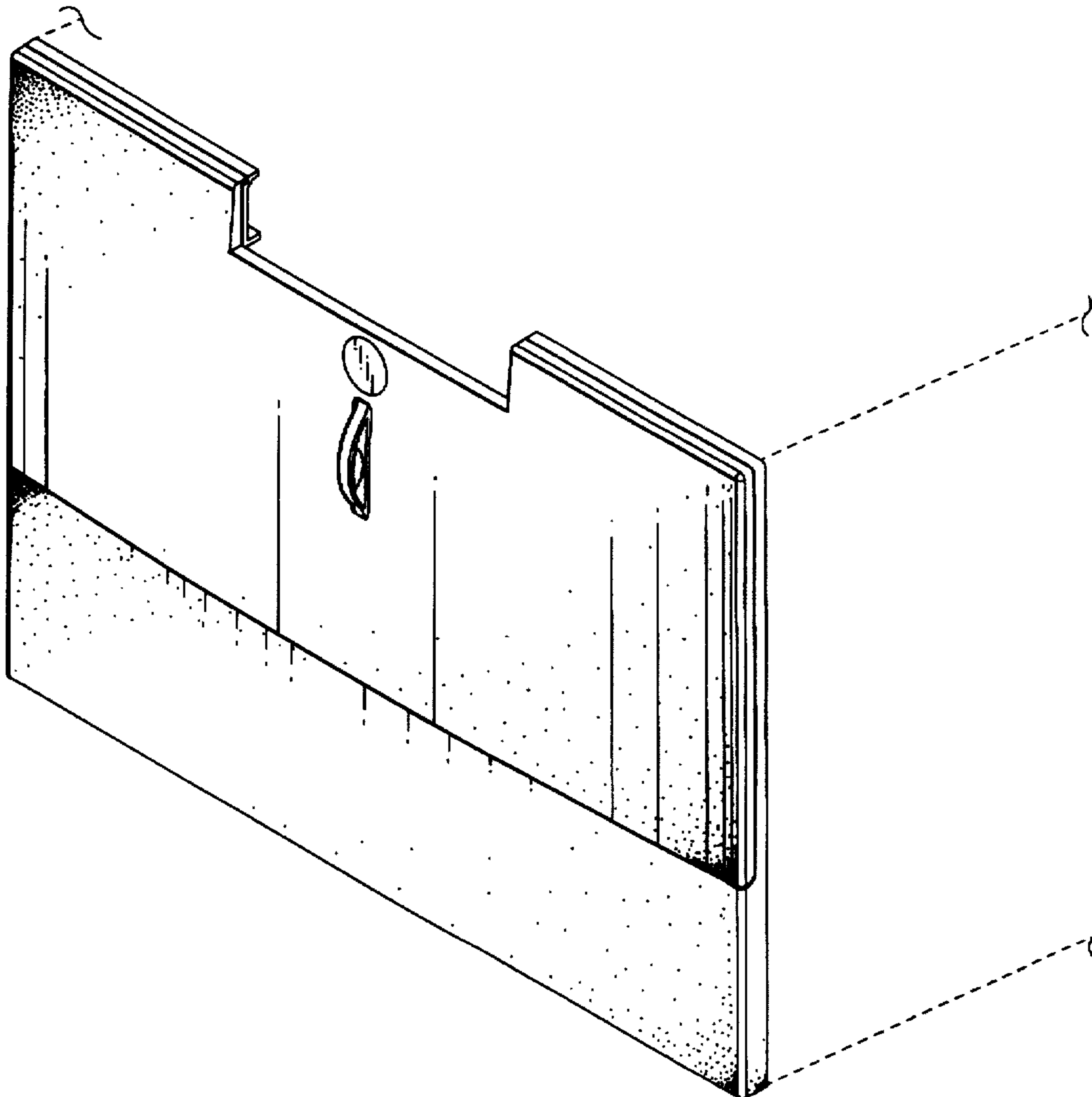
The rear of the bezel forms no part of the claimed design. The broken lines of FIGS. 1-6 are for illustrative purposes only and form no part of the claimed design.

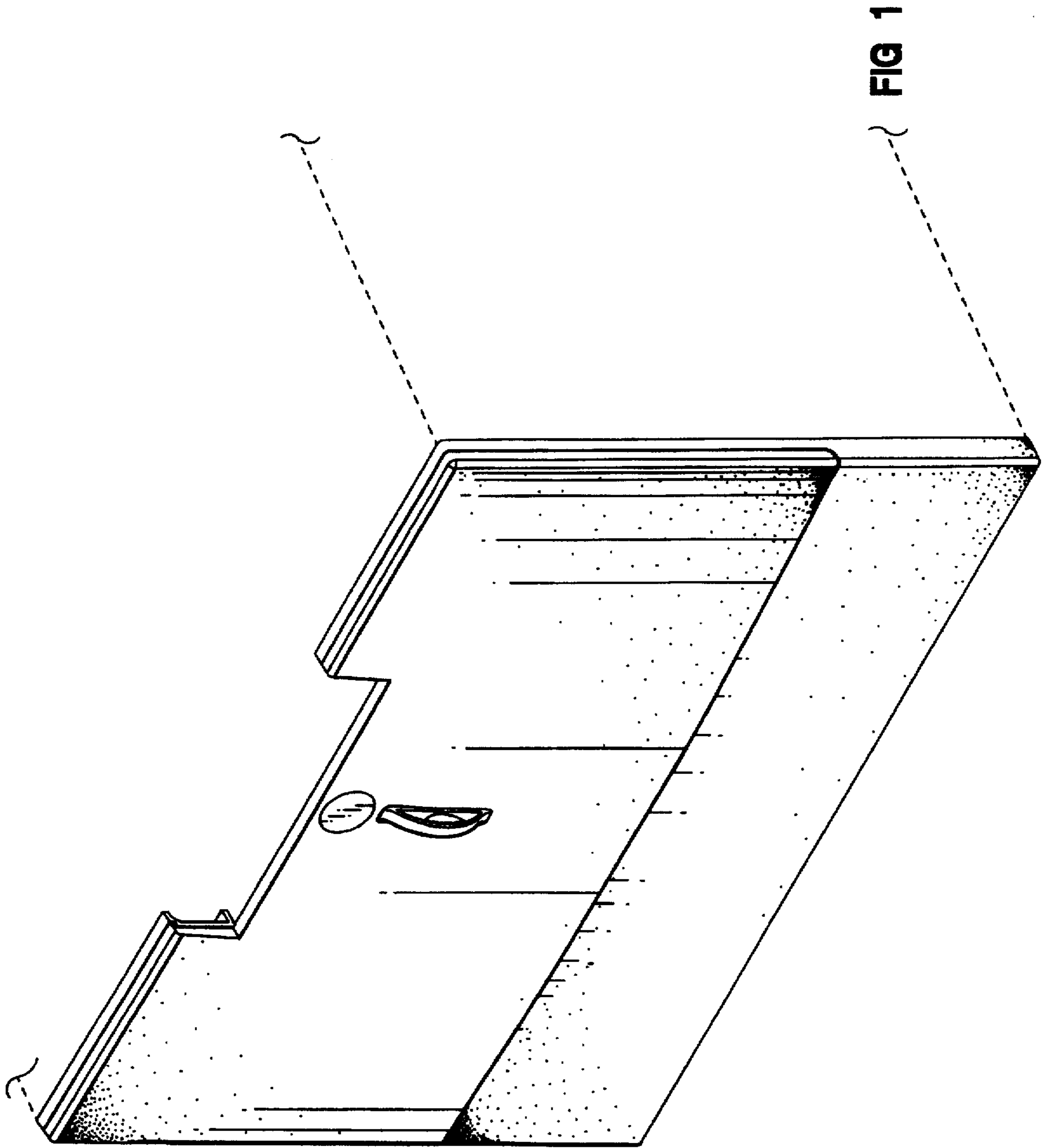
[56] **References Cited**

U.S. PATENT DOCUMENTS

D. 376,153 12/1996 Larson et al. D14/115 X

1 Claim, 6 Drawing Sheets





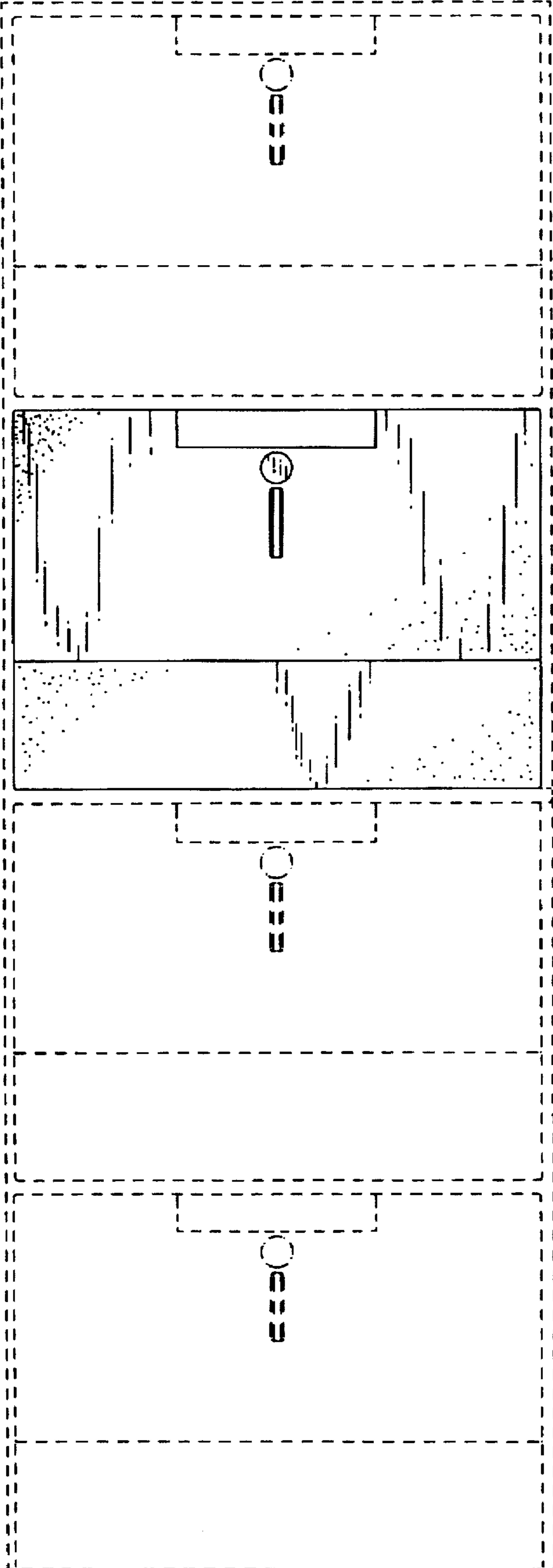
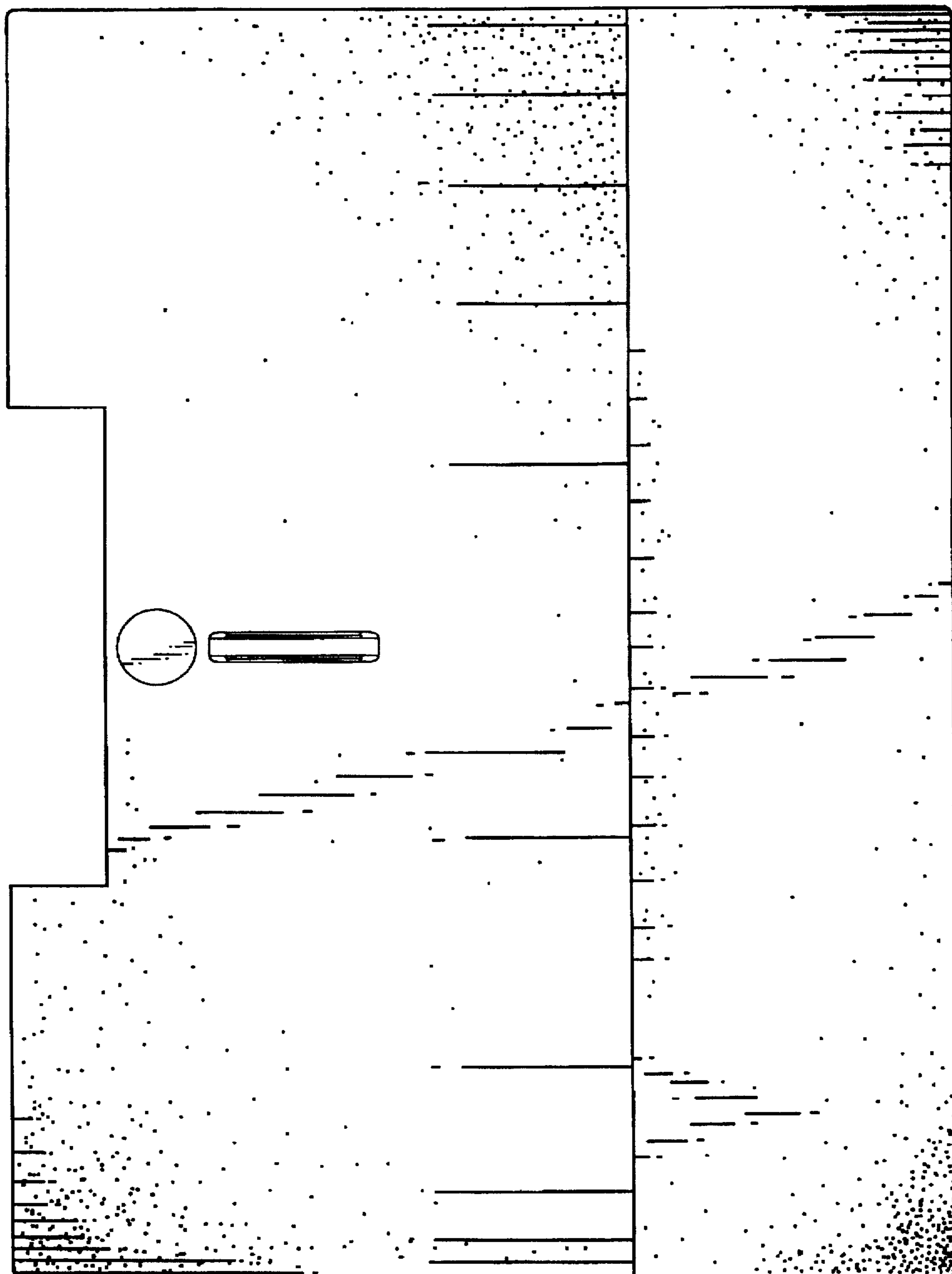


FIG 2

FIG 3



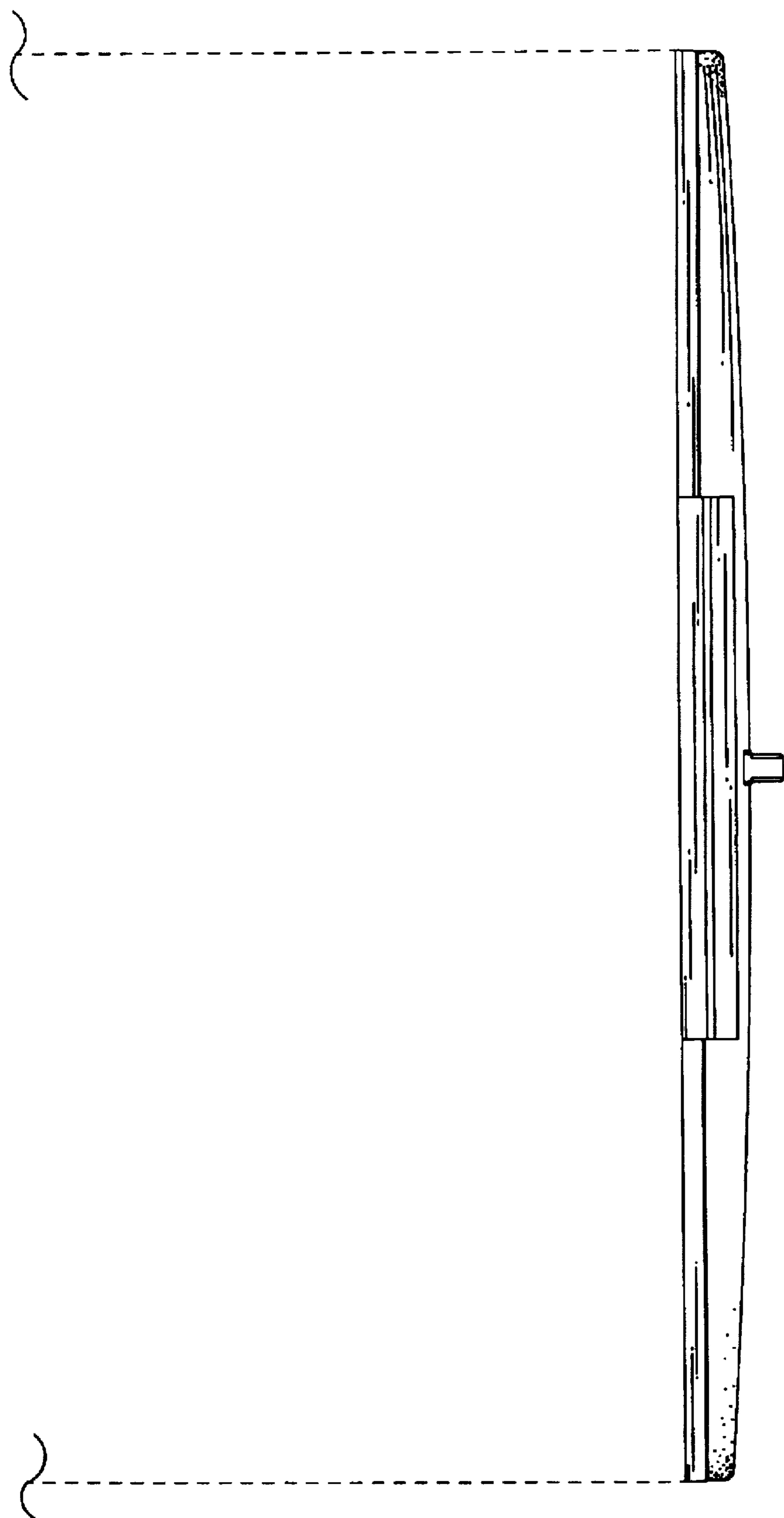


FIG 4

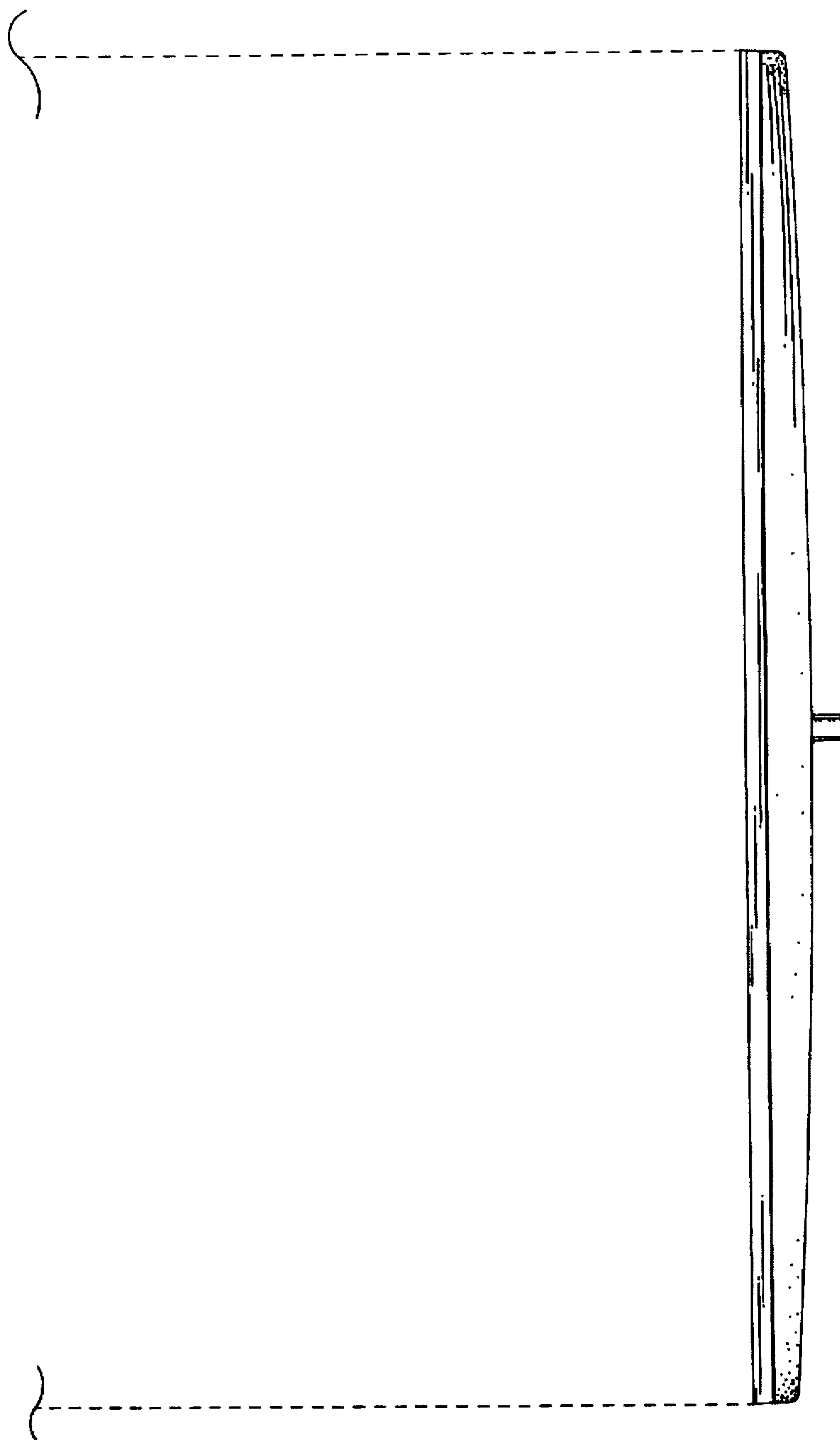


FIG 5

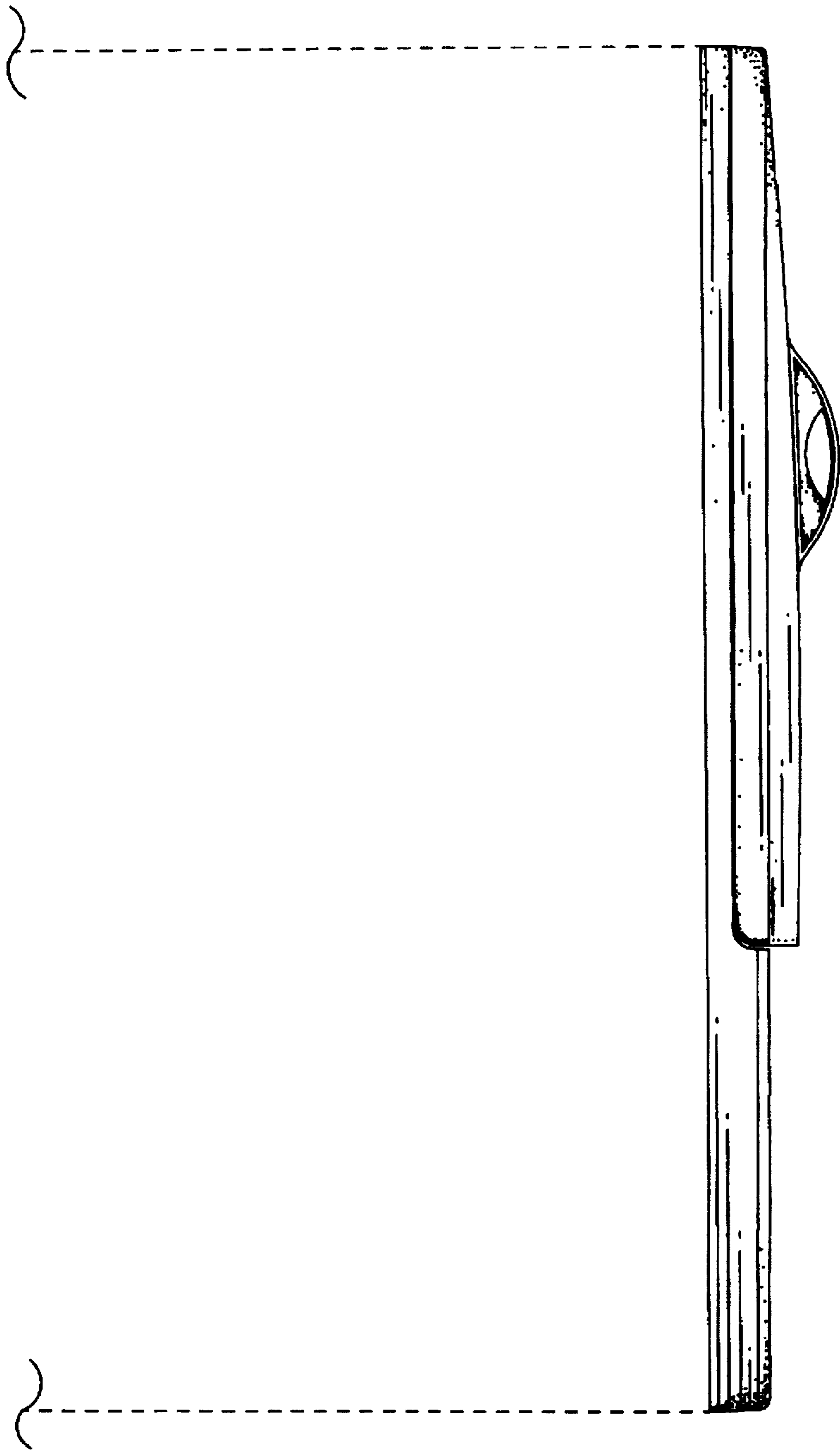


FIG 6