



US00D394429S

United States Patent [19]

Chen et al.

[11] Patent Number: **Des. 394,429**

[45] Date of Patent: ****May 19, 1998**

[54] **PAPER DELIVERING SCANNER**

D. 370,008 5/1996 Cheng D14/107
D. 372,467 8/1996 Lee D14/107

[75] Inventors: **Tony Chen**, Taipei; **Thomas Chang**; **Jesse Wu**, both of Hsin-Chu, all of Taiwan

Primary Examiner—Freda Nunn
Attorney, Agent, or Firm—Beveridge, DeGrandi, Weilacher & Young LLP

[73] Assignee: **Umax Data Systems Inc.**, Hsinchu, Taiwan

[57] **CLAIM**

[**] Term: **14 Years**

The ornamental design for a paper delivering scanner, as shown and described.

[21] Appl. No.: **70,646**

DESCRIPTION

[22] Filed: **May 13, 1997**

FIG. 1 is a front elevational view of the paper delivering scanner showing our new design;
FIG. 2 is a rear elevational view thereof;
FIG. 3 is a top view thereof;
FIG. 4 is a bottom view thereof;
FIG. 5 is a leftside elevational view thereof;
FIG. 6 is a rightside elevational view thereof;
FIG. 7 is a perspective view thereof;
FIG. 8 is an enlarged sectional view thereof taken along line 8—8 of FIG. 3; and
FIG. 9 is another perspective view thereof, in which a main body is separated from a base plate.

[51] **LOC (6) Cl.** **14-02**

[52] **U.S. Cl.** **D14/107**

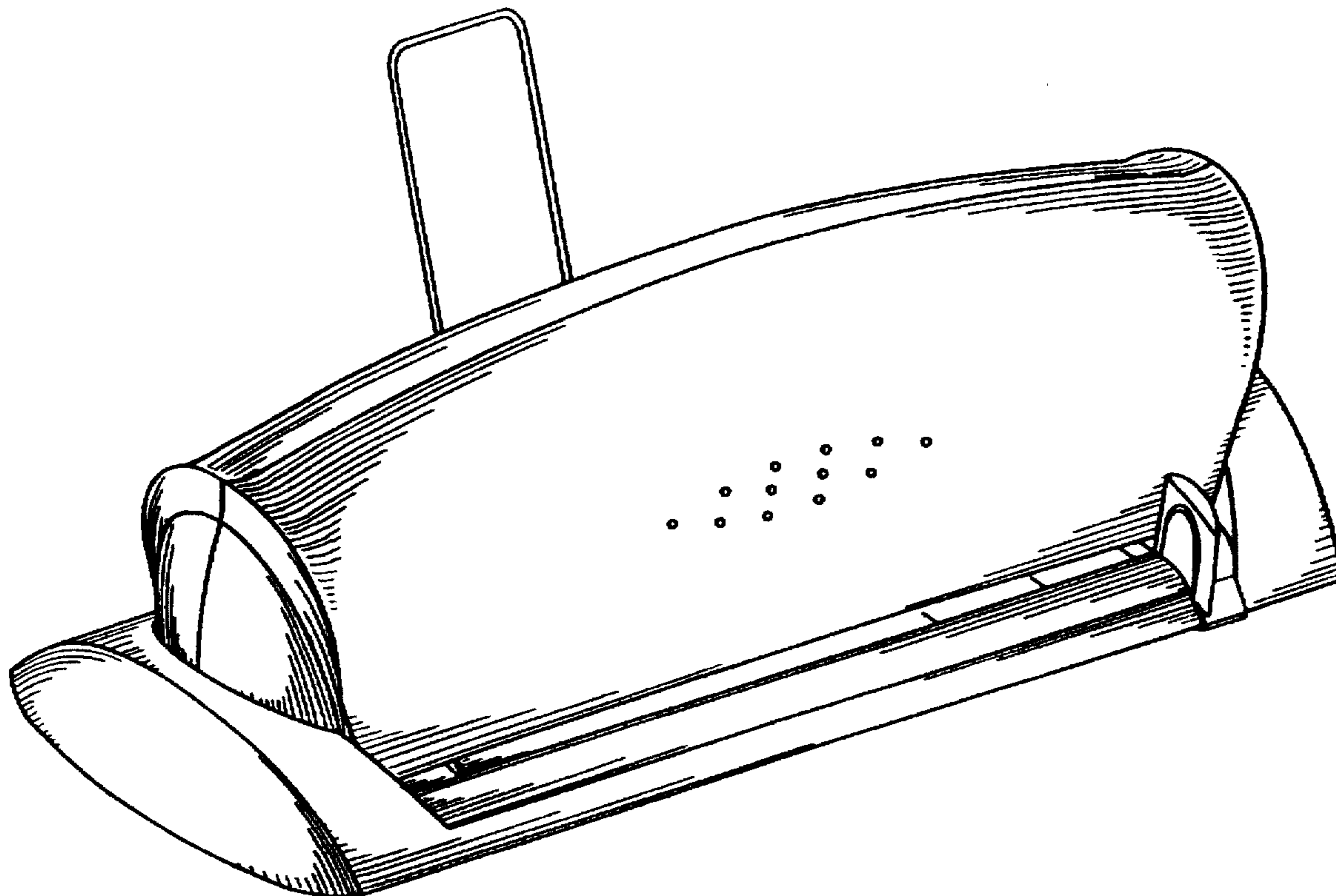
[58] **Field of Search** D14/100, 107, D14/118; D18/36, 37, 46, 52; D16/208, 214, 223, 232, 202; 250/556; 235/454, 462, 470, 472, 476

[56] **References Cited**

U.S. PATENT DOCUMENTS

D. 315,898 4/1991 Hokura et al. D14/107
D. 369,148 4/1996 Chen et al. D14/107

1 Claim, 8 Drawing Sheets



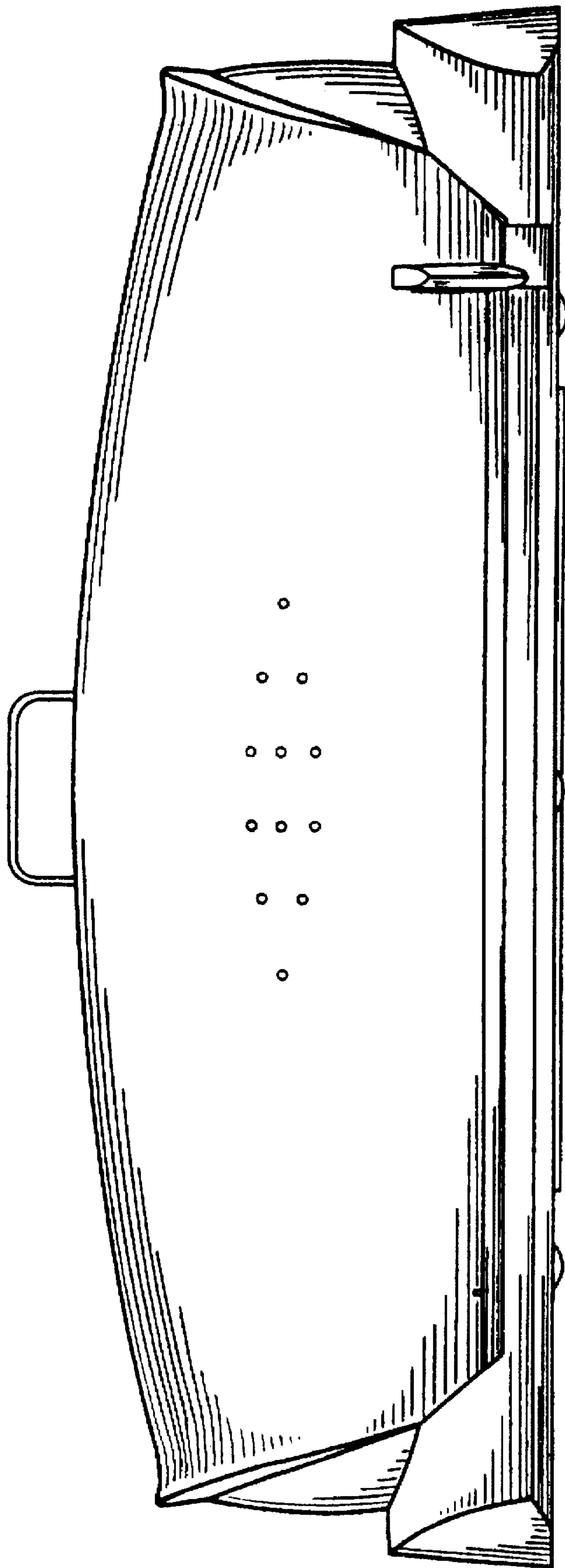


FIG. 1

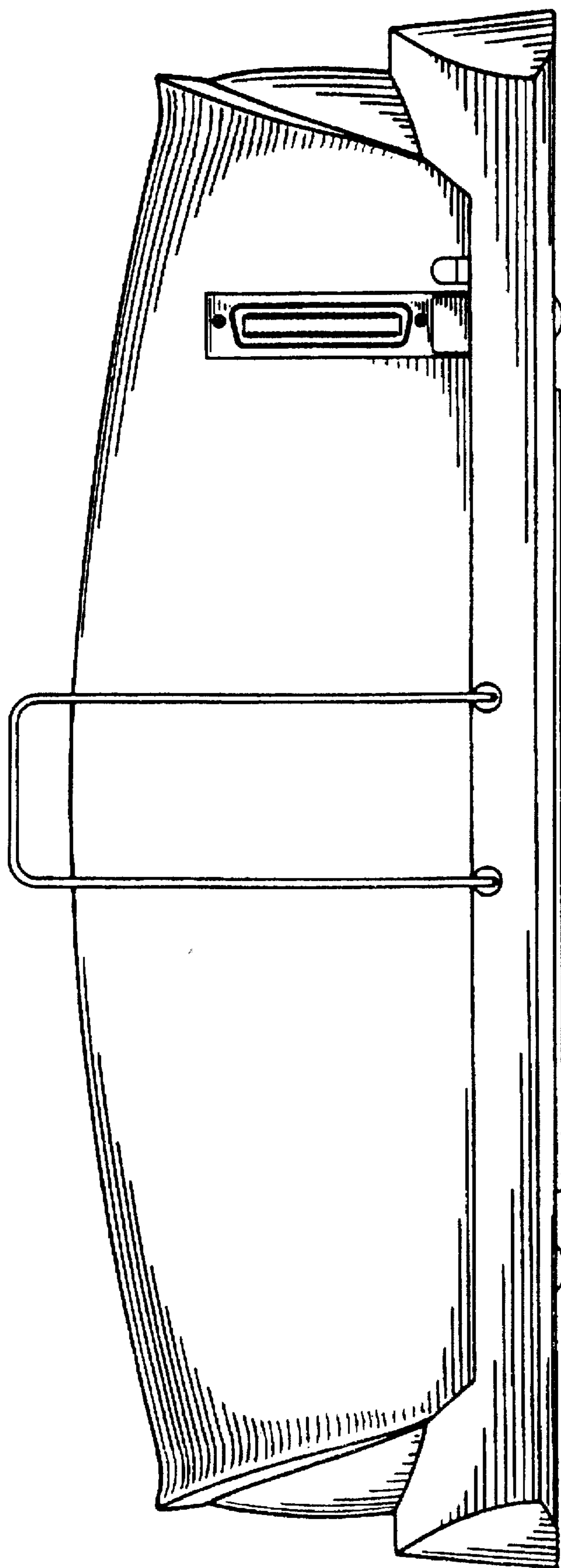


FIG. 2

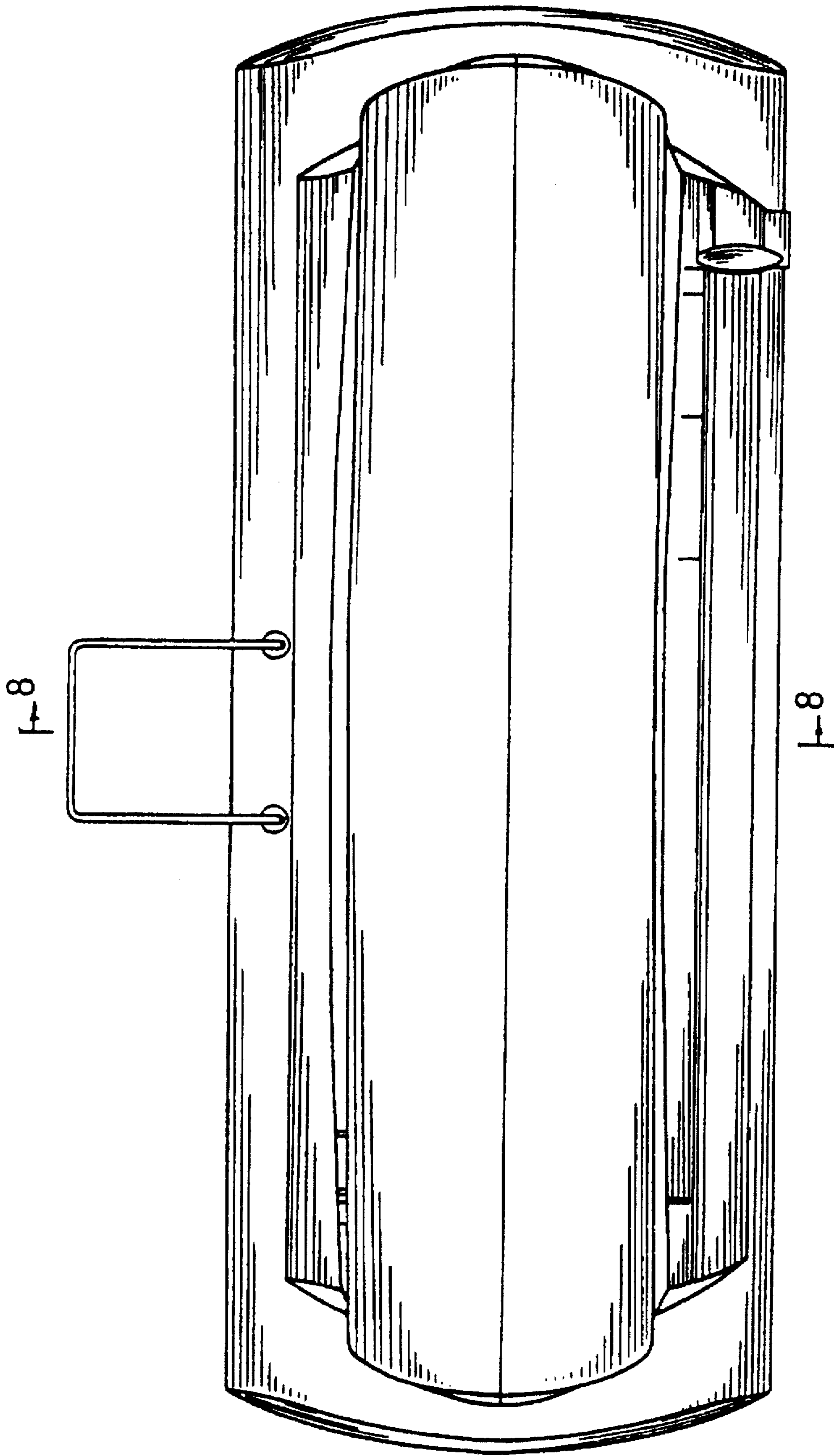


FIG. 3

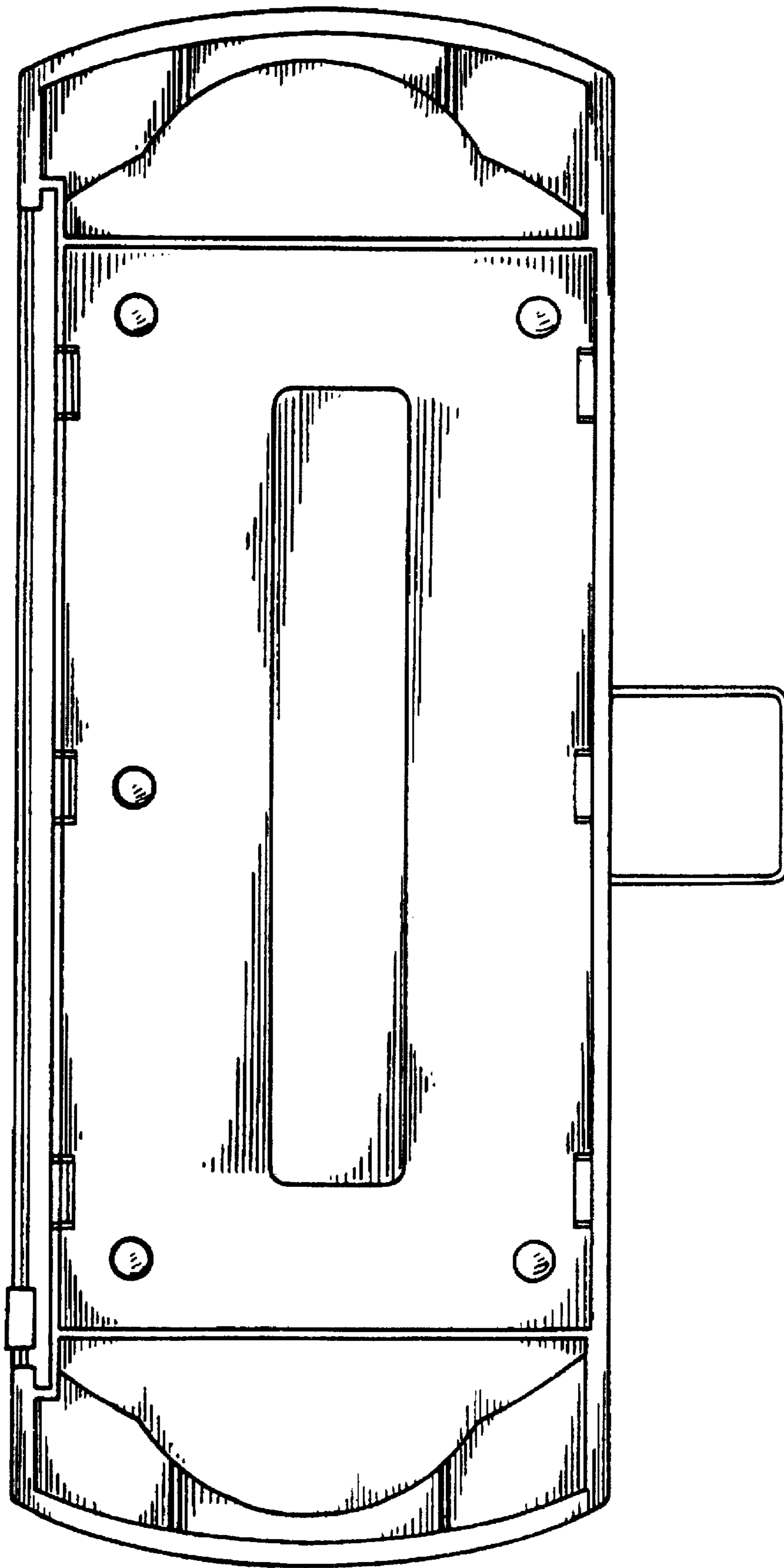


FIG. 4

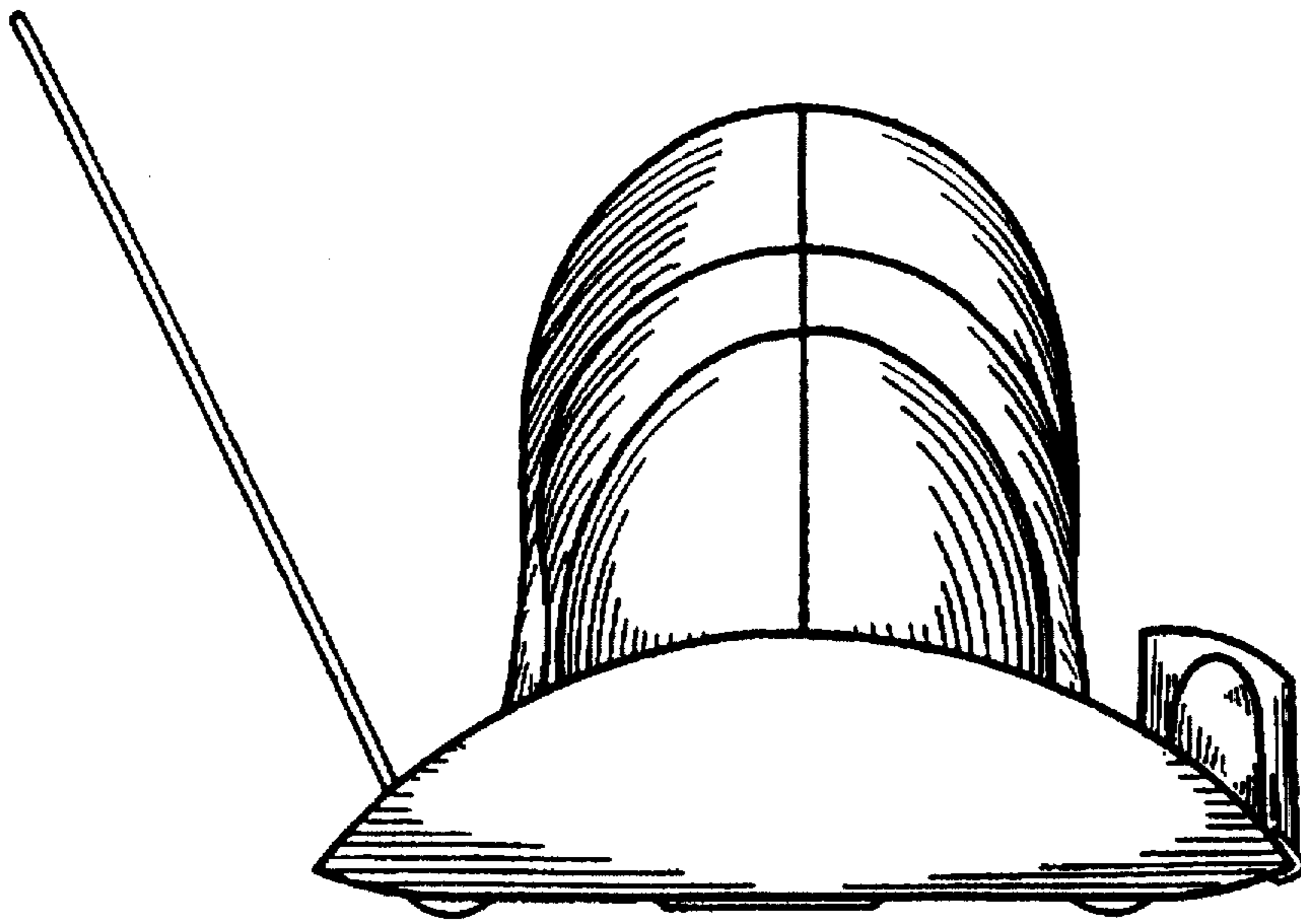


FIG. 5

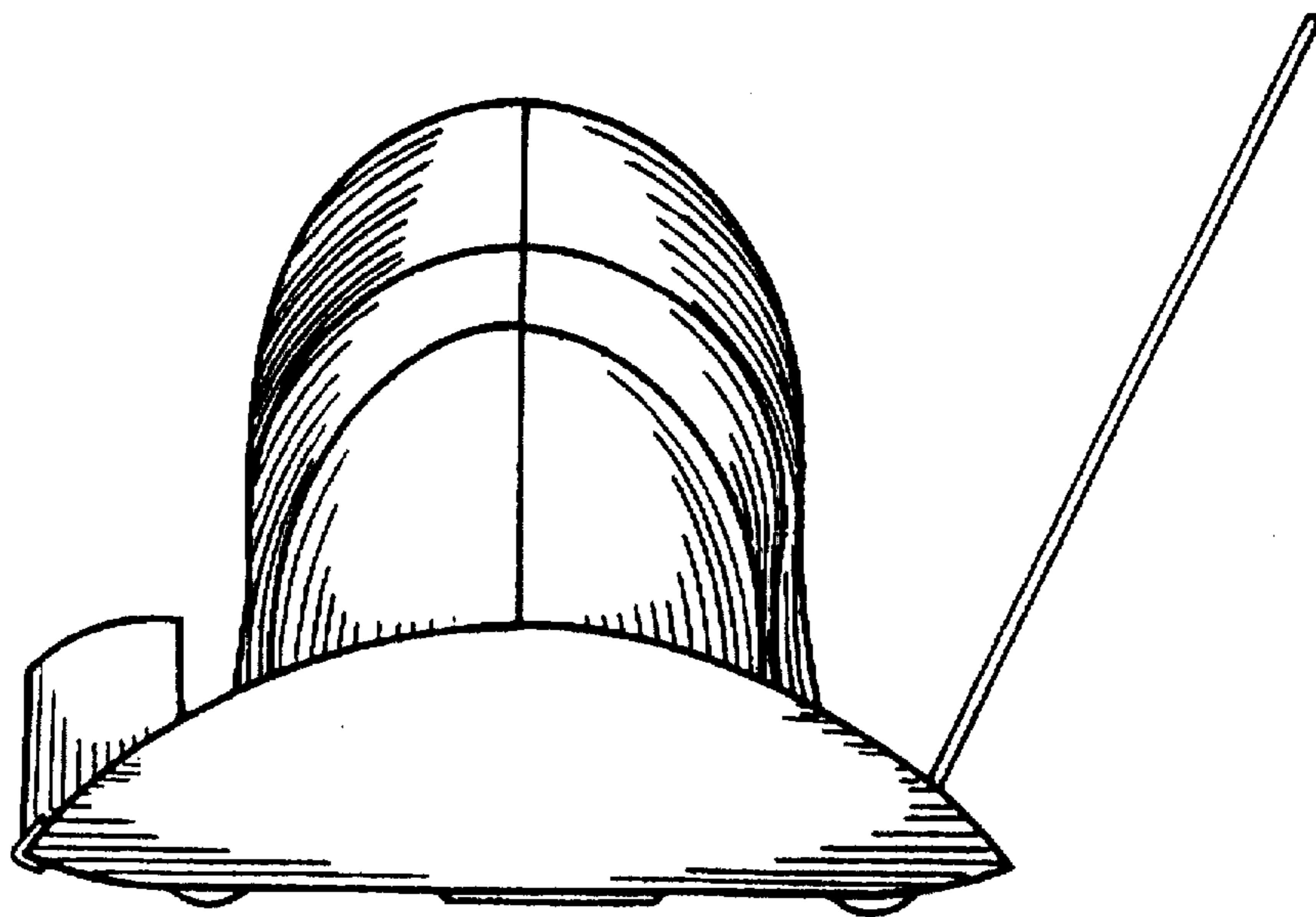


FIG. 6

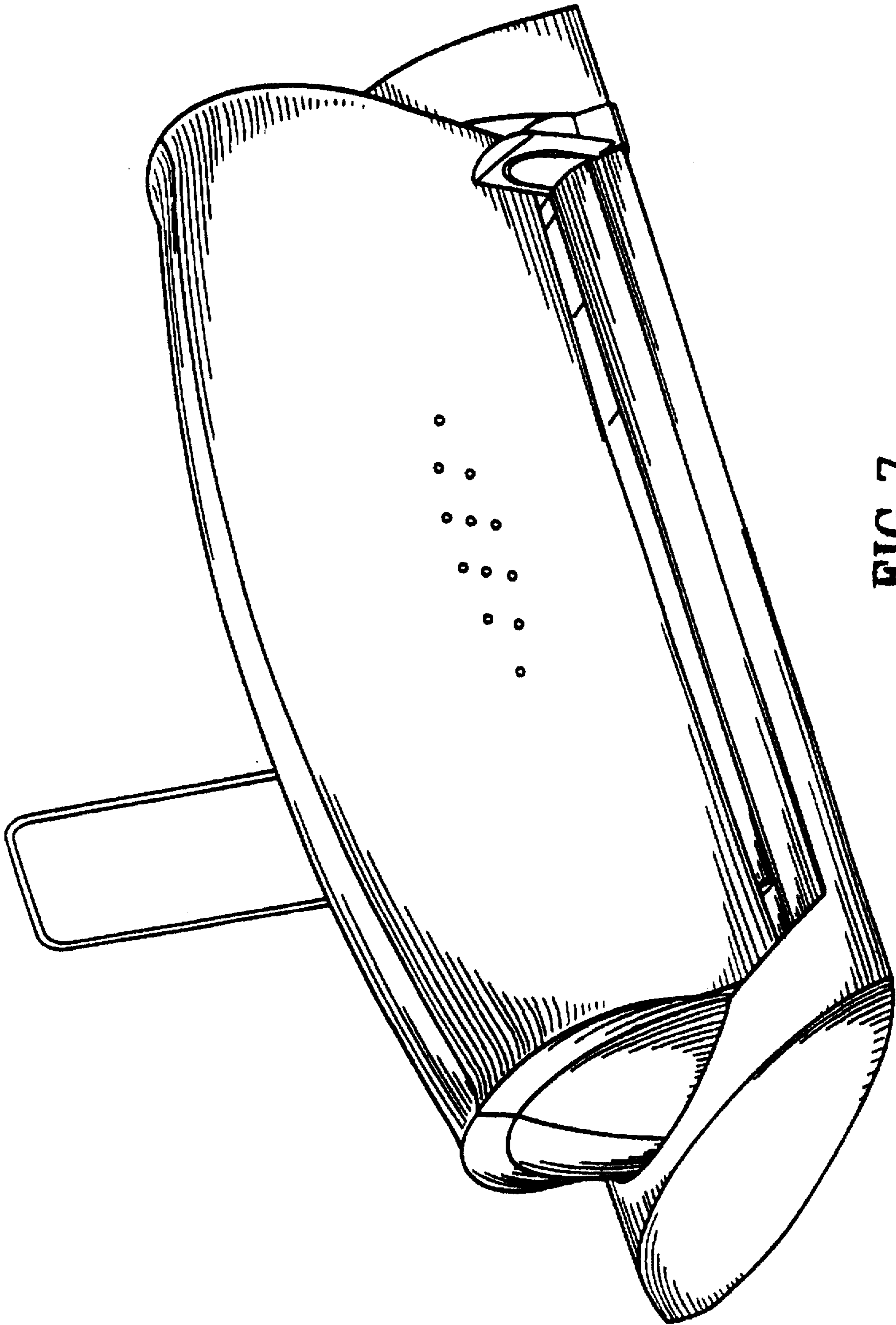


FIG. 7

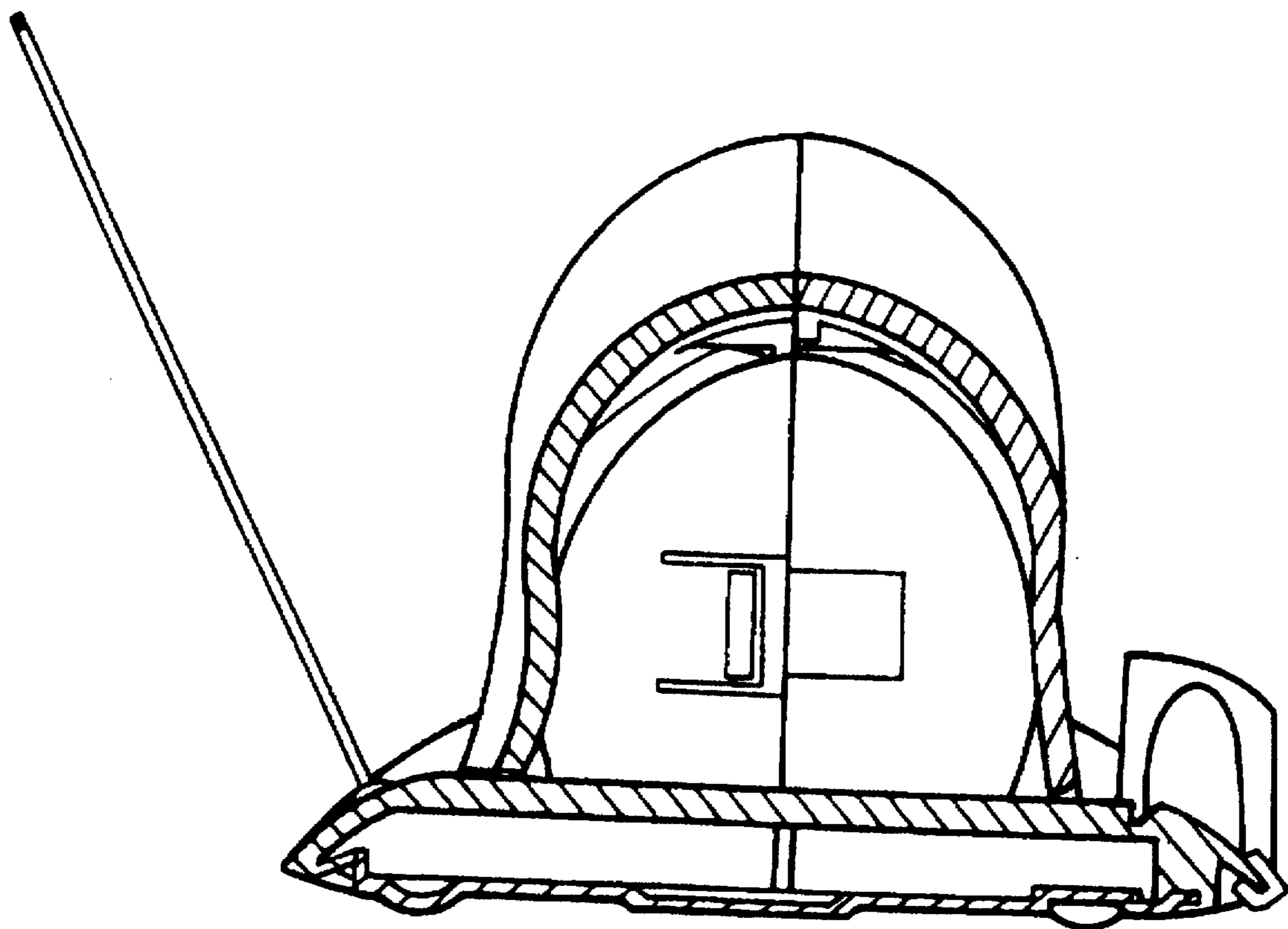


FIG. 8

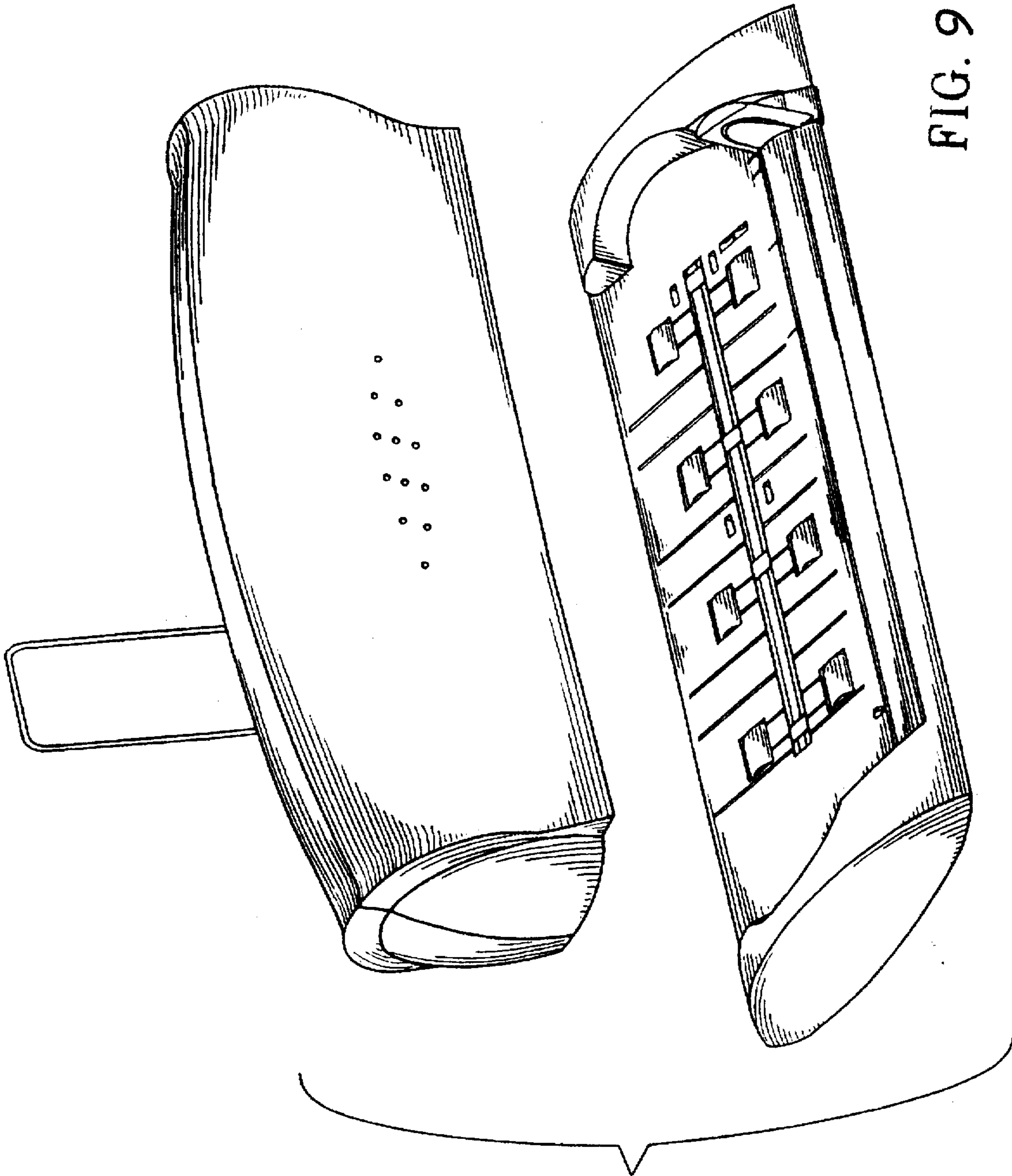


FIG. 9