



US00D394426S

United States Patent [19]

Akins

[11] Patent Number: Des. 394,426

[45] Date of Patent: ***May 19, 1998

[54] **FIBER OPTIC CONNECTOR**

5,274,729 12/1993 King et al. 385/53 X

5,287,425 2/1994 Chang .

5,381,498 1/1995 Bylander .

[76] Inventor: **Richard L. Akins**, 1407 E. Lowden Ave., Wheaton, Ill. 60187

[*] Notice: The portion of the term of this patent subsequent to Jan. 6, 2012, has been disclaimed.

[**] Term: **14 Years**

Primary Examiner—Alan P. Douglas
Assistant Examiner—Lavone D. Tabor
Attorney, Agent, or Firm—Mark D. Hilliard; Robert A. McCann; Michael J. Turgeon

[21] Appl. No.: **63,645**

[22] Filed: **Dec. 11, 1996**

[51] LOC (6) Cl. **13-03**

[52] U.S. Cl. **D13/133**

[58] Field of Search D13/133, 146, D13/147; D14/256; 385/53-56, 60, 75-78; 439/350, 352, 607-610, 660, 668, 669, 672, 676

[57] **CLAIM**

The ornamental design for a fiber optic connector, as shown and described.

DESCRIPTION

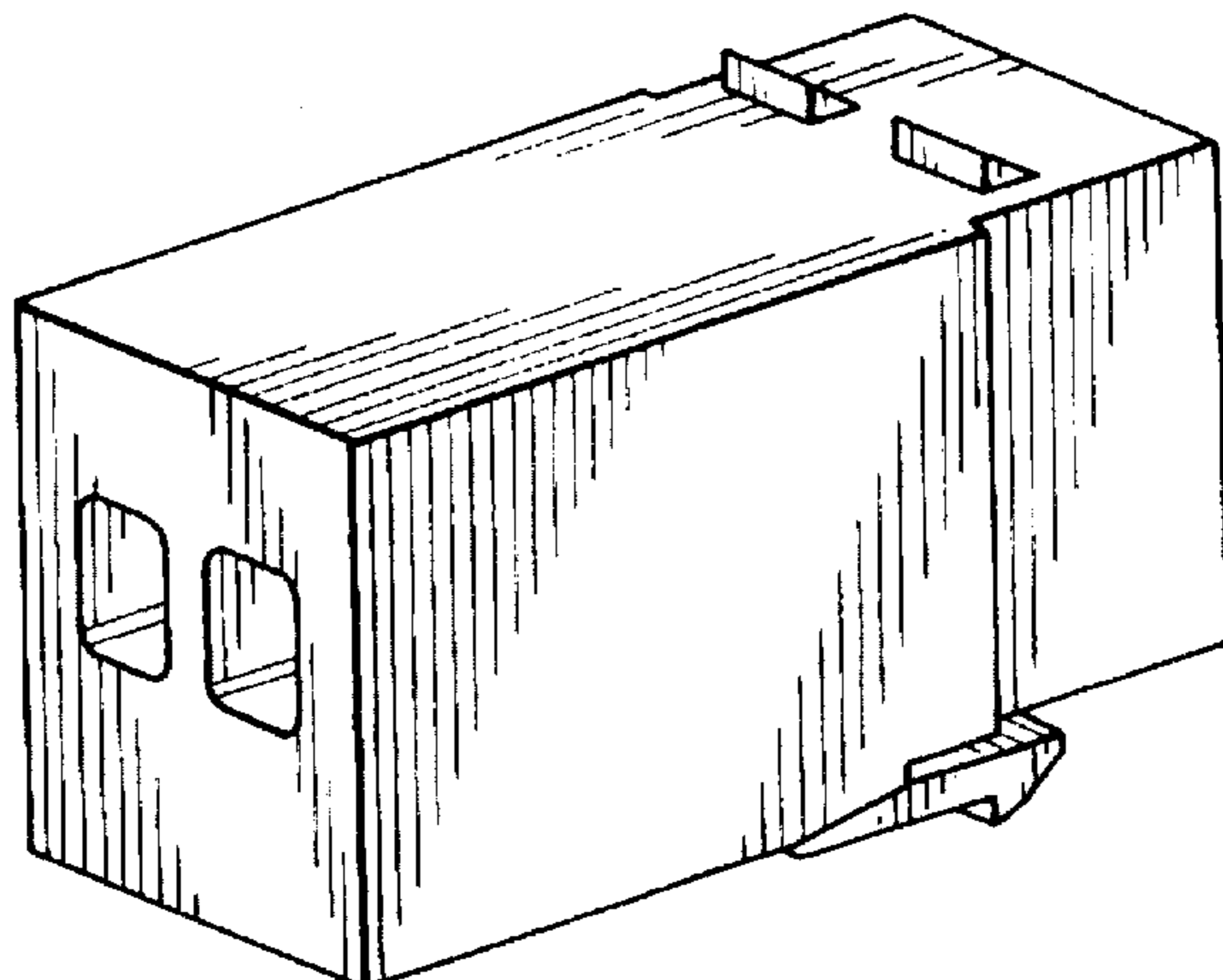
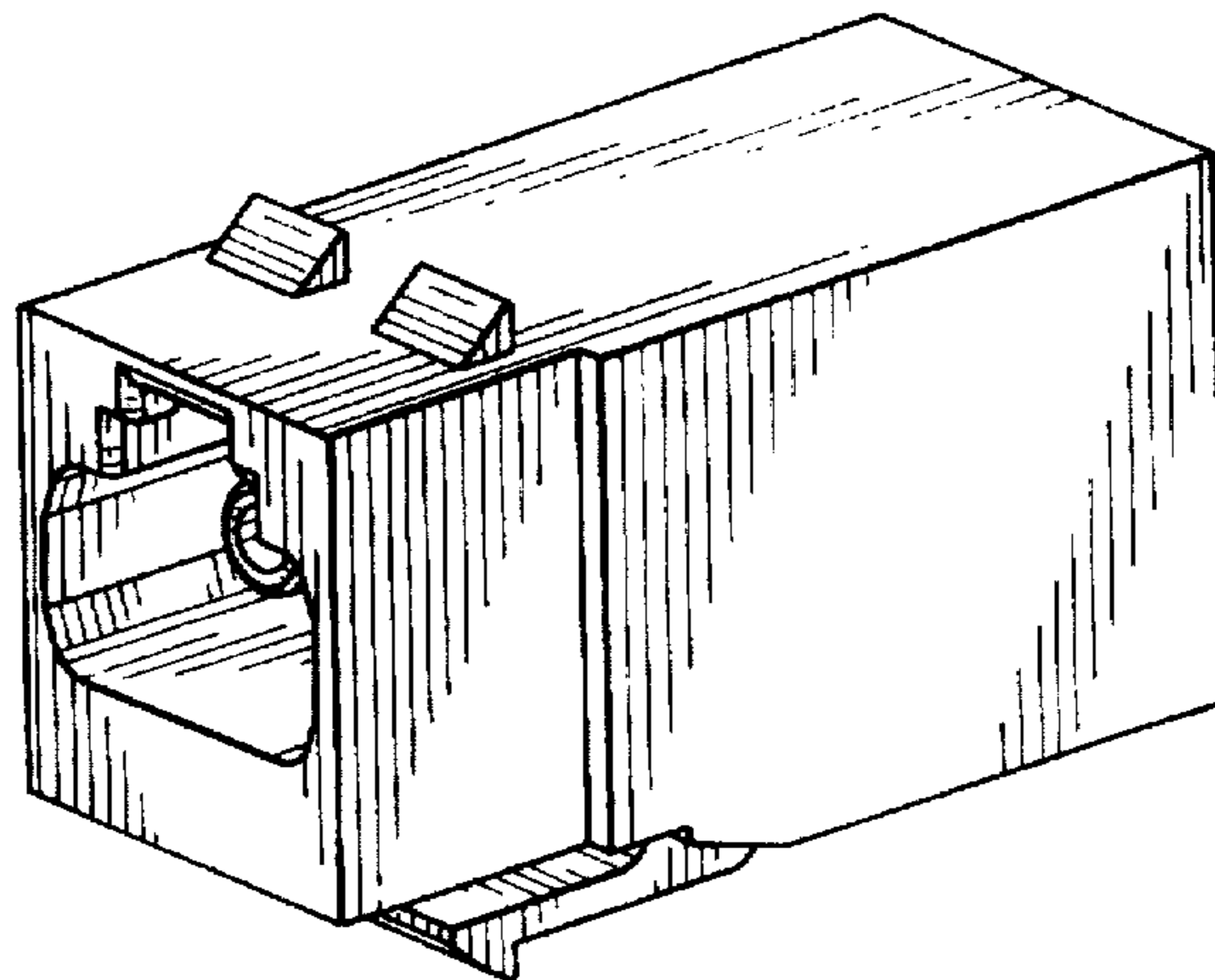
FIG. 1 is a front perspective view from the top side of the fiber optic connector showing our new design;
FIG. 2 is a rear perspective view from the top side of the fiber optic connector of FIG. 1;
FIG. 3 is a front perspective view from the bottom side of the fiber optic connector of FIG. 1;
FIG. 4 is a front elevational view thereof;
FIG. 5 is a rear elevational view thereof;
FIG. 6 is a side elevational view, the opposite side is a mirror image;
FIG. 7 is a top plan view thereof; and,
FIG. 8 is a bottom elevational view thereof.

[56] **References Cited**

U.S. PATENT DOCUMENTS

- 4,261,633 4/1981 Abernethy .
- 4,762,388 8/1988 Tanaka et al. 385/60 X
- 4,872,736 10/1989 Myers et al. 385/60
- 4,904,209 2/1990 Nelson .
- 5,118,310 6/1992 Stroede et al. .

1 Claim, 3 Drawing Sheets



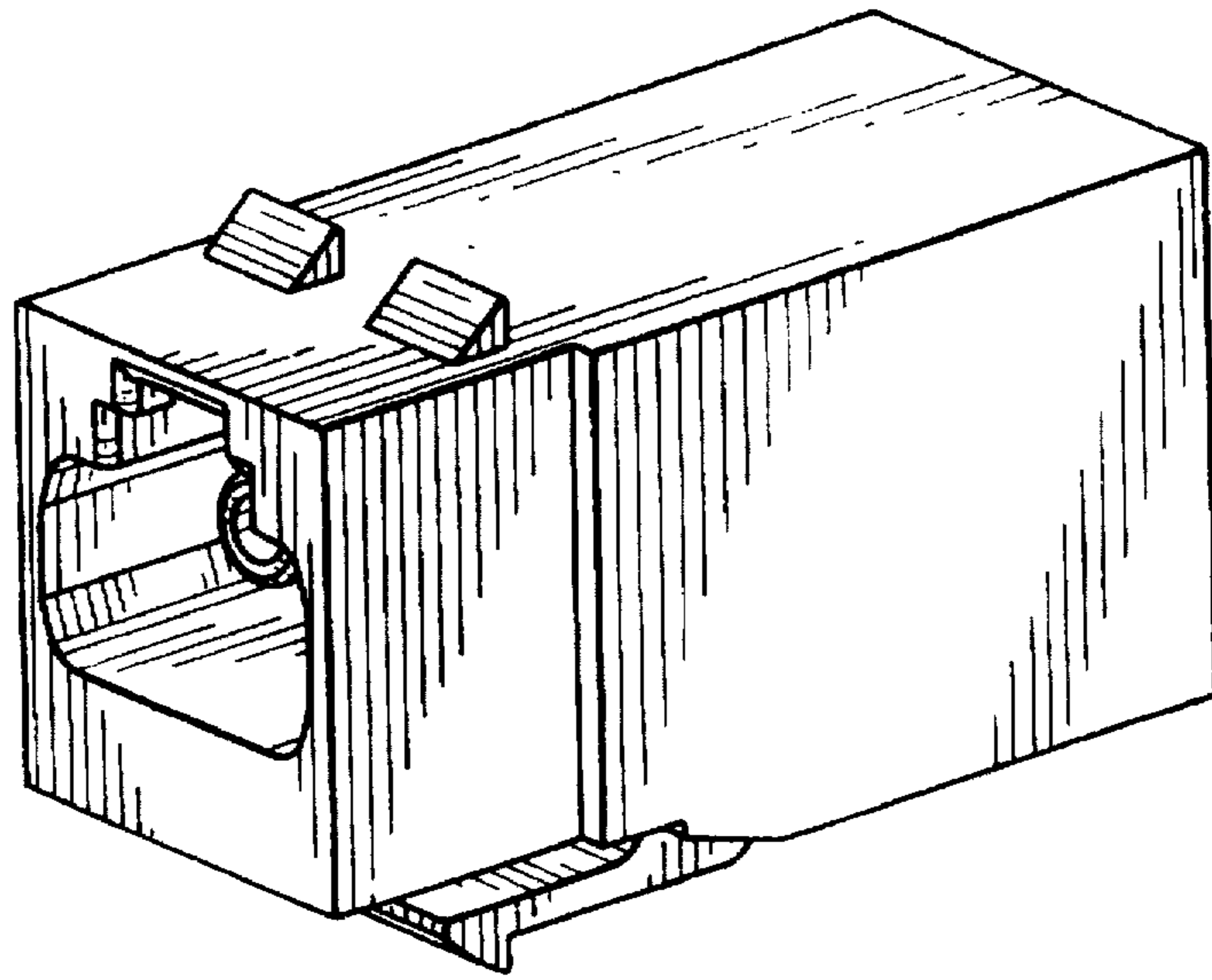


FIG. 1

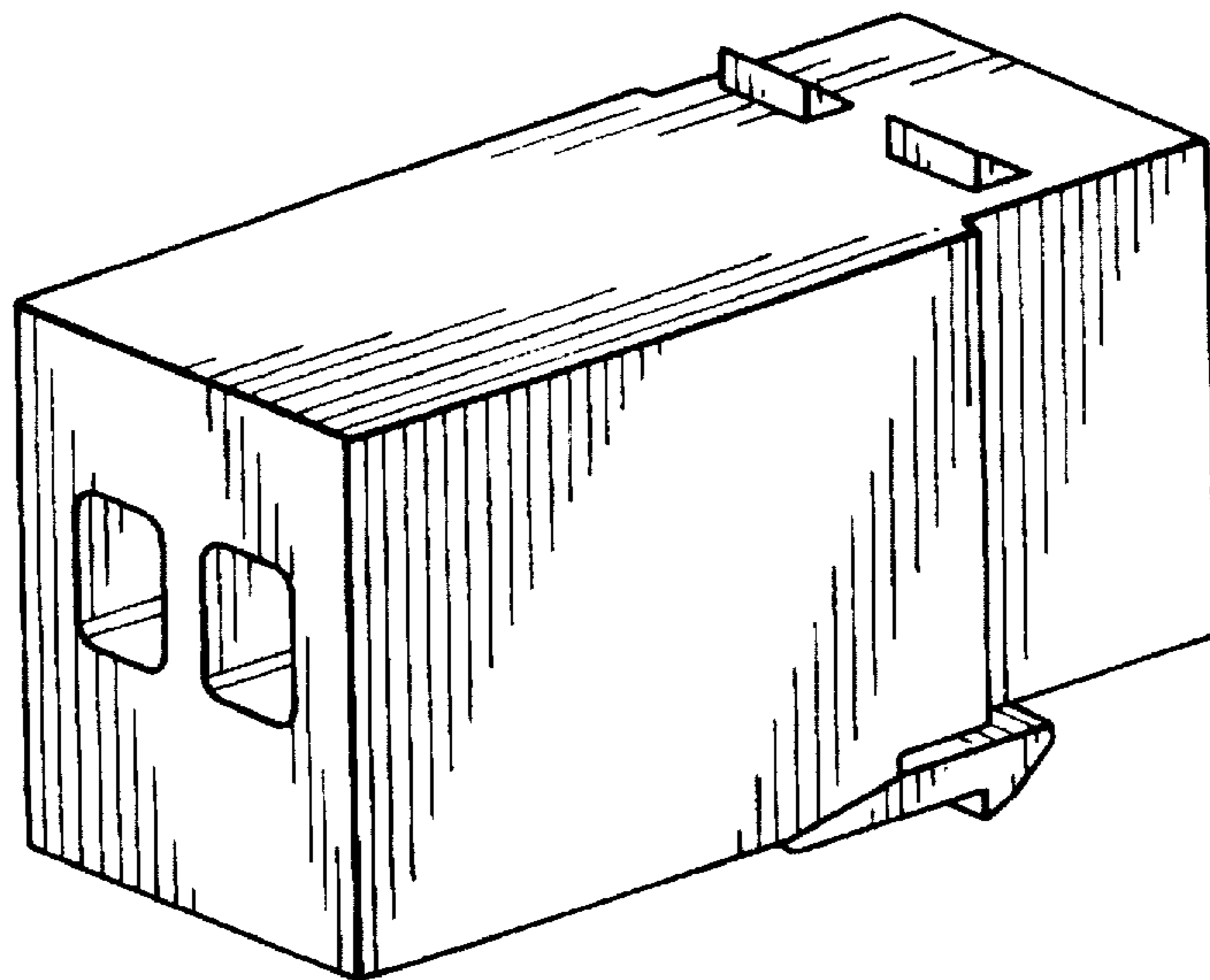


FIG. 2

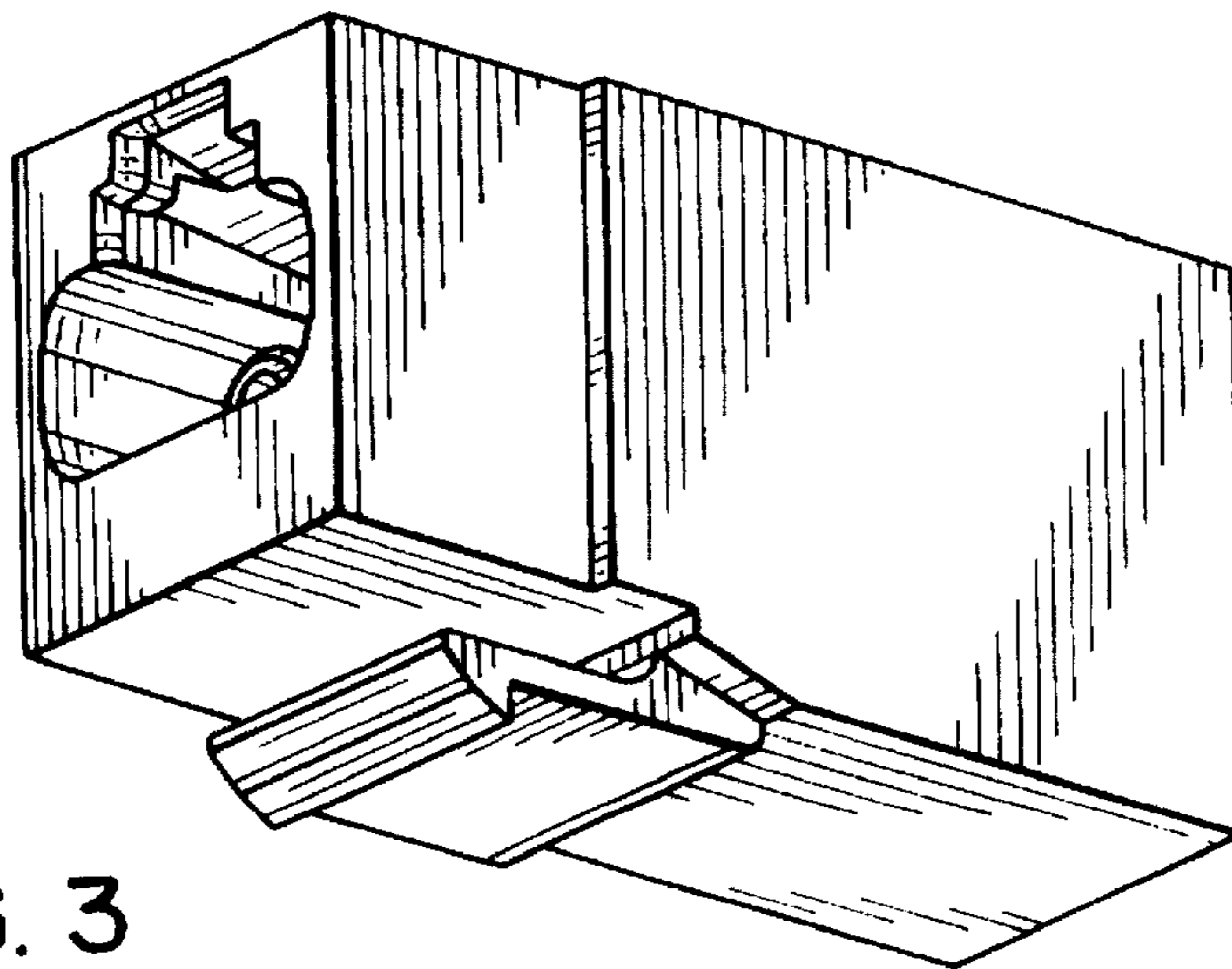


FIG. 3

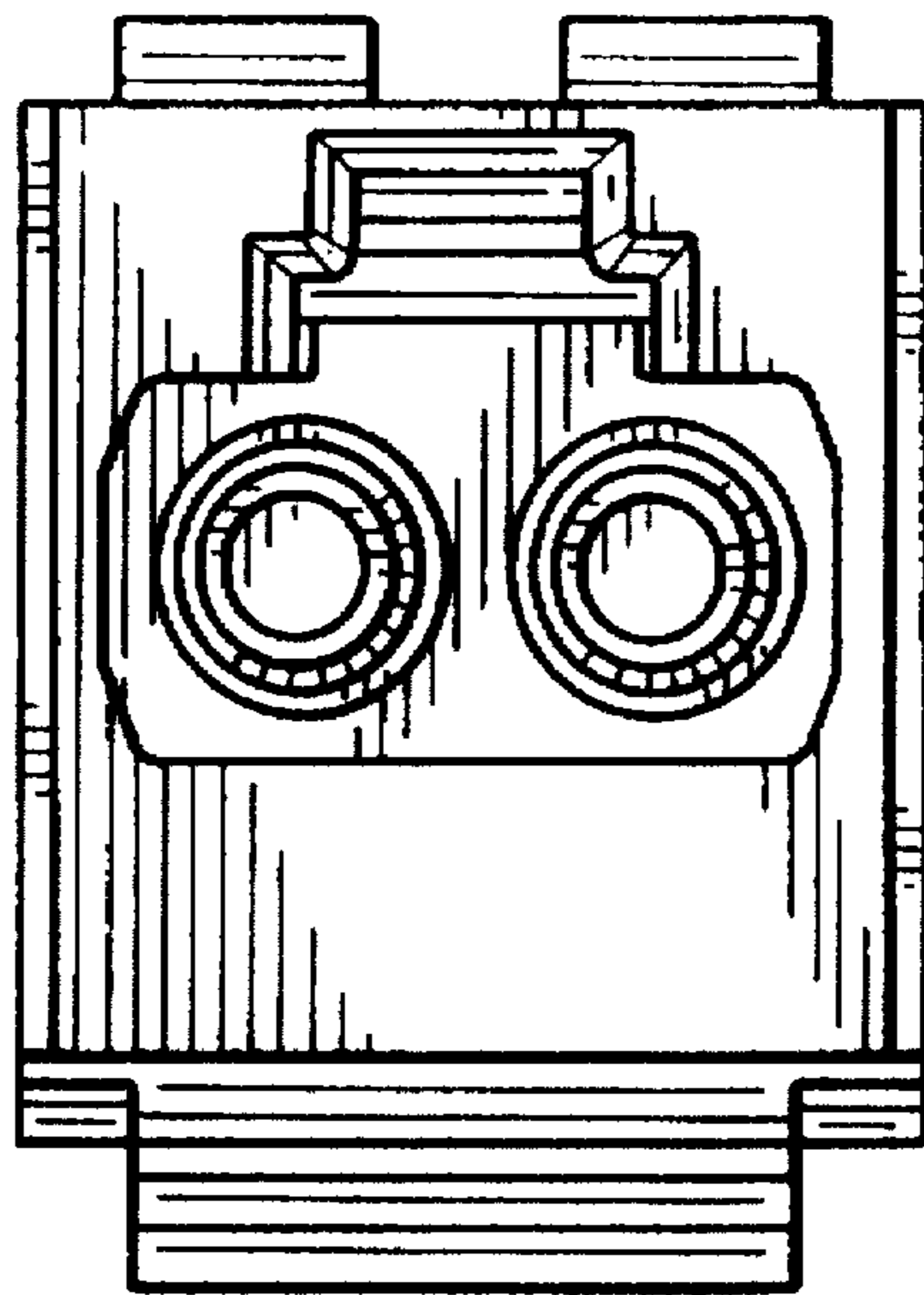


FIG. 4

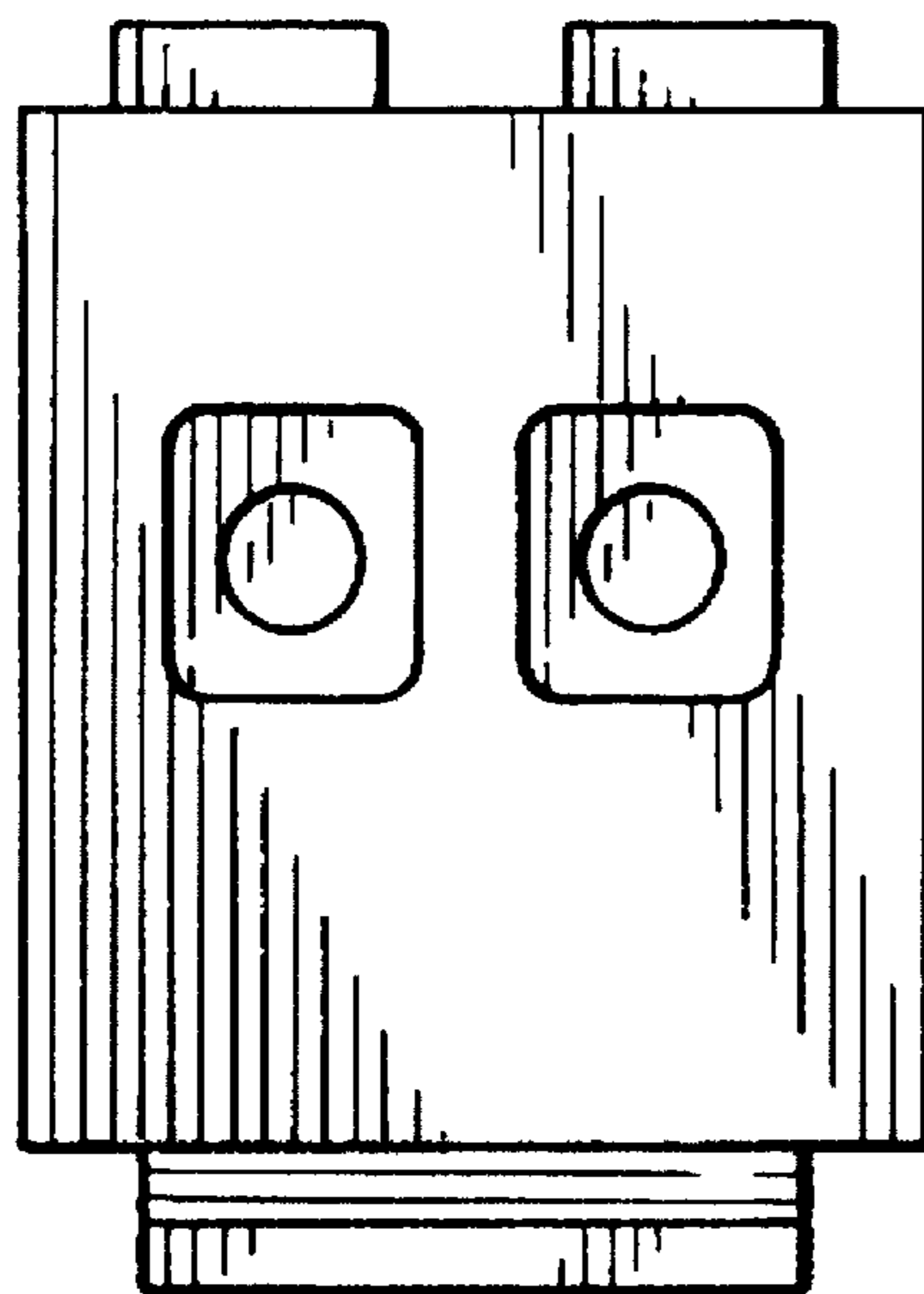


FIG. 5

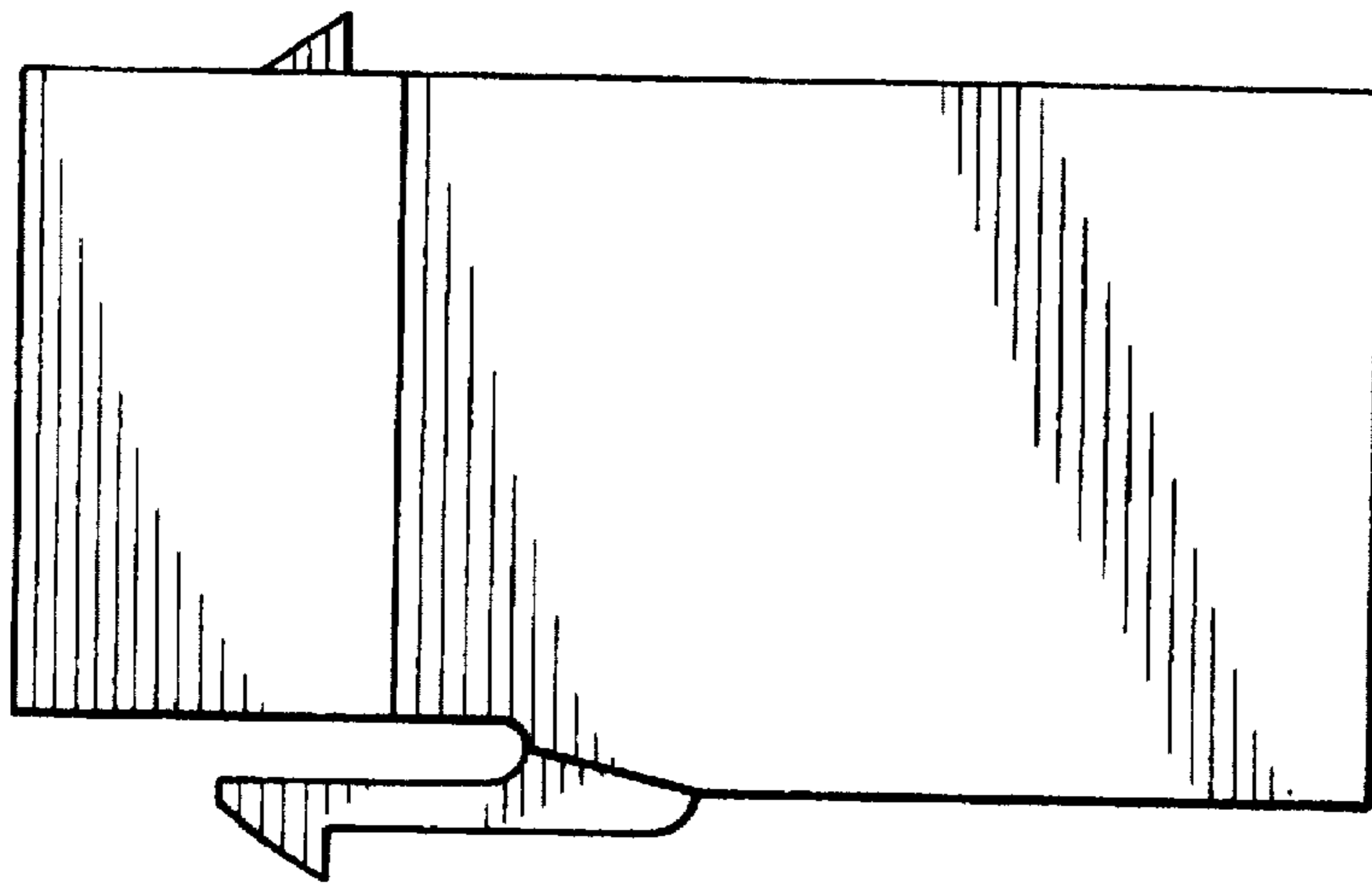


FIG. 6

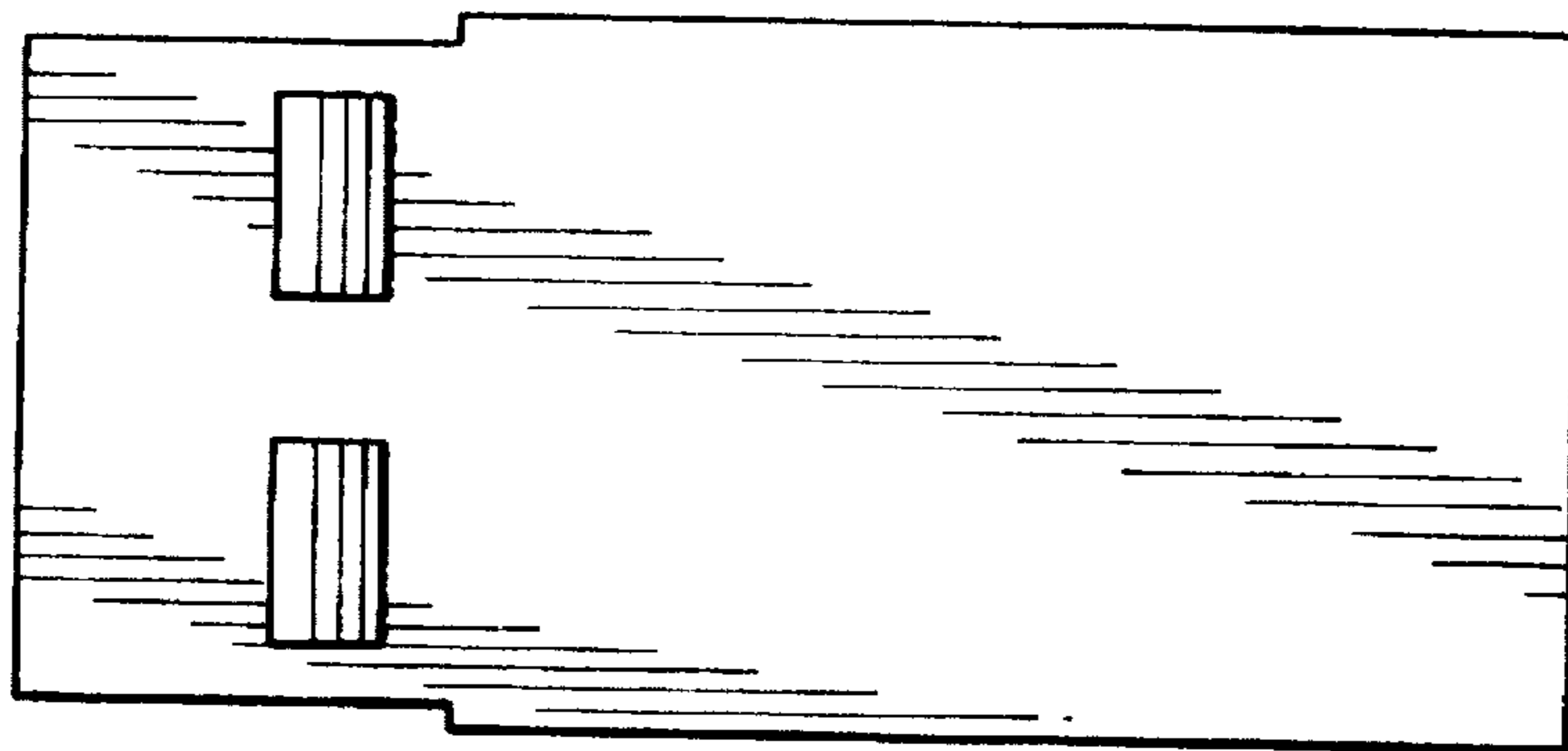


FIG. 7

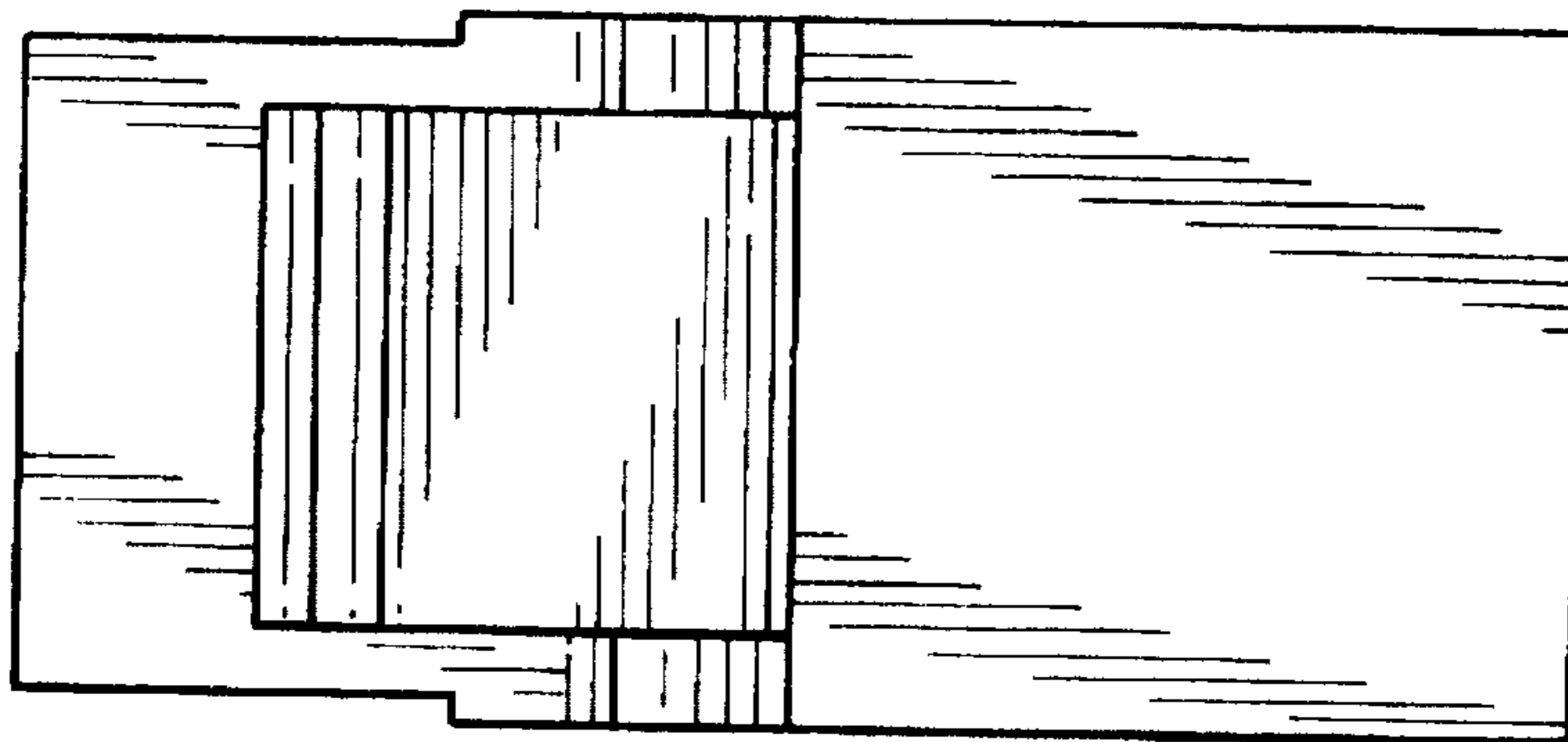


FIG. 8