



US00D394425S

# United States Patent [19]

Snyder et al.

[11] Patent Number: **Des. 394,425**

[45] Date of Patent: **\*\*May 19, 1998**

[54] **BATTERY CHARGER HOUSING**

5,059,885 10/1991 Weiss et al. .  
5,656,914 8/1997 Nagele et al. .... D13/107 X

[75] Inventors: **Michael Thomas Snyder**, Chicago;  
**John Francis Hannon**, Gurnee, both of Ill.

**OTHER PUBLICATIONS**

Pending U.S. Patent Application, Ser. No. 29/045,836, CE0123R-Nagele et al., "Battery Charger". NTT Do Co Mo, mo va. Japan, pp.1, 88, 90.

[73] Assignee: **Motorola, Inc.**, Schaumburg, Ill.

*Primary Examiner*—Joel Sincavage  
*Attorney, Agent, or Firm*—Mark D. Patrick

[\*\*] Term: **14 Years**

[21] Appl. No.: **60,078**

[57] **CLAIM**

[22] Filed: **Sep. 20, 1996**

The ornamental design for a battery charger housing, as shown and described.

[51] LOC (6) Cl. .... **13-02**

[52] U.S. Cl. .... **D13/118**

[58] Field of Search ..... D13/107, 108,  
D13/118; 320/2, 3, 4, 15

**DESCRIPTION**

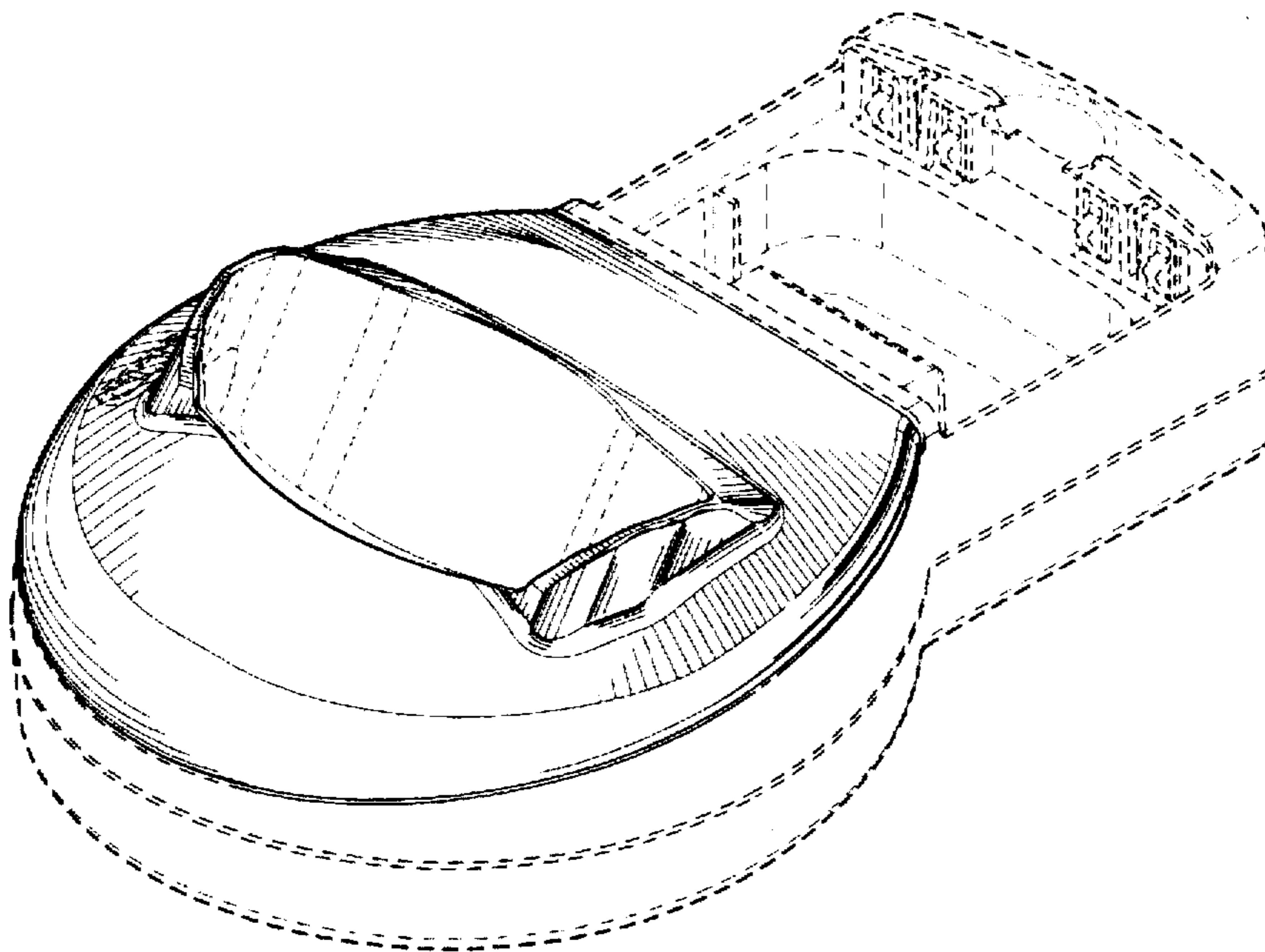
FIG. 1 is a front, top, and right side perspective view showing our new design for a battery charger housing; FIG. 2 is a left side elevational view thereof; FIG. 3 is a rear elevational view thereof; FIG. 4 is a top plan view thereof; and, FIG. 5 is a bottom plan view thereof. The broken line showings in FIGS. 1-5 are for illustrative purposes only and form no part of the claimed design.

[56] **References Cited**

**U.S. PATENT DOCUMENTS**

|            |         |                 |       |         |
|------------|---------|-----------------|-------|---------|
| D. 342,718 | 12/1993 | Mackay          | ..... | D13/108 |
| D. 353,131 | 12/1994 | Nagele          | .     |         |
| D. 358,364 | 5/1995  | Siddoway        | ..... | D13/108 |
| D. 358,579 | 5/1995  | Richards et al. | ..... | D13/108 |
| D. 380,729 | 7/1997  | Richards et al. | ..... | D13/108 |

**1 Claim, 4 Drawing Sheets**



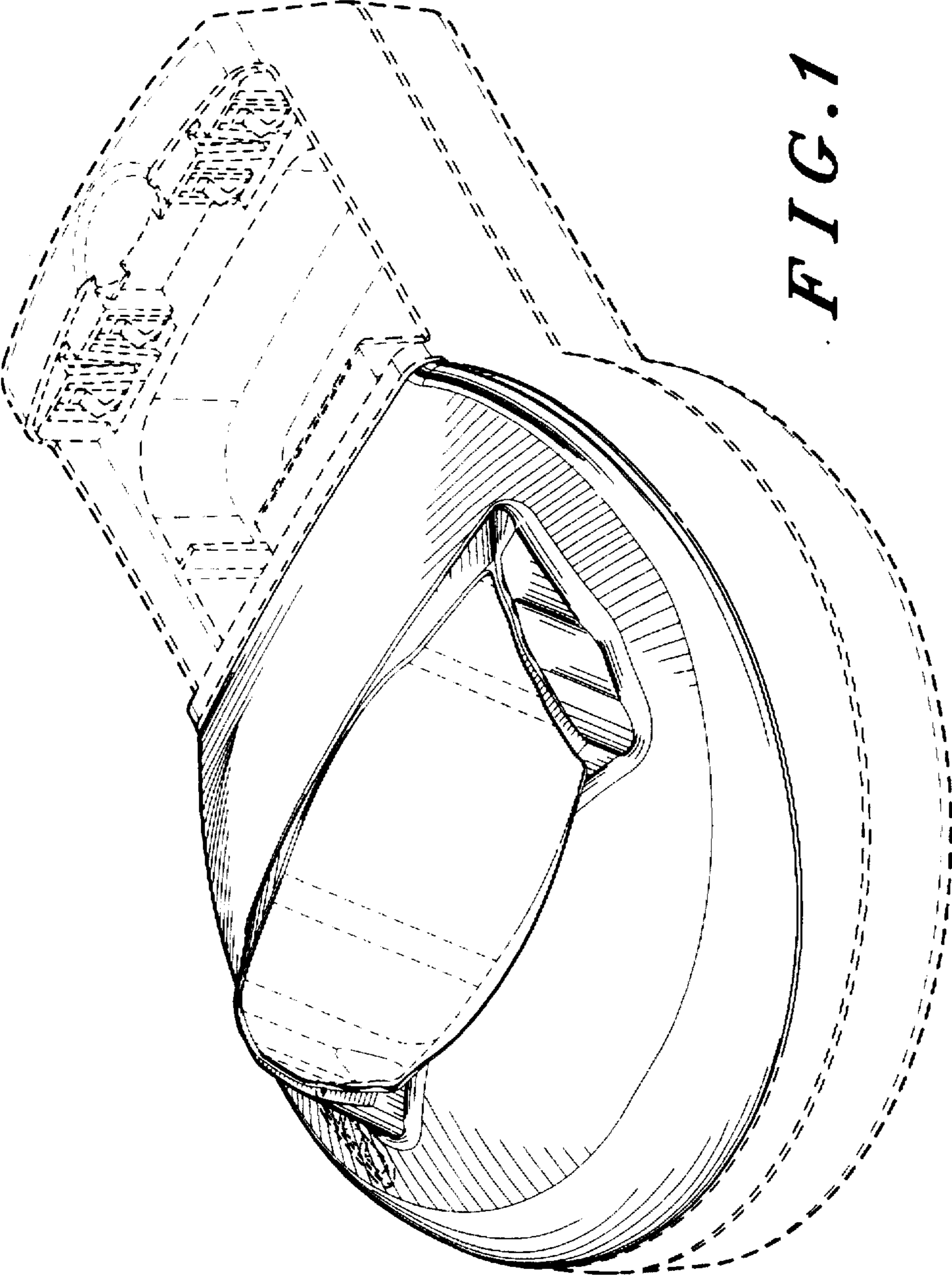
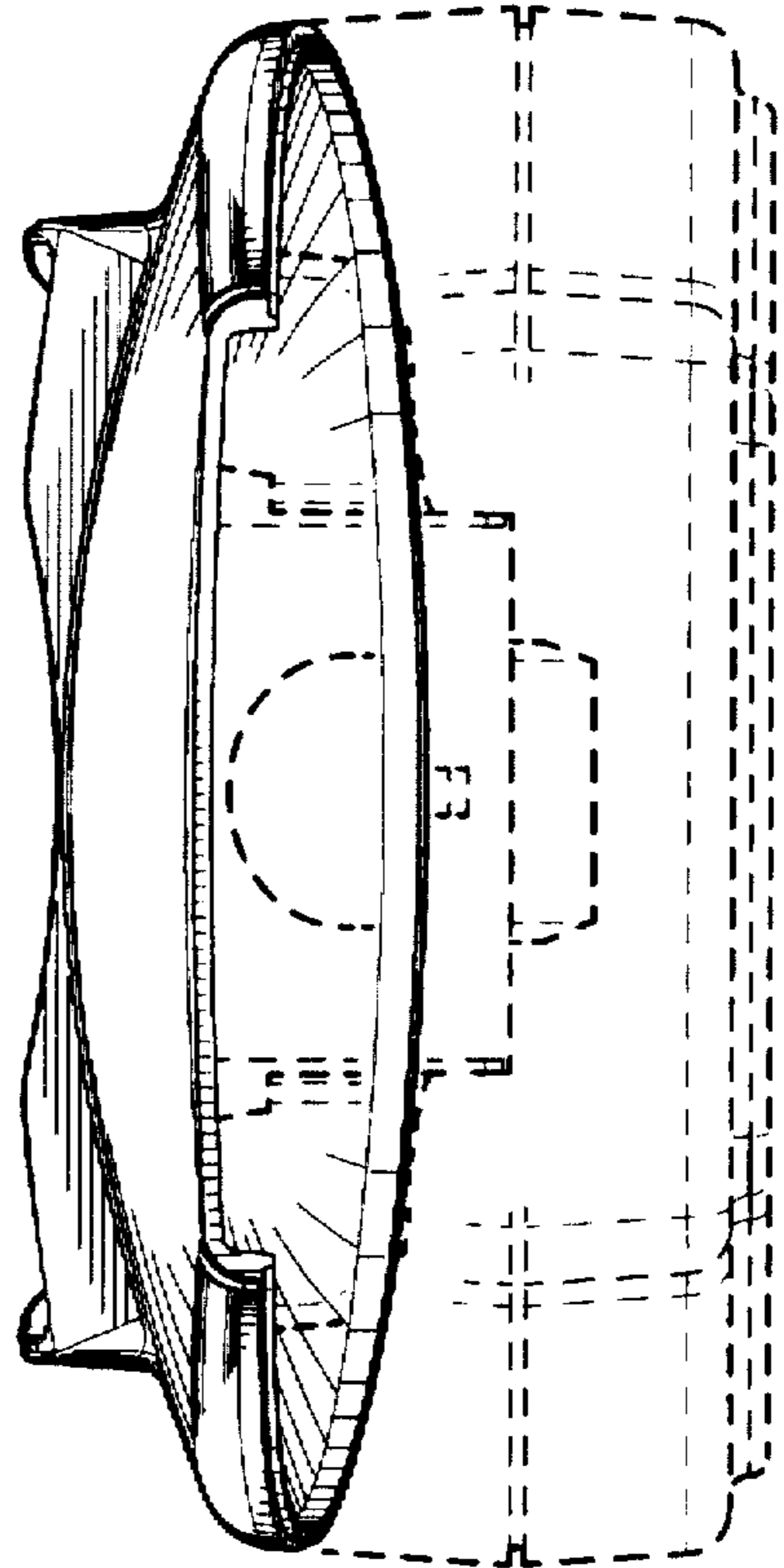
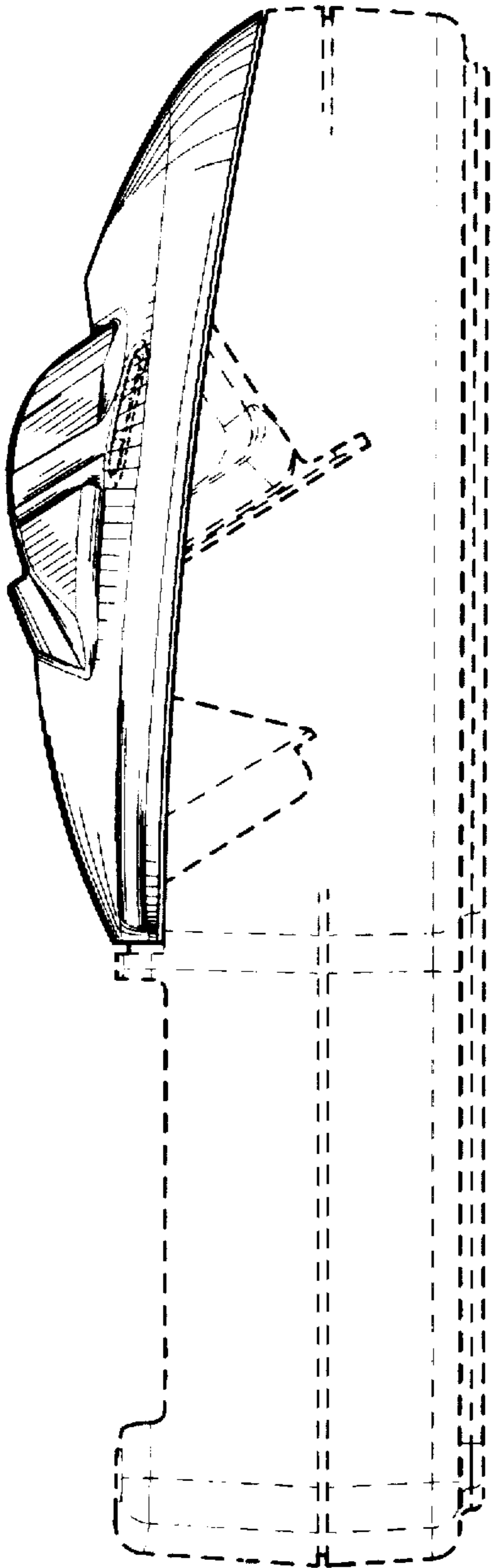
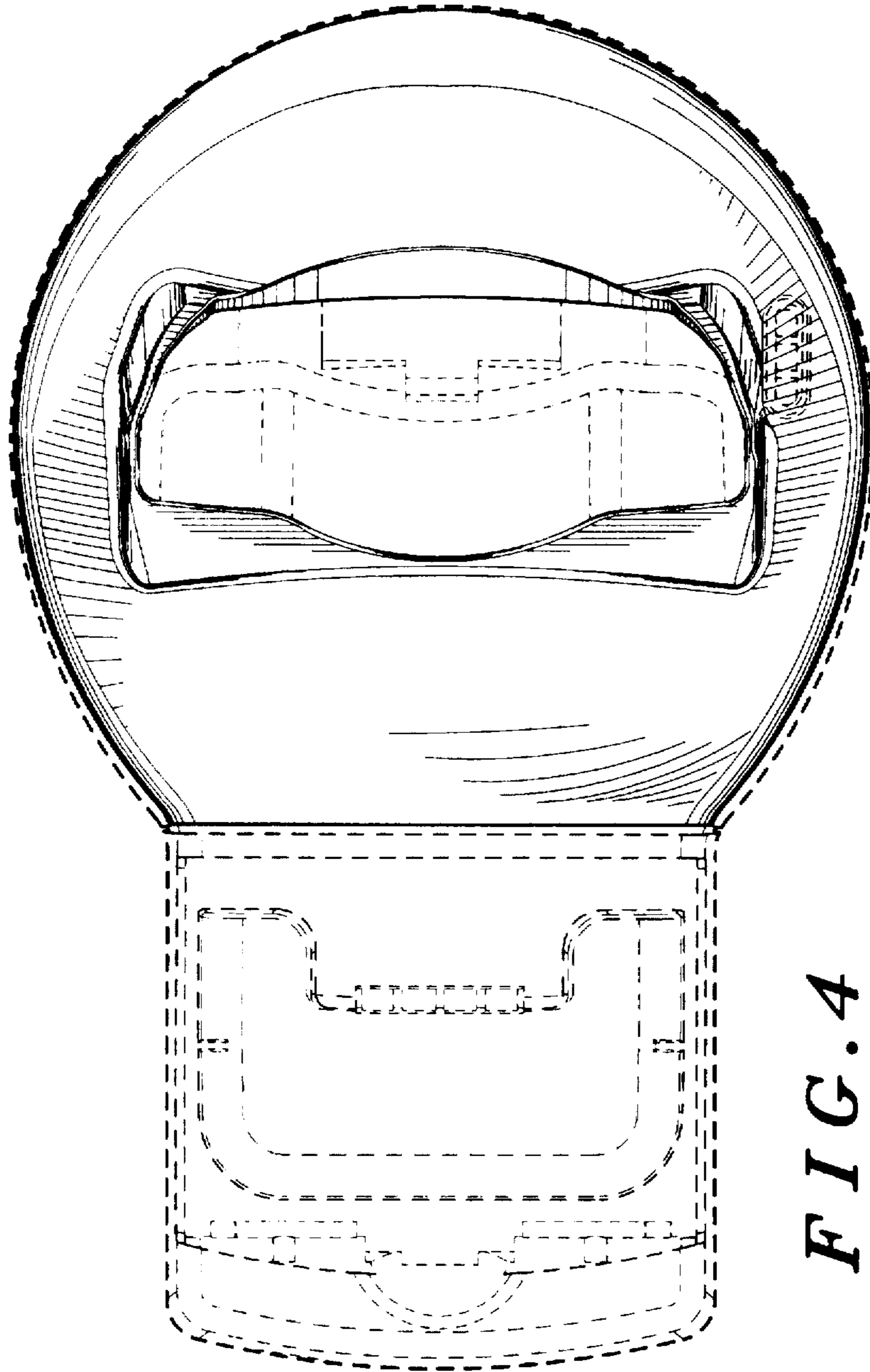


FIG. 1

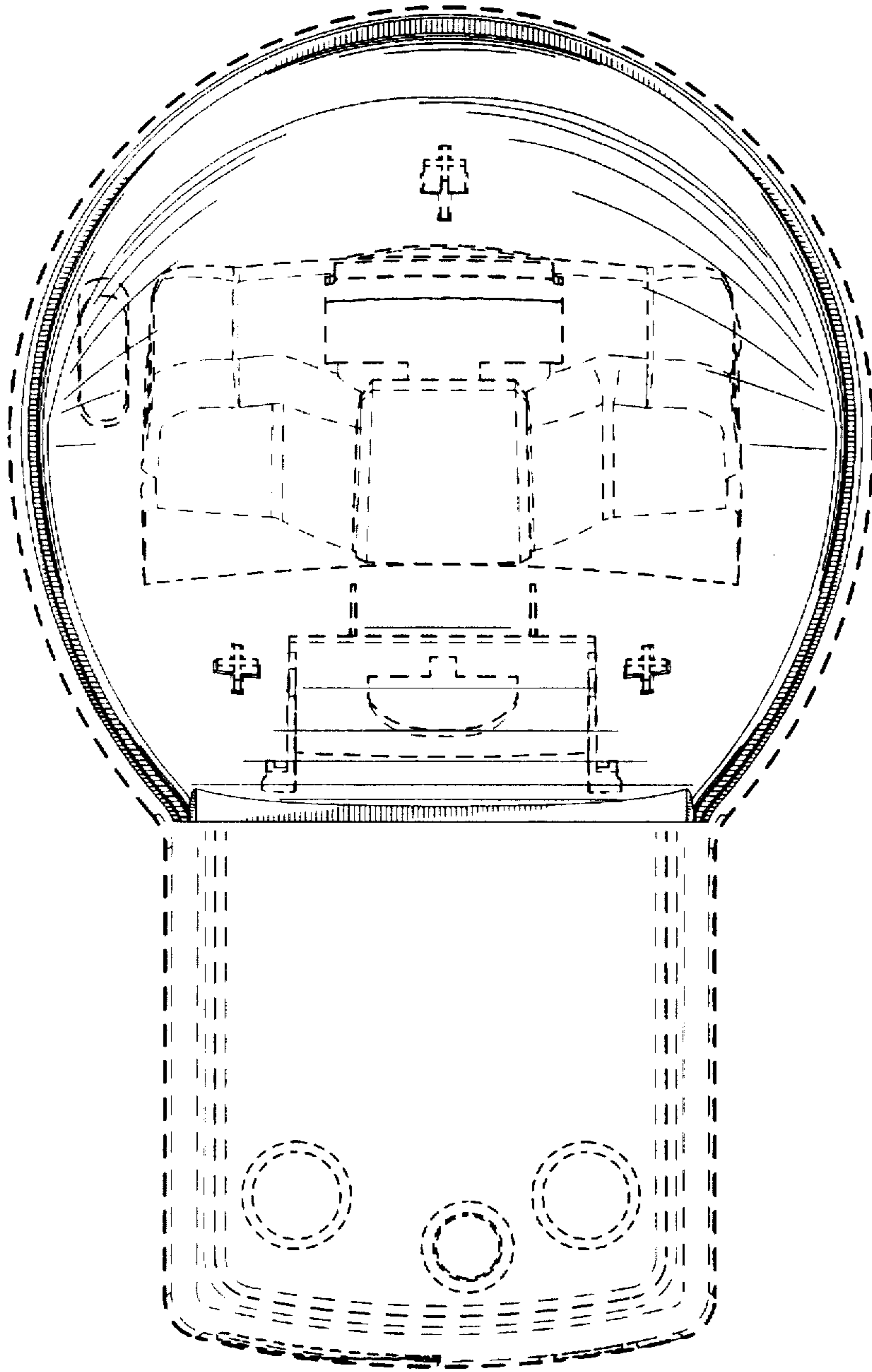
*FIG. 2*



*FIG. 3*



*FIG. 4*



*FIG. 5*