



US00D394424S

**United States Patent** [19]  
**Wachter**

[11] **Patent Number:** **Des. 394,424**  
[45] **Date of Patent:** **\*\*May 19, 1998**

[54] **SLANT TRANSFORMER HOUSING**  
[75] **Inventor:** Peter F. Wachter, Northfield, Ill.  
[73] **Assignee:** Juno Lighting, Inc., Des Plaines, Ill.  
[\*\*] **Term:** 14 Years  
[21] **Appl. No.:** 67,546  
[22] **Filed:** Mar. 11, 1997  
[51] **LOC (6) Cl.** ..... 13-02  
[52] **U.S. Cl.** ..... D13/110; D26/63; D26/140  
[58] **Field of Search** ..... D26/61, 63, 65;  
D13/110; 362/269, 275, 287, 418, 419,  
427; 361/674; 248/200, 214, 201, 323,  
324

[56] **References Cited**  
**U.S. PATENT DOCUMENTS**  
D. 316,909 5/1991 Paul et al. .... D26/63

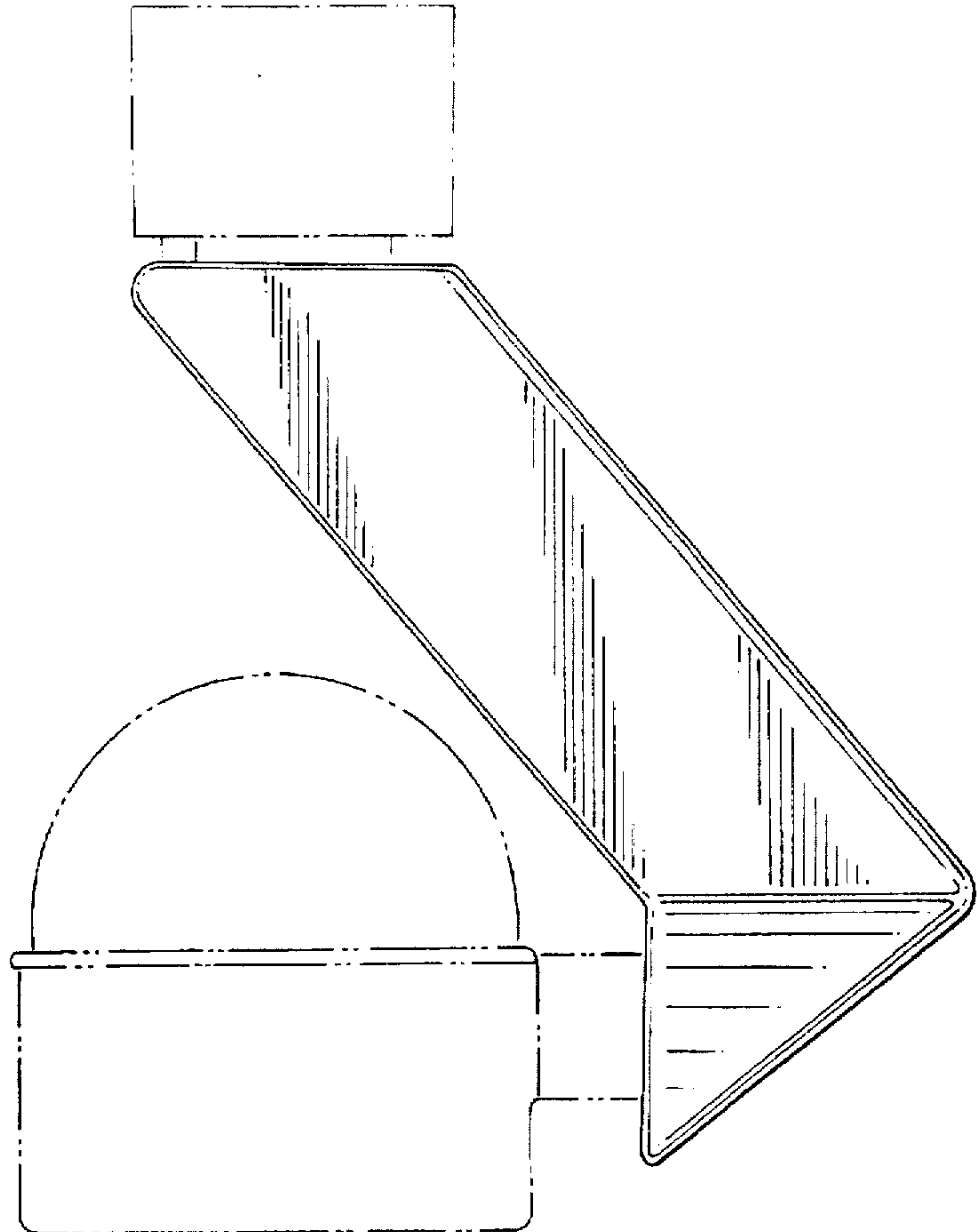
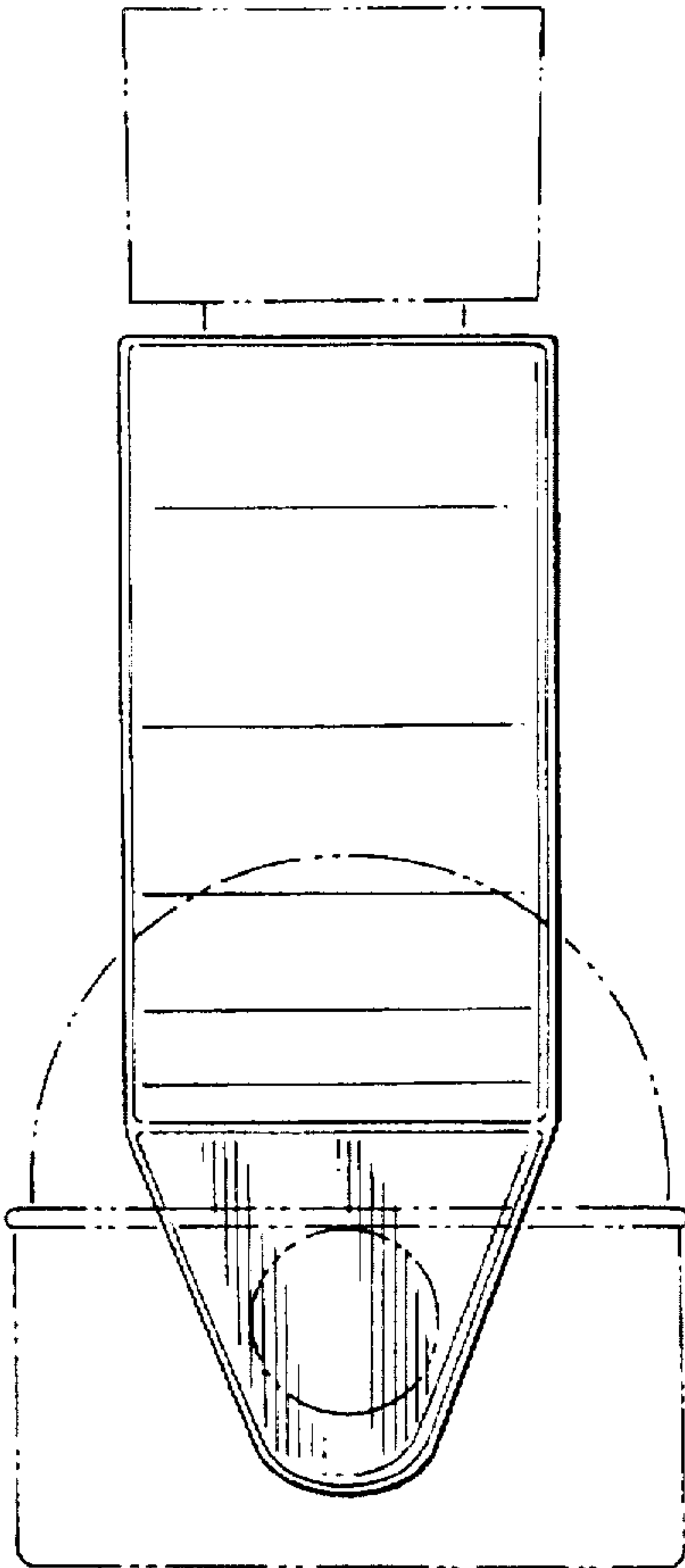
*Primary Examiner*—Susan J. Lucas  
*Attorney, Agent, or Firm*—Anthony S. Zummer

[57] **CLAIM**  
The ornamental design for a slant transformer housing, as shown and described.

**DESCRIPTION**

FIG. 1 is a front view of the slant transformer housing showing the new design;  
FIG. 2 is a rear view of the slant transformer housing shown in FIG. 1;  
FIG. 3 is a top plan view of the slant transformer housing shown in FIG. 1;  
FIG. 4 is a bottom plan view of the slant transformer housing shown in FIG. 1;  
FIG. 5 is a left side elevational view of the slant transformer housing shown in FIG. 1; and  
FIG. 6 is a right side elevational view of the slant transformer housing shown in FIG. 1.  
The track supporting housing and the lighting fixture connected to the slant transformer housing are shown in broken lines for illustrative purposes only and form no part of the claimed design.

**1 Claim, 3 Drawing Sheets**



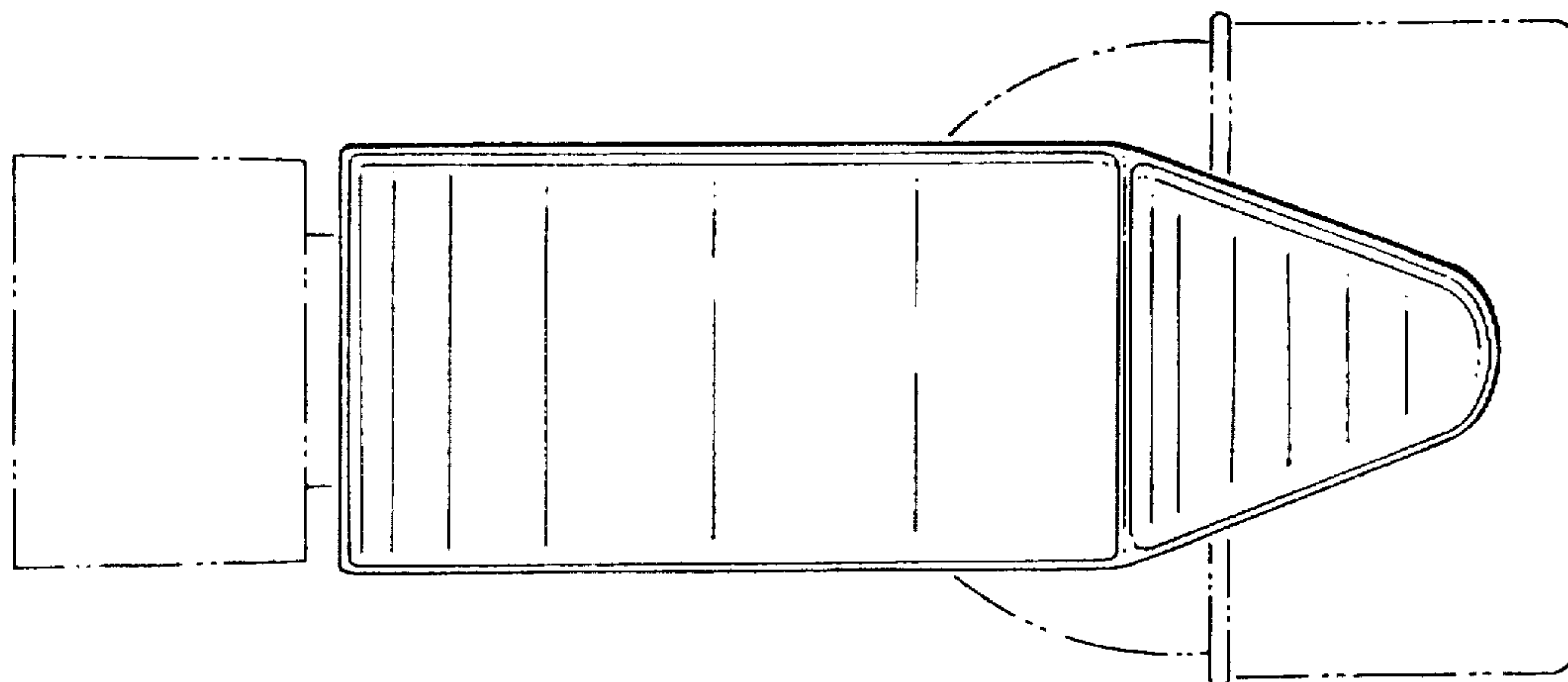


FIG. 2

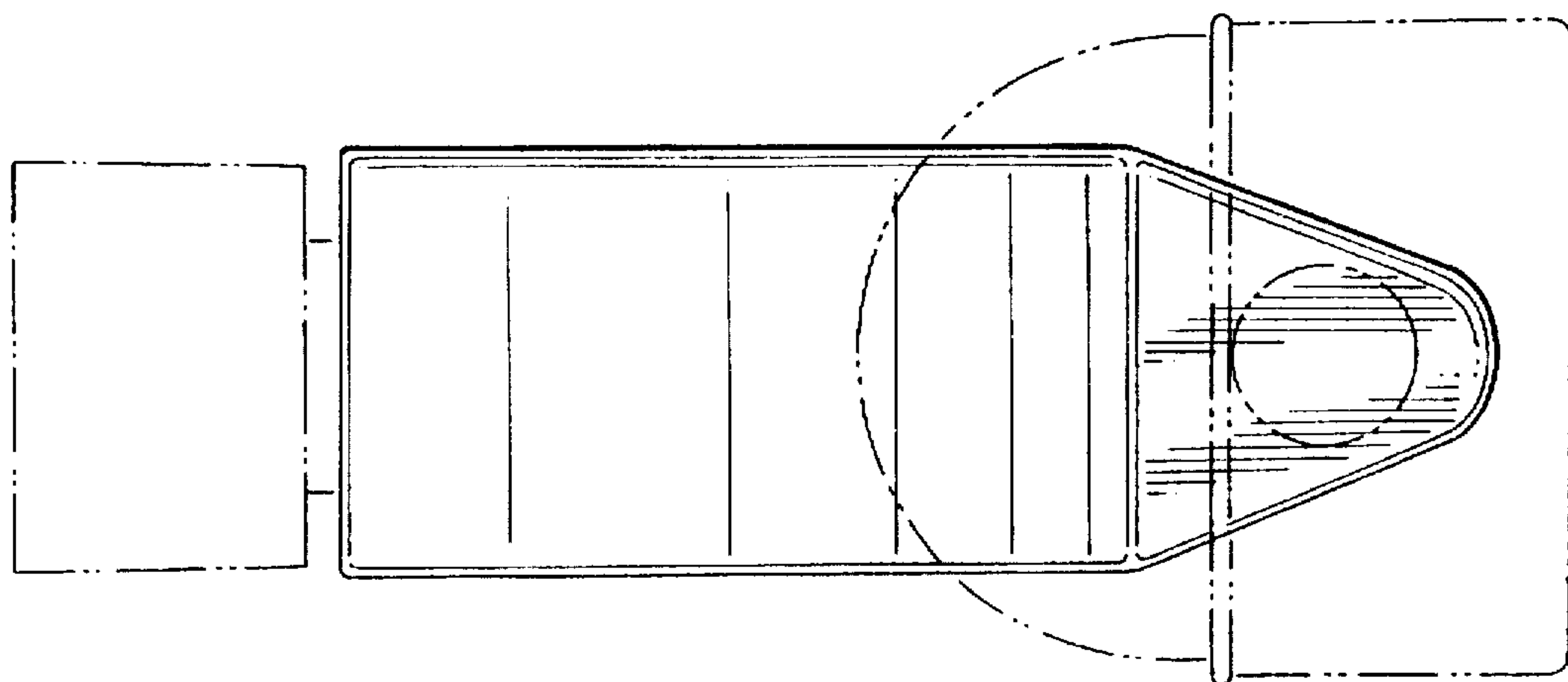


FIG. 1

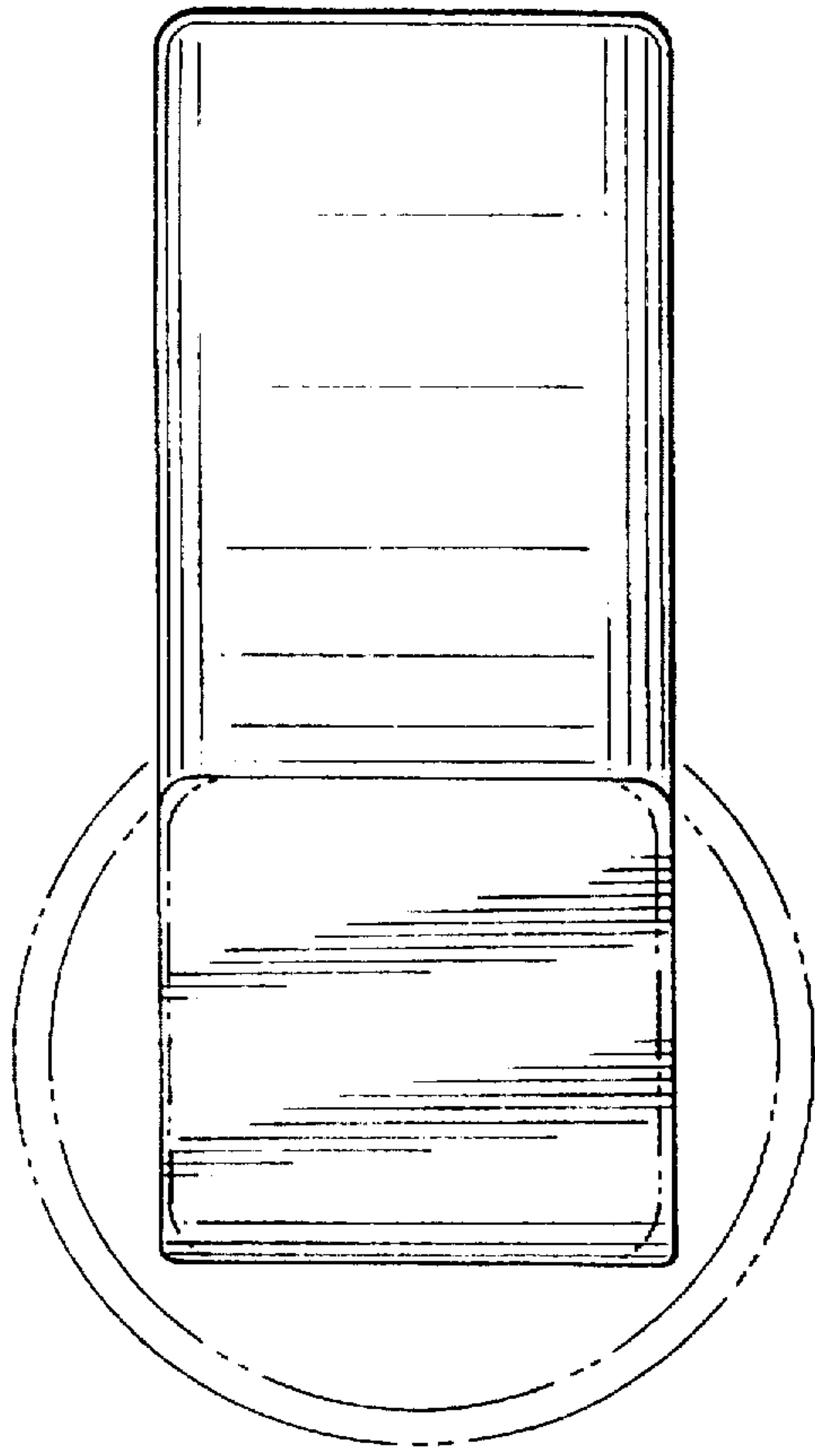


FIG. 3

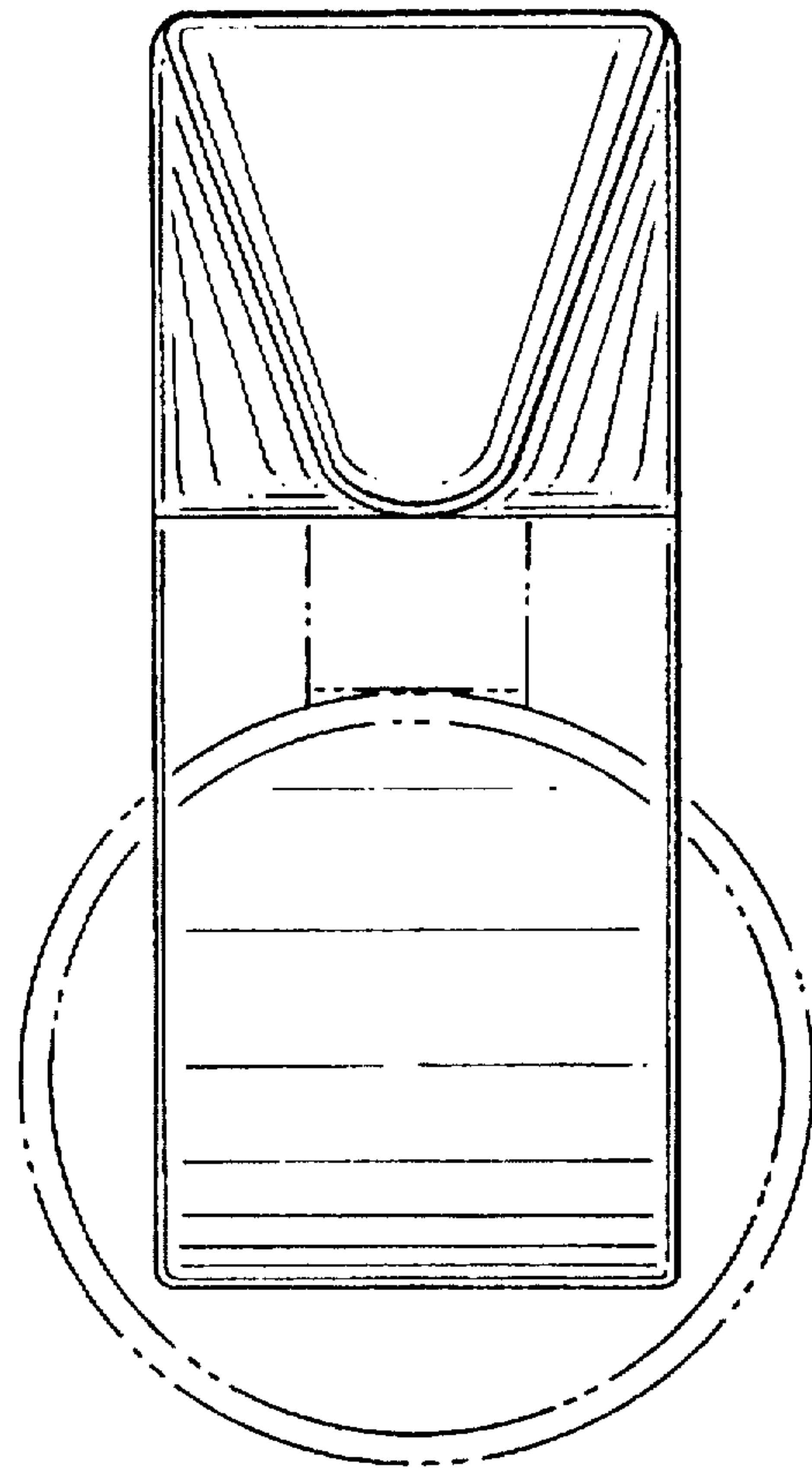


FIG. 4

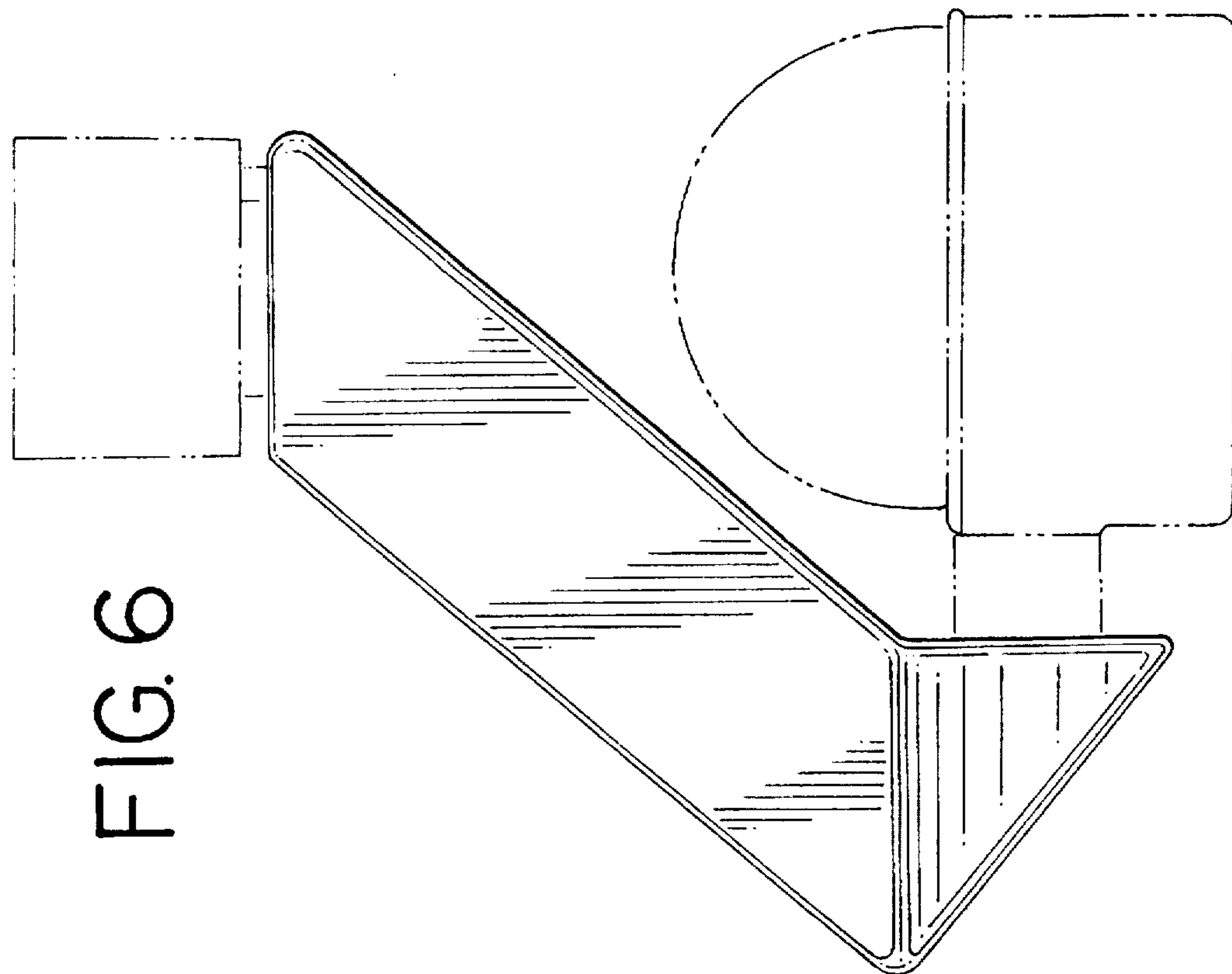


FIG. 6

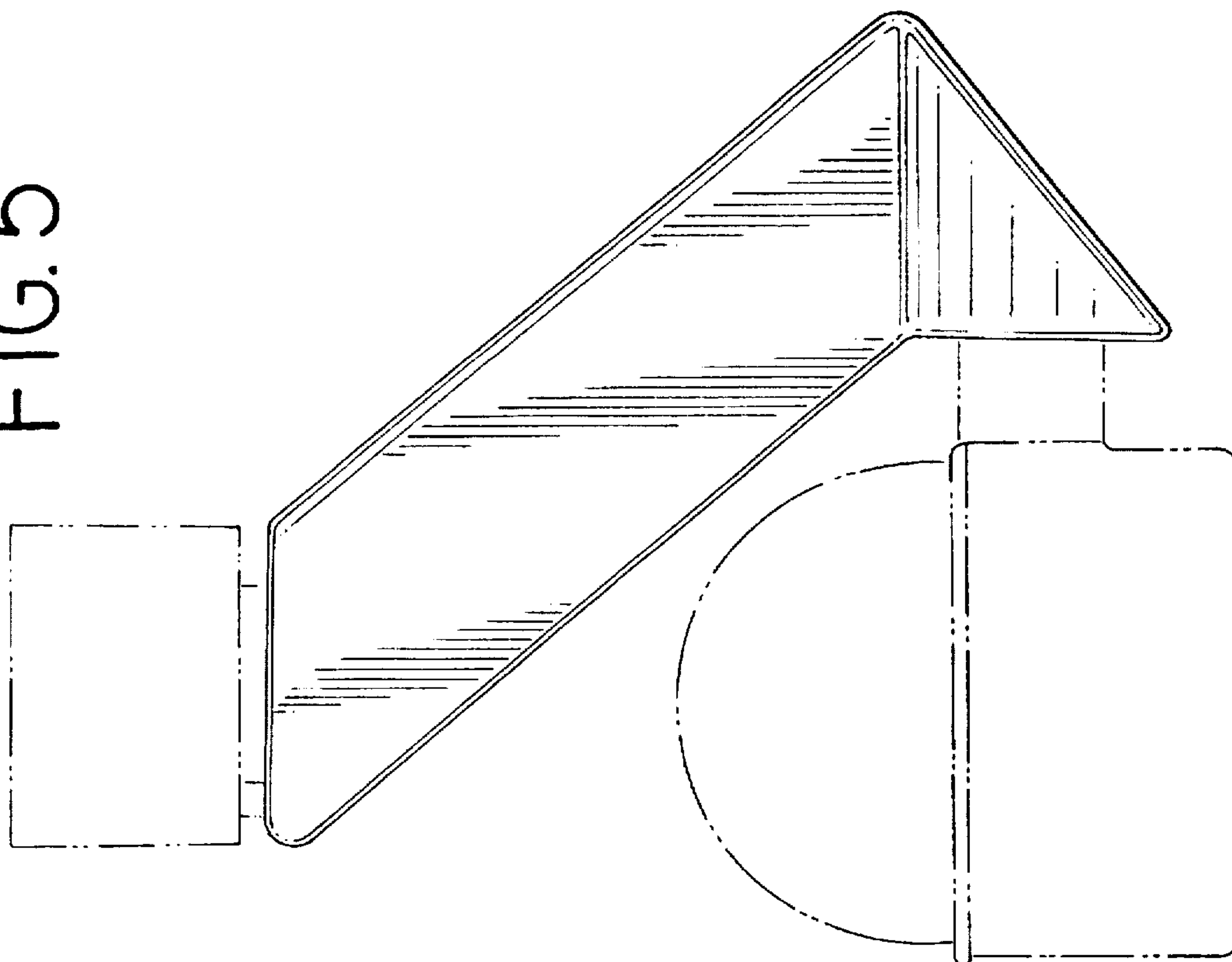


FIG. 5