



US00D394421S

United States Patent [19]

Horstmann

[11] Patent Number: **Des. 394,421**

[45] Date of Patent: ****May 19, 1998**

[54] **GOOSENECK HITCH AND BALL PLATE ASSEMBLY**

5,246,244	9/1993	Colibert	280/495
5,435,585	7/1995	Chambers	280/415.1
5,472,222	12/1995	Marcy	280/433

[76] Inventor: **Wayne B. Horstmann**, Rte. 3 Box 152, Owensville, Mo. 65066

Primary Examiner—James Gandy
Assistant Examiner—Stacia Sinuik

[**] Term: **14 Years**

[57] **CLAIM**

[21] Appl. No.: **68,871**

The ornamental design for a gooseneck hitch and ball plate assembly, as shown.

[22] Filed: **Apr. 3, 1997**

DESCRIPTION

[51] LOC (6) Cl. **12-16**

[52] U.S. Cl. **D12/162**

[58] **Field of Search** D12/162; 280/417.1, 280/423.1, 424, 511, 493, 494, 495, 491.2, 491.3, 414.1, 414.2, 479.2, 415.1, 432, 441.2, 504, 433

FIG. 1 is a front plan view of the gooseneck hitch & ball plate assembly of the present invention;
 FIG. 2 is a back plan view of the gooseneck hitch & ball plate assembly of FIG. 1;
 FIG. 3 is a left side plan view of the gooseneck hitch & ball plate assembly of FIG. 1;
 FIG. 4 is a right side plan view of the gooseneck hitch & ball plate assembly of FIG. 1;
 FIG. 5 is a top plan view of the gooseneck hitch & ball plate assembly of FIG. 1; and
 FIG. 6 is a bottom plan view of the gooseneck hitch & ball plate assembly of FIG. 1.

[56] References Cited

U.S. PATENT DOCUMENTS

D. 317,426	6/1991	Lytle	D12/162
D. 331,558	12/1992	Hayes, Jr.	D12/162
D. 376,780	12/1996	McCoy	D12/162
4,134,602	1/1979	Boger	280/415.1 X
4,256,324	3/1981	Hamilton	280/433

1 Claim, 3 Drawing Sheets

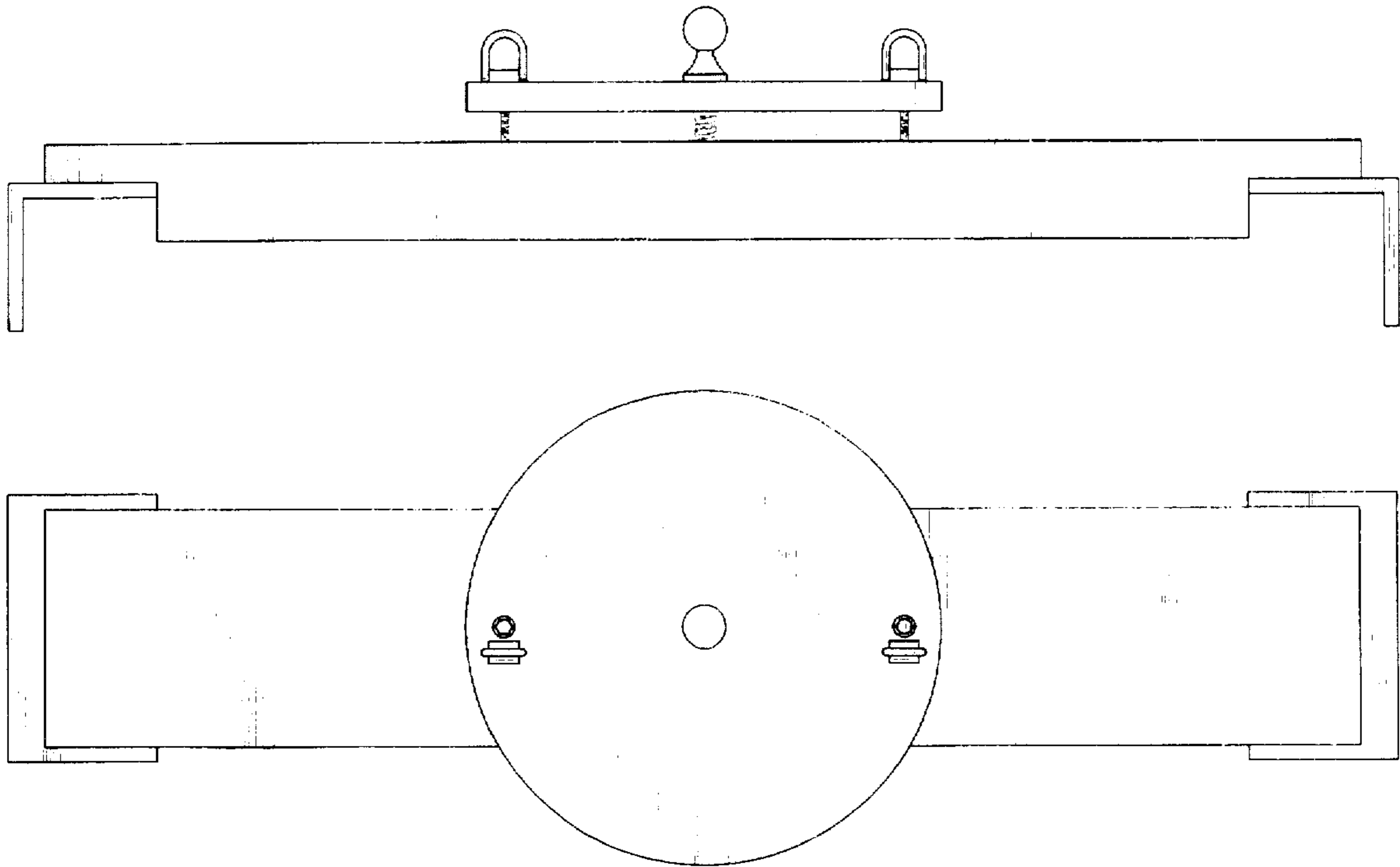


FIG. 1

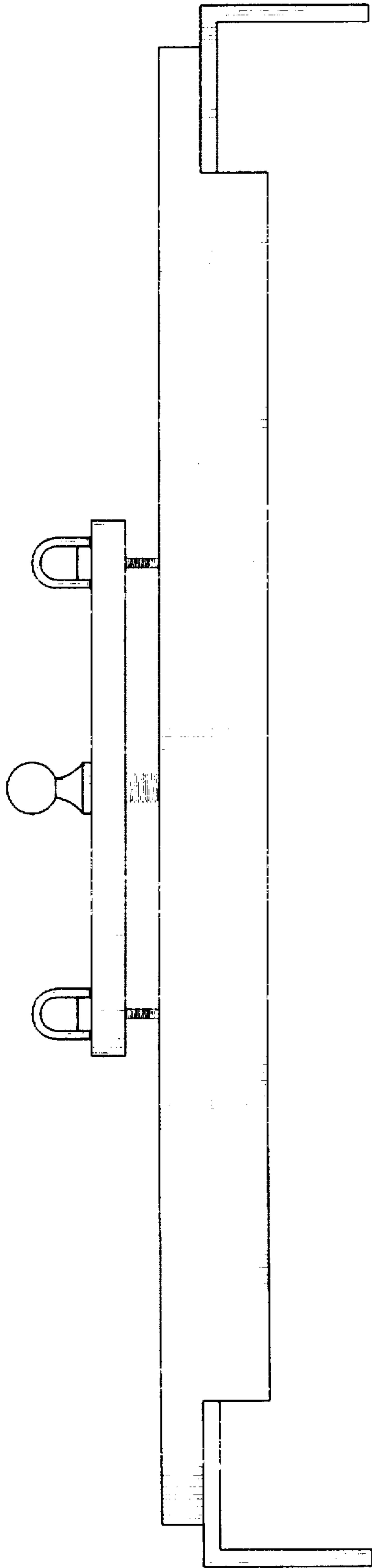


FIG. 2

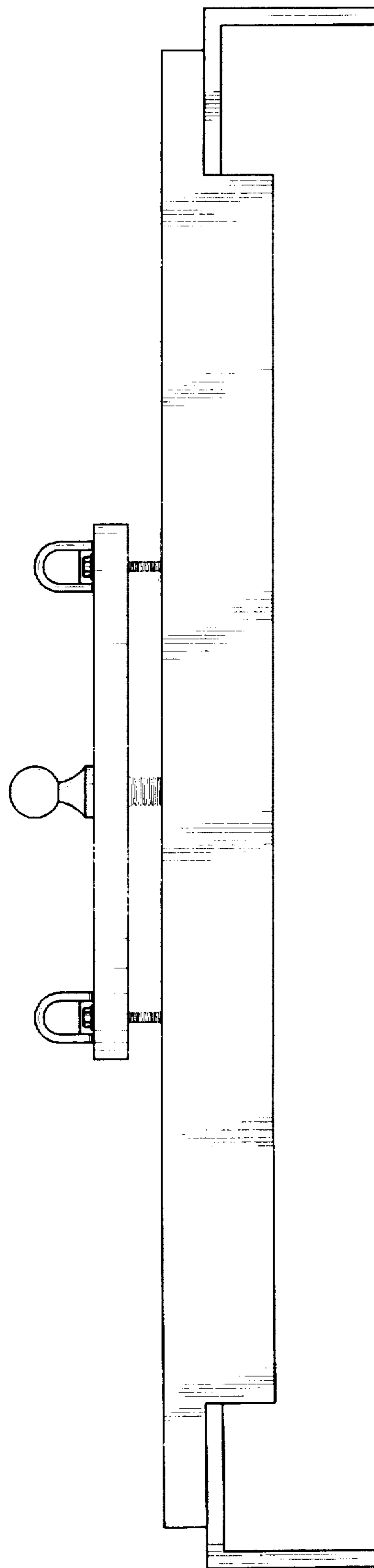


FIG. 3

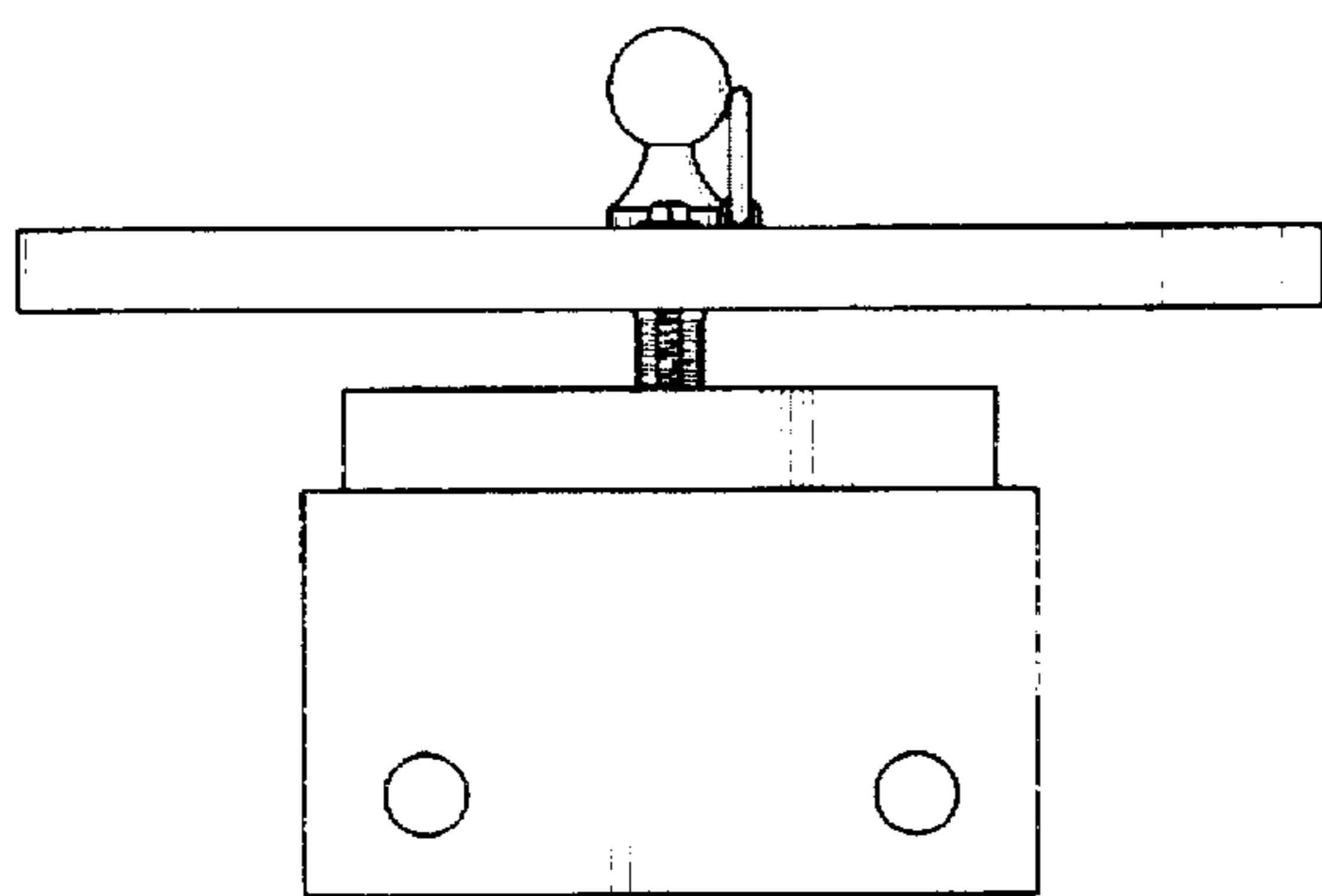


FIG. 4

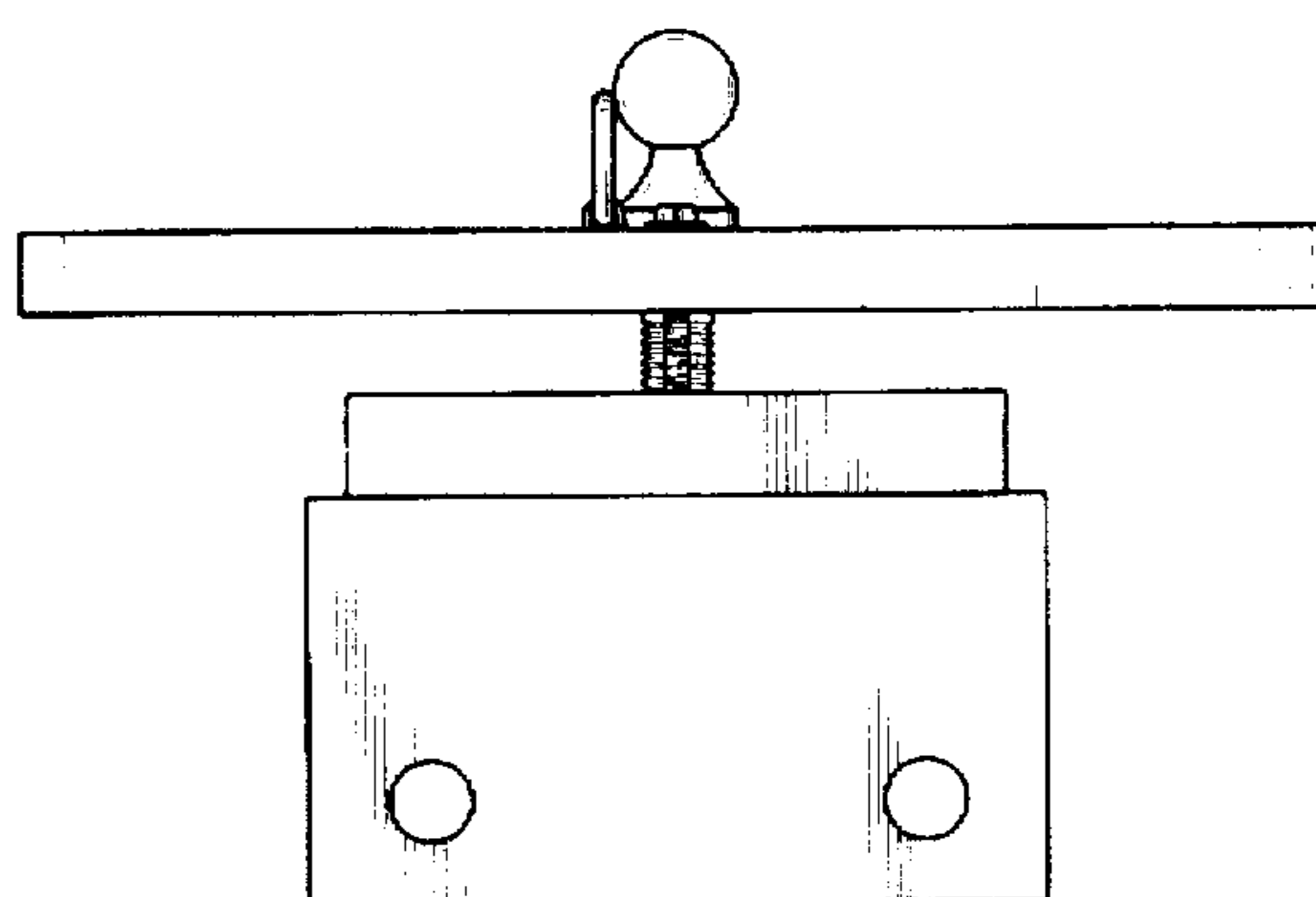


FIG. 5

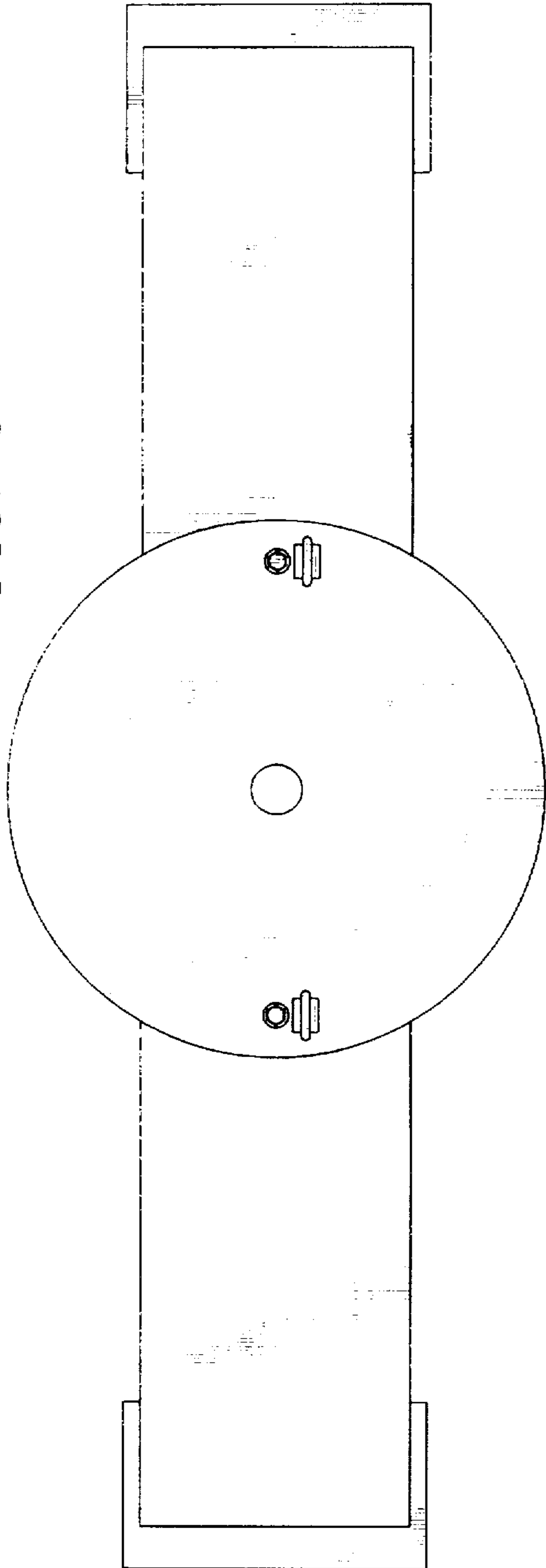


FIG. 6

