



US00D394420S

United States Patent [19]
Forbes-Robinson

[11] **Patent Number: Des. 394,420**
[45] **Date of Patent: **May 19, 1998**

[54] **AUTOMOBILE BODY**

[75] **Inventor: Elliott Forbes-Robinson, Sherrills Ford, N.C.**

[73] **Assignee: 600 Racing, Inc., Concord, N.C.**

[**] **Term: 14 Years**

[21] **Appl. No.: 68,670**

[22] **Filed: Mar. 18, 1997**

[51] **LOC (6) Cl. 12-08**

[52] **U.S. Cl. D12/92**

[58] **Field of Search D12/86, 90-92;
296/185**

[56] **References Cited**

U.S. PATENT DOCUMENTS

D. 353,564	12/1994	Verduyn et al.	D12/92
D. 355,397	2/1995	Verduyn et al.	D12/92
D. 381,937	8/1997	Forbes-Robinson	D12/92
1,992,496	2/1935	Marmon et al.	296/185 X
2,028,184	1/1936	Bergholt	296/185

OTHER PUBLICATIONS

Chevrolet Chronical, A Pictorial History From 1904 (1991), pp. 72, 72 & 73.

Ford, The Complete History (1990, pp. 122, 124 & 125.

1937 Ford Coupe, Daytona International Speedway, Daytona, Florida, Feb. 1993.

1937 Ford Sedan, Charlotte Motor Speedway, Charlotte, North Carolina, Mar. 1993.

1937 Chevy Coupe, Charlotte Motor Speedway, Charlotte, North Carolina, Apr. 1993.

Hot Rod, 1938 Chevy Sedan, Nov., 1985, pp. 53 (copy reproduced as provided by the PTO in prior application).
Car & Driver Race Cars, Aug. 1992, pp. 150, 152 & 154.
Hot Rod, Oct. 1984, p. 91.
Hot Rod, Nov. 1985, p. 19.
Complete Encyclopedia of Motor Cars, 1939 Mercury Sedan, 1885-68, p. 382.
Hot Rod, 1938 Chevy Coupe, Sep. 1985, pp. 82-83.
Hot Rod, 1937 Ford Coupe, Sep., 1991, p. 53.
Hot Rod, 1939 Ford Coupe, Jul. 1986, p. 75.
Hot Rod, 1937 Ford Coupe, Oct. 1983, p. 29.

Primary Examiner—Melody N. Brown
Attorney, Agent, or Firm—Bell Seltzer Intellectual Property Law Group of Alston & Bird LLP

[57] **CLAIM**

The ornamental design for an automobile body, as shown and described.

DESCRIPTION

FIG. 1 is a front perspective view of an automobile body showing our new design;

FIG. 2 is a right side elevational view thereof;

FIG. 3 is a top plan view thereof;

FIG. 4 is a left side elevational view thereof;

FIG. 5 is a front elevational view thereof;

FIG. 6 is a rear elevational view thereof; and,

FIG. 7 is a rear perspective view thereof.

The wheels shown in broken lines in all views of the drawing are for illustrative purposes only and form no part of the claimed design.

1 Claim, 2 Drawing Sheets

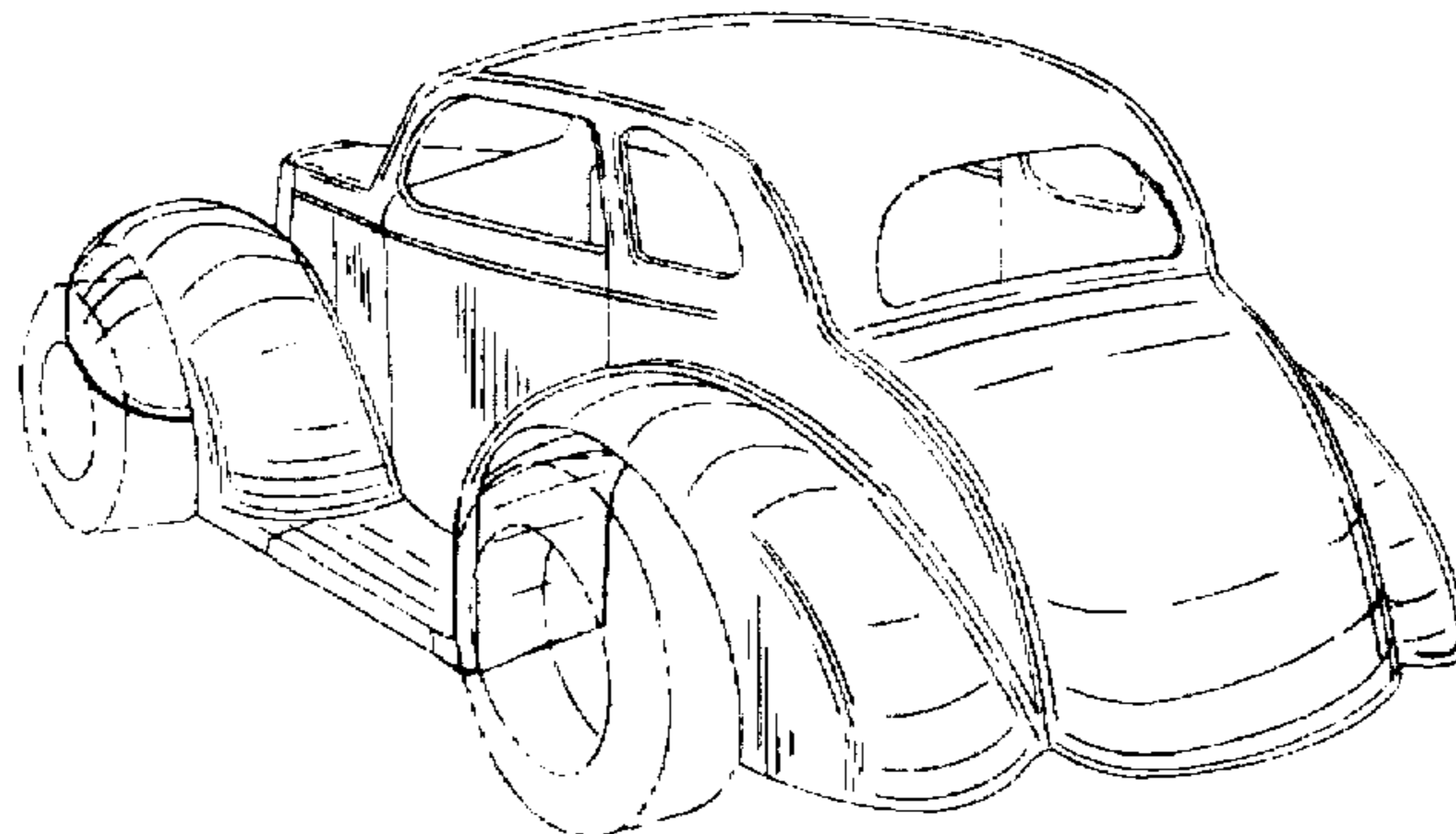
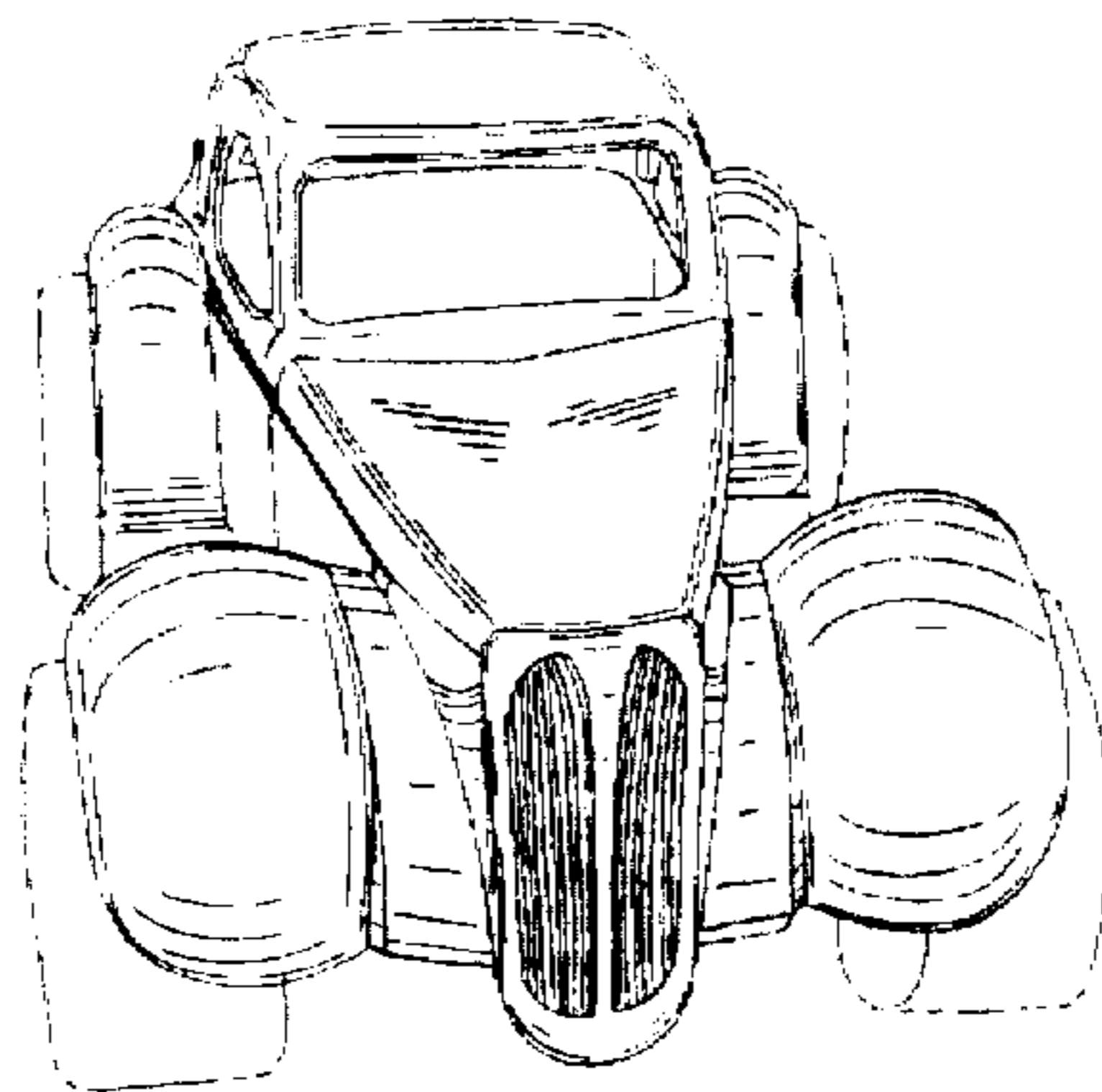


FIG. 1.

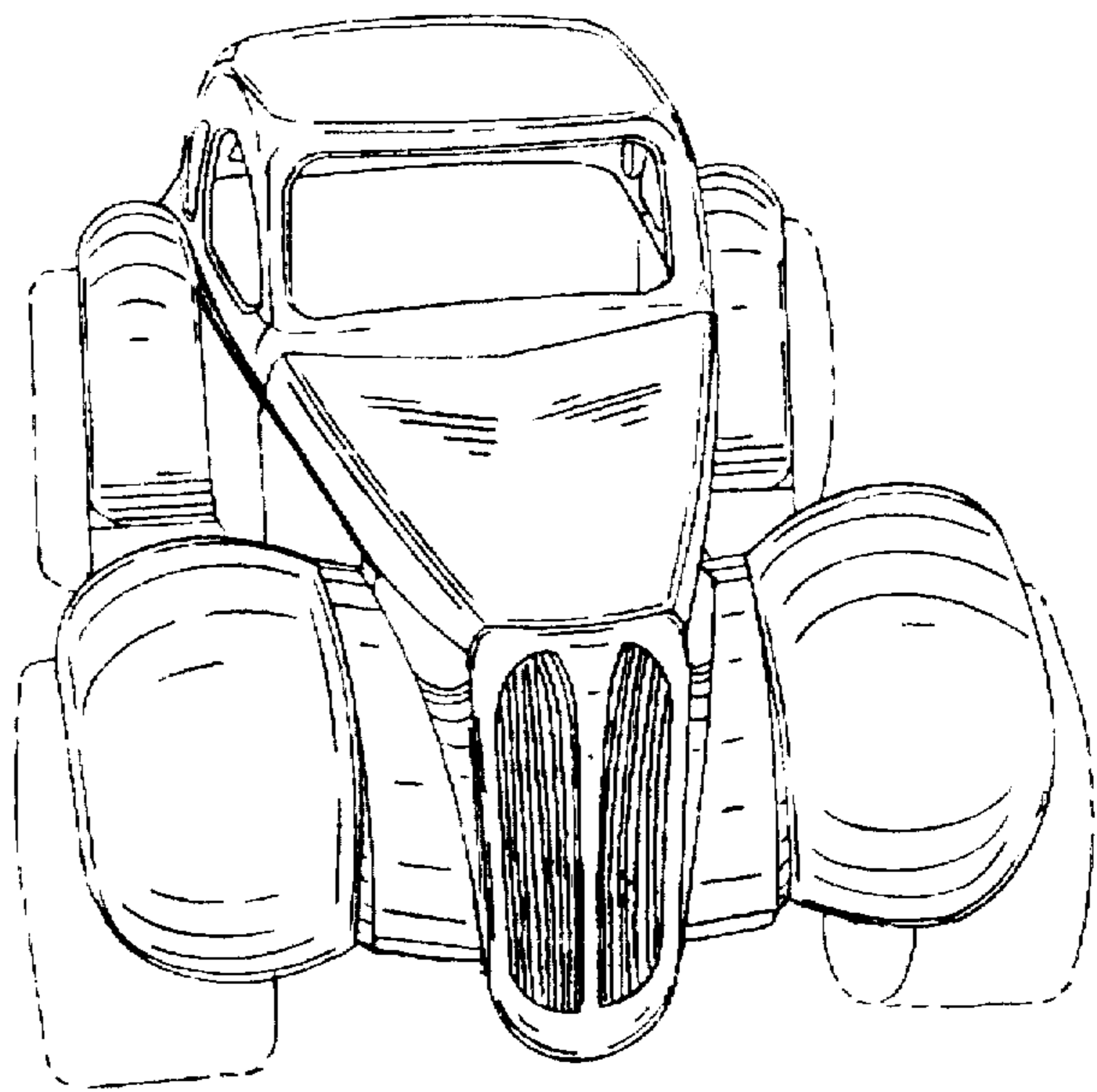


FIG. 2.

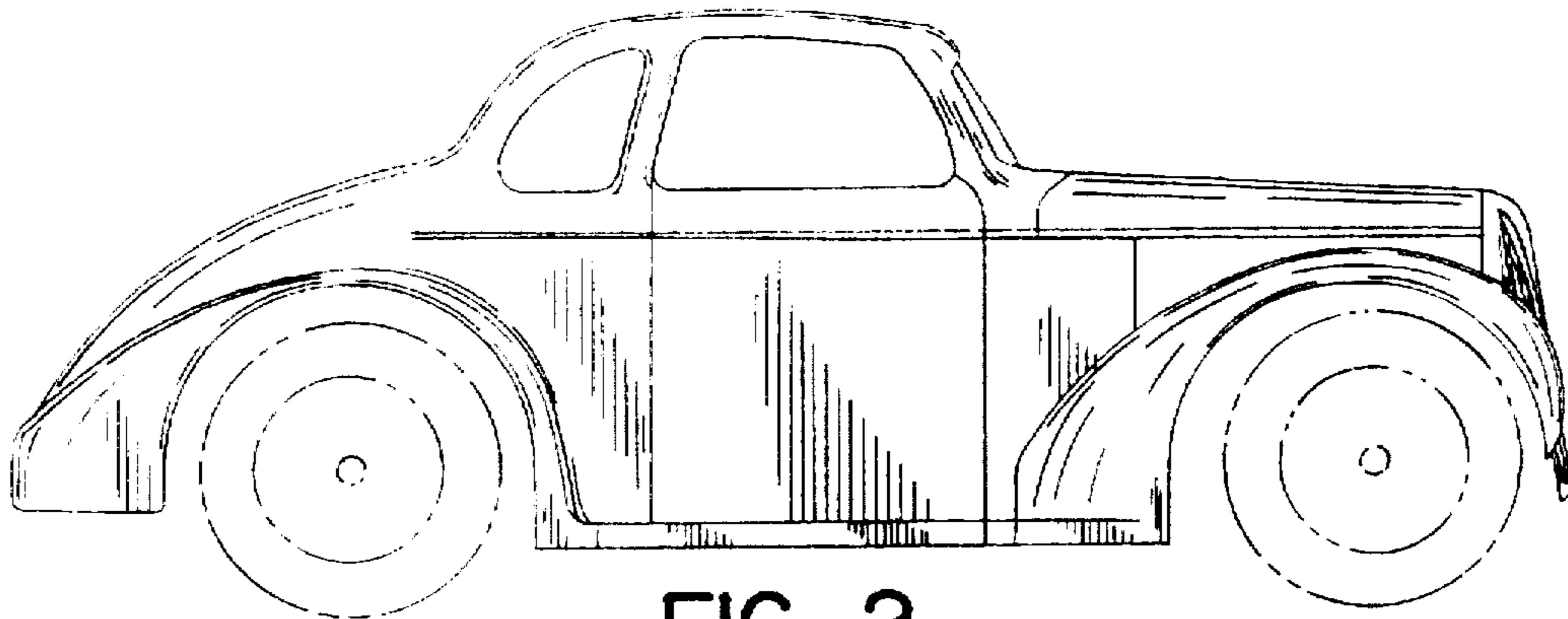
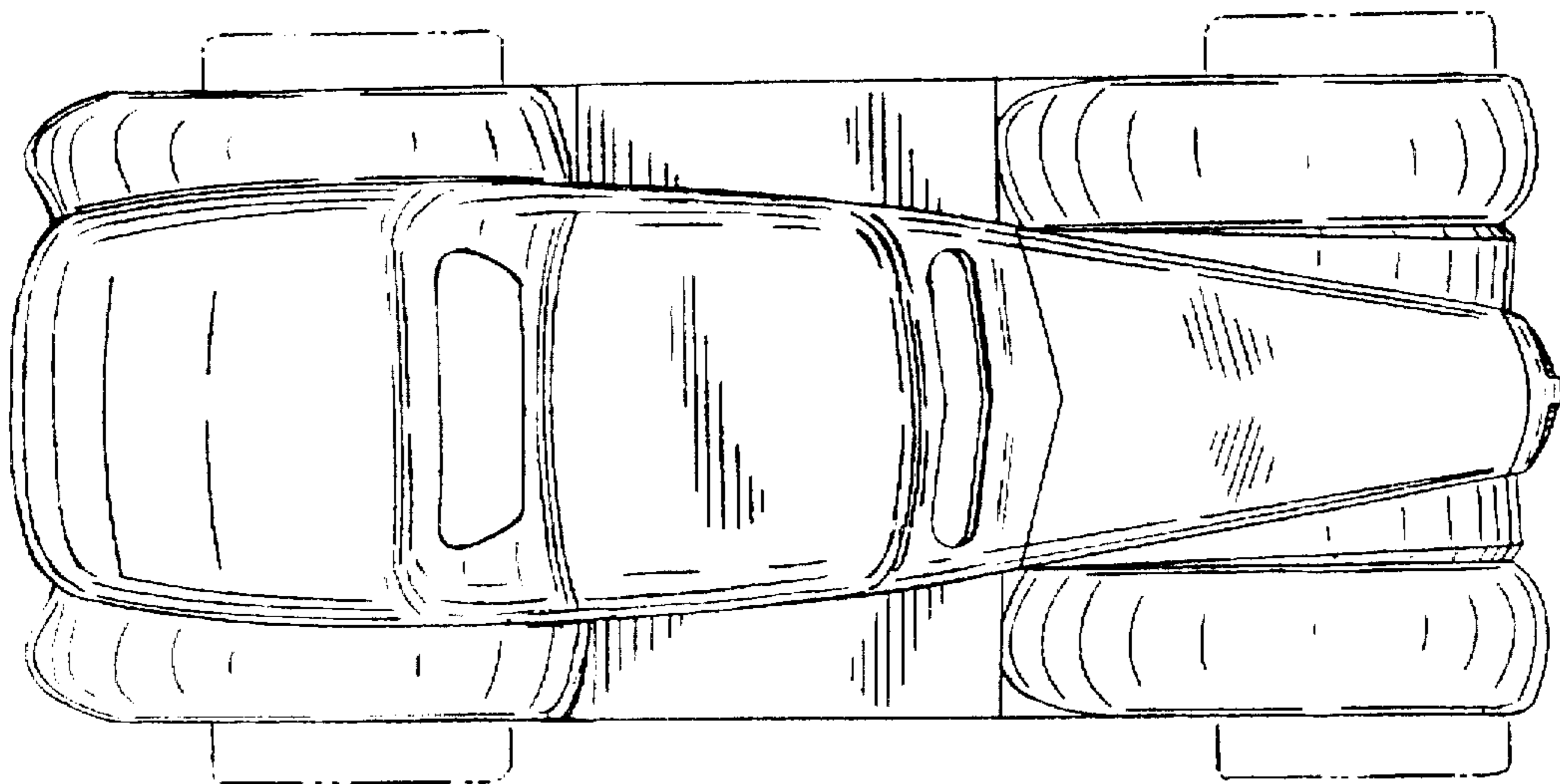


FIG. 3.



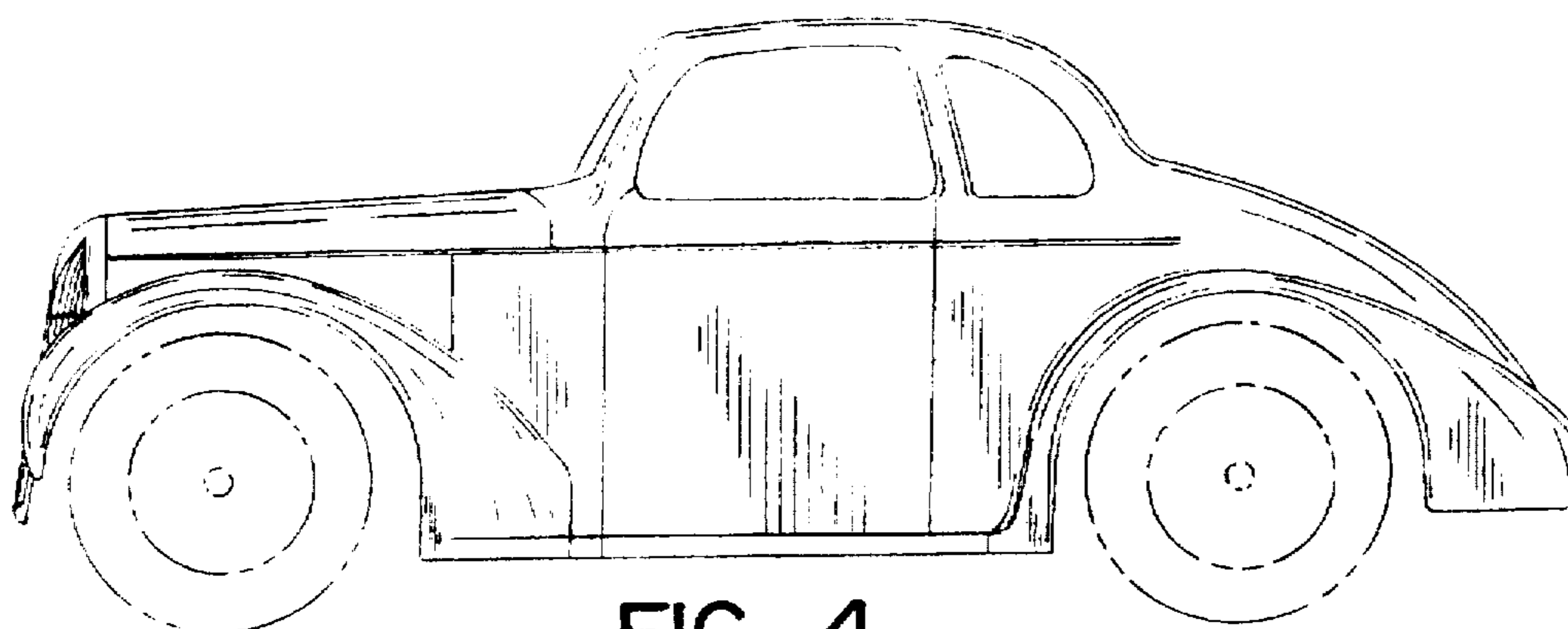


FIG. 4.

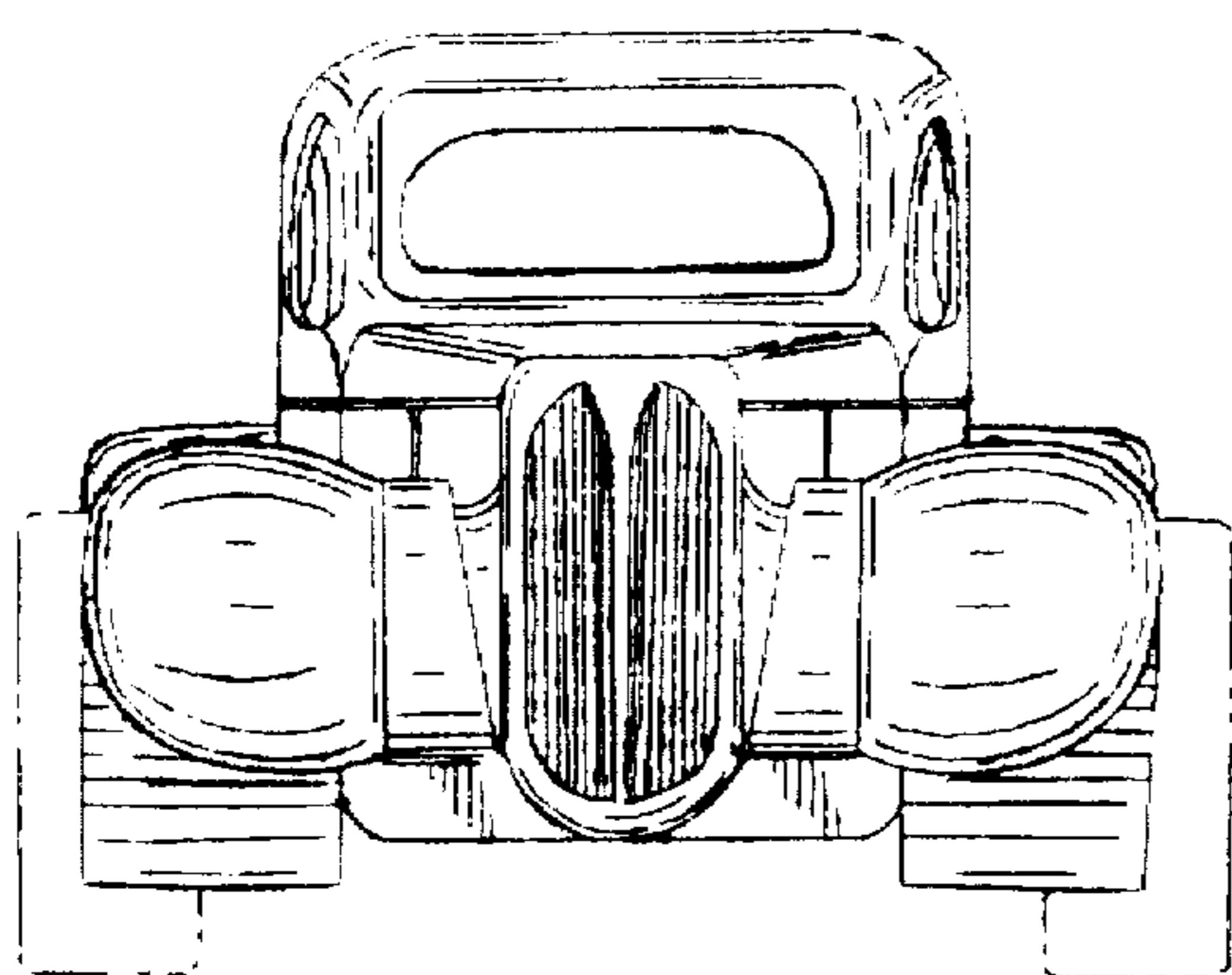


FIG. 5.

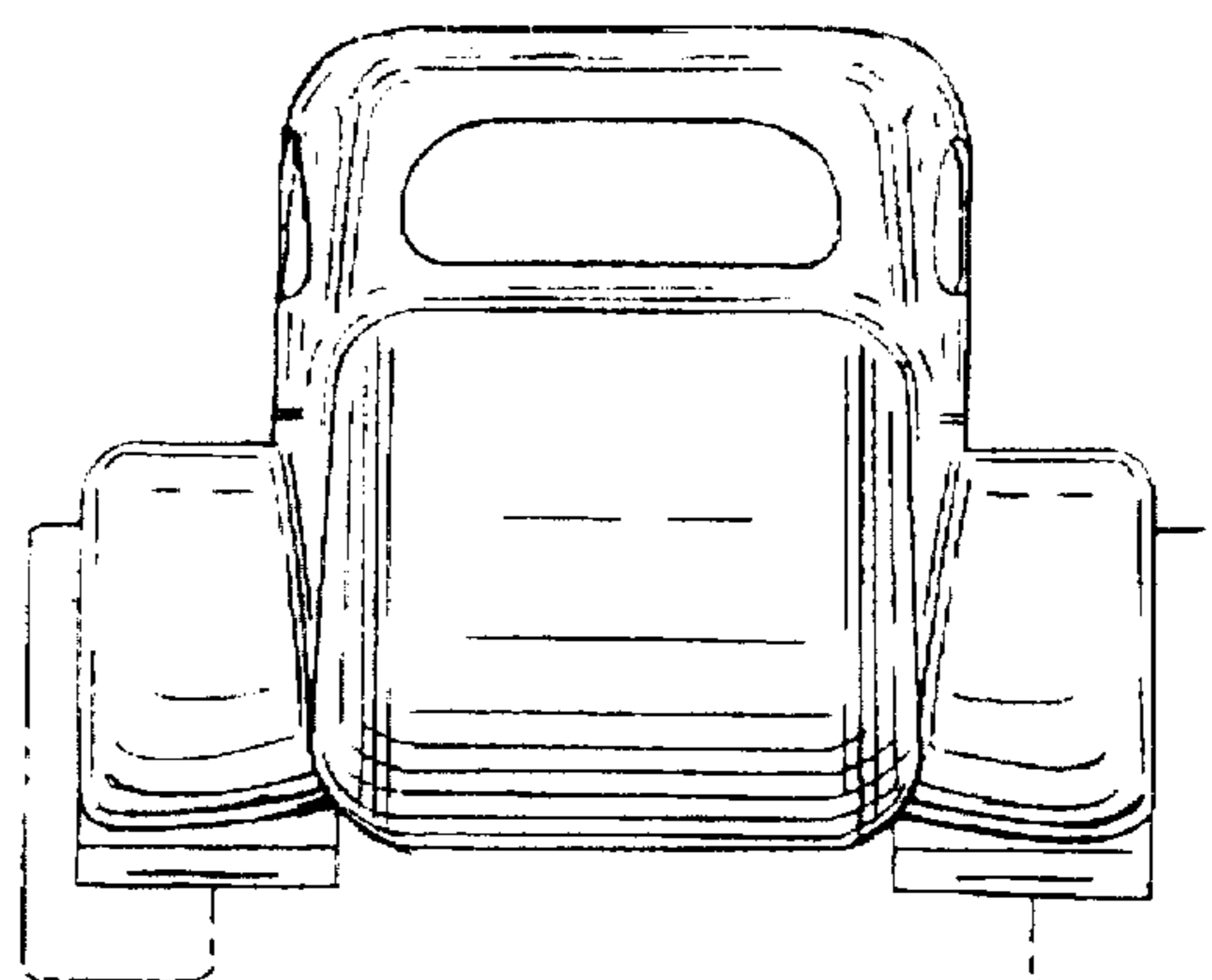


FIG. 6.

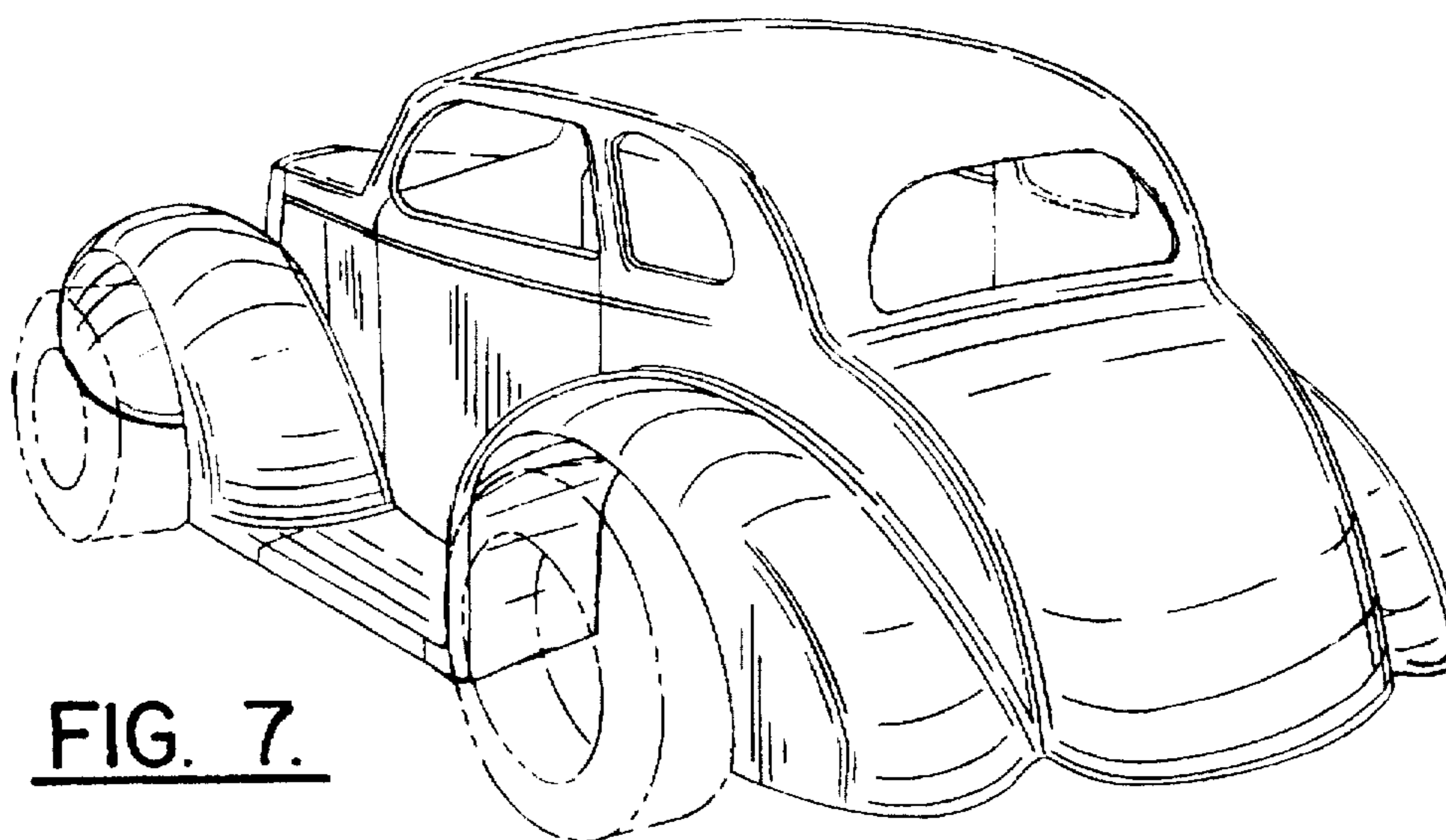


FIG. 7.