



US00D394419S

United States Patent [19]

[11] Patent Number: Des. 394,419

István

[45] Date of Patent: **May 19, 1998

[54] **COMBINED HAND-HOLD AND ADVERTISING DISPLAY FOR PUBLIC VEHICLES**

3,931,770 1/1976 Tantlinger 105/354

[76] Inventor: **Kasziba István**, H-2085 Béke u. 28
Pilisvörösvár, Budapest, Hungary

Primary Examiner—Doris V. Coles
Assistant Examiner—Catherine R. Oliver
Attorney, Agent, or Firm—Fitch, Even, Tabin & Flannery

[**] Term: **14 Years**

[57] **CLAIM**

[21] Appl. No.: **53,569**

The ornamental design of the combined hand-hold and advertising display for public vehicles, as shown and described.

[22] Filed: **Apr. 25, 1996**

DESCRIPTION

[51] **LOC (6) Cl.** **12-03**

FIG. 1 is a front elevational view of the combined hand-hold and advertising display for public vehicles, showing my new design;

[52] **U.S. Cl.** **D12/42; D12/400**

FIG. 2 is a right side elevational view thereof;

[58] **Field of Search** **D12/400, 42; D3/328,**

FIG. 3 is a rear elevational view thereof;

D3/315; D8/300, 303, 313, 315, 317, 318,

FIG. 4 is a left side elevational view thereof;

372, 373; 294/137, 166; 105/354

FIG. 5 is a bottom plan view thereof;

[56] **References Cited**

FIG. 6 is a top plan view thereof; and,

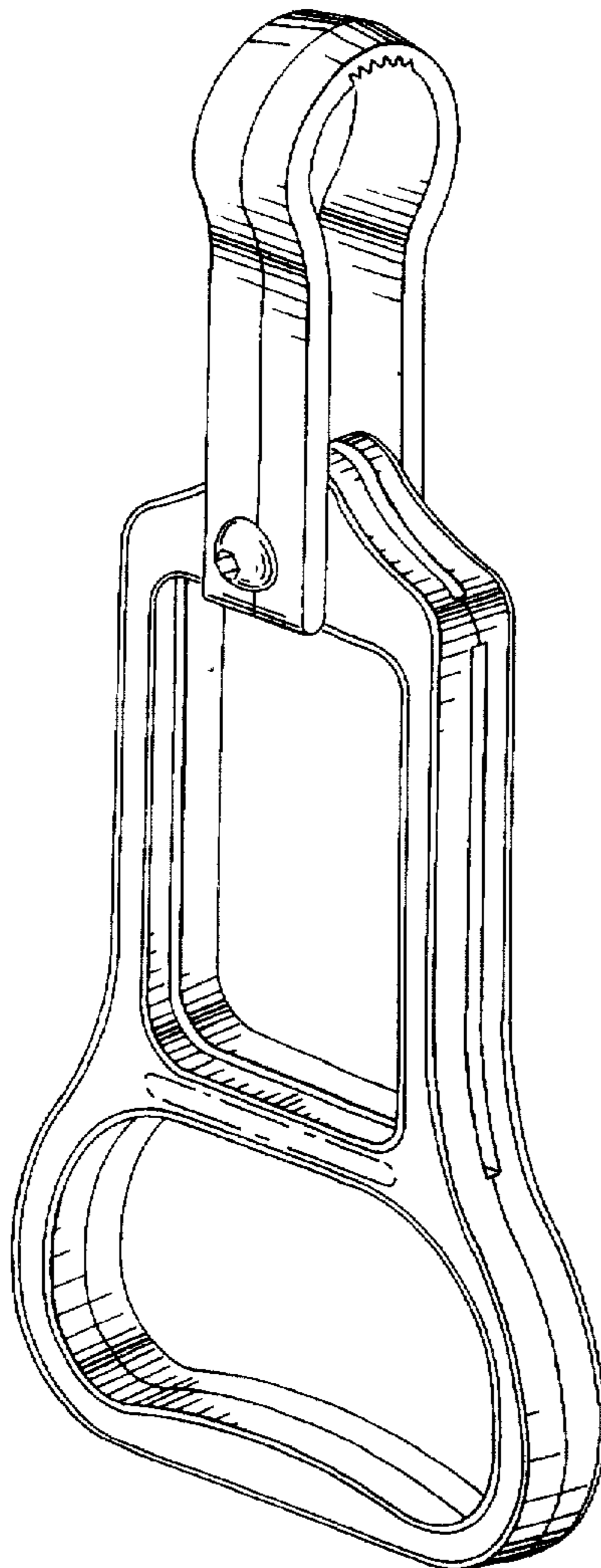
U.S. PATENT DOCUMENTS

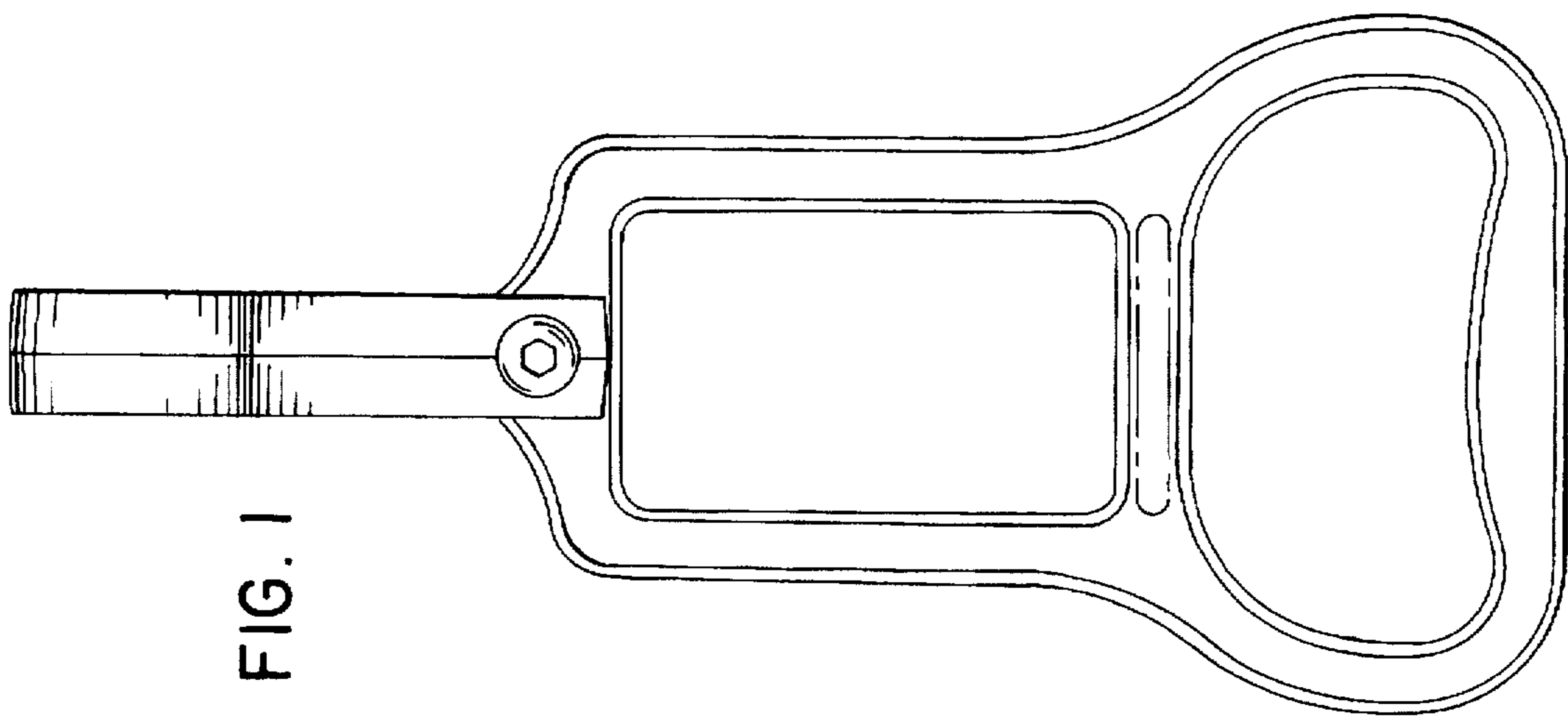
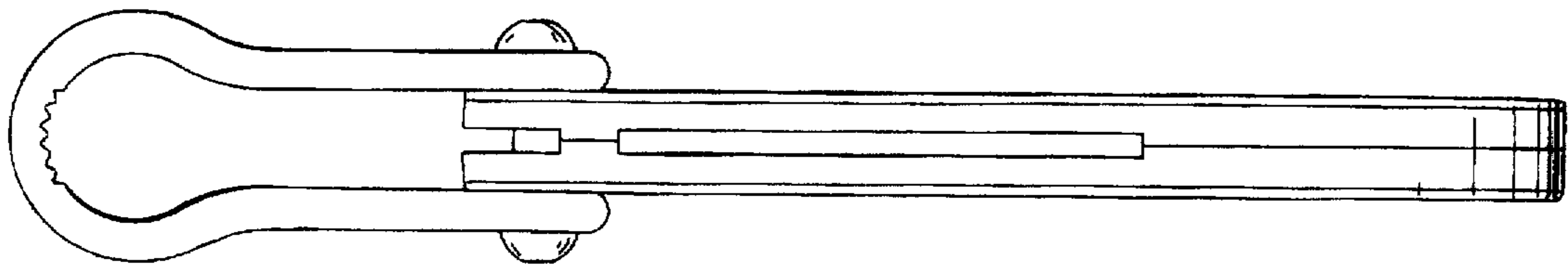
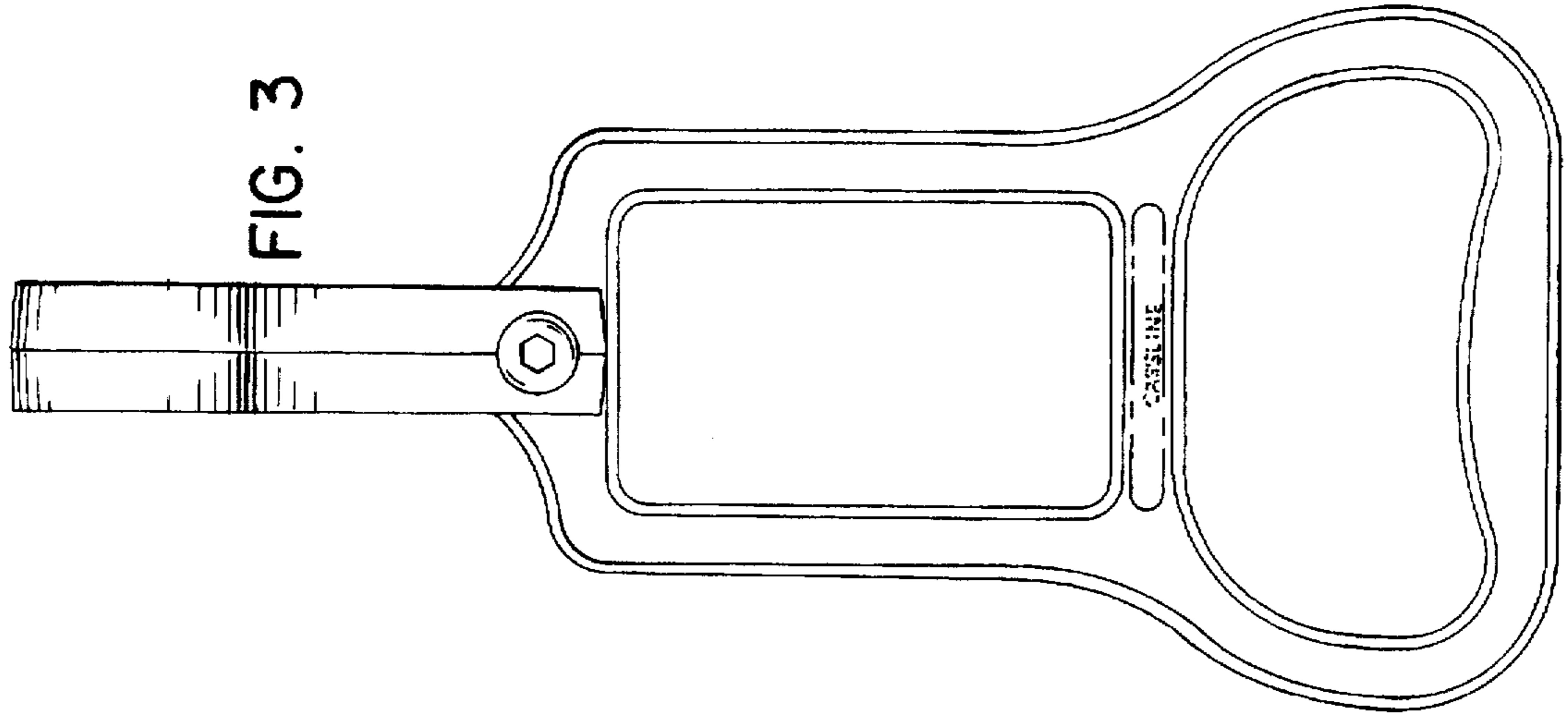
FIG. 7 is a perspective view thereof.

860,777	7/1907	Wentworth	105/354
2,130,283	9/1938	Lewis	D12/42
2,500,415	3/1950	Johnson	105/354
2,688,288	9/1954	Harris	105/354
3,521,571	7/1970	Roselius	105/354

The trademark cassline in FIG. 3 has been shown in broken lines and is disclaimed in that the trademark is not claimed as part of the claimed design.

1 Claim, 3 Drawing Sheets





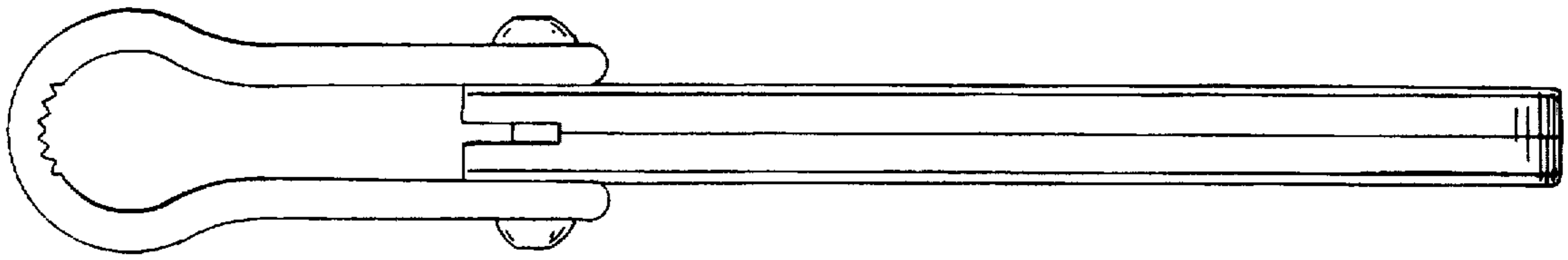


FIG. 4

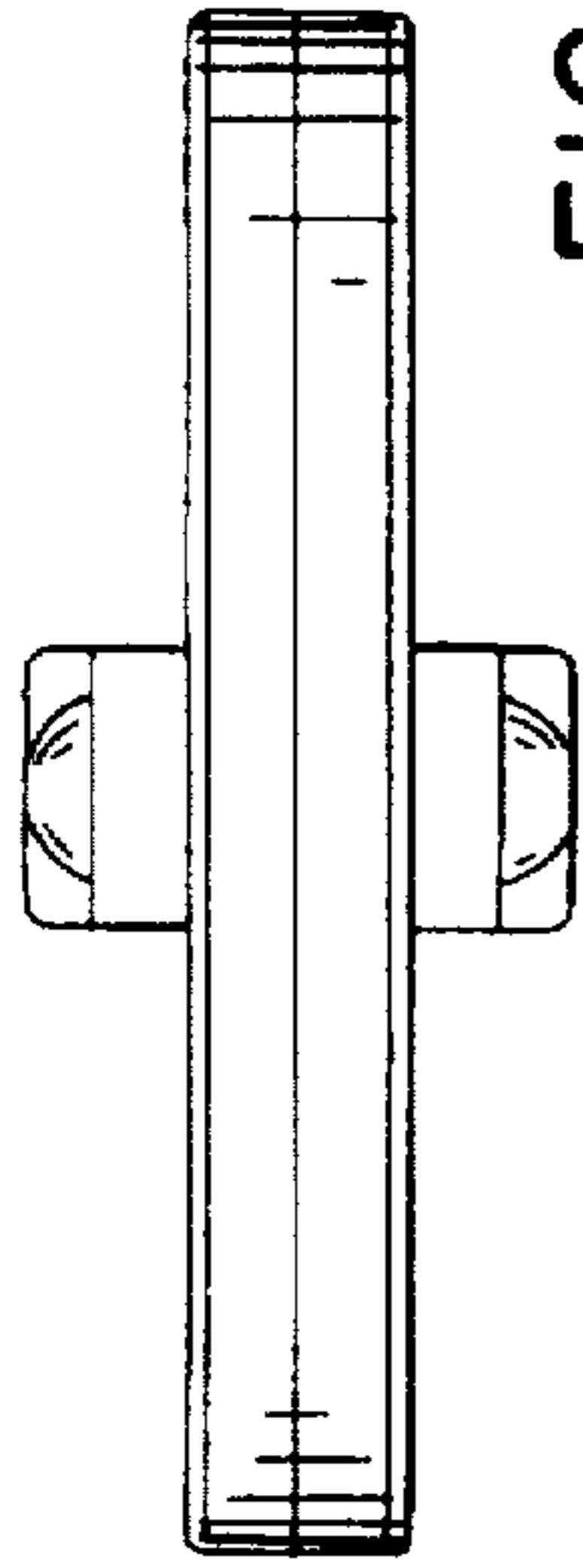


FIG. 5

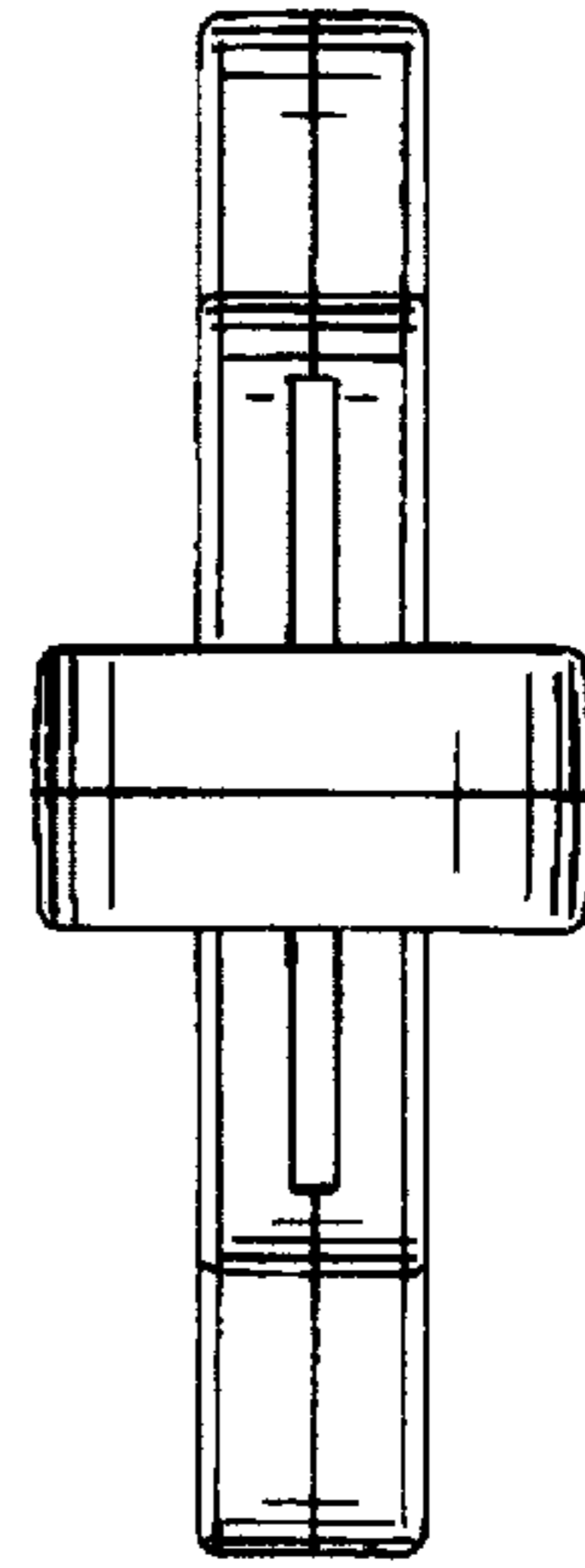


FIG. 6

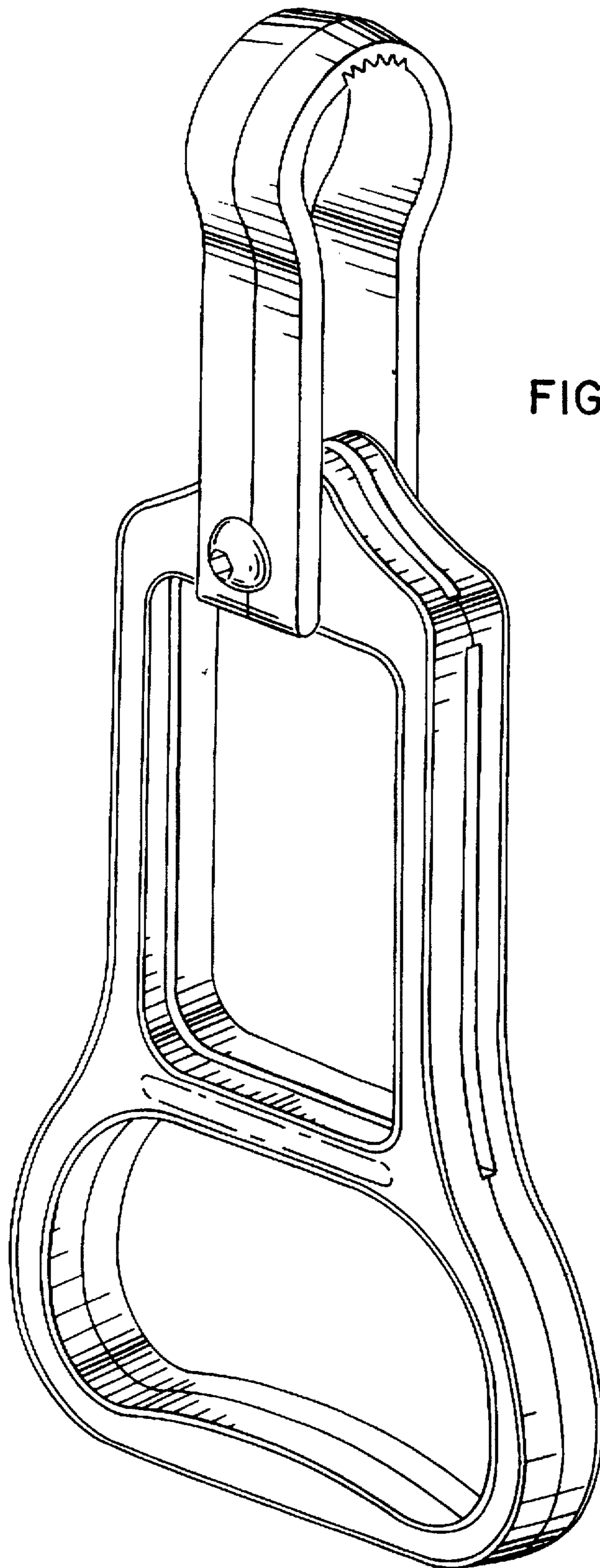


FIG. 7