



US00D394415S

**United States Patent** [19]  
**Chen**

[11] **Patent Number: Des. 394,415**

[45] **Date of Patent: \*\*May 19, 1998**

[54] **PLANT STAND**

D. 204,006 3/1966 Reed ..... D6/403  
D. 364,518 11/1995 Koehler et al. .... D6/403 X

[76] **Inventor: Terry Chen, 3658 Autumn Ridge Pky.,  
Marietta, Ga. 30066**

*Primary Examiner*—Caron D. Veynar  
*Attorney, Agent, or Firm*—Rodgers & Rodgers

[\*\*] **Term: 14 Years**

[57] **CLAIM**

[21] **Appl. No.: 63,166**

The ornamental design for a plant stand, as shown and described.

[22] **Filed: Nov. 29, 1996**

**DESCRIPTION**

[51] **LOC (6) Cl. .... 11-02**

[52] **U.S. Cl. .... D11/143; D6/403**

[58] **Field of Search .... D11/143, 144,  
D11/152, 153, 154; D6/403; 47/65.5, 66.7,  
39, 41.01; 206/423; 248/27.8, 121, 126,  
127**

FIG. 1 is a perspective view of a plant stand showing my new design;  
FIG. 2 is a front elevational view thereof, the rear being a mirror image thereof;  
FIG. 3 is a left side elevational view thereof, the opposite side being a mirror image thereof;  
FIG. 4 is a top plan view thereof; and  
FIG. 5 is a bottom plan view thereof.

[56] **References Cited**

**U.S. PATENT DOCUMENTS**

D. 161,093 12/1950 Dottavio ..... D11/152

**1 Claim, 3 Drawing Sheets**

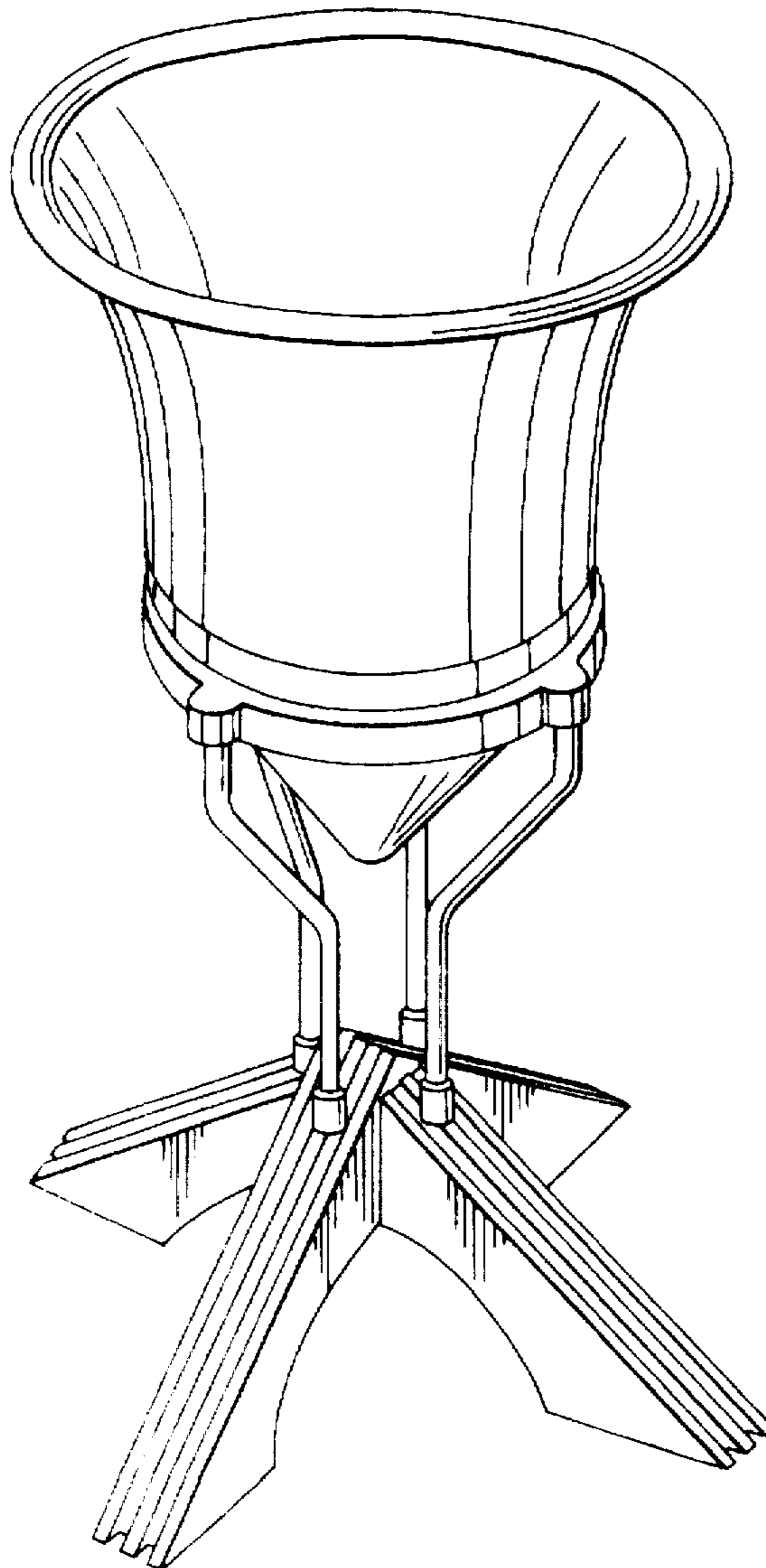
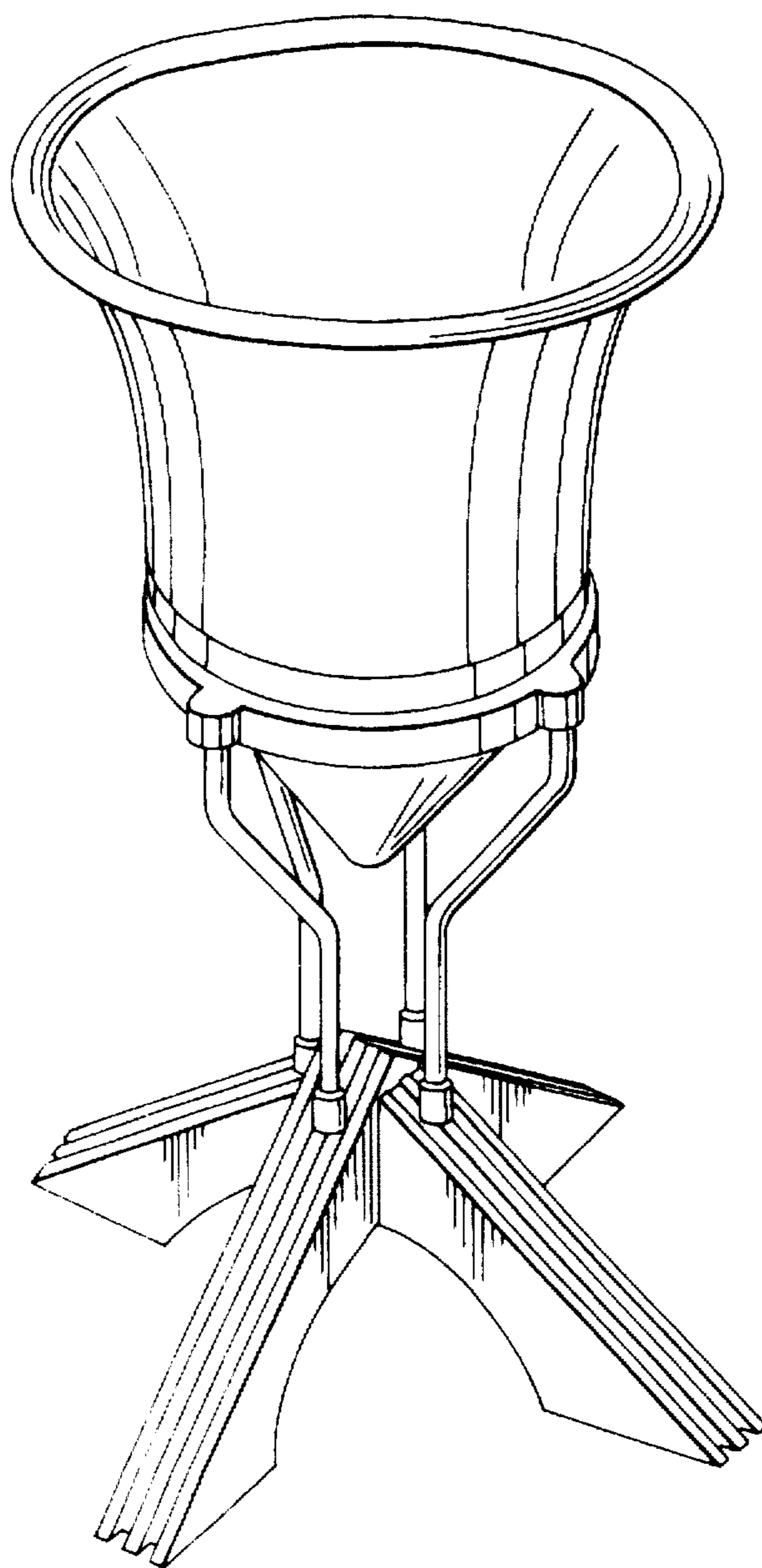


FIG. 1



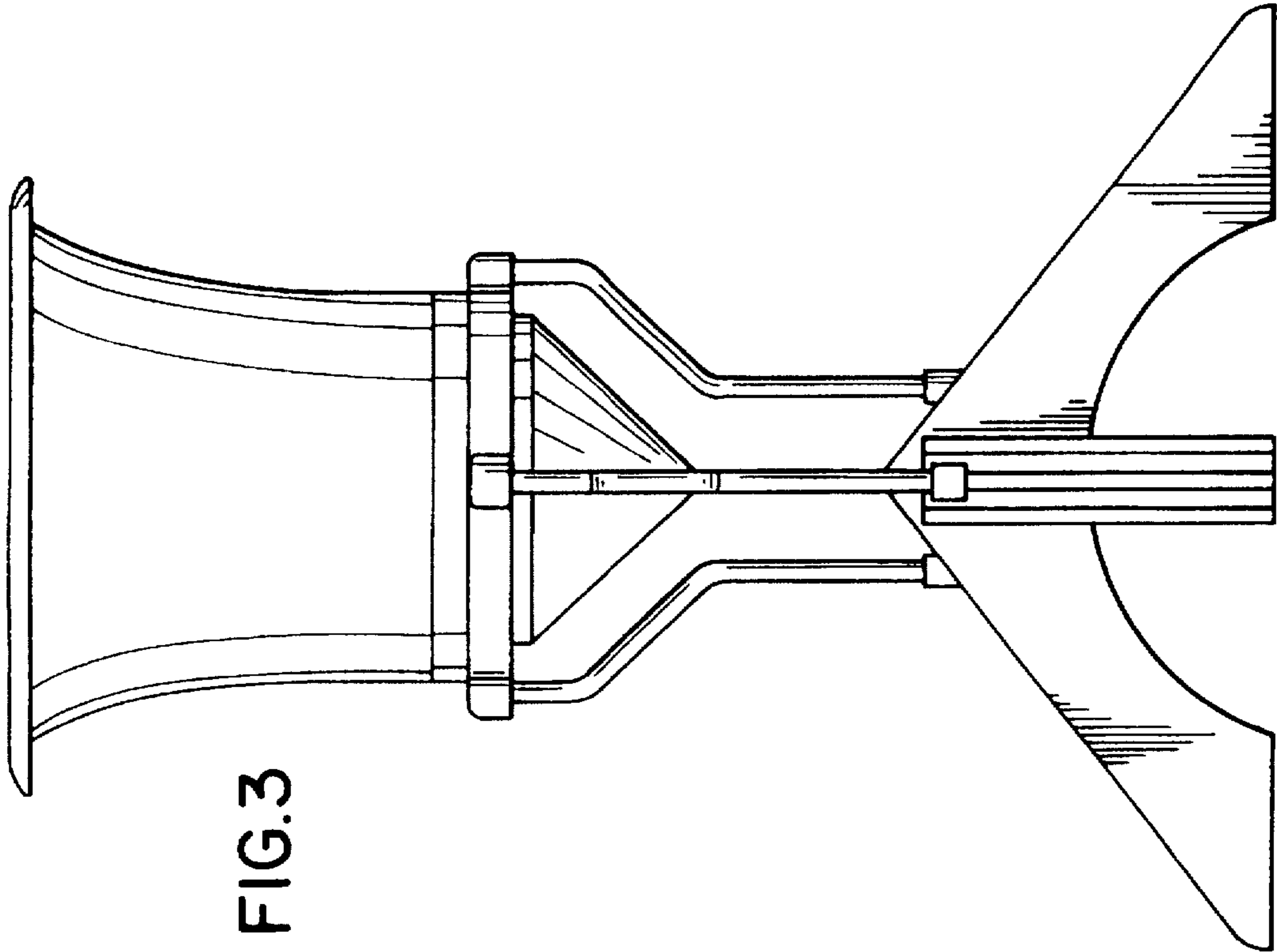


FIG. 3

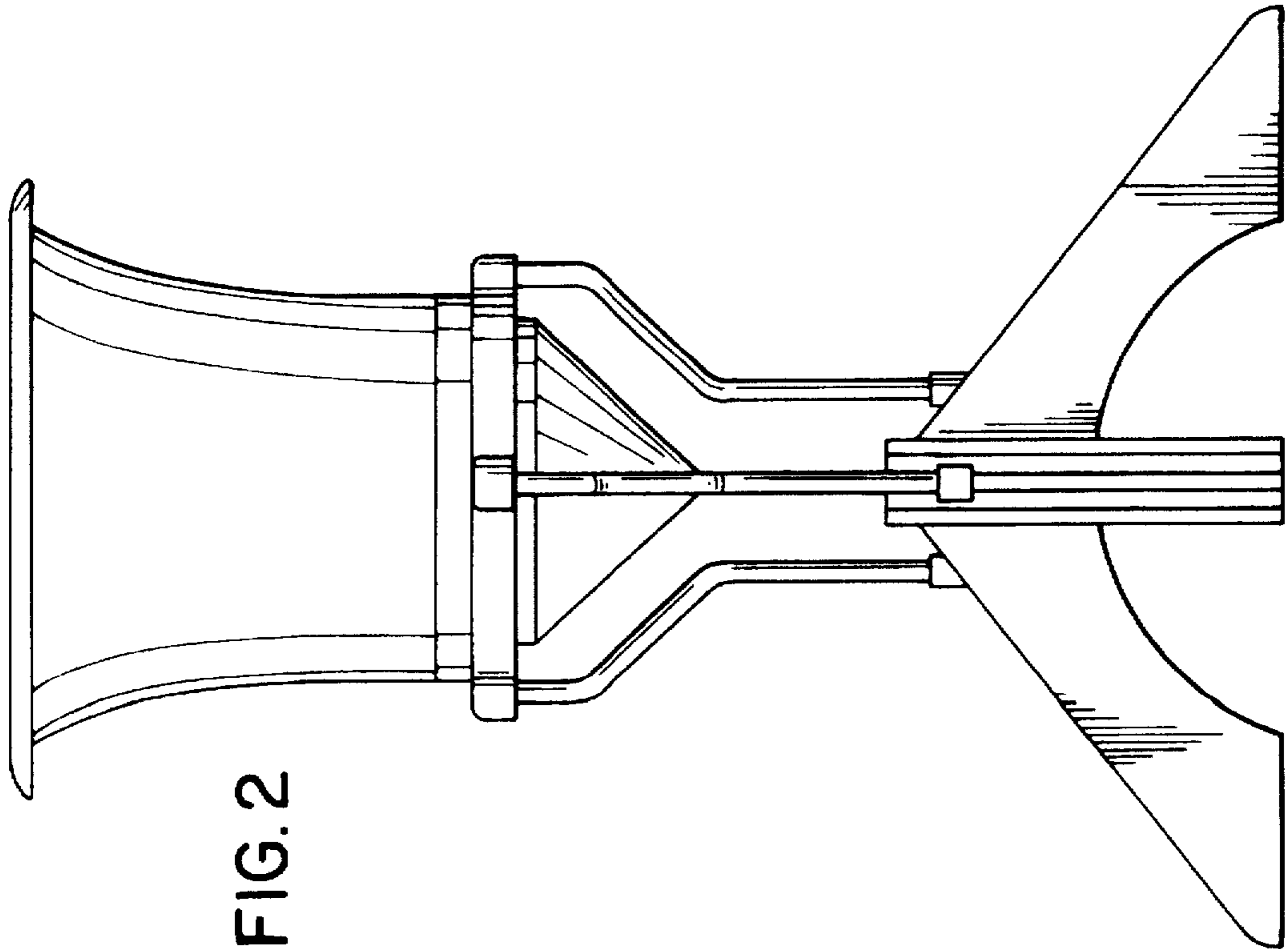


FIG. 2

FIG. 4

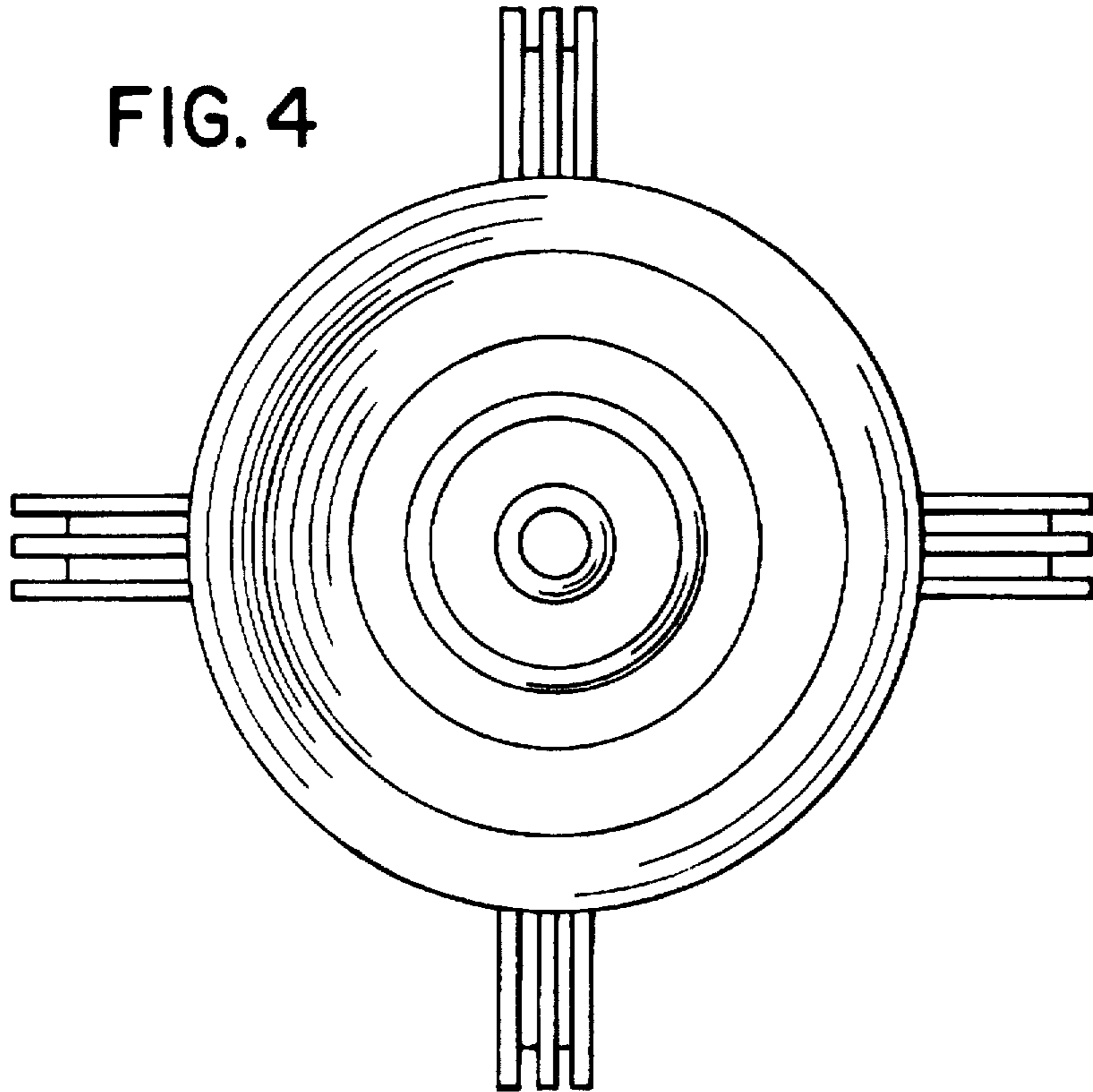


FIG. 5

