



US00D394408S

United States Patent [19]

[11] Patent Number: **Des. 394,408**

Davila

[45] Date of Patent: ****May 19, 1998**

[54] **COMBINED TRANSMITTER AND RECEIVER FOR A BICYCLE SECURITY ALARM**

D. 376,767 12/1996 Duran D10/106

Primary Examiner—Marcus A. Jackson

[76] Inventor: **Edwin Davila**, 1240 Vyse Ave., Bronx, N.Y. 10459

[57] **CLAIM**

The ornamental design for a combined transmitter and receiver for a bicycle security alarm, as shown.

[**] Term: **14 Years**

DESCRIPTION

[21] Appl. No.: **74,427**

FIG. 1 is a front elevational view of a combined transmitter and receiver for a bicycle security alarm of the present invention;

[22] Filed: **Aug. 7, 1997**

FIG. 2 is a back elevational view of a combined transmitter and receiver for a bicycle security alarm of FIG. 1;

[51] LOC (6) Cl. **10-05**

[52] U.S. Cl. **D10/106**

[58] Field of Search D10/104, 106, D10/116, 121; 340/565, 568, 571, 572, 566, 328, 427

FIG. 3 is a left side elevational view of a combined transmitter and receiver for a bicycle security alarm of FIG. 1; FIG. 4 is a right side elevational view of a combined transmitter and receiver for a bicycle security alarm of FIG. 1;

[56] **References Cited**

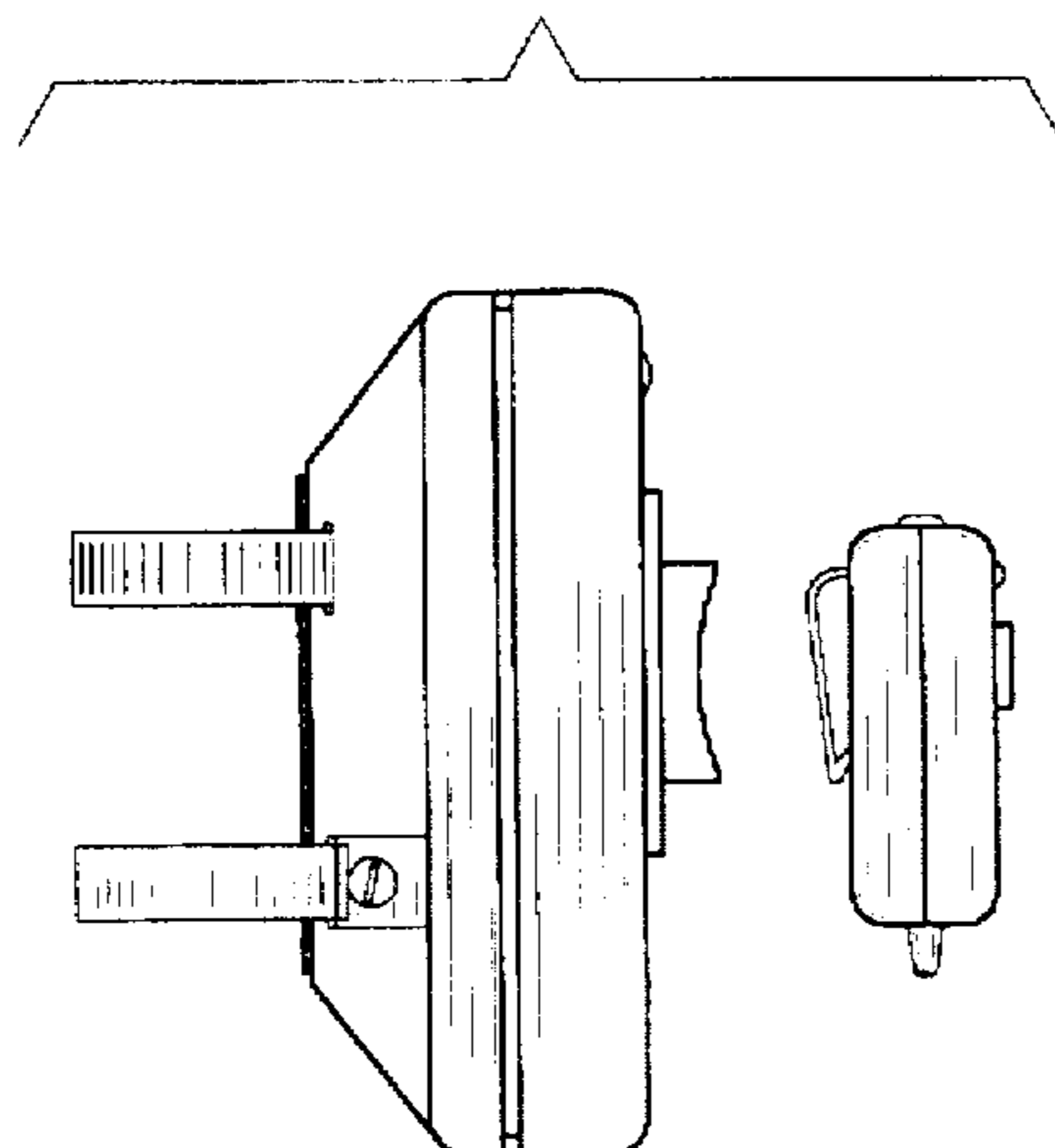
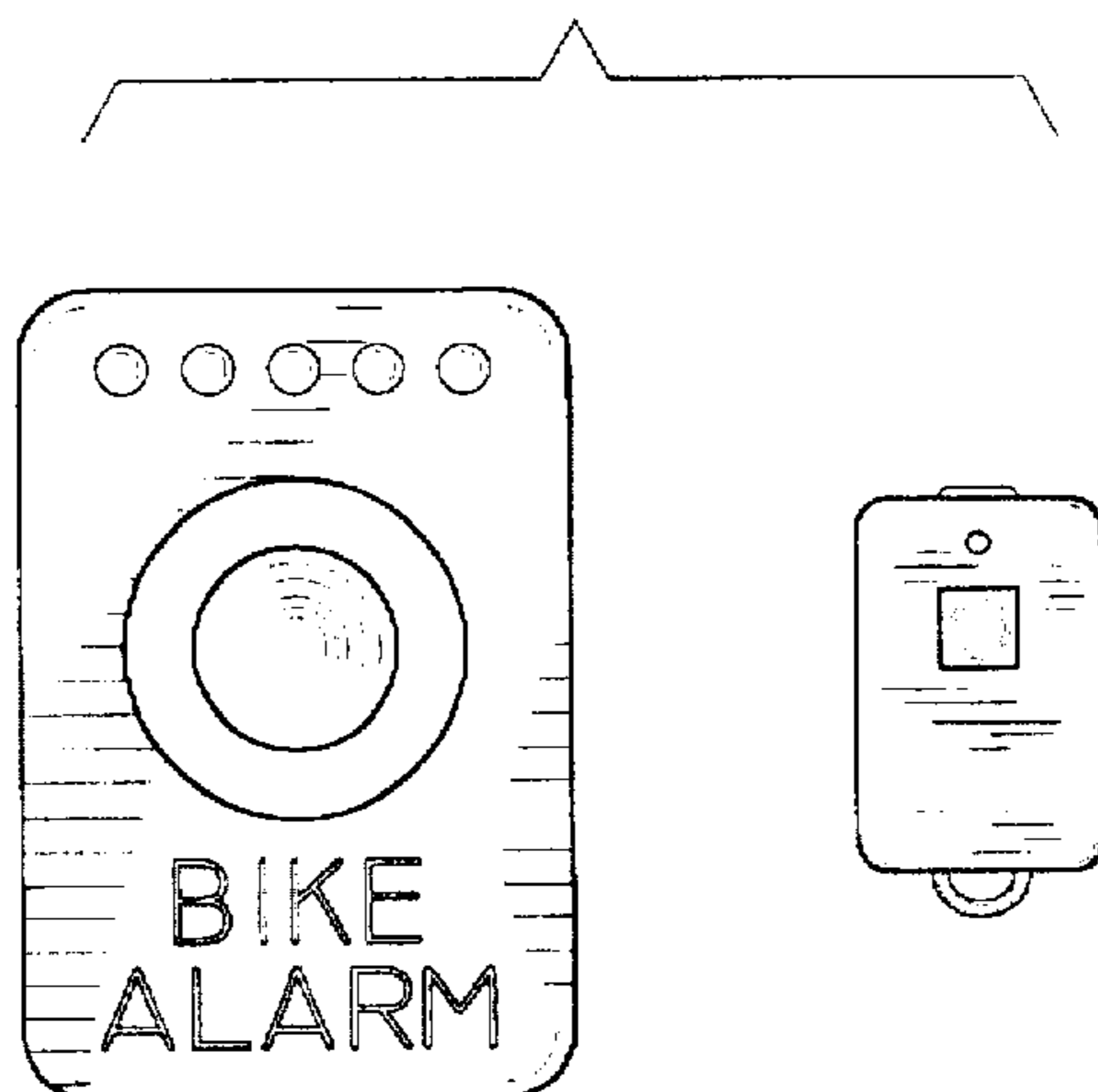
U.S. PATENT DOCUMENTS

- D. 328,570 8/1992 Speer, Jr. D10/106
- D. 341,097 11/1993 Mounsey D10/106
- D. 344,904 3/1994 Dotsikas D10/106
- D. 353,114 12/1994 Tsung-fu D10/106

FIG. 5 is a top plan view of a combined transmitter and receiver for a bicycle security alarm of FIG. 1; and,

FIG. 6 is a bottom plan view of a combined transmitter and receiver for a bicycle security alarm of FIG. 1.

1 Claim, 3 Drawing Sheets



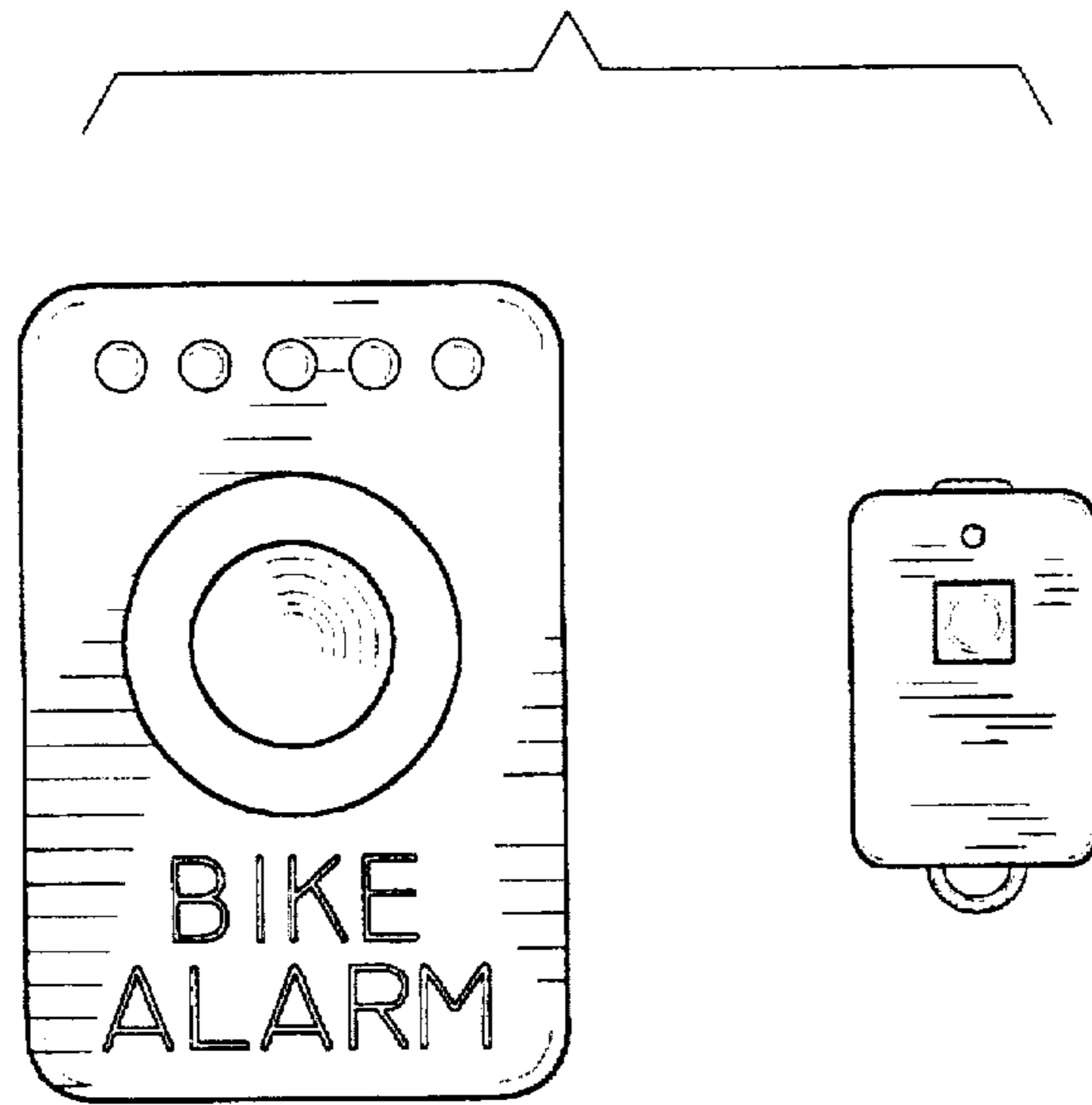


Fig. 1

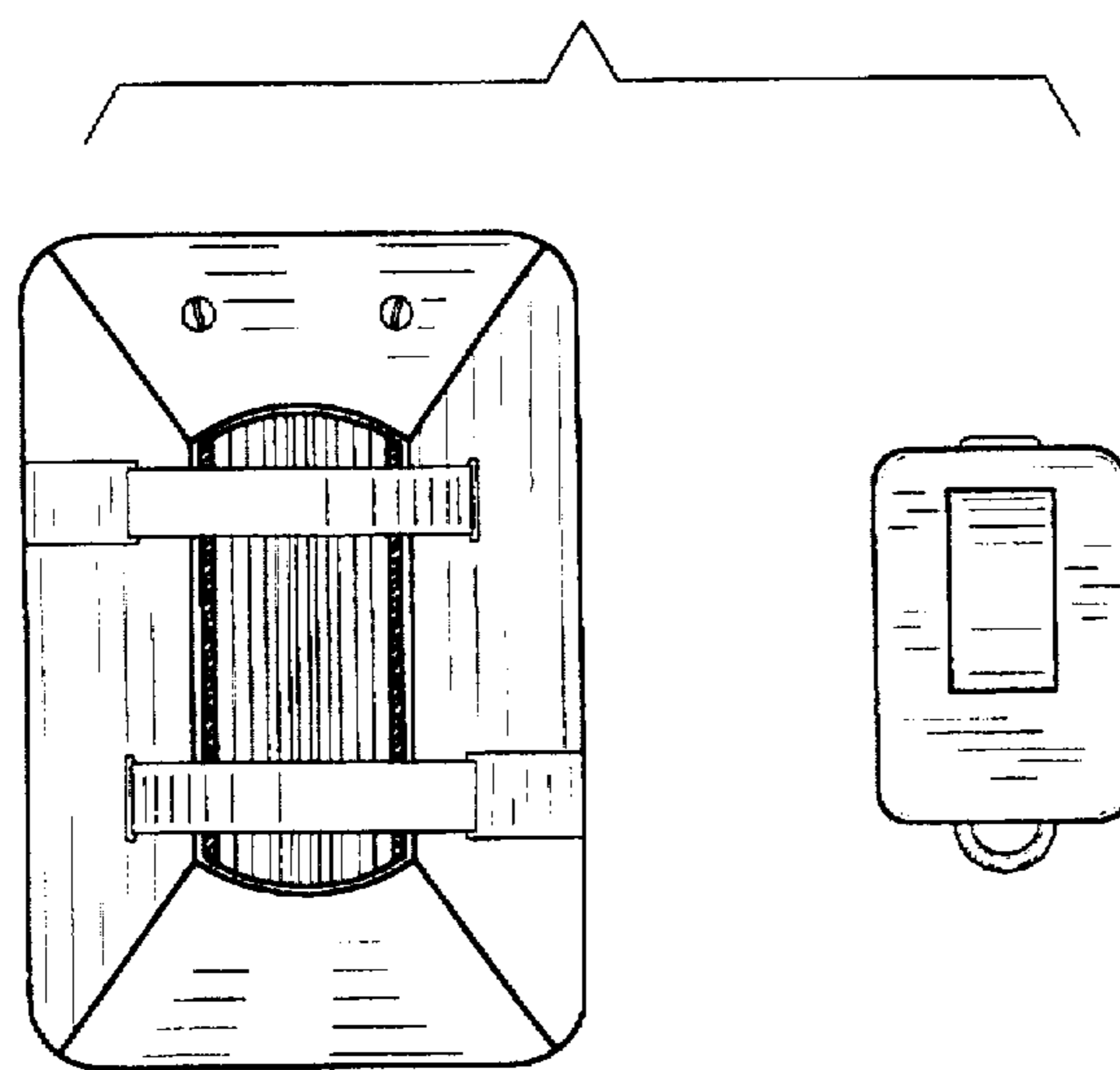


Fig. 2

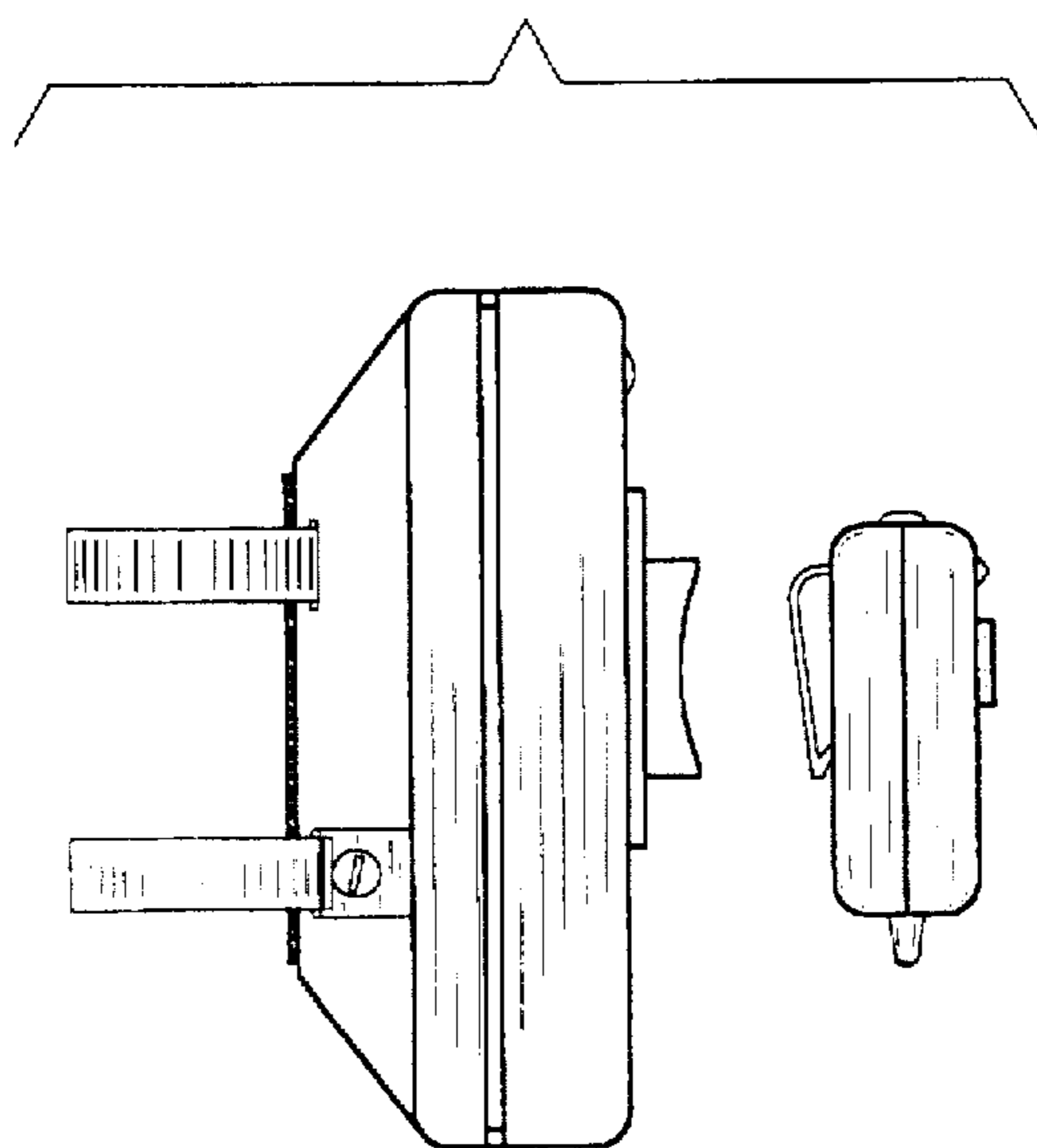


Fig. 3

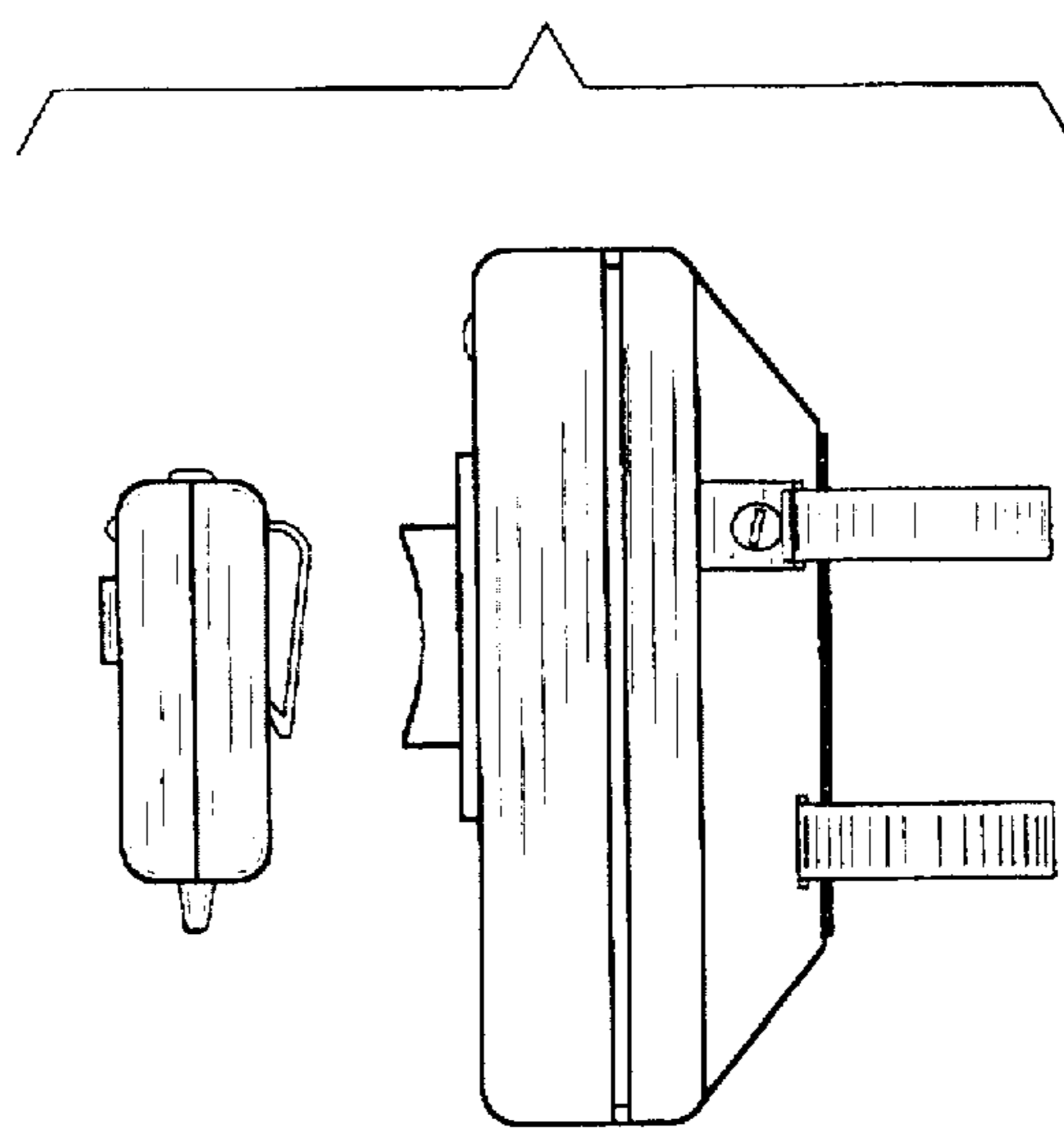


Fig. 4

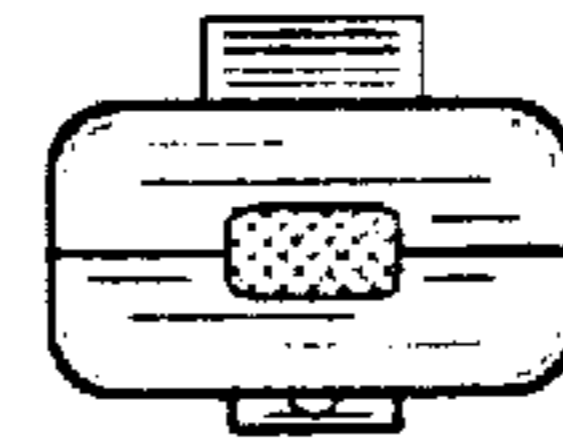
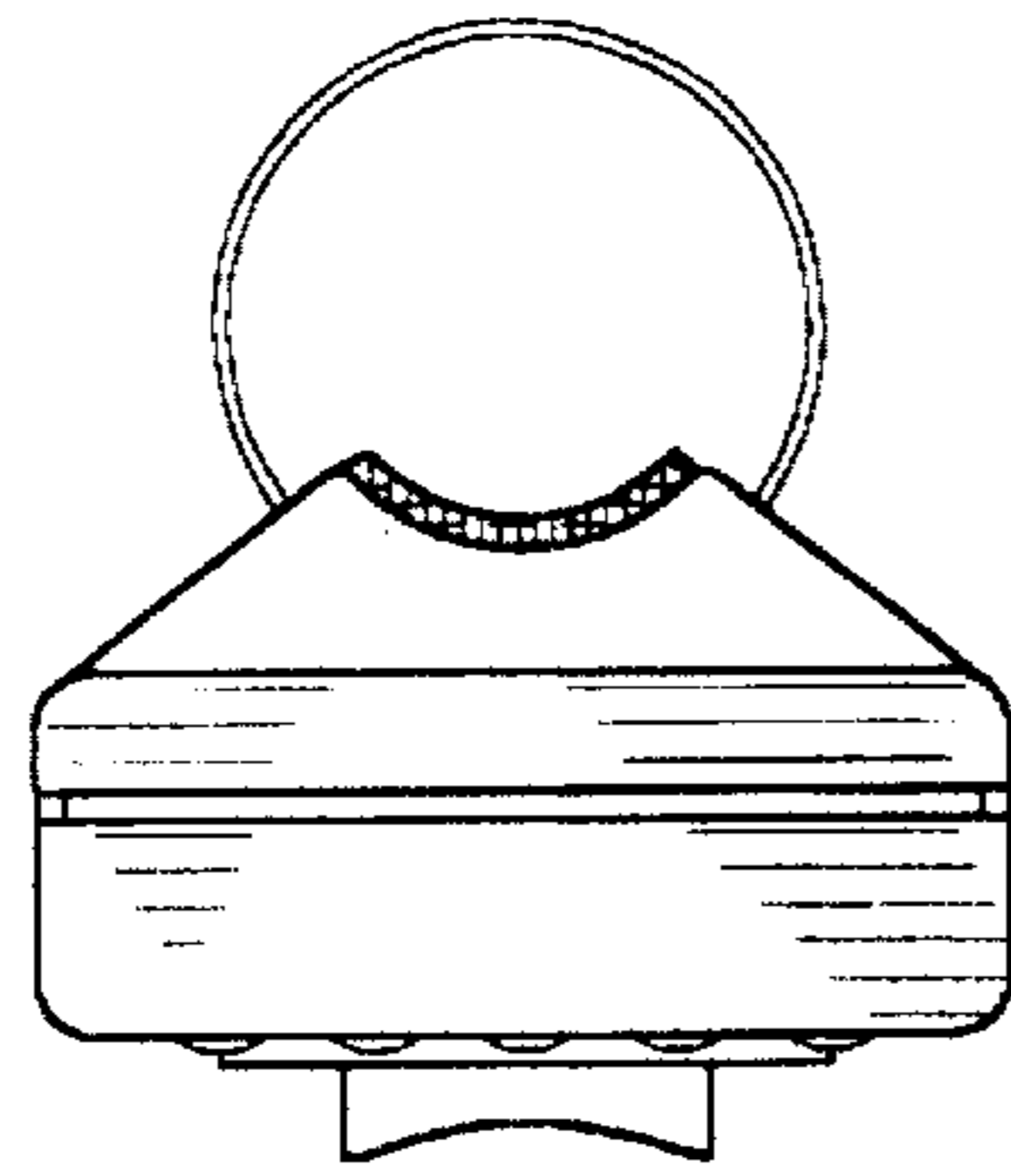


Fig. 5

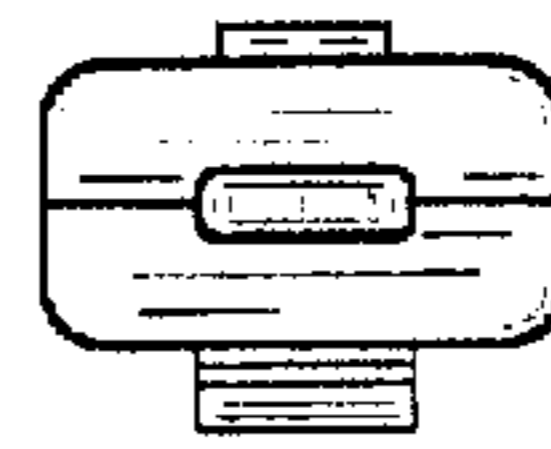
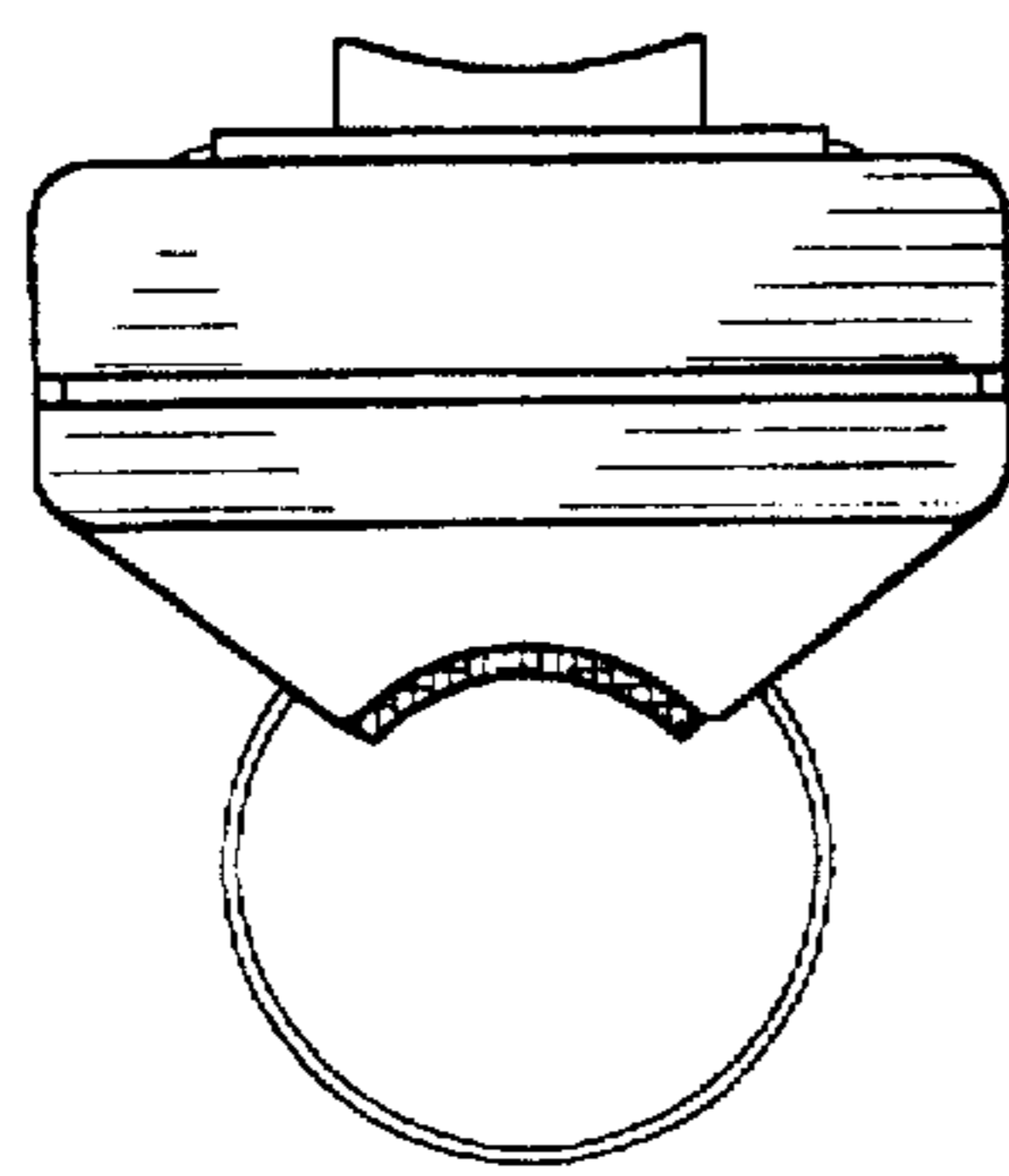


Fig. 6