



US00D394405S

United States Patent [19]

Cummings et al.

[11] Patent Number: **Des. 394,405**

[45] Date of Patent: ****May 19, 1998**

[54] **GIMBAL MOUNTED SONAR DEPTH INDICATOR**

[75] Inventors: **Duane E. Cummings**, Monticello;
Raphael J. Marzean, St. Michael;
Gregory R. Johnson, Nisswa, all of
Minn.

[73] Assignee: **MarCum Enterprises, Inc.**,
Monticello, Minn.

[**] Term: **14 Years**

[21] Appl. No.: **66,840**

[22] Filed: **Mar. 3, 1997**

[51] LOC (6) Cl. **10-04**

[52] U.S. Cl. **D10/46**

[58] Field of Search D10/46, 70; 340/744,
340/745, 753, 754, 815.1, 815.03; 342/42,
46, 47; 367/98, 99, 107-116, 900; 345/50

[56] **References Cited**

U.S. PATENT DOCUMENTS

D. 329,615 9/1992 Stiner D10/46
D. 329,616 9/1992 Stiner D10/46

Primary Examiner—Antoine Duval Davis
Attorney, Agent, or Firm—Haugen and Nikolai, P.A.

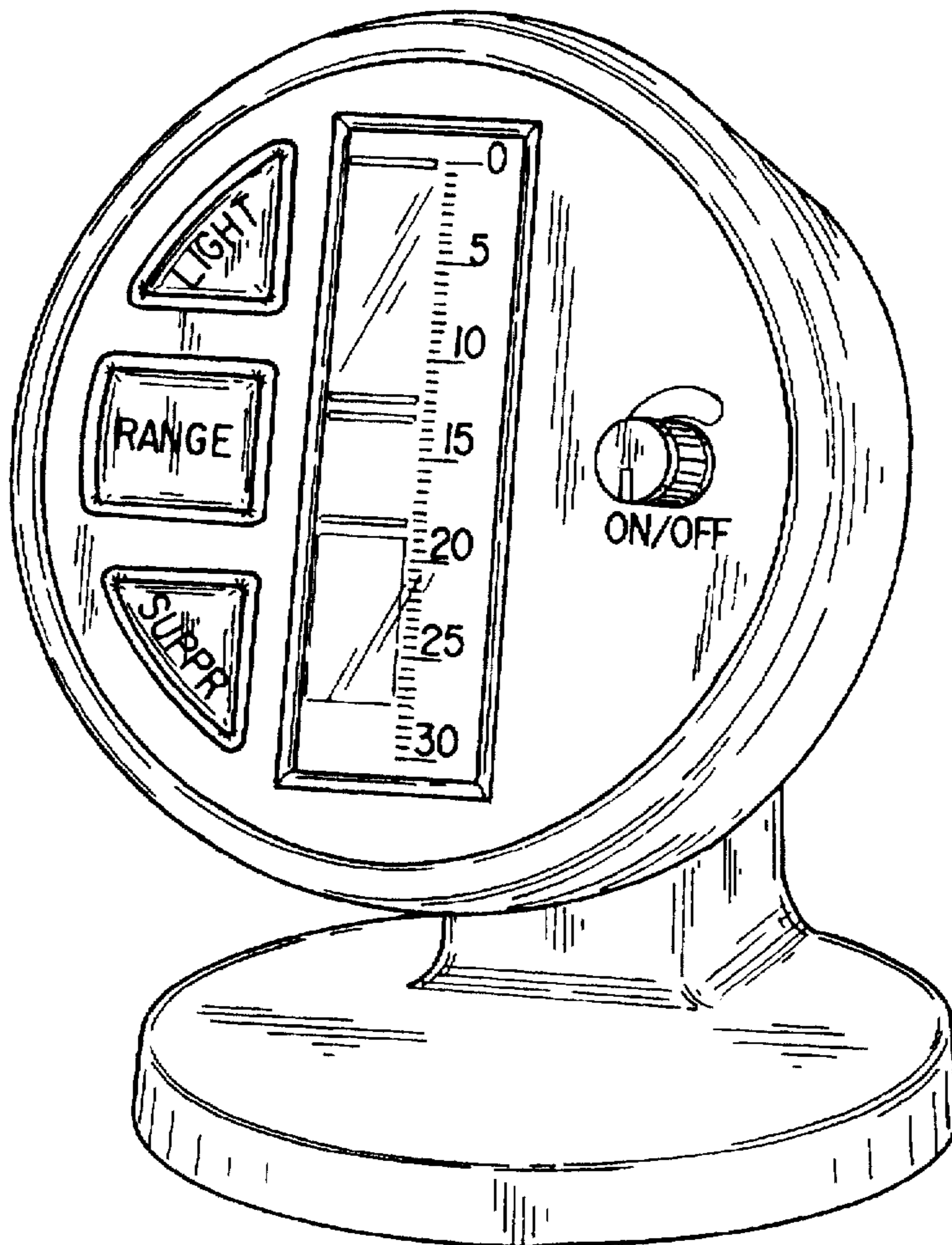
[57] **CLAIM**

The ornamental design for a gimbal mounted sonar depth indicator, as shown and described.

DESCRIPTION

FIG. 1 is a front perspective view of a gimbal mounted sonar depth indicator, showing our new design;
FIG. 2 is a rear perspective view thereof;
FIG. 3 is a side elevational view thereof; and,
FIG. 4 is a top plan view thereof.

1 Claim, 4 Drawing Sheets



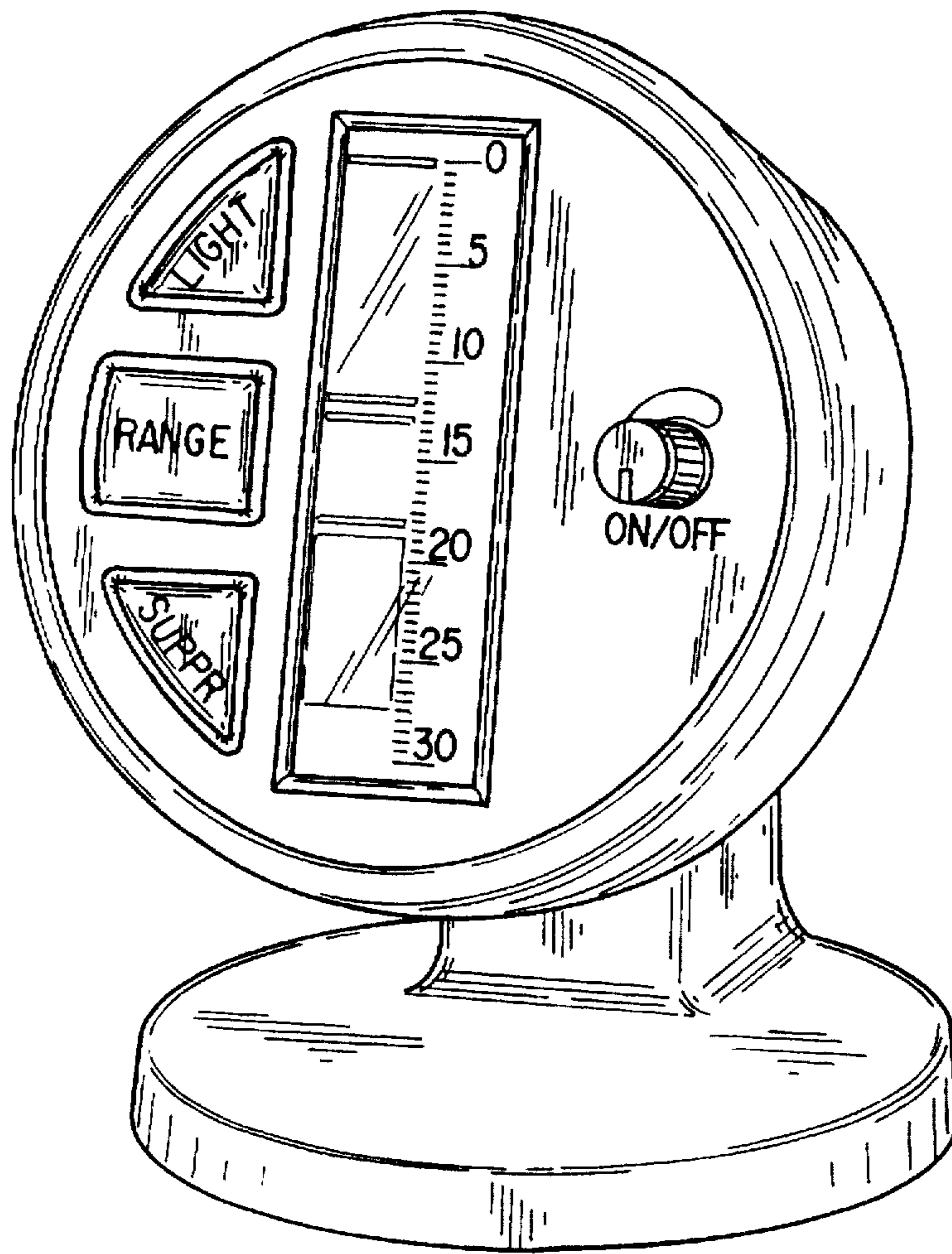


FIG. 1

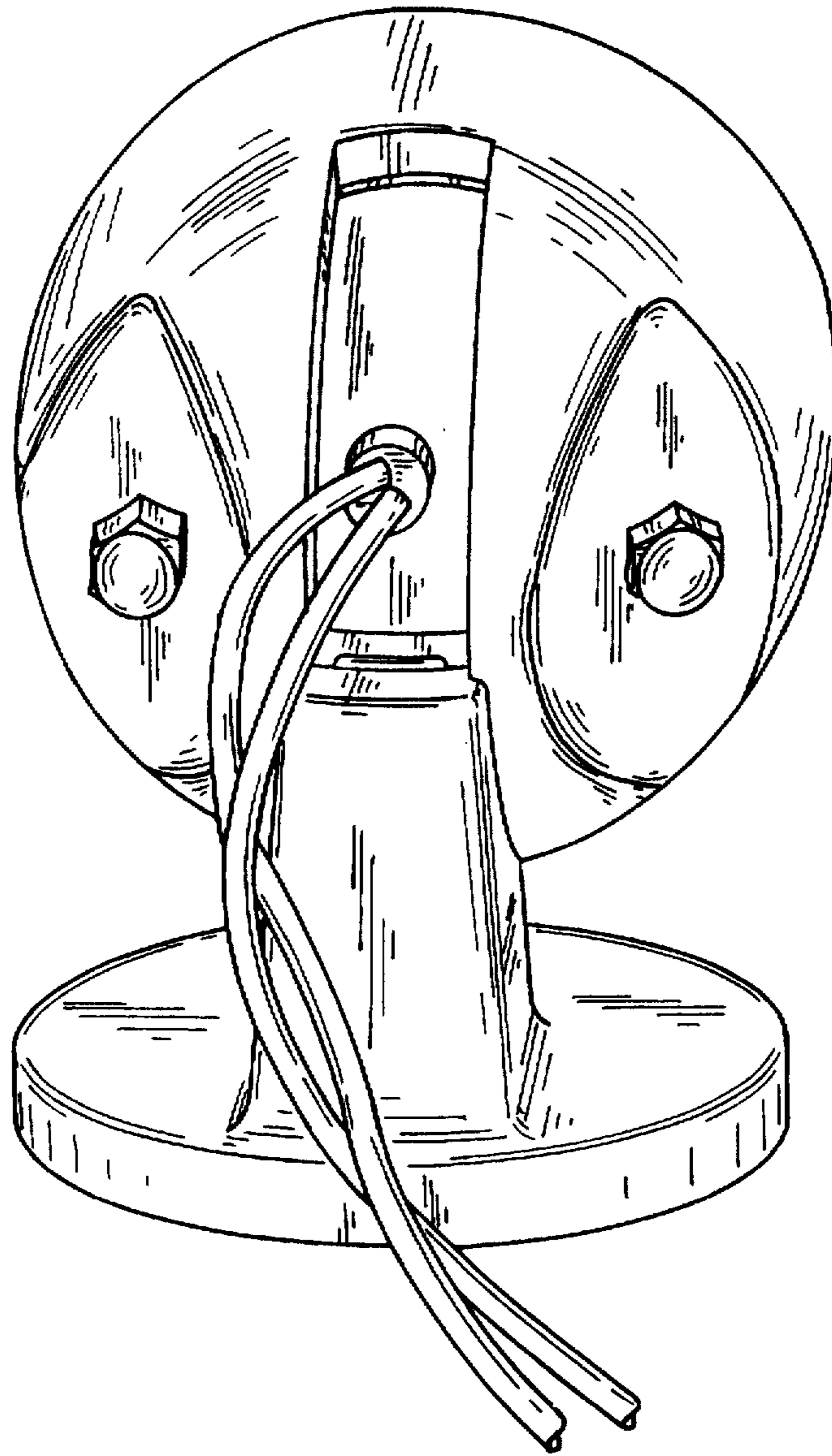


FIG. 2

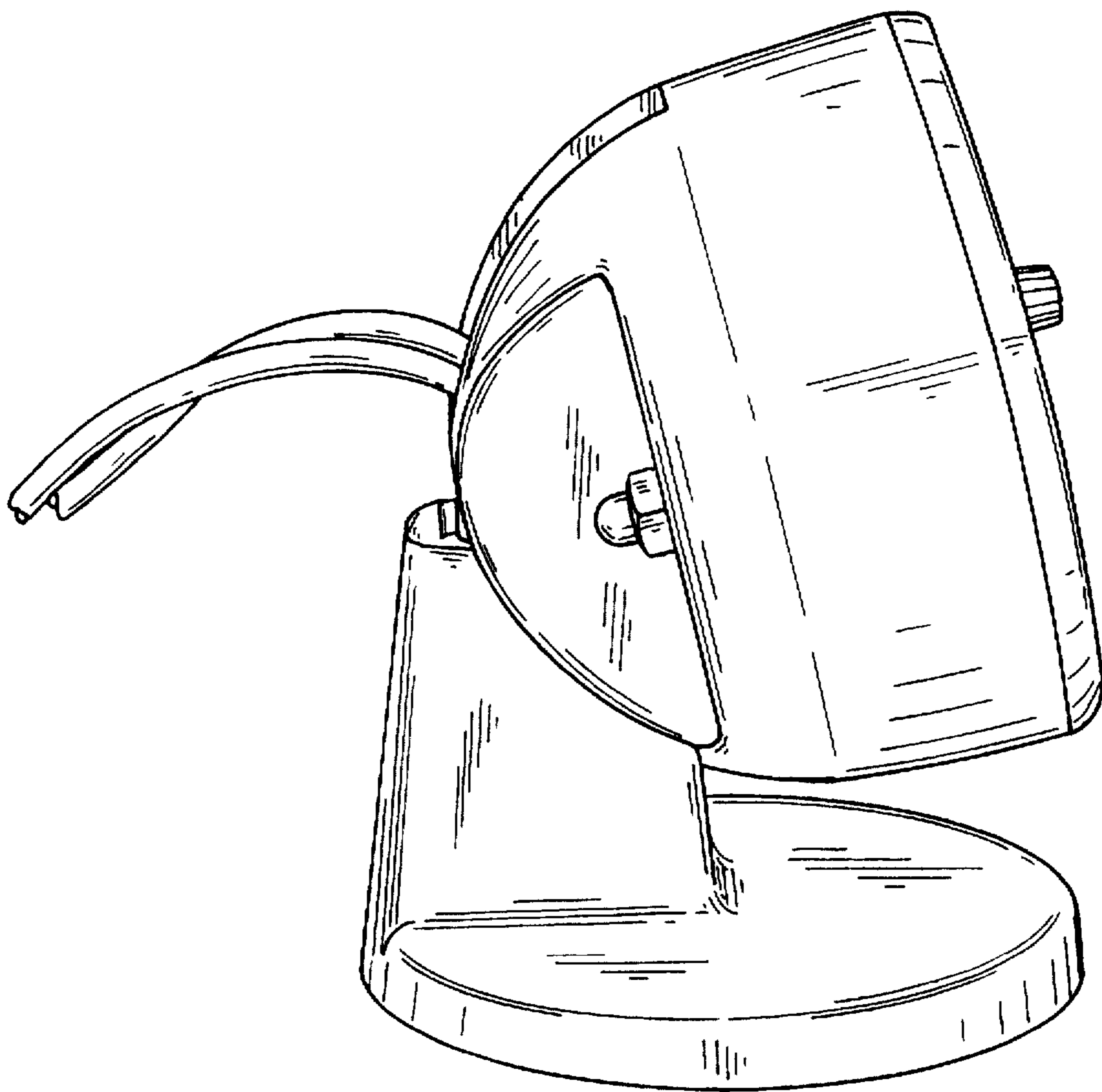


FIG. 3

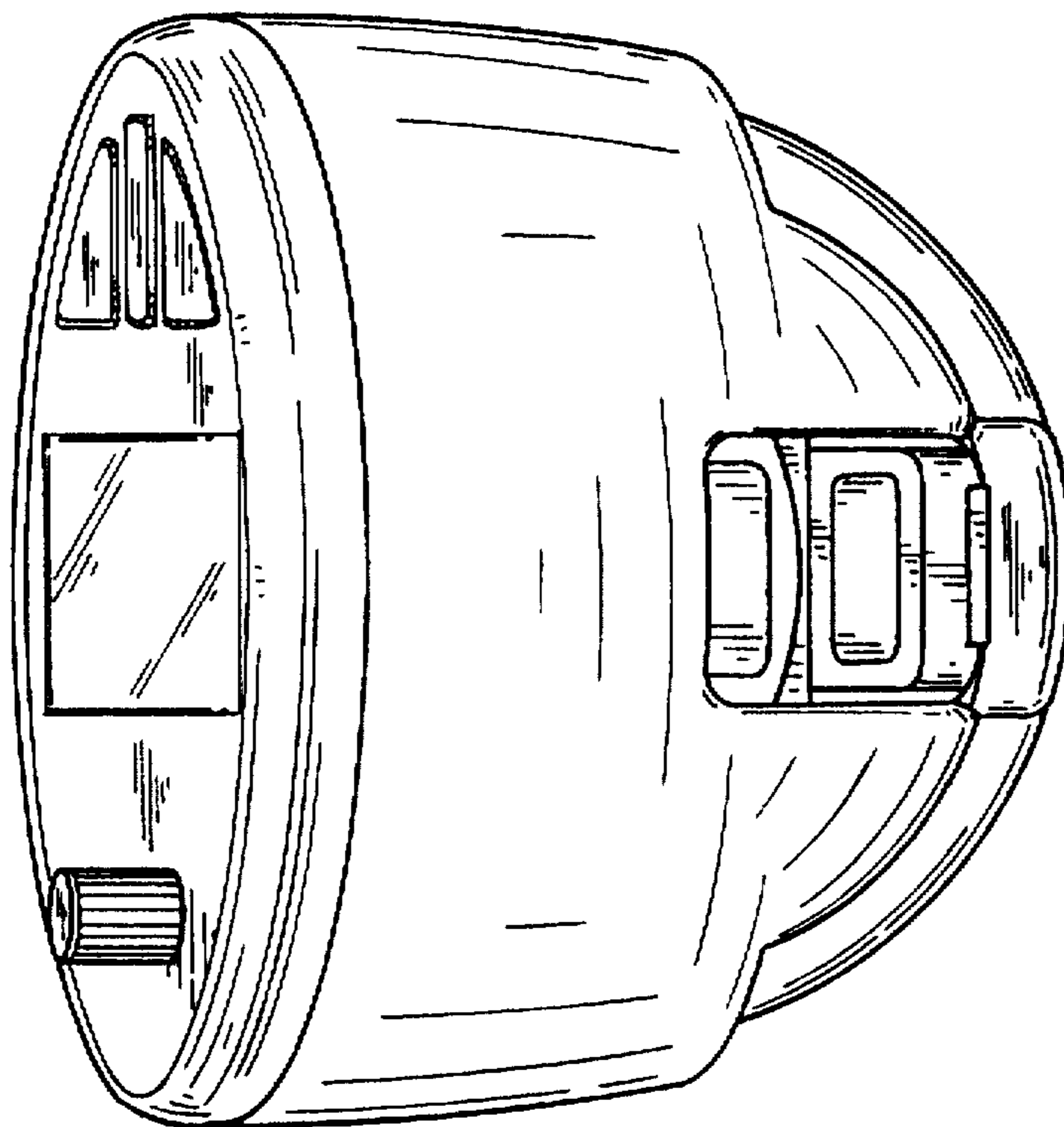


FIG. 4