



US00D394381S

# United States Patent [19]

[11] Patent Number: **Des. 394,381**

Ziaylek, Jr. et al.

[45] Date of Patent: **\*\*May 19, 1998**

[54] **TANK BRACKET**

D. 244,392 5/1977 Montambo ..... D8/373 X  
D. 245,929 9/1977 Montambo ..... D8/373 X  
D. 267,227 12/1982 Ziaylek, Jr. .... D8/373

[76] Inventors: **Theodore Ziaylek, Jr.**, 140 Riverview Dr.; **Michael P. Ziaylek**, 15 Cold Spring Ave., both of Yardley, Pa. 19067

*Primary Examiner*—Holly Baynham  
*Attorney, Agent, or Firm*—Sperry, Zoda & Kane

[\*\*] Term: **14 Years**

[57] **CLAIM**

[21] Appl. No.: **75,135**

The ornamental design for a tank bracket, as shown.

[22] Filed: **Aug. 12, 1997**

**DESCRIPTION**

[51] **LOC (6) Cl.** ..... **08-05**

FIG. 1 is a front three-quarter perspective illustration embodying our new design;

[52] **U.S. Cl.** ..... **D8/354**

FIG. 2 is a top plan view;

[58] **Field of Search** ..... D8/373, 349, 354;  
248/311.2, 146

FIG. 3 is a bottom plan view;

FIG. 4 is a front plan view; and,

FIG. 5 is a side view as seen from the right in FIG. 4.

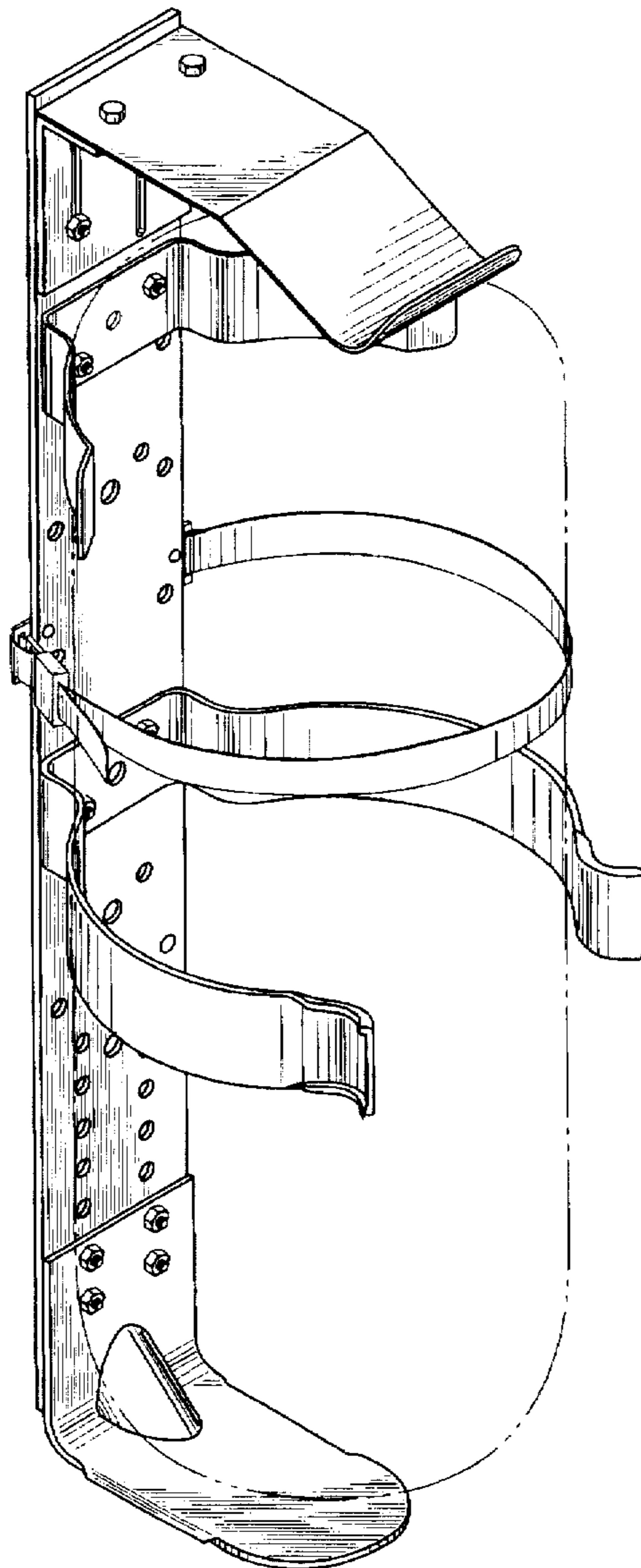
The broken line showing of a tank is for illustrative purposes only and forms no part of the claimed design.

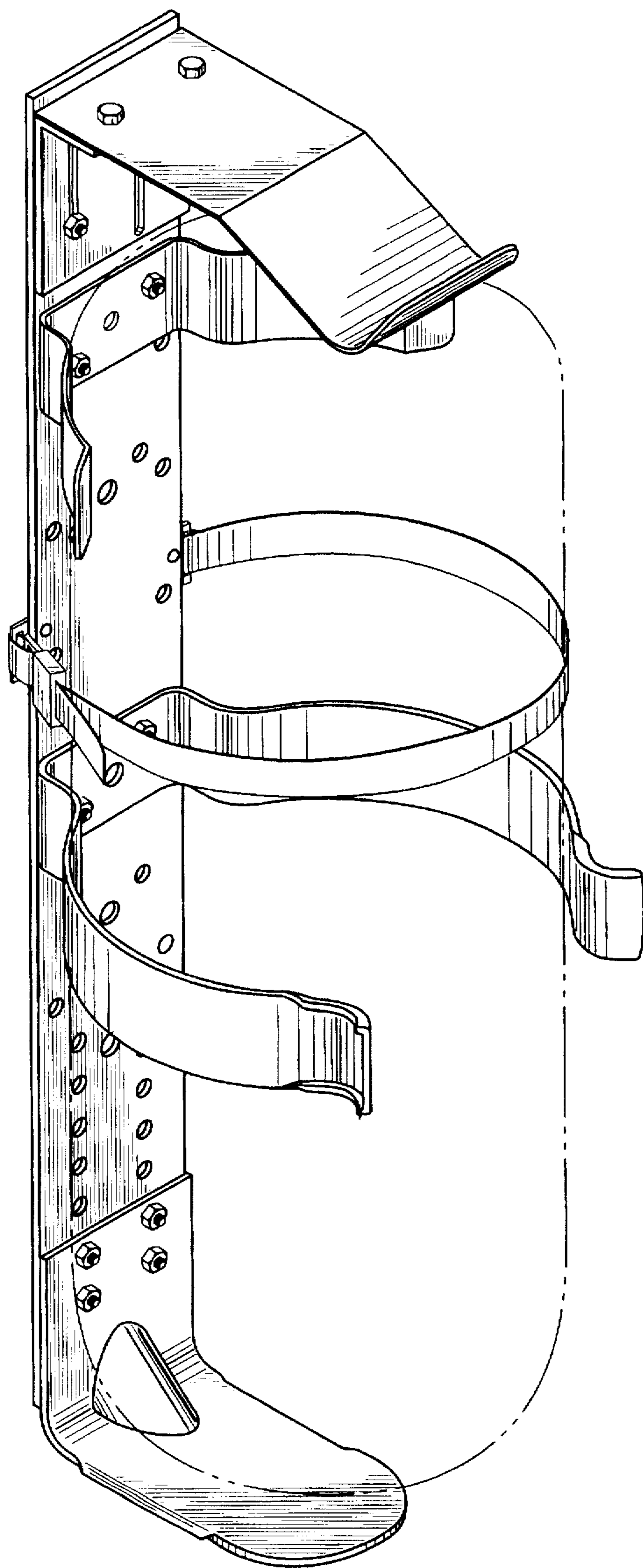
[56] **References Cited**

**U.S. PATENT DOCUMENTS**

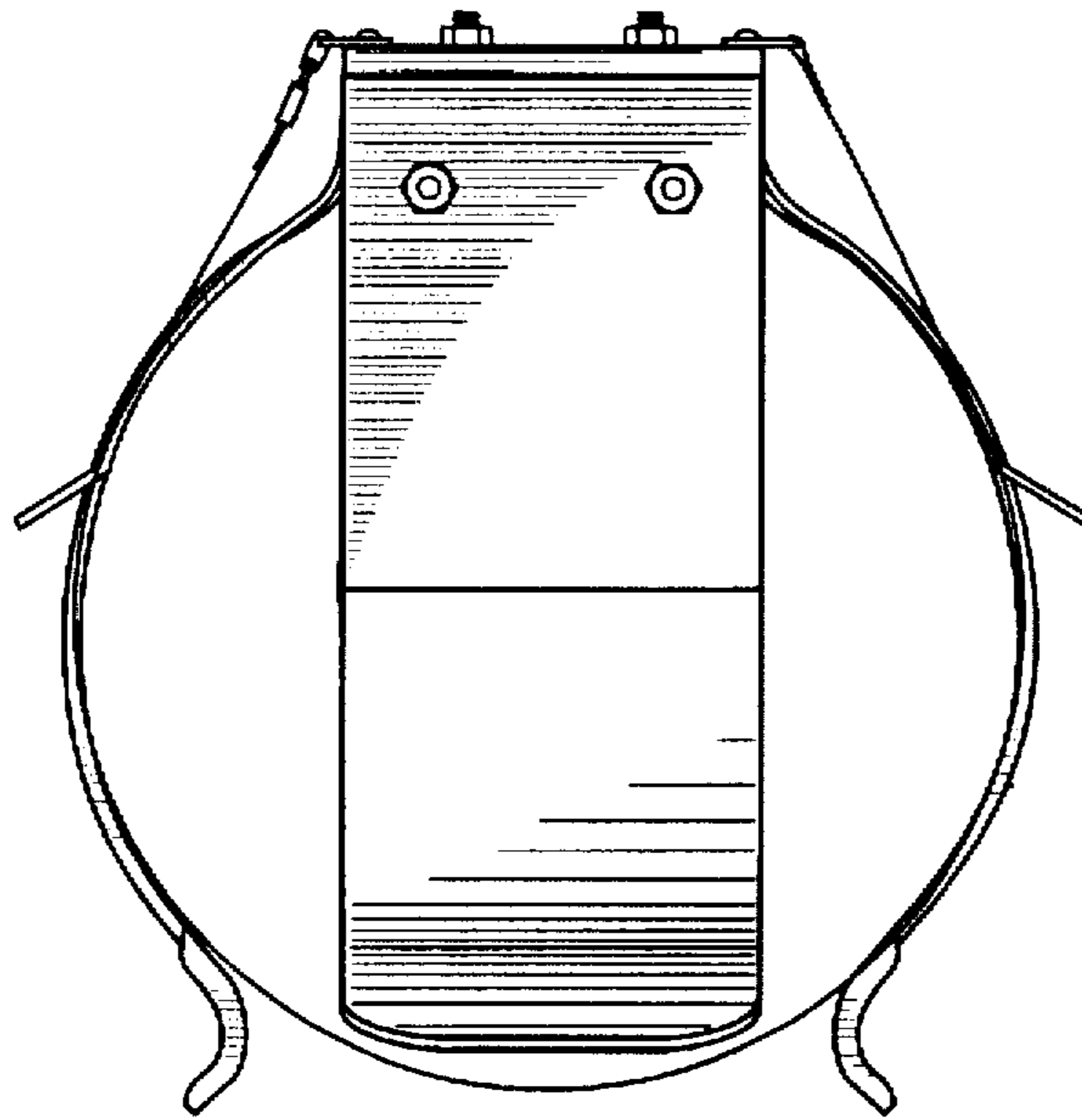
D. 222,527 11/1971 Ziaylek, Jr. .... D8/373  
D. 237,357 10/1975 Ziaylek, Jr. .... D8/373

**1 Claim, 3 Drawing Sheets**

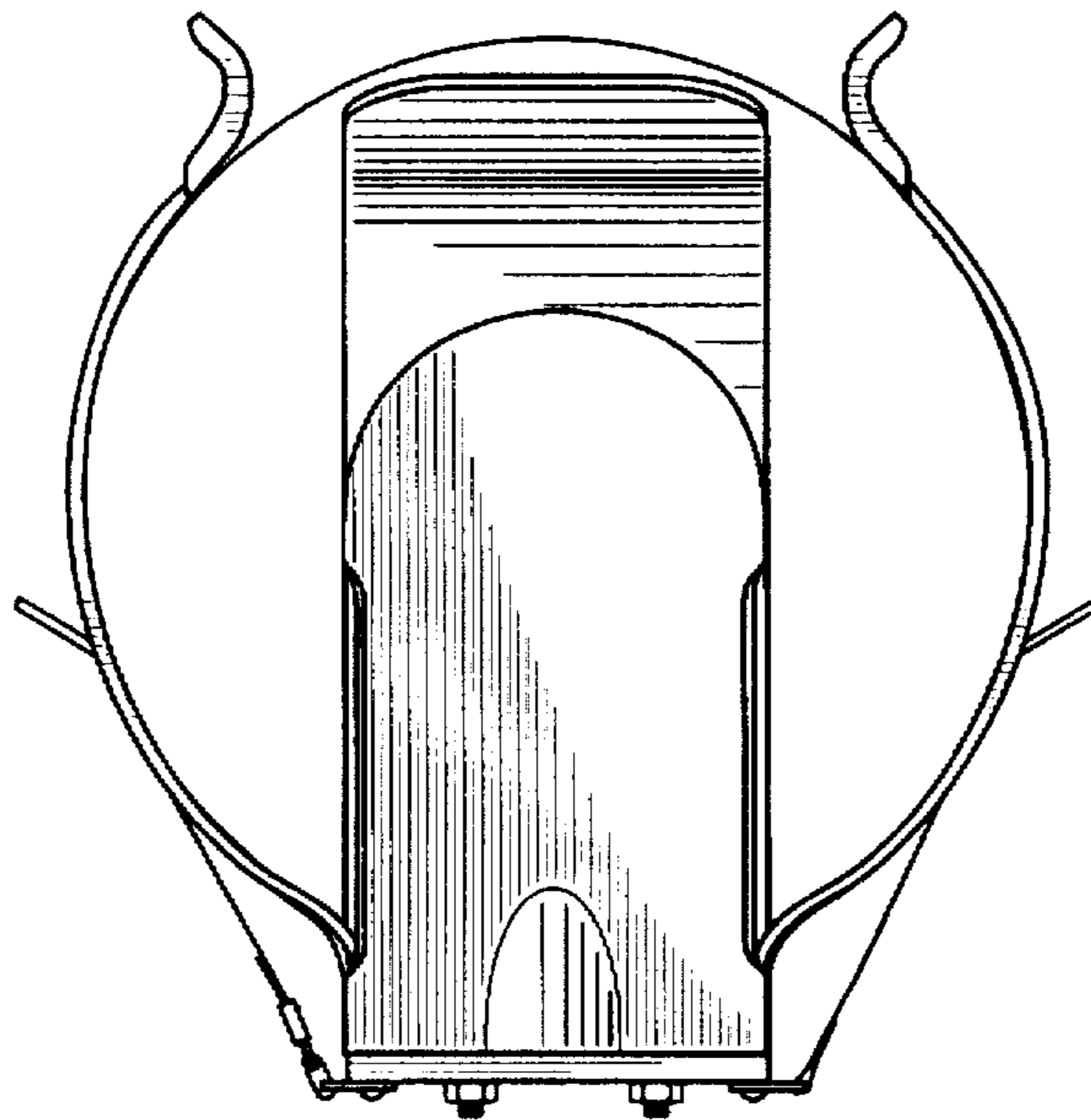




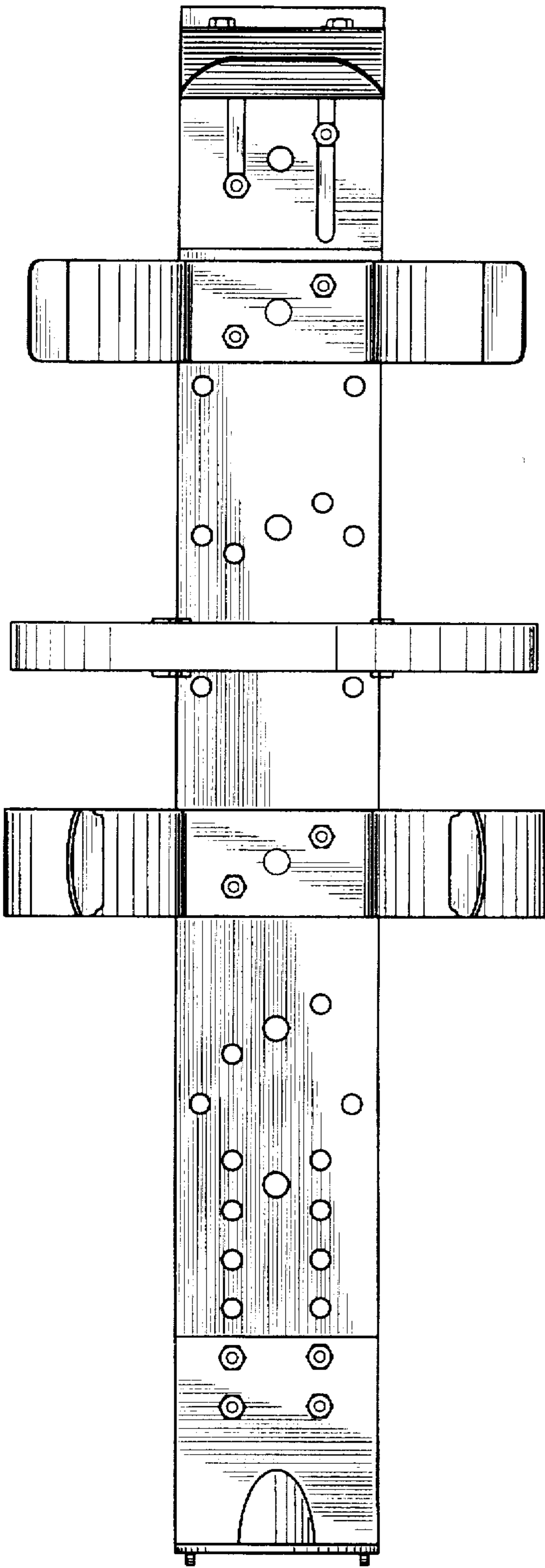
**FIG. 1**



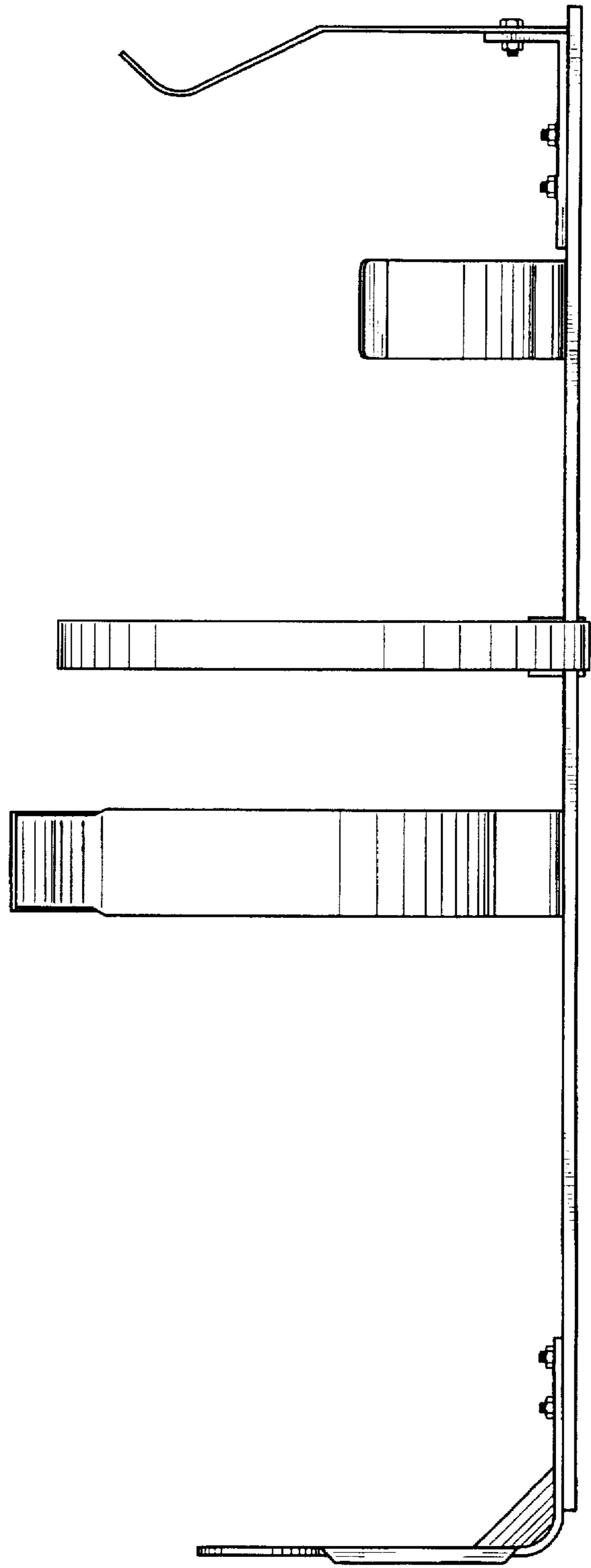
**FIG. 2**



**FIG. 3**



**FIG. 4**



**FIG. 5**