



US00D394377S

United States Patent [19]
Najewski et al.

[11] **Patent Number: Des. 394,377**
[45] **Date of Patent: **May 19, 1998**

[54] **MOUNTING BRACKET**

[75] Inventors: **Darryl Najewski**, Orchard Park; **Scott Palka**, Kenmore; **Ralph Davoli**, Tonawanda; **Brian Webber**, Buffalo, all of N.Y.

[73] Assignee: **Curbell Inc.**, Orchard Park, N.Y.

[**] Term: **14 Years**

[21] Appl. No.: **76,610**

[22] Filed: **Sep. 8, 1997**

[51] **LOC (6) Cl.** **08-05**

[52] **U.S. Cl.** **D8/354**

[58] **Field of Search** D8/354, 349, 380;
248/300, 200, 201, 205.1, 27

[56] **References Cited**

U.S. PATENT DOCUMENTS

D. 226,650 4/1973 Kennedy D8/354

D. 252,861 9/1979 Potts D8/354 X
D. 267,699 1/1983 Prawl D8/380
D. 323,777 2/1992 Knox, III D8/380
4,984,762 1/1991 Braun et al. 248/216.1

Primary Examiner—Holly Baynham
Attorney, Agent, or Firm—Hodgson, Russ, Andrews, Woods & Goodyear LLP

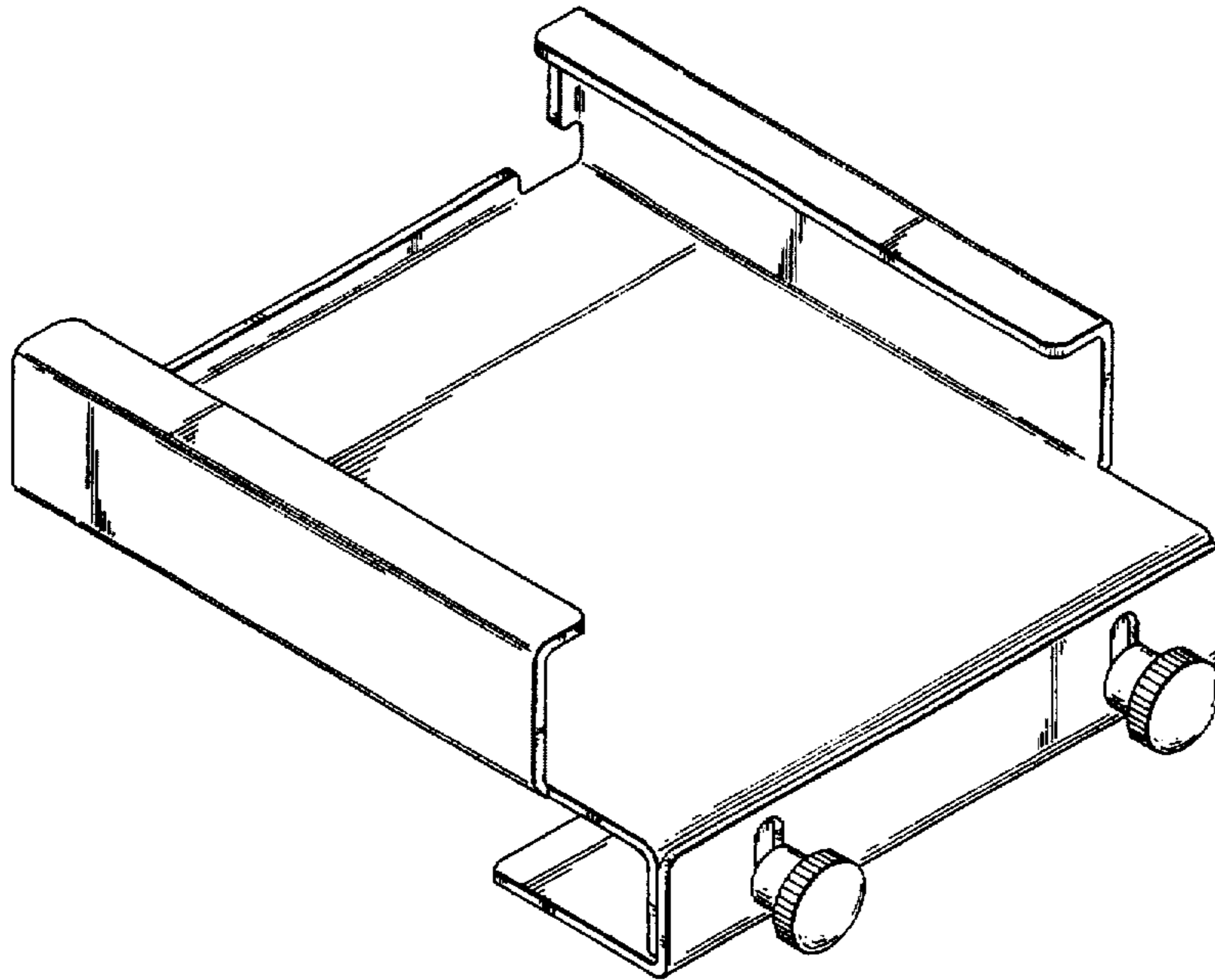
[57] **CLAIM**

The ornamental design for a mounting bracket, as shown and described.

DESCRIPTION

FIG. 1 is a front perspective view of a mounting bracket showing our new design;
FIG. 2 is a top plan view thereof;
FIG. 3 is a bottom plan view thereof;
FIG. 4 is a left side elevational view thereof;
FIG. 5 is a front plan view thereof; and,
FIG. 6 is a rear plan view thereof.

1 Claim, 2 Drawing Sheets



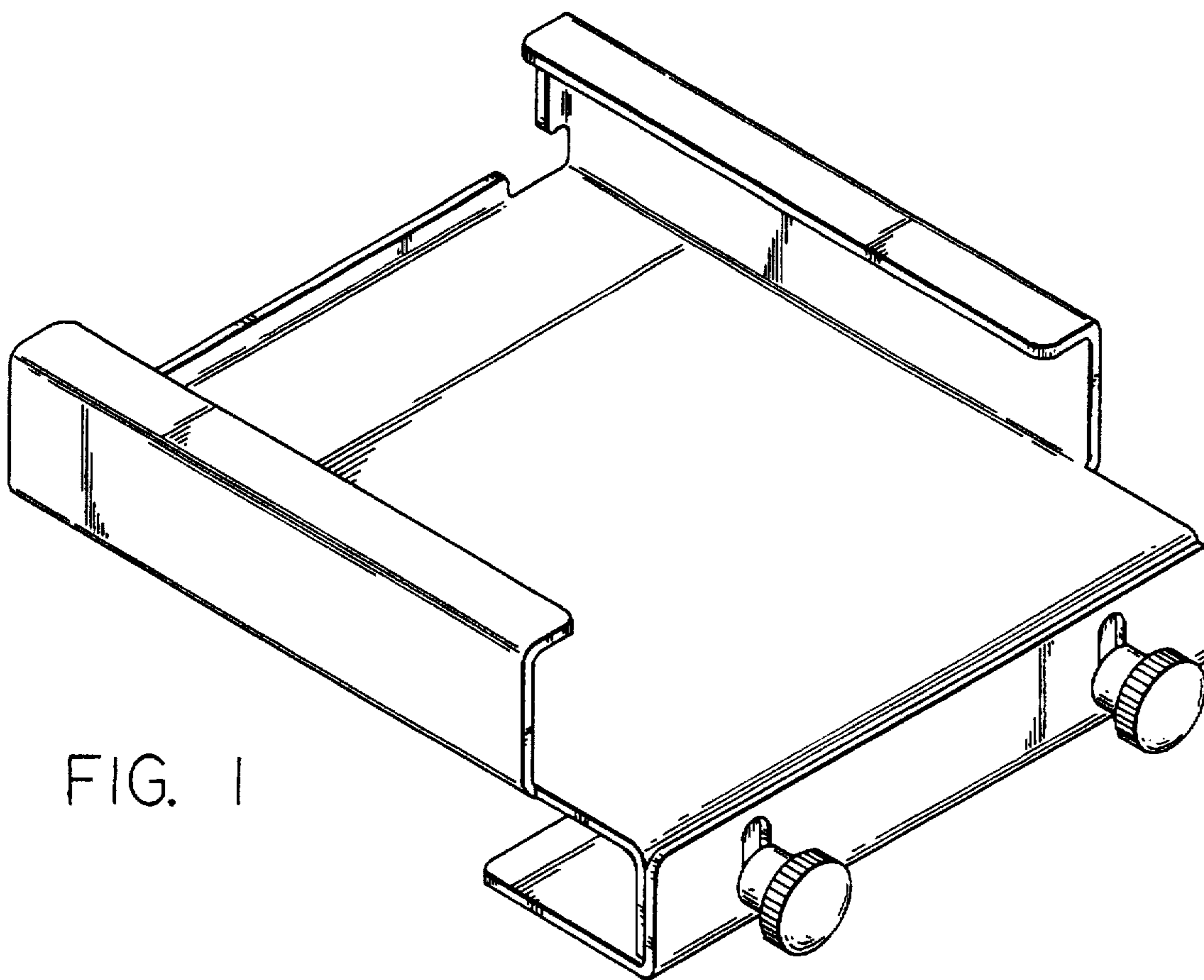


FIG. 1

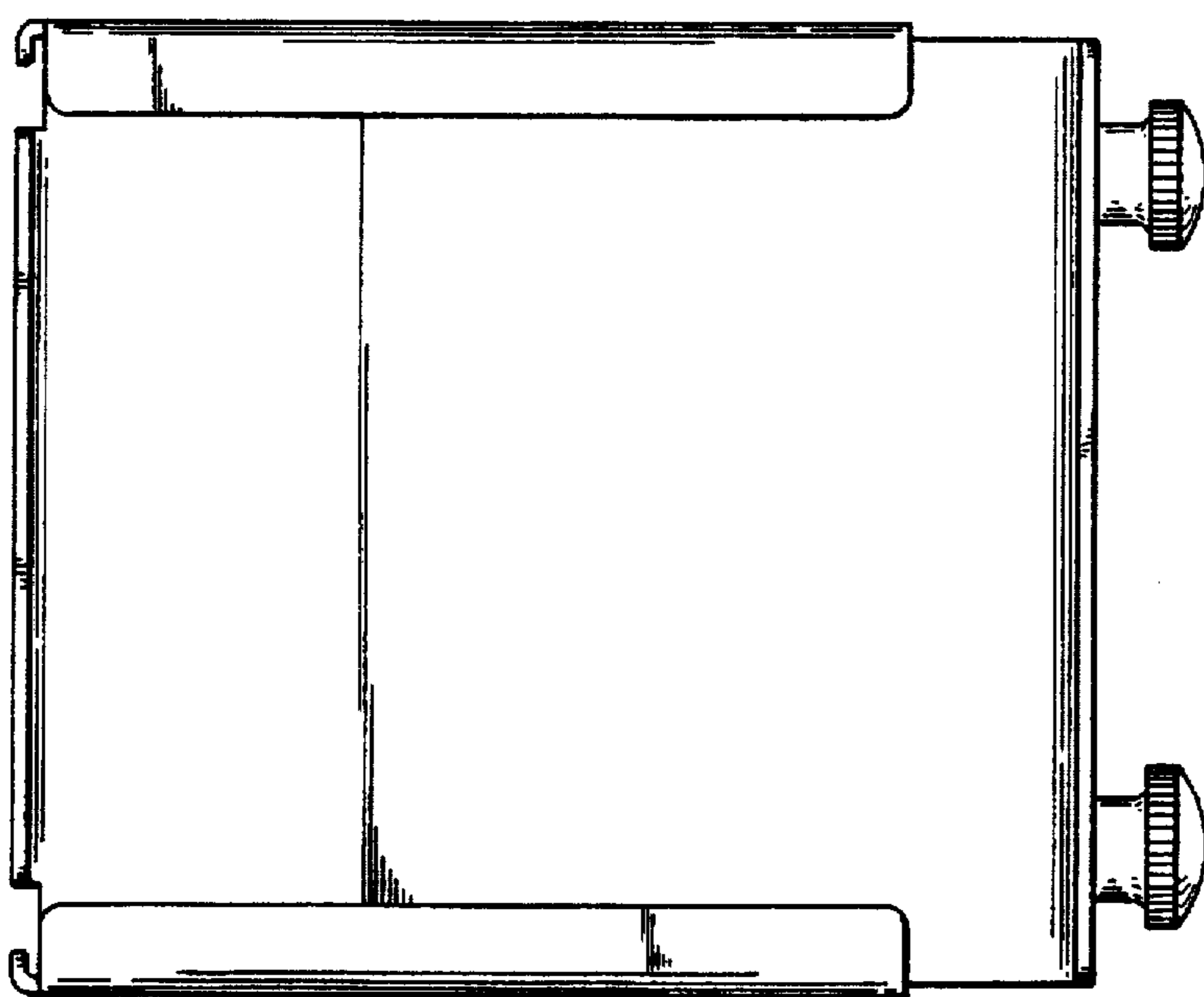


FIG. 2

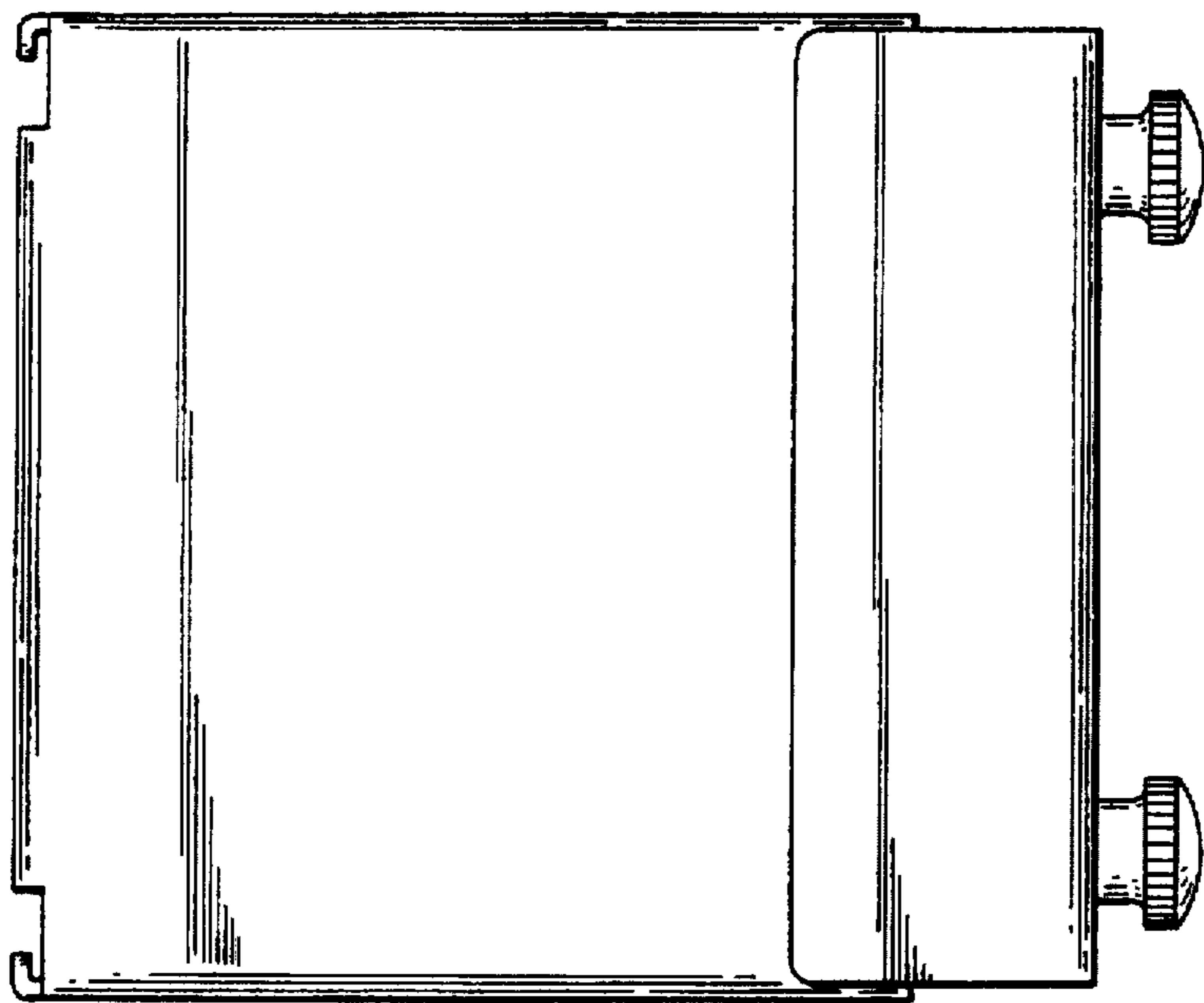


FIG. 3

FIG. 4

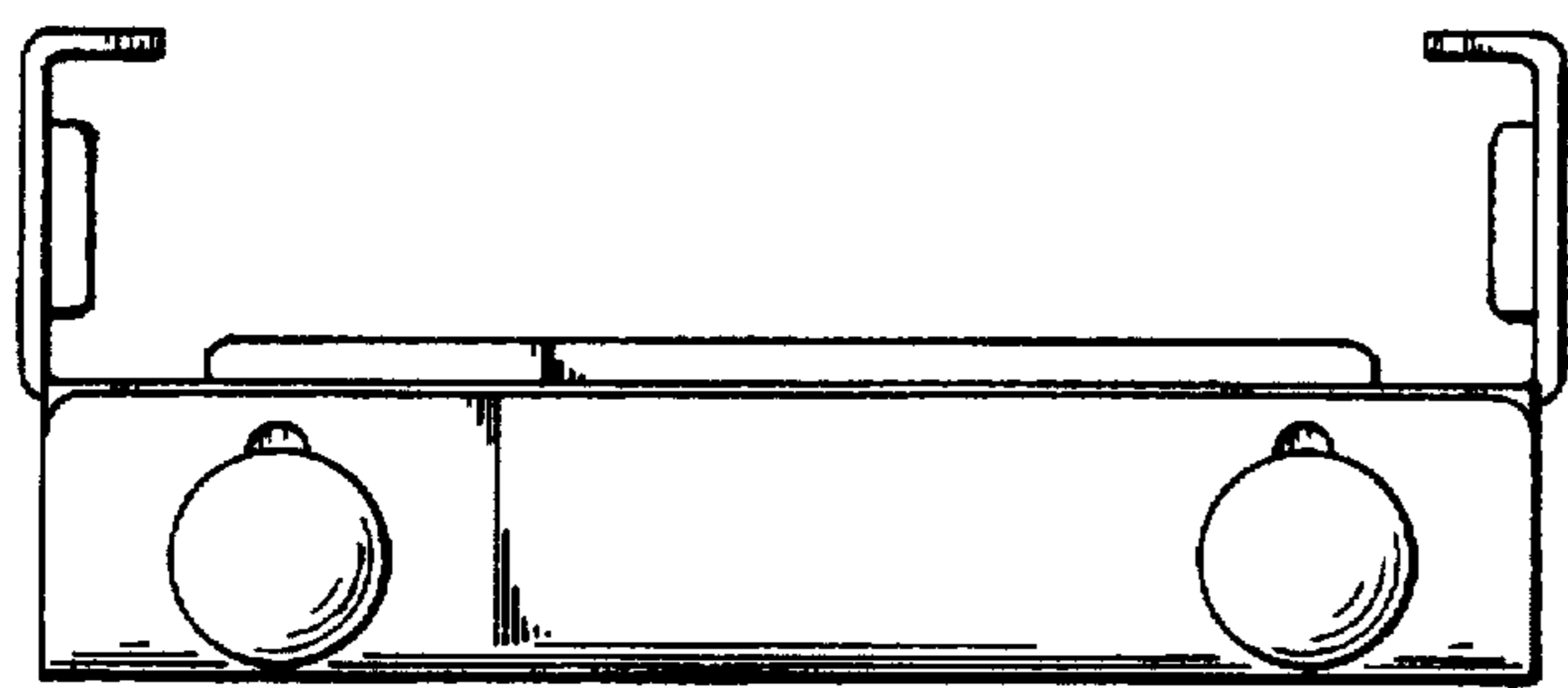
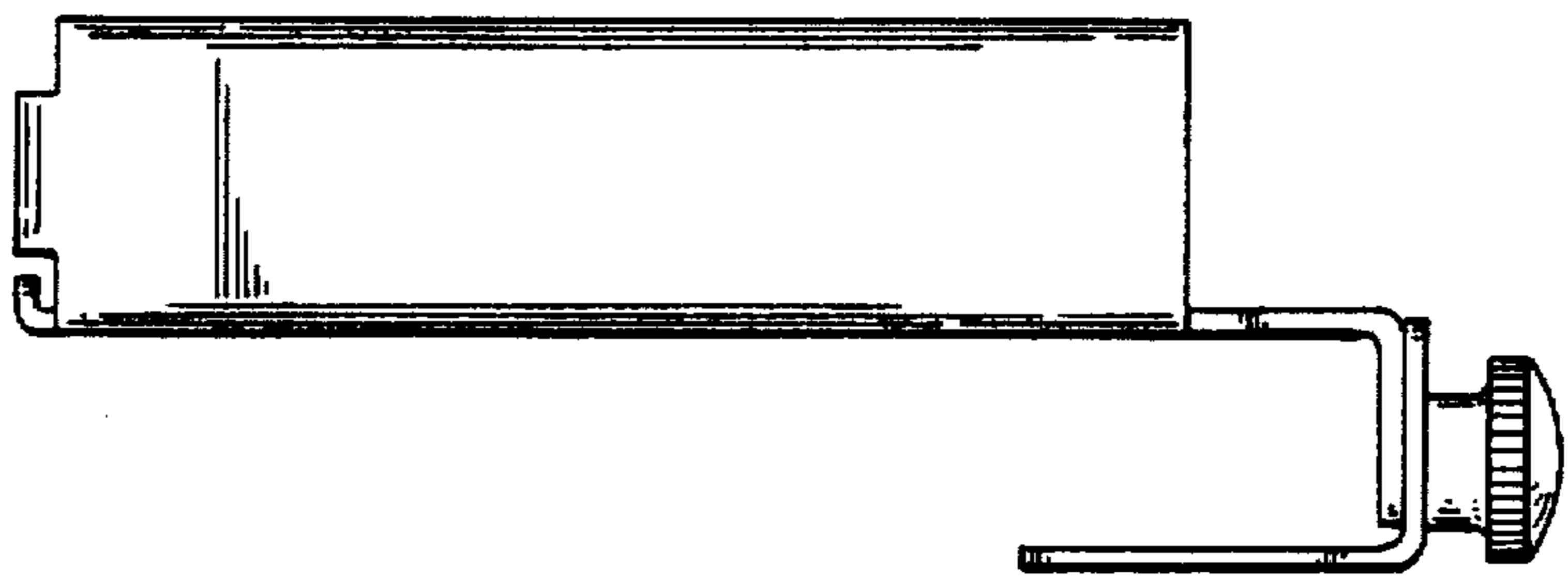


FIG. 5

FIG. 6

