



US00D394369S

United States Patent [19]
Blecker

[11] **Patent Number: Des. 394,369**
[45] **Date of Patent: **May 19, 1998**

[54] **CHEWING GUM DISPENSER**

[76] **Inventor: Douglas Blecker, 320 E. 65th St., Suite 521, New York, N.Y. 10021**

[**] **Term: 14 Years**

[21] **Appl. No.: 71,381**

[22] **Filed: May 29, 1997**

[51] **LOC (6) Cl. 07-01**

[52] **U.S. Cl. D7/629; D3/208**

[58] **Field of Search D7/629; D3/207, D3/208; 206/37.8, 38, 38.1, 39.7, 216, 800**

[56] **References Cited**

U.S. PATENT DOCUMENTS

D. 276,383	11/1984	Hopkins	D3/208
1,598,441	8/1926	Haxton	206/38
5,353,956	10/1994	Wilson	206/800

Primary Examiner—Terry A. Wallace

[57] **CLAIM**

The ornamental design for a chewing gum dispenser, as shown.

DESCRIPTION

FIG. 1 is a front plan view of the chewing gum dispenser of the present invention;

FIG. 2 is a back plan view of the chewing gum dispenser of FIG. 1;

FIG. 3 is a left side plan view of the chewing gum dispenser of FIG. 1;

FIG. 4 is a right side plan view of the chewing gum dispenser of FIG. 1;

FIG. 5 is a top plan view of the chewing gum dispenser of FIG. 1; and,

FIG. 6 is a bottom plan view of the chewing gum dispenser of FIG. 1.

1 Claim, 3 Drawing Sheets

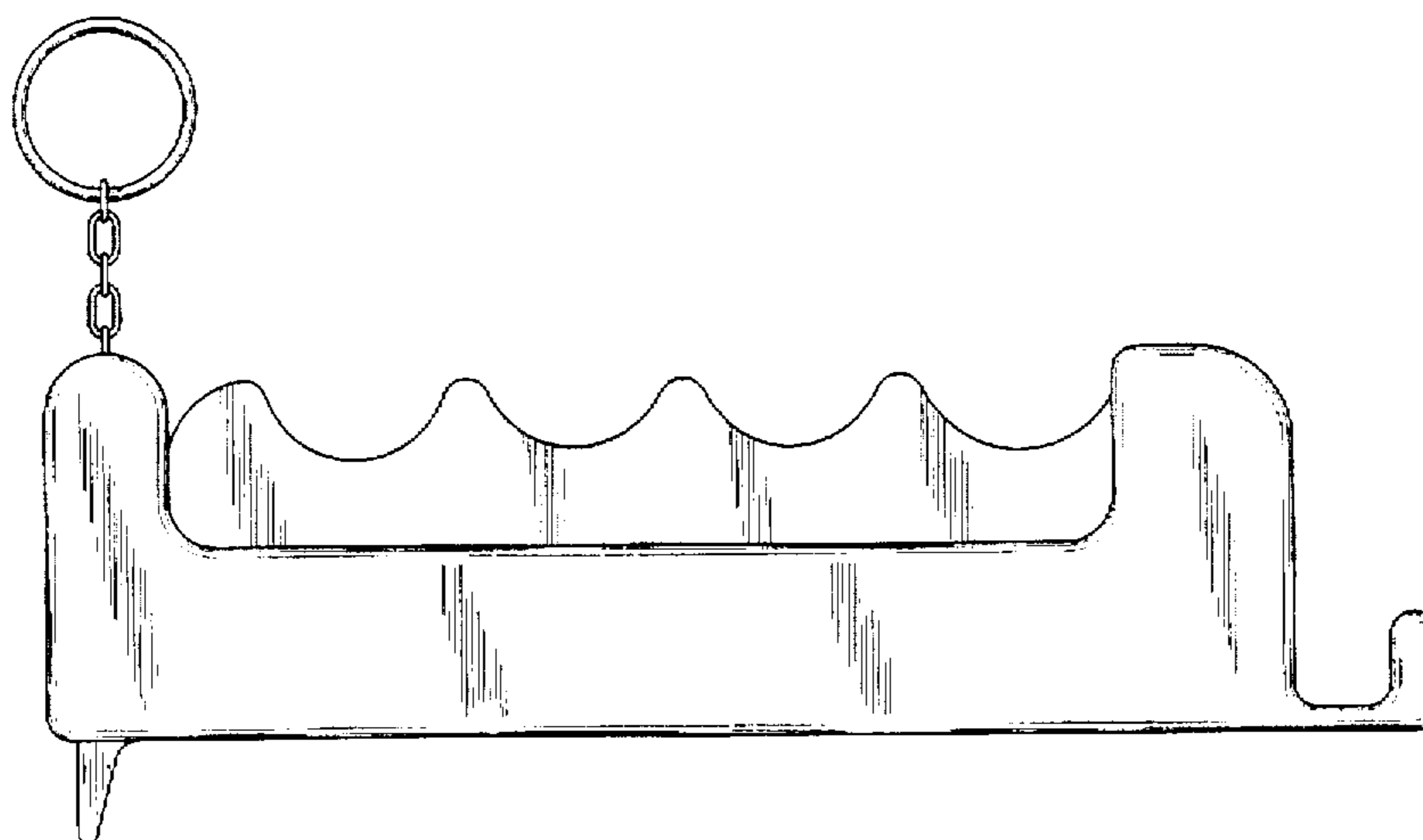


FIG. 1

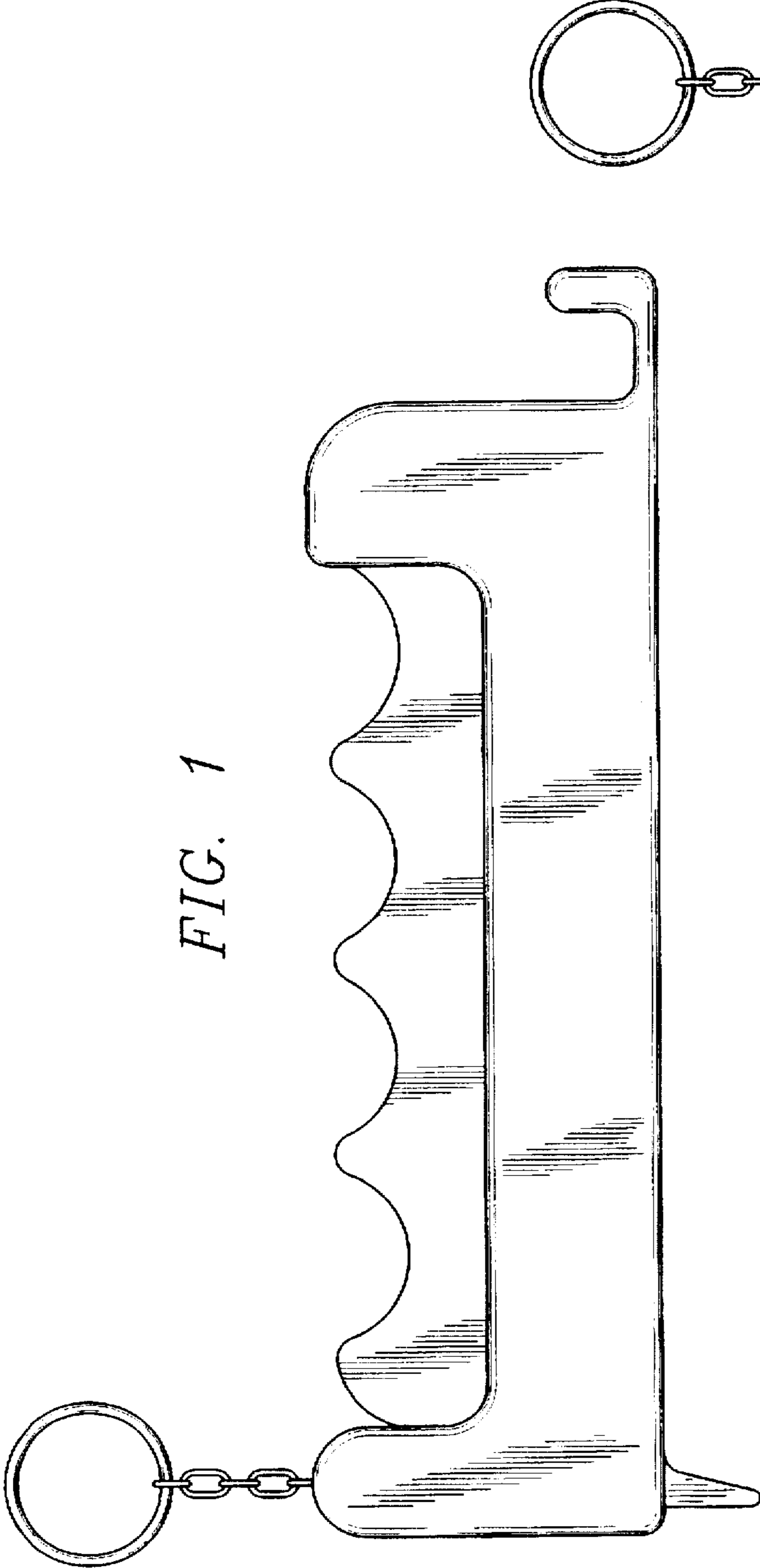


FIG. 2

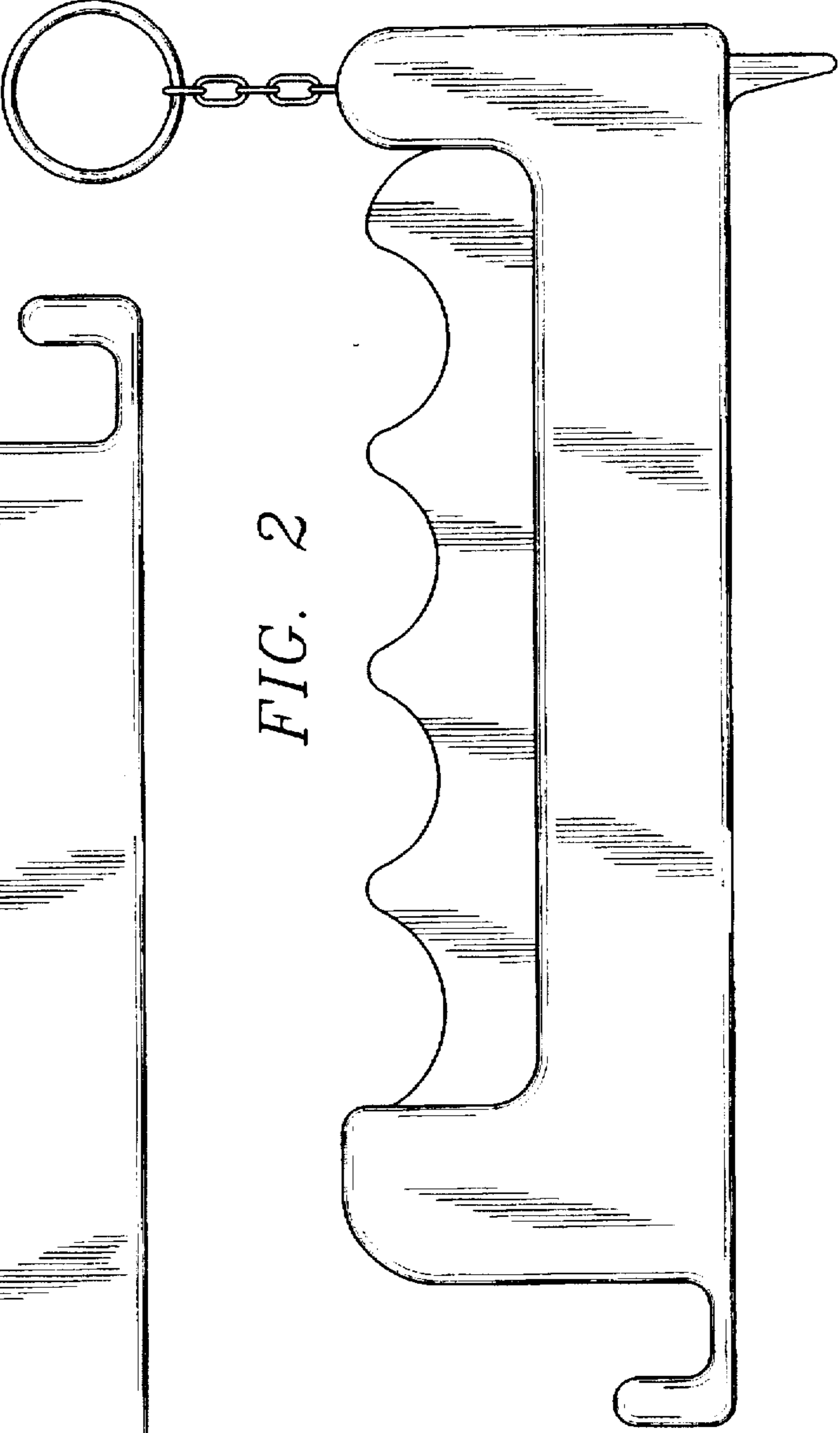


FIG. 3

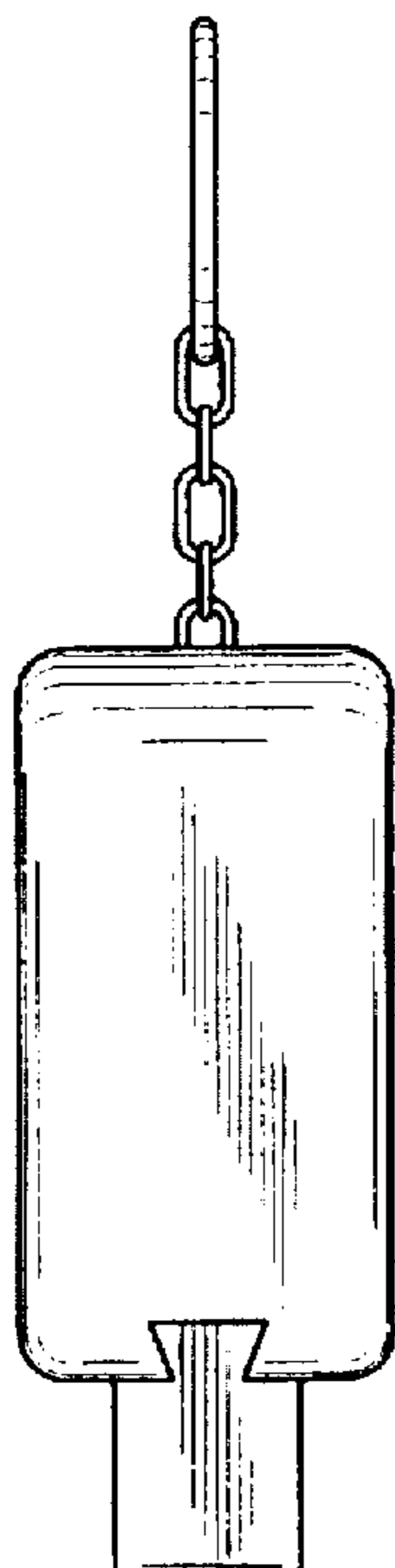


FIG. 4

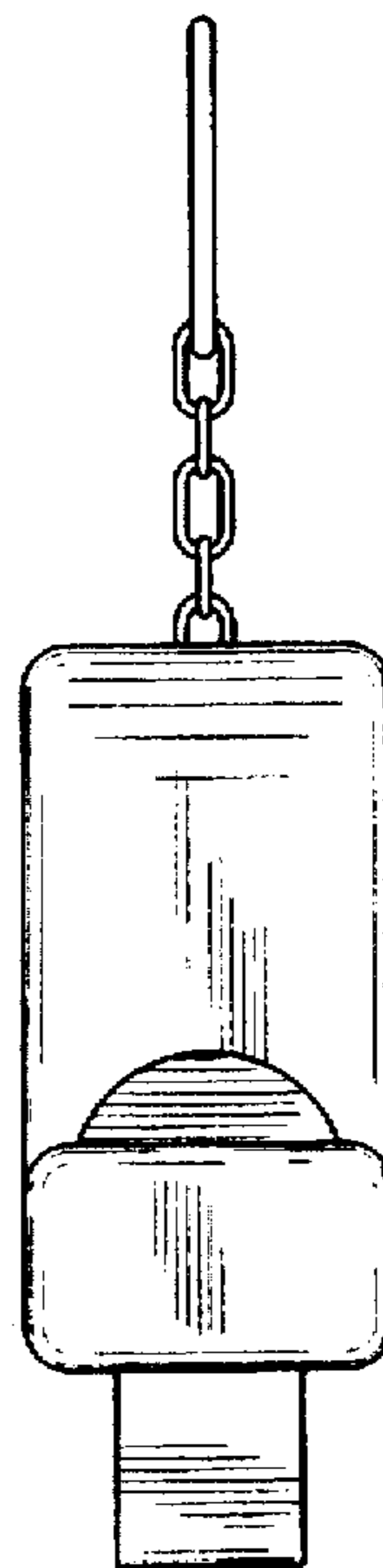


FIG. 5

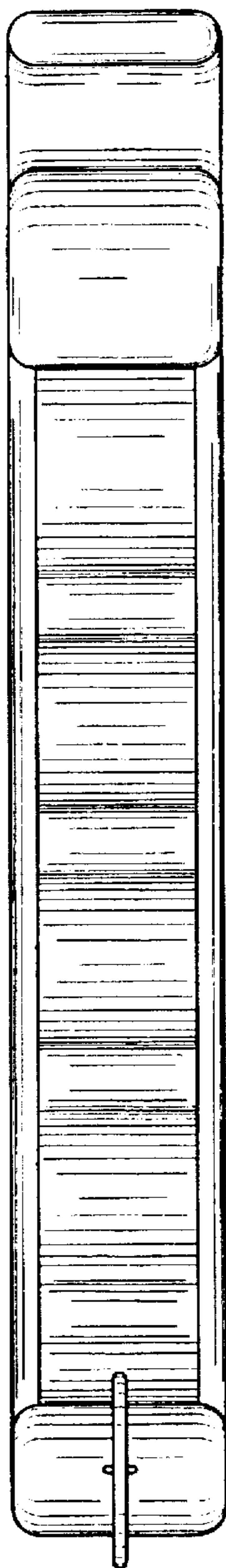


FIG. 6

