



US00D394367S

United States Patent [19]

[11] **Patent Number: Des. 394,367**

Littmann

[45] **Date of Patent: **May 19, 1998**

[54] **HAND HELD ELECTRIC KITCHEN MACHINE**

D. 277,924	3/1985	Kafka	D7/412
D. 327,603	7/1992	Van Asten	D7/376
D. 345,076	3/1994	Saltet	D7/376
D. 361,241	8/1995	Littmann	D7/376

[75] **Inventor: Ludwig Littmann, Kronberg, Germany**

[73] **Assignee: Braun Aktiengesellschaft, Frankfurt am Main, Germany**

Primary Examiner—Caron D. Veynar
Attorney, Agent, or Firm—Fish & Richardson P.C.

[**] **Term: 14 Years**

[57] **CLAIM**

[21] **Appl. No.: 75,621**

The ornamental design for a hand held electric kitchen machine, as shown and described.

[22] **Filed: Sep. 3, 1997**

DESCRIPTION

[30] **Foreign Application Priority Data**

Apr. 2, 1997 [XH] Hague Agreement DMA/003669

FIG. 1 is a right side and front perspective view of a hand held electric kitchen machine showing my new design;
FIG. 2 is a front view of the appliance of FIG. 1;
FIG. 3 is a right side view of the appliance of FIG. 2;
FIG. 4 is a left side view of the appliance of FIG. 2;
FIG. 5 is a rear view of the appliance of FIG. 2;
FIG. 6 is a top plan view of the appliance of FIG. 2; and,
FIG. 7 is a bottom plan view of the appliance of FIG. 2.

[51] **LOC (6) Cl. 31-00**

[52] **U.S. Cl. D7/379; D7/376**

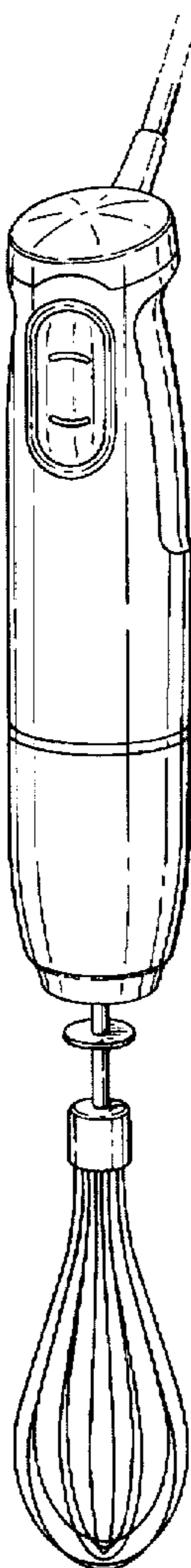
[58] **Field of Search D7/376-386, 413; 366/129, 130, 197, 199, 204, 205, 314**

[56] **References Cited**

U.S. PATENT DOCUMENTS

D. 271,176 11/1983 Zimnowicz D7/379

1 Claim, 4 Drawing Sheets



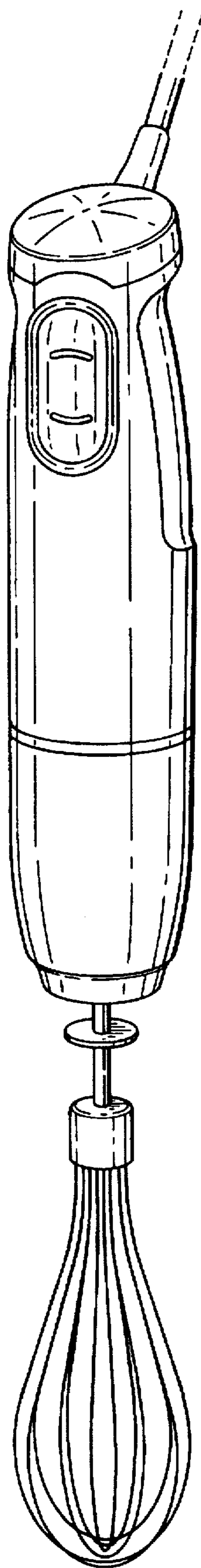


Fig. 1

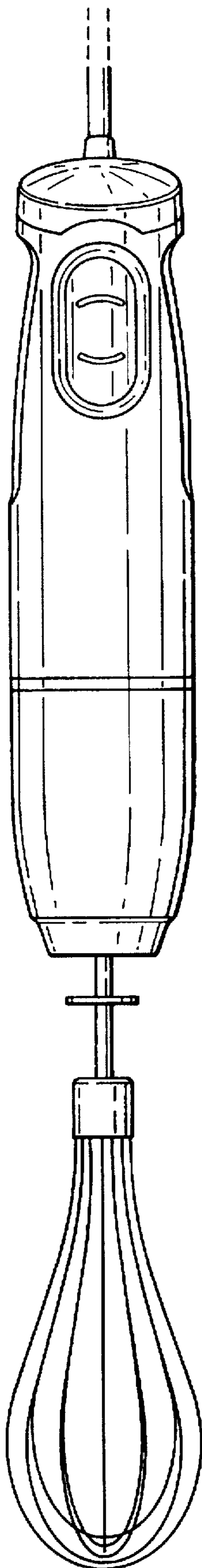


Fig. 2

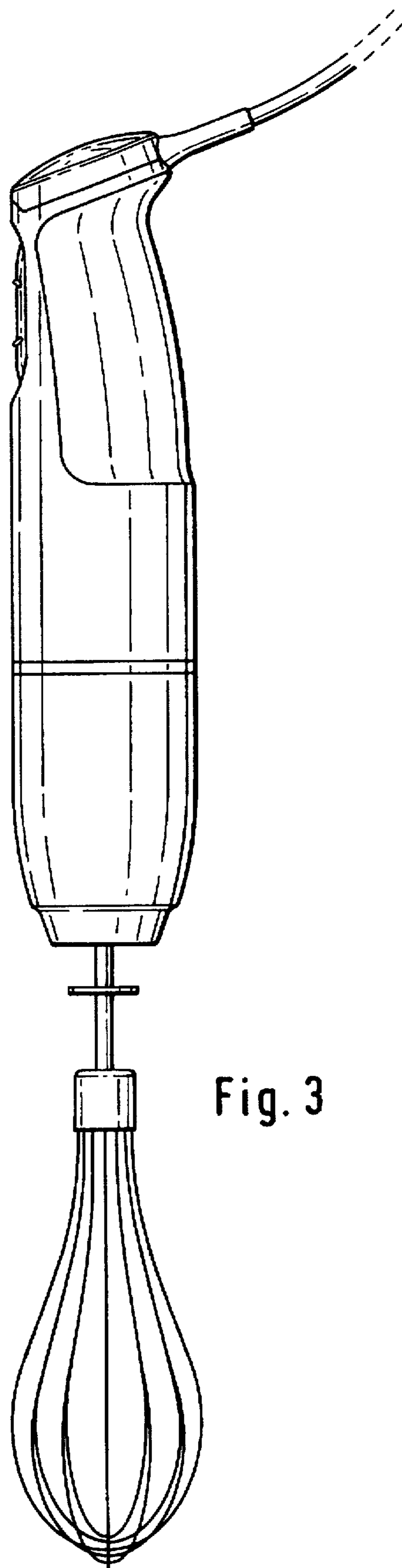


Fig. 3

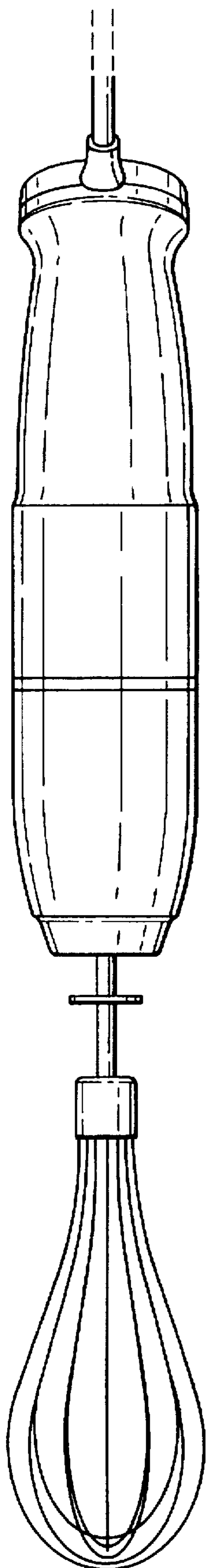


Fig. 5

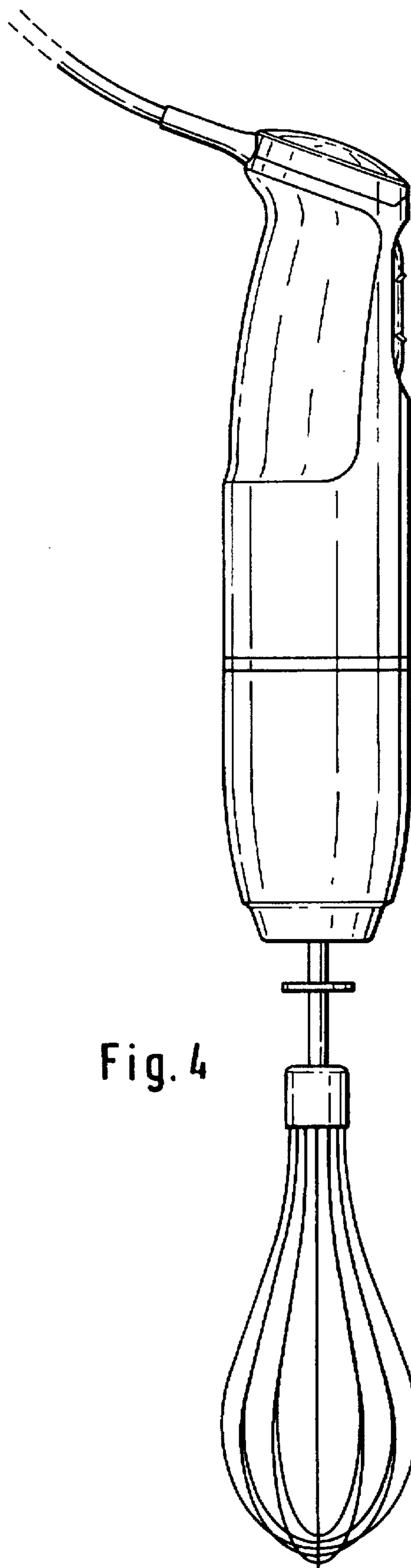


Fig. 4

Fig. 6

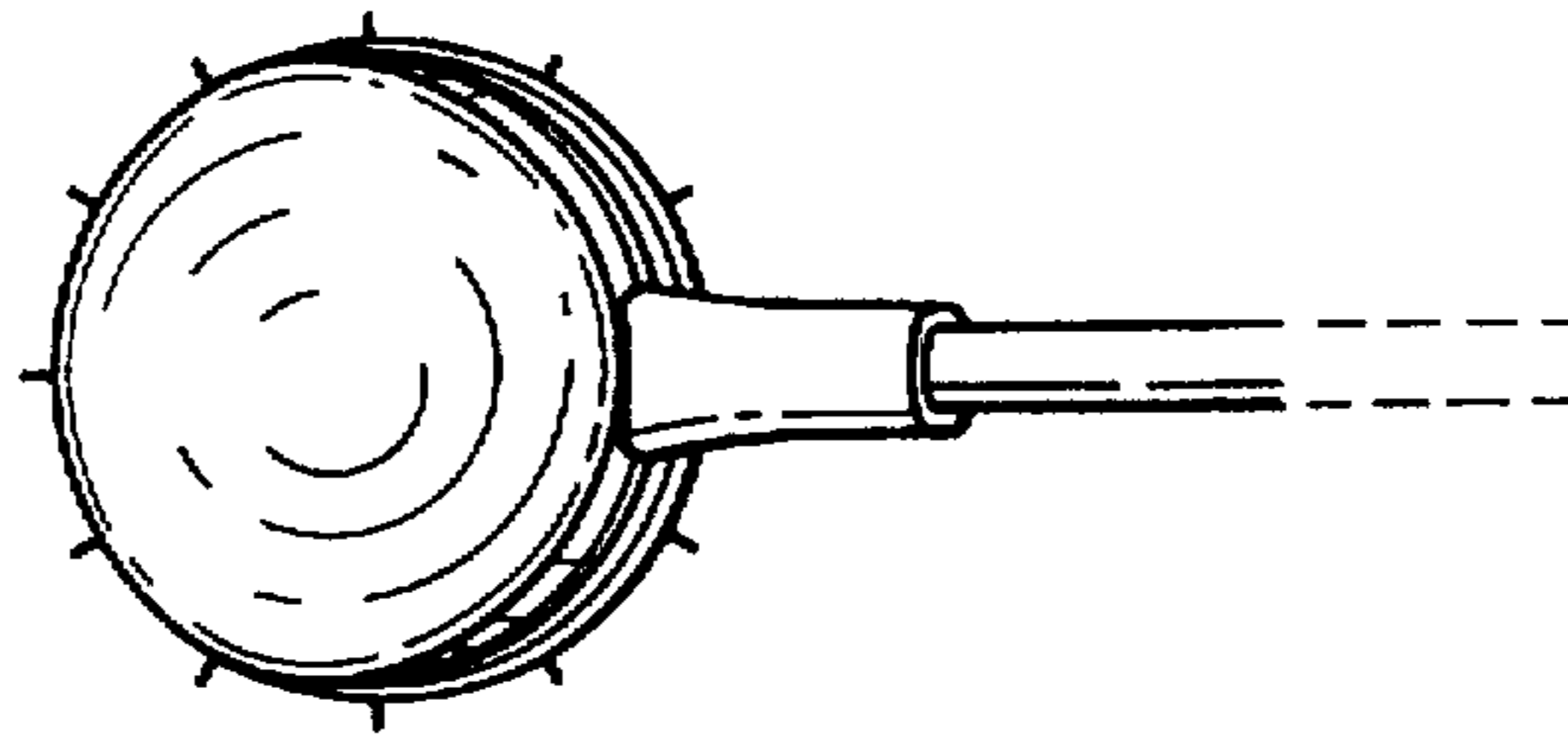


Fig. 7

