



US00D394365S

United States Patent [19]

[11] Patent Number: Des. 394,365

St.-Pierre et al.

[45] Date of Patent: **May 19, 1998

[54] CIGARETTE PACK DISPLAY UNIT

[75] Inventors: **Yvon St.-Pierre; Andre Dubeau; Roch Cyr**, all of Montreal, Canada

[73] Assignee: **Imperial Tobacco Limited**, Montreal, Canada

[**] Term: **14 Years**

[21] Appl. No.: **59,867**

[22] Filed: **Sep. 17, 1996**

[30] Foreign Application Priority Data

Jun. 20, 1996 [CA] Canada 1429

[51] LOC (6) Cl. **06-04**

[52] U.S. Cl. **D6/571; D6/574**

[58] Field of Search D6/570, 571, 567, D6/574, 553, 512; 312/198; 108/59, 60, 92; 211/59.2, 90.01, 86, 87, 88, 134, 135, 187, 188; D7/590, 601; D20/42

[56] References Cited

U.S. PATENT DOCUMENTS

- D. 83,798 3/1931 Gibson .
- D. 142,952 11/1945 Ford .
- D. 148,607 2/1948 Broadbent .
- D. 174,377 4/1955 Dossman D6/571
- D. 177,737 5/1956 King et al. .
- D. 178,575 8/1956 Hanson D6/571
- D. 195,492 6/1963 Behne D6/570
- D. 218,322 8/1970 Smith D6/571
- D. 234,172 1/1975 Ranney .

- D. 256,199 8/1980 Burke et al. .
- D. 267,383 12/1982 Liptak et al. .
- D. 274,487 7/1984 Eads et al. D6/553 X
- D. 279,638 7/1985 Kellogg .
- D. 281,477 11/1985 Neff .
- D. 323,766 2/1992 Robbins et al. D6/574 X
- D. 358,049 5/1995 Wilson .
- 2,900,667 8/1959 Longenecker 211/135 X
- 3,948,191 4/1976 Hatherley 211/90.01 X
- 4,121,377 10/1978 Allen et al. 108/59 X
- 4,335,765 6/1982 Murphy 108/92 X
- 5,114,022 5/1992 Rood 108/92 X

FOREIGN PATENT DOCUMENTS

- 46362 12/1979 Canada .
- 50738 11/1983 Canada .

Primary Examiner—Pamela J. Burgess
Attorney, Agent, or Firm—Beveridge, DeGrandi, Weilacher & Young LLP

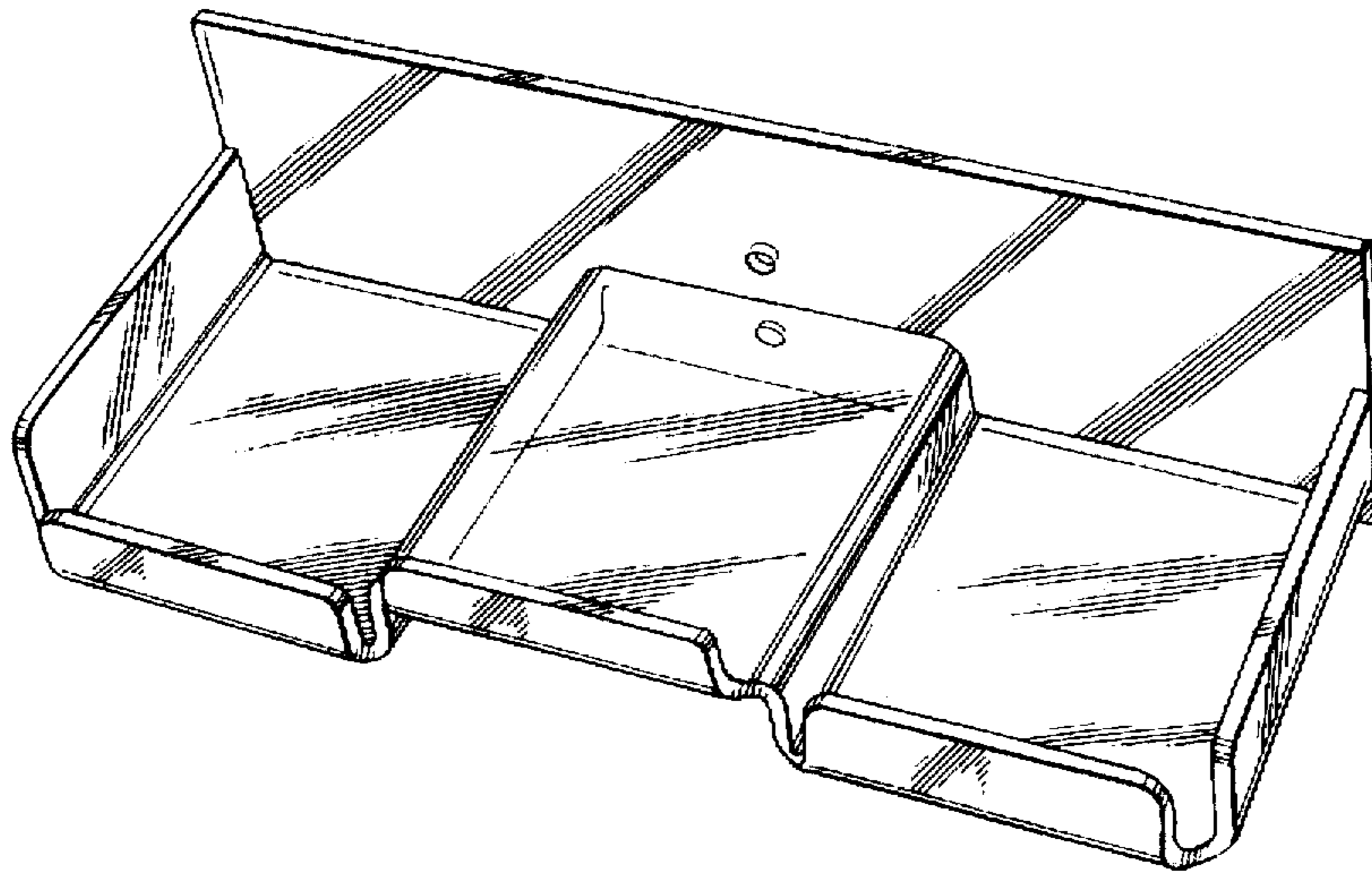
[57] CLAIM

The ornamental design for a cigarette pack display unit, as shown and described.

DESCRIPTION

FIG. 1 is a top perspective view from the front and one side of the cigarette pack display unit of the invention; FIG. 2 is a front elevational view thereof; FIG. 3 is a rear elevational view thereof; FIG. 4 is a plan view thereof; FIG. 5 is an underneath plan view thereof; and FIG. 6 is a right side elevational view thereof, the left side elevational view being a mirror image thereof.

1 Claim, 3 Drawing Sheets



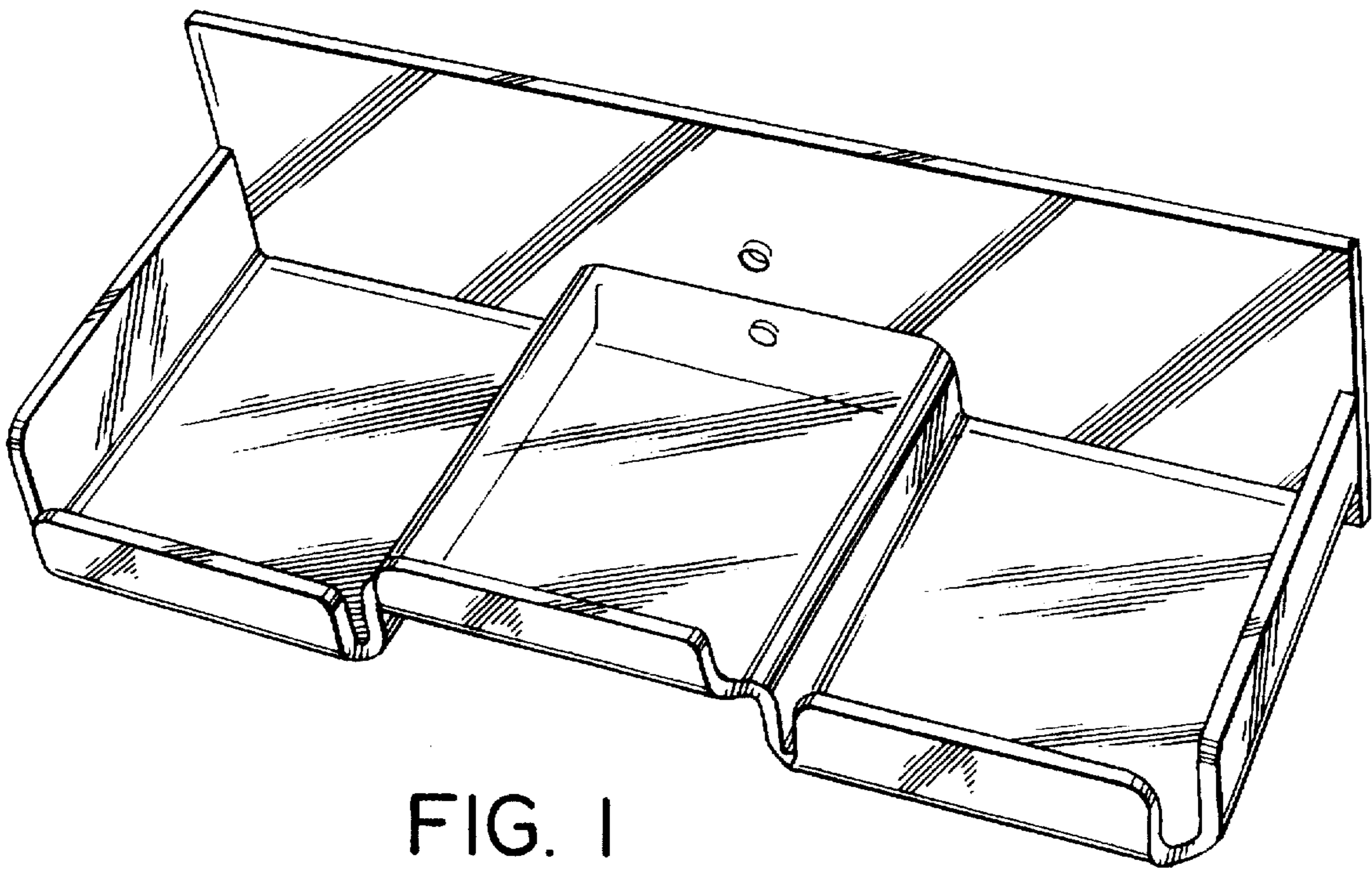


FIG. 1

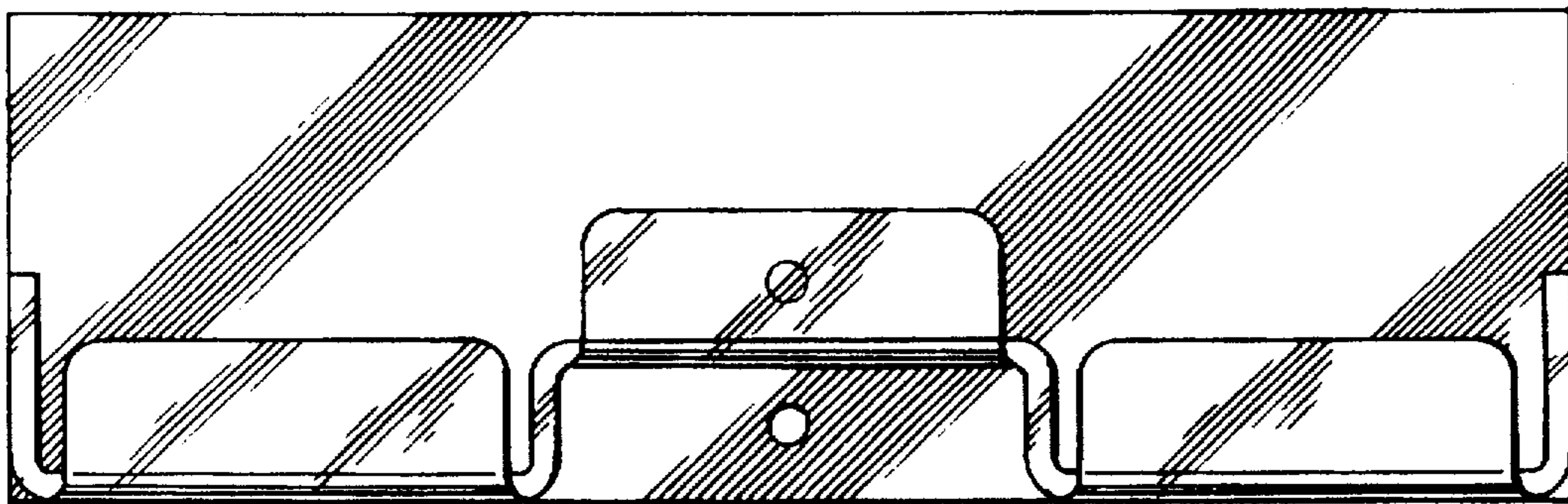


FIG. 2

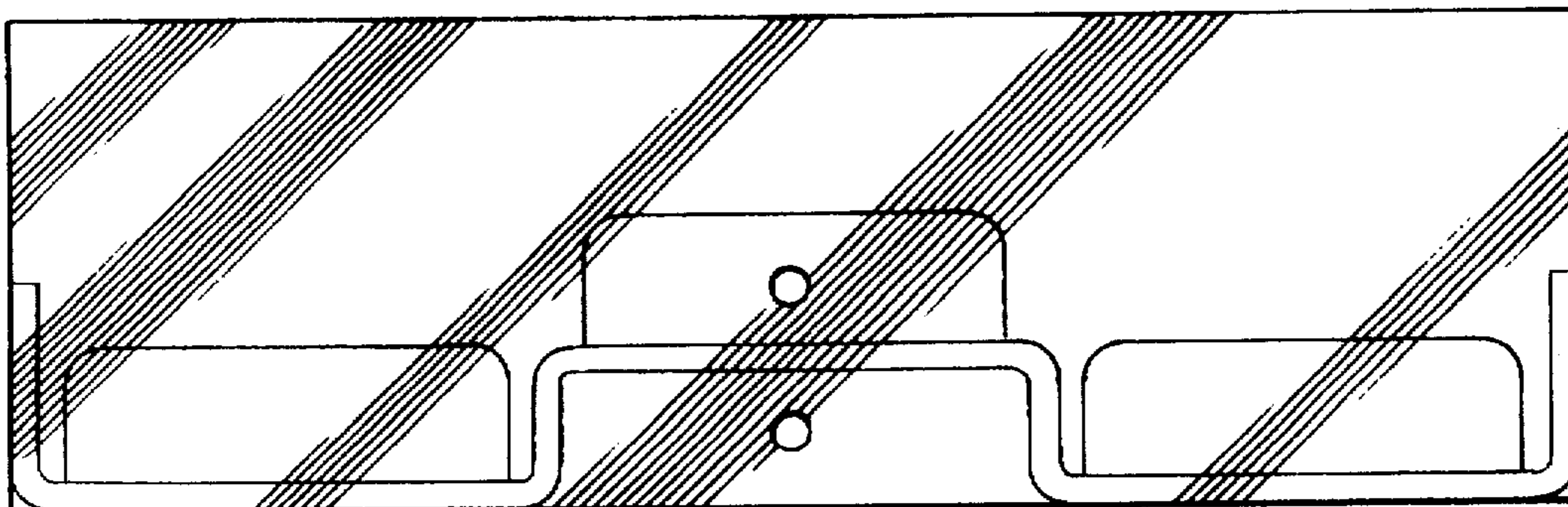


FIG. 3

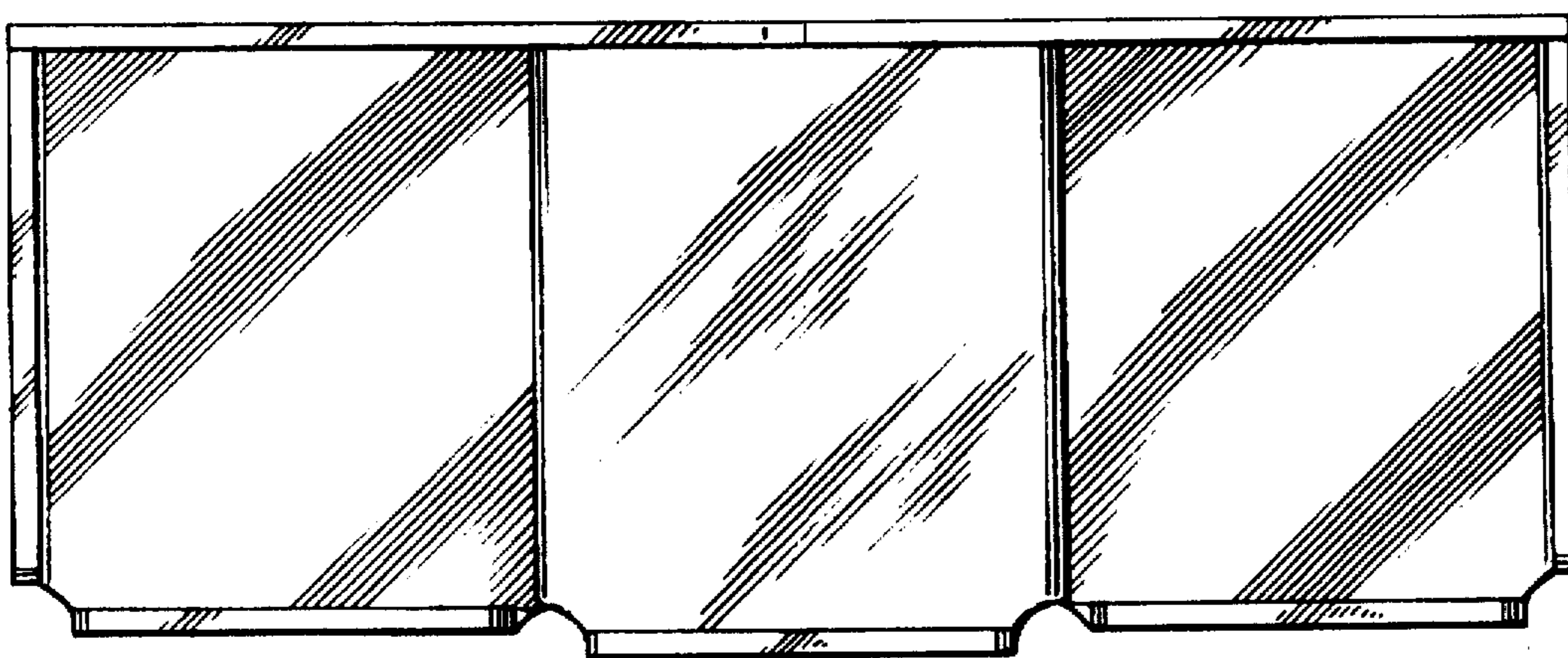


FIG. 4

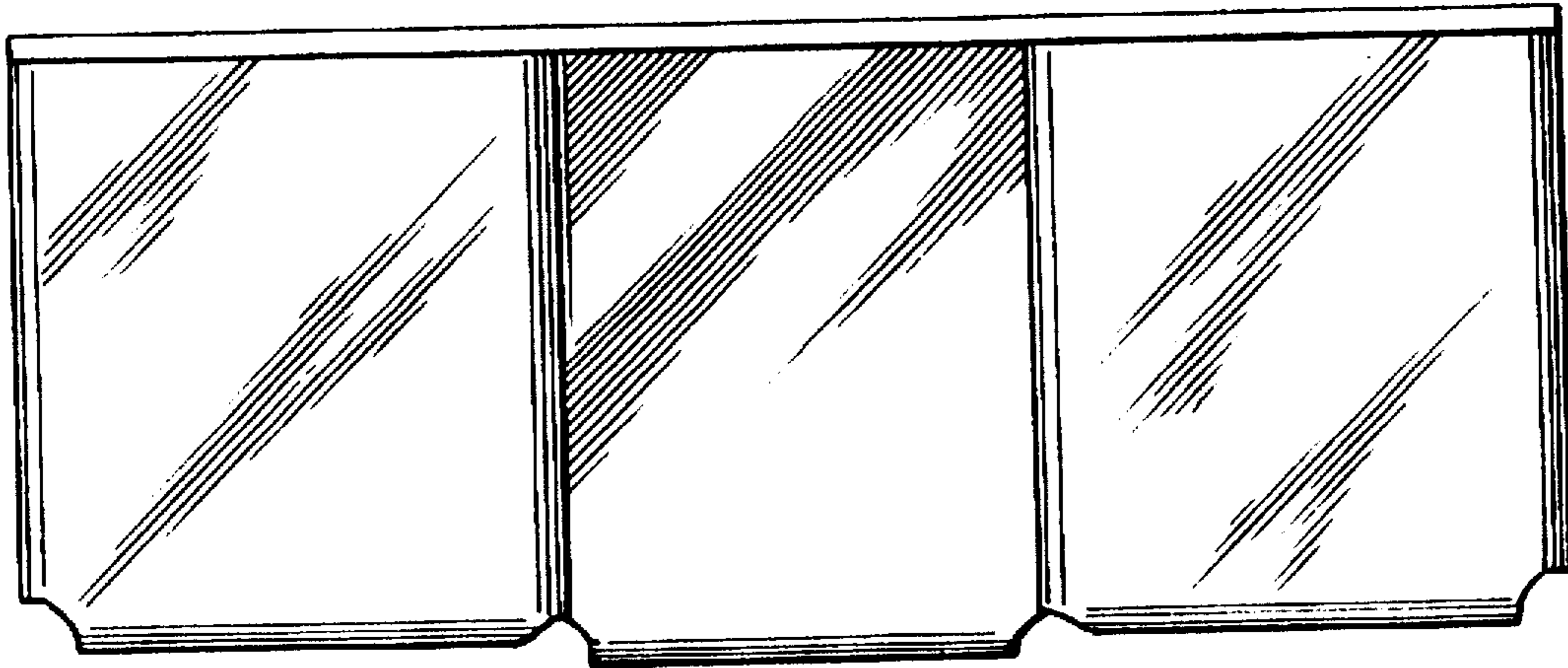


FIG. 5

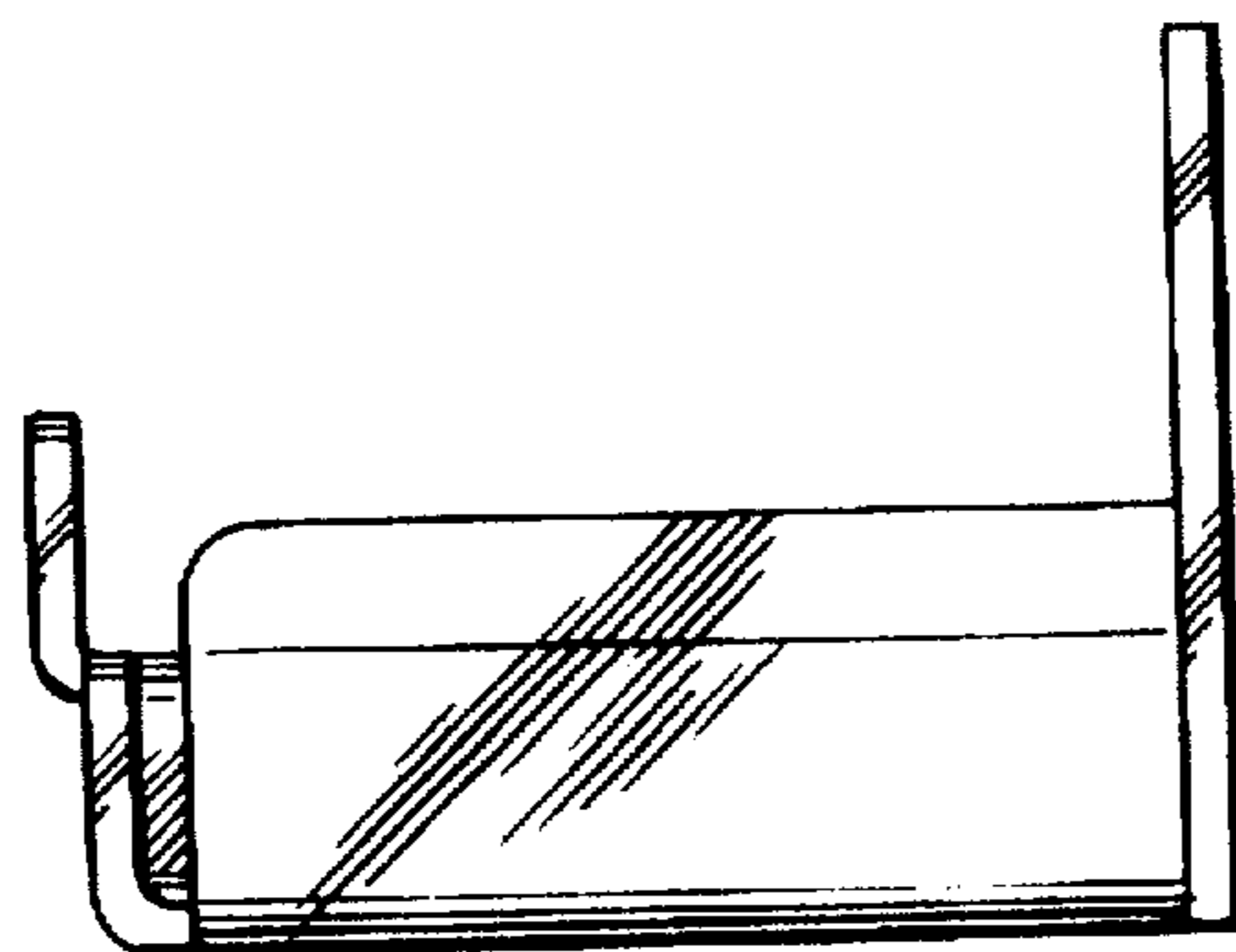


FIG. 6