

US00D394364S

United States Patent [19]

[11] Patent Number: **Des. 394,364**

Kato

[45] Date of Patent: ****May 19, 1998**

[54] **TOILET SOAP HOLDER WITH ROTATABLE DOOR SOAP DISH**

[75] Inventor: **Taro Kato**, Sao Paulo, Brazil

[73] Assignee: **Cris-Metal Moveis Para Banheiro, Ltda.**, San Paulo, Brazil

[**] Term: **14 Years**

[21] Appl. No.: **72,559**

[22] Filed: **Jun. 19, 1997**

[51] LOC (6) Cl. **06-04**

[52] U.S. Cl. **D6/536**

[58] Field of Search D6/524, 515, 518-523, D6/536-540; 242/595, 137; 211/87, 13.01, 90.01; 206/64, 389; 221/191; 312/242, 129; 220/476, 477

[56] **References Cited**

U.S. PATENT DOCUMENTS

D. 215,099	9/1969	Svabek, Jr. et al.	D6/524
D. 235,398	6/1975	Tegner	D6/523
D. 254,412	3/1980	Knight	D6/523
D. 292,546	11/1987	Tegner	D6/523
D. 300,703	4/1989	Miels	D6/523
3,586,162	6/1971	Townsend	242/137
4,114,824	9/1978	Danielak	242/595

Primary Examiner—Pamela Burgess
Attorney, Agent, or Firm—Lackenbach Siegel Marzullo Aronson & Greenspan

[57] **CLAIM**

The ornamental design for a toilet soap holder with rotatable door soap dish, as shown and described.

DESCRIPTION

FIG. 1 is a front perspective view of a toilet soap holder with rotatable door soap dish showing my new design in a fully closed position;

FIG. 2 is a front perspective view thereof, in a fully opened position;

FIG. 3 is a front elevational view thereof in a fully closed position;

FIG. 4 is a front elevational view thereof in a fully opened position;

FIG. 5 is a left side elevational view thereof in a fully closed position;

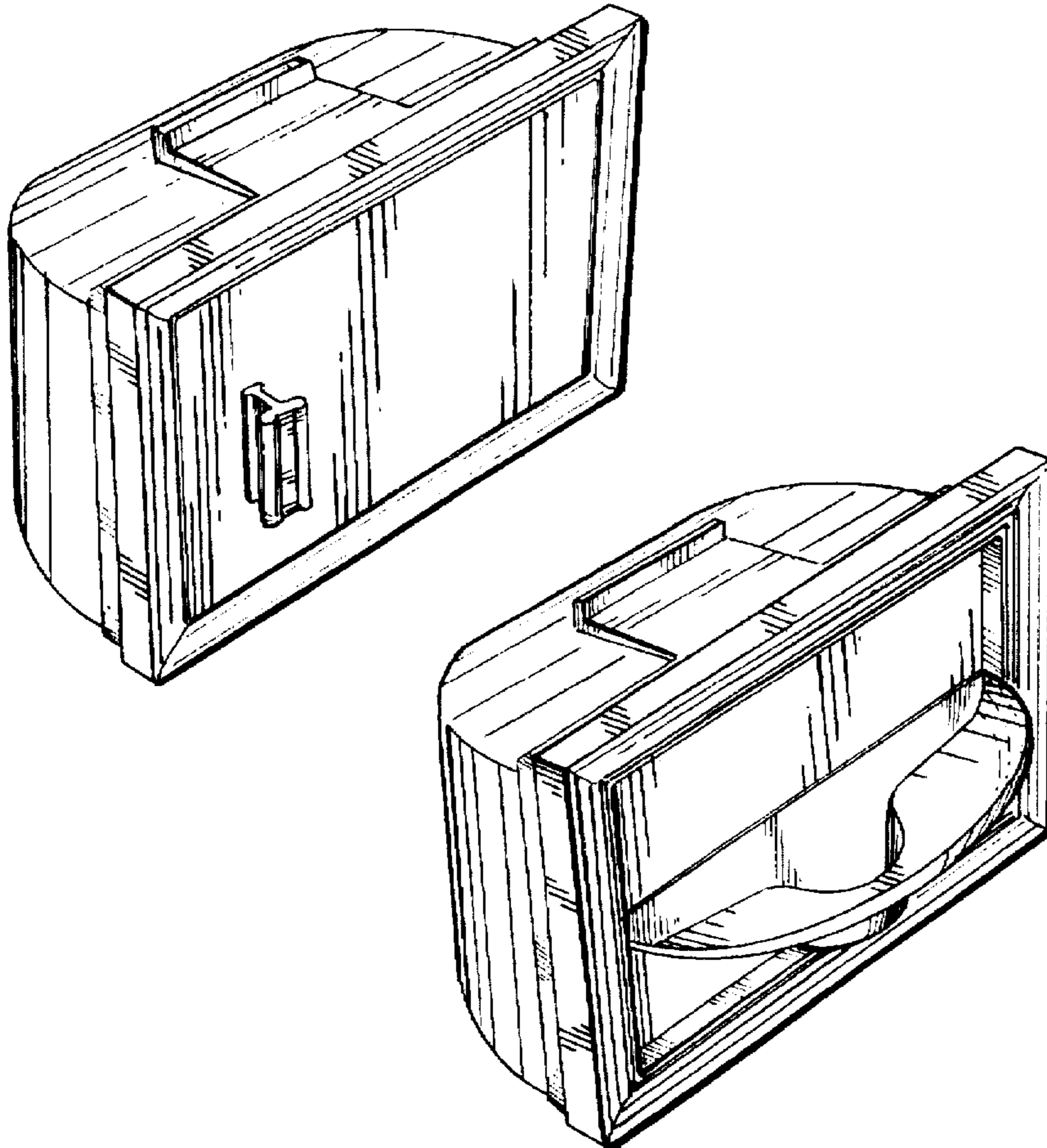
FIG. 6 is a left side elevational view thereof in a fully opened position;

FIG. 7 is a atop plan view thereof in a fully closed position;

FIG. 8 is a bottom plan view thereof; and,

FIG. 9 is a right side elevational view thereof in a fully opened position.

1 Claim, 3 Drawing Sheets



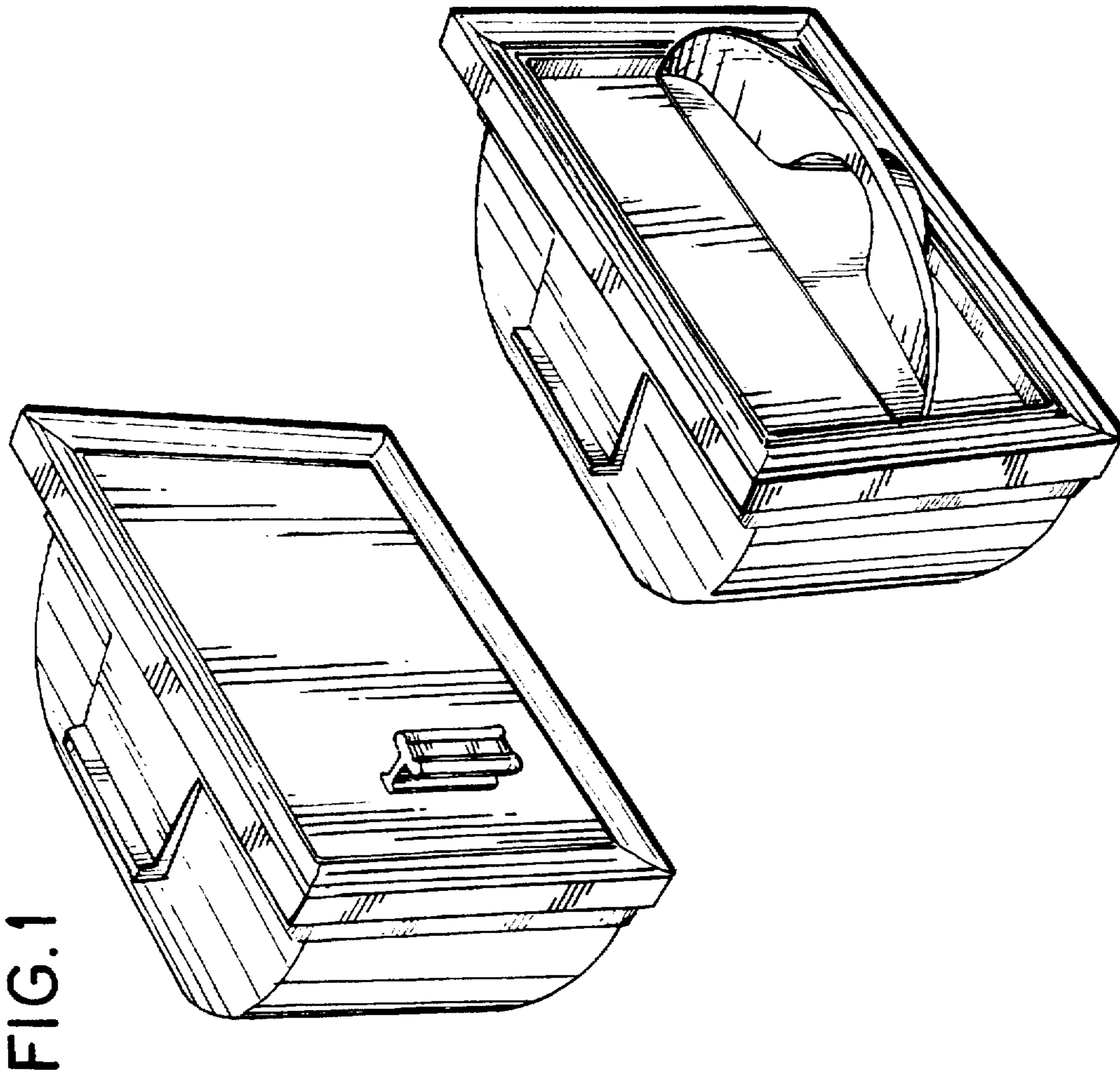


FIG. 1

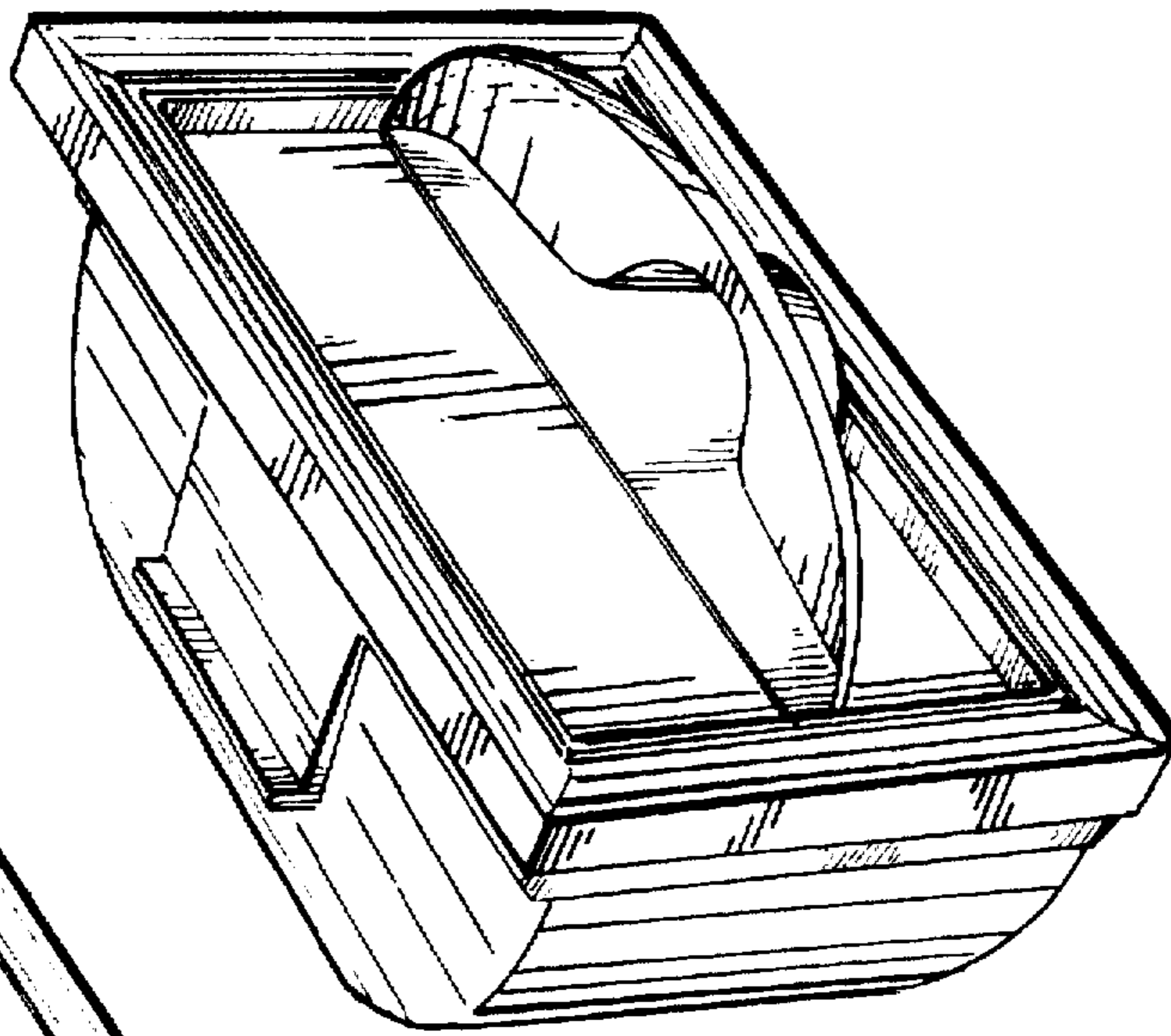


FIG. 2

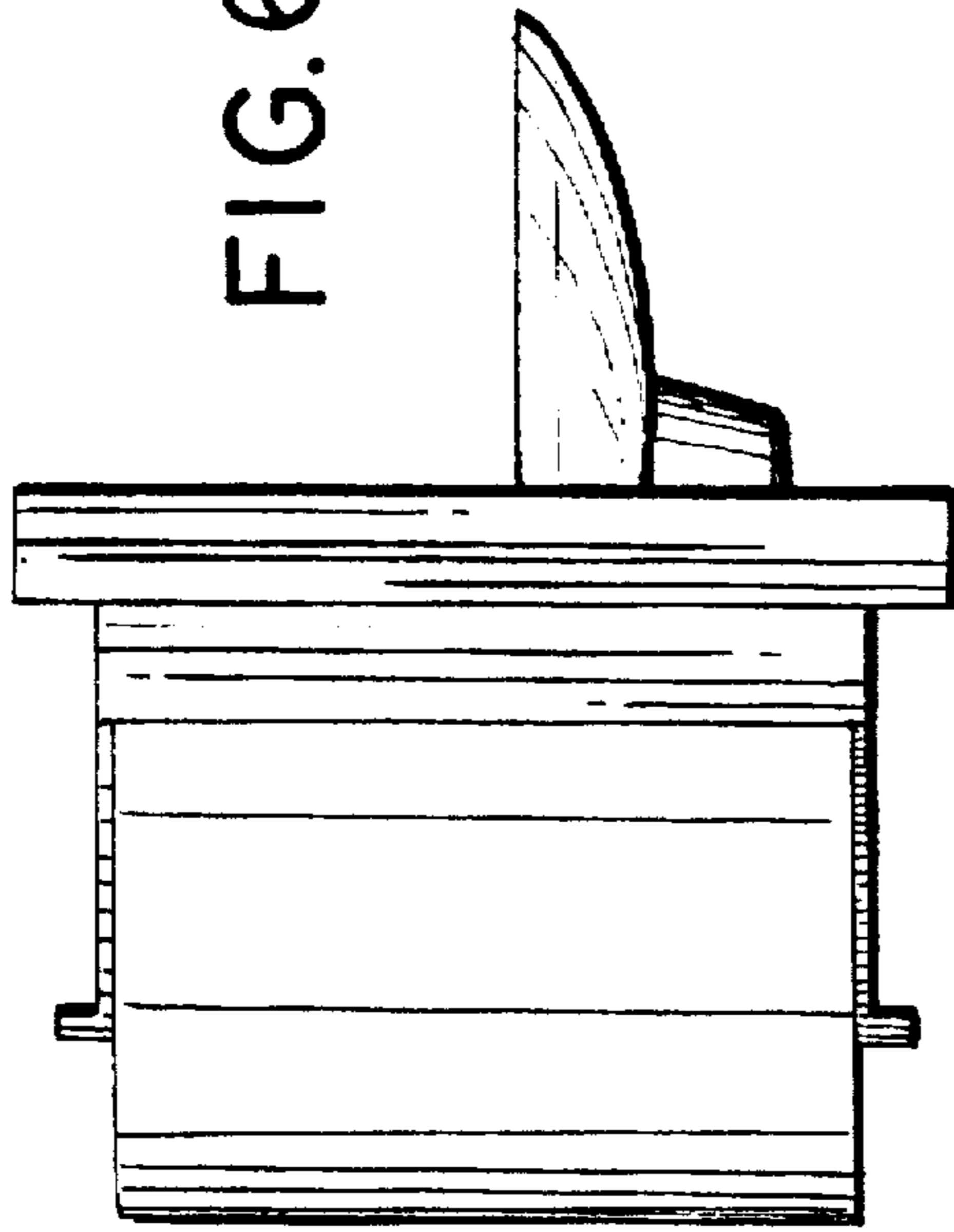


FIG. 5

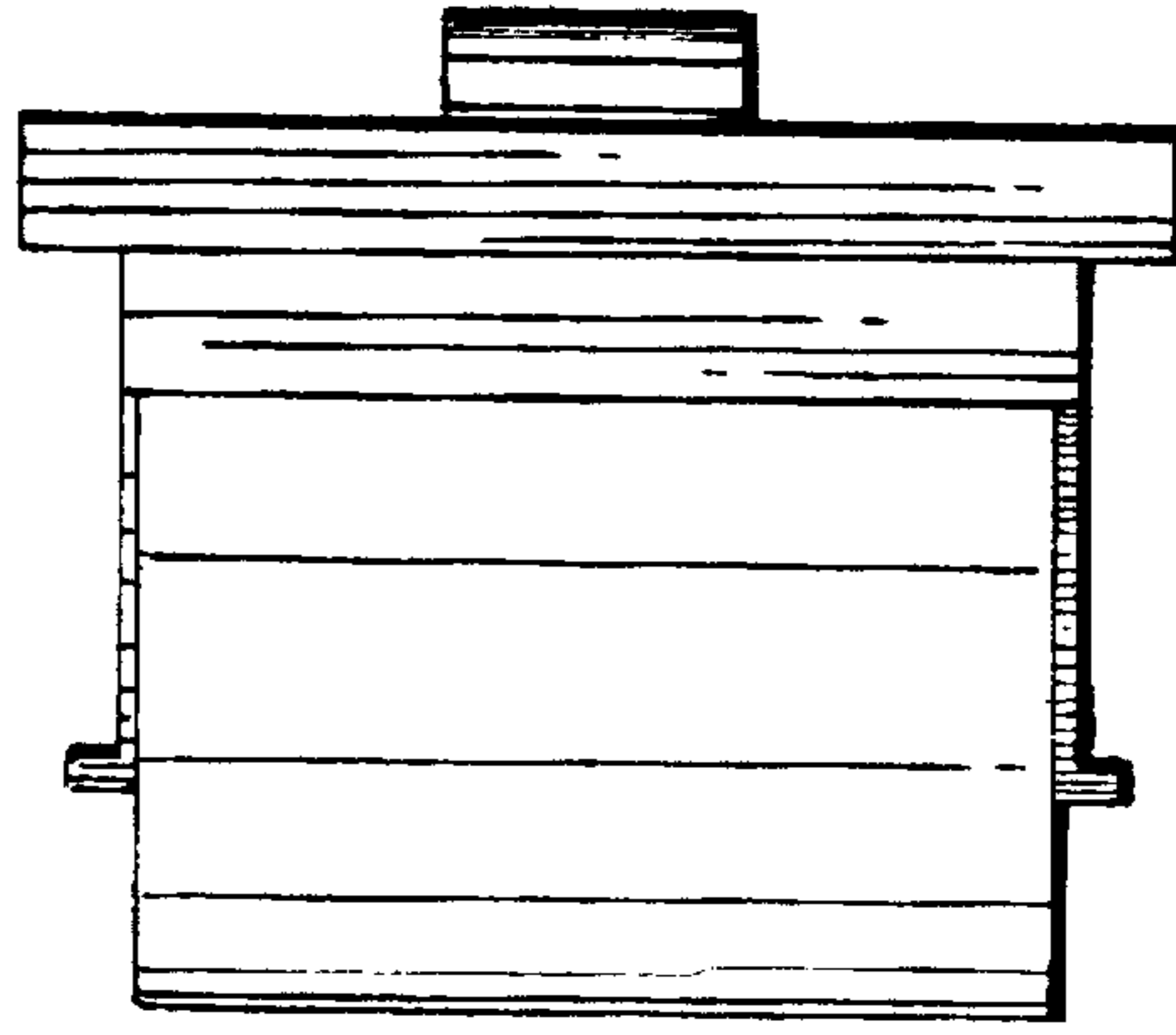


FIG. 6

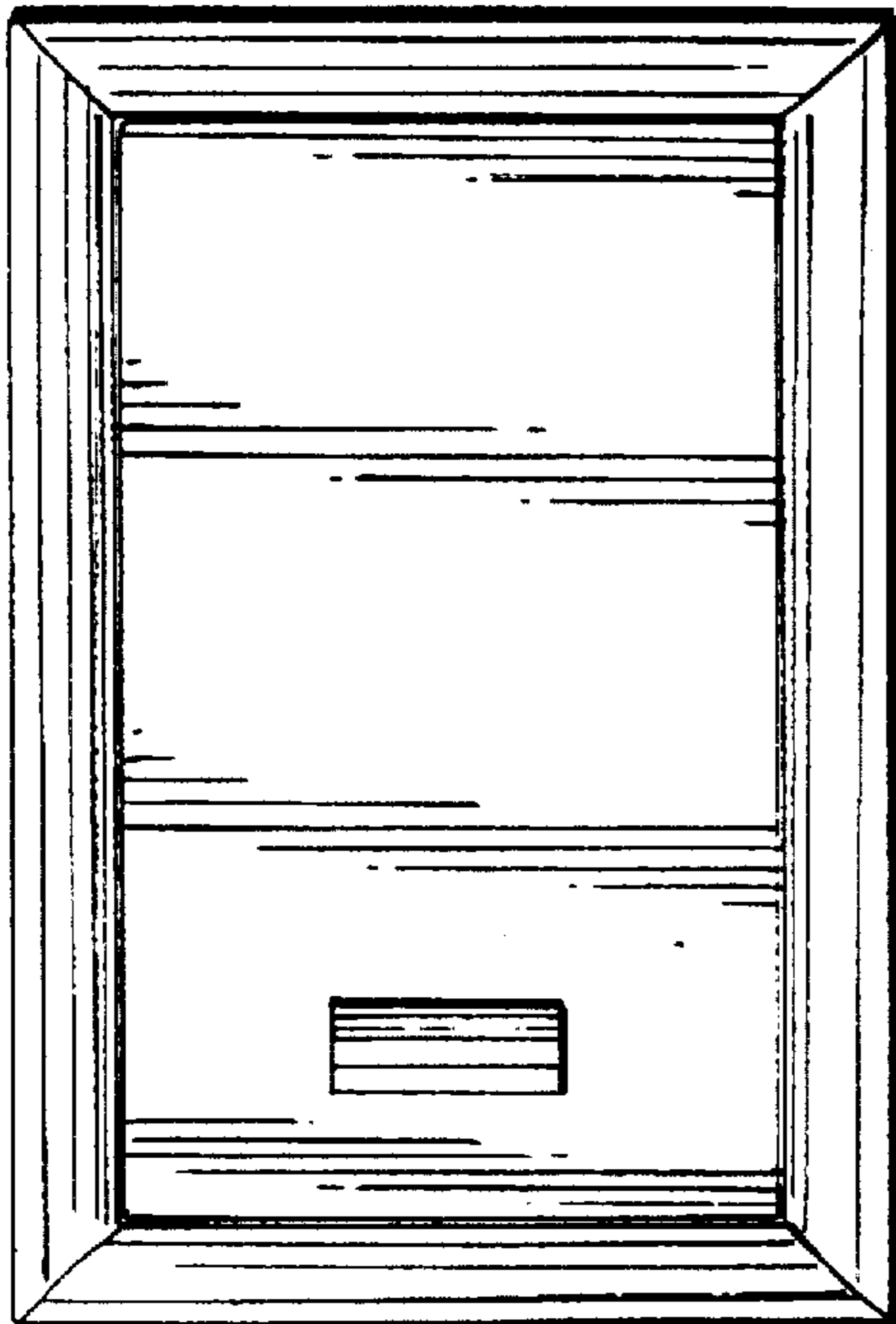


FIG. 3

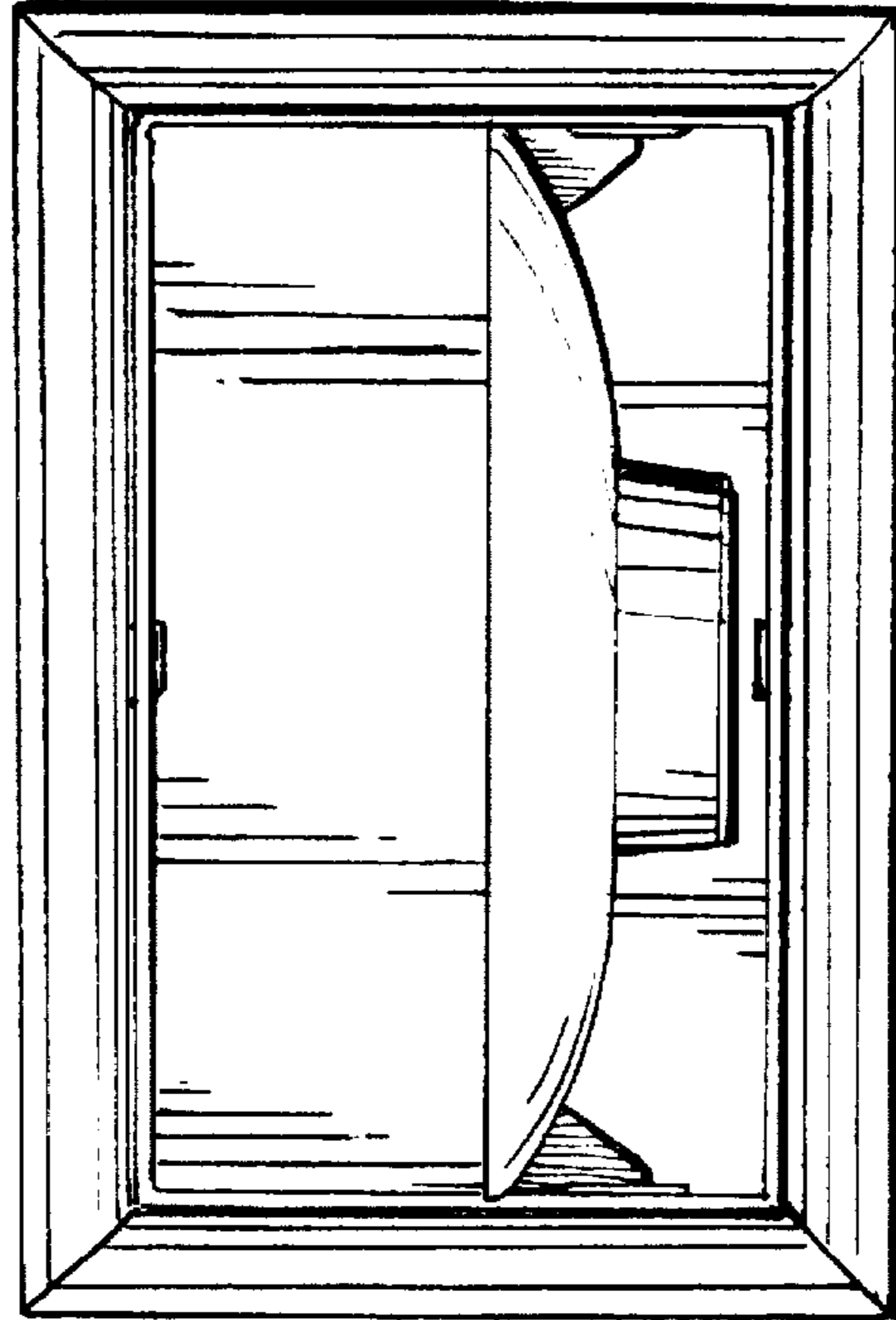


FIG. 4

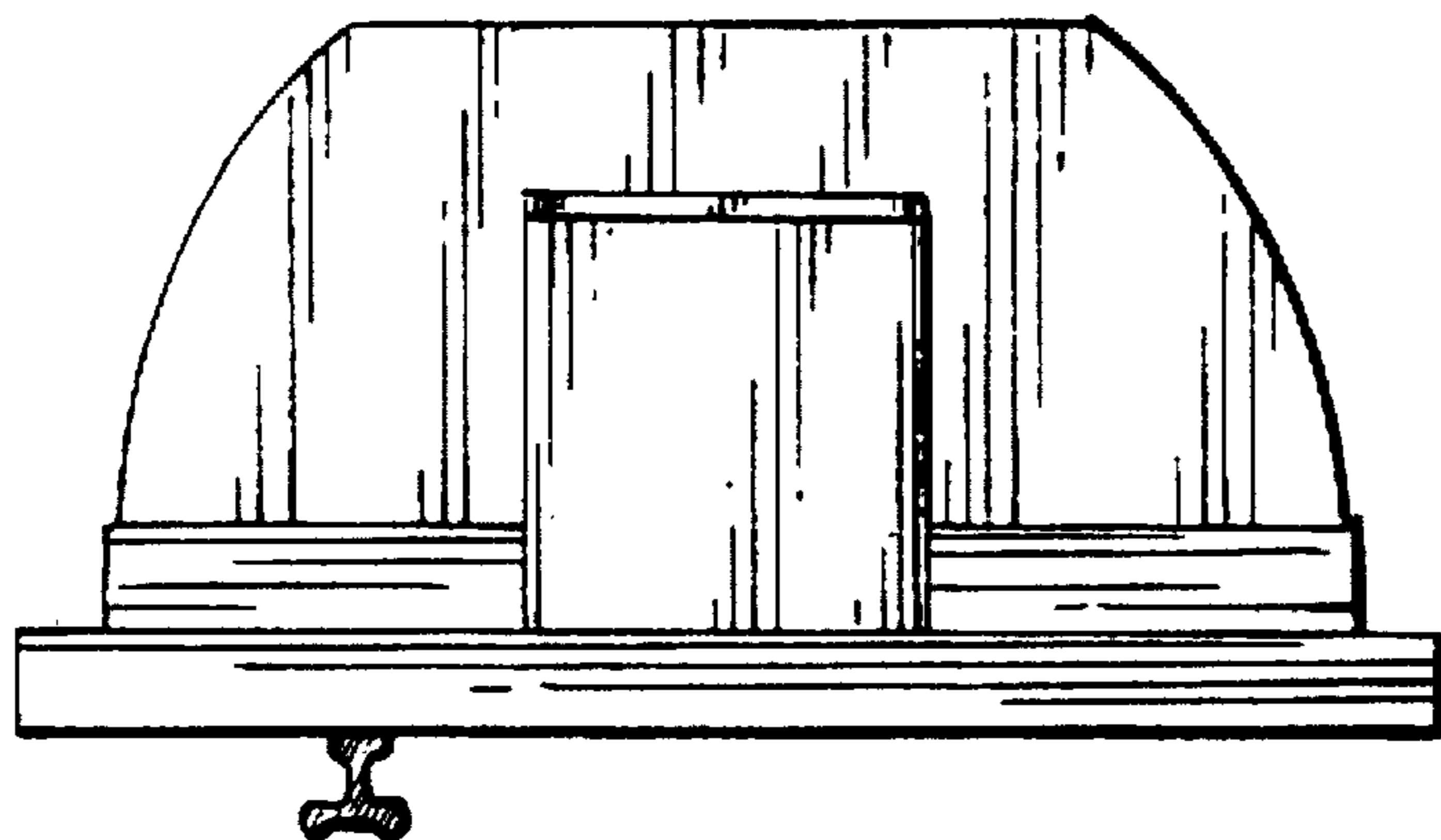


FIG. 7

FIG. 8

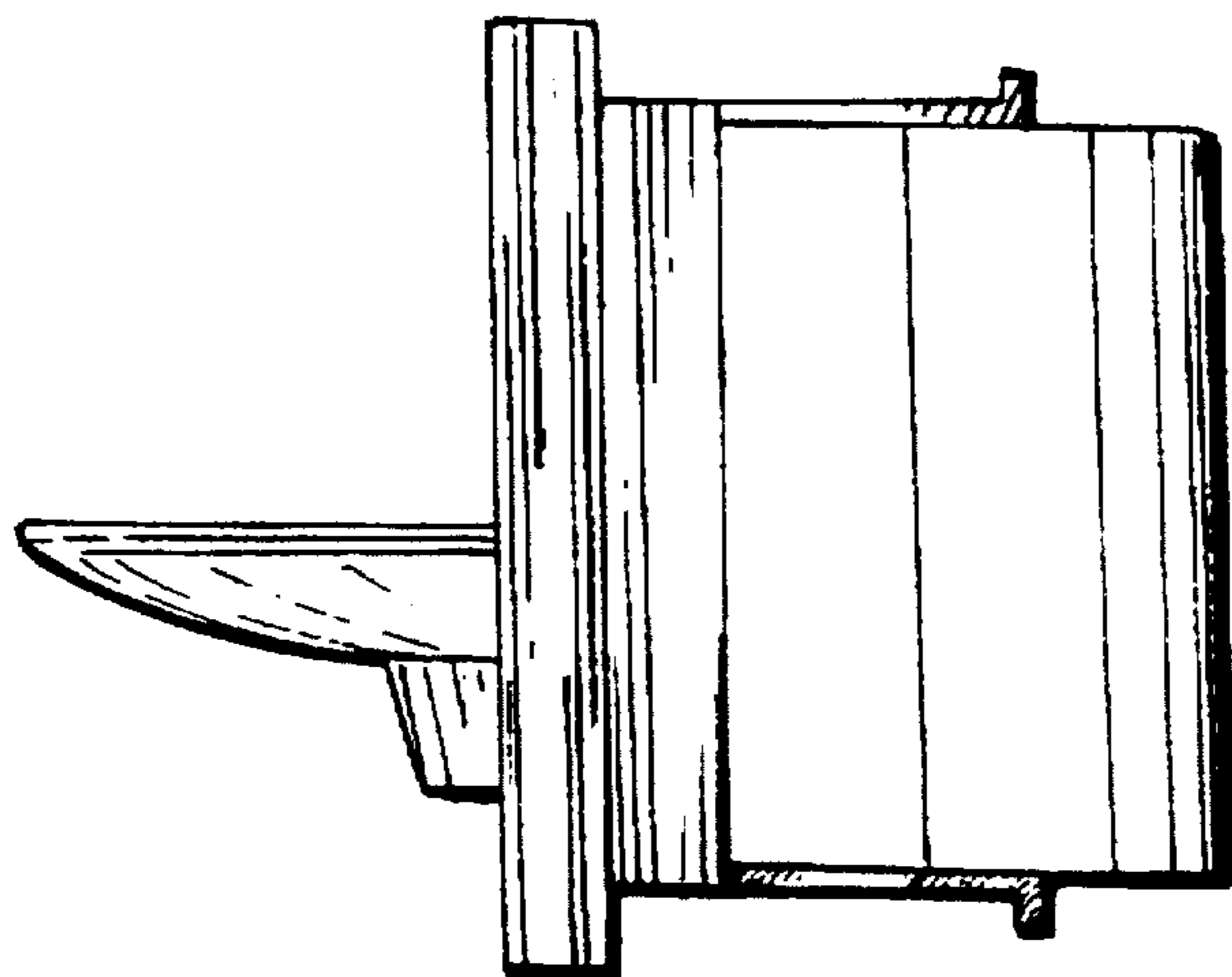
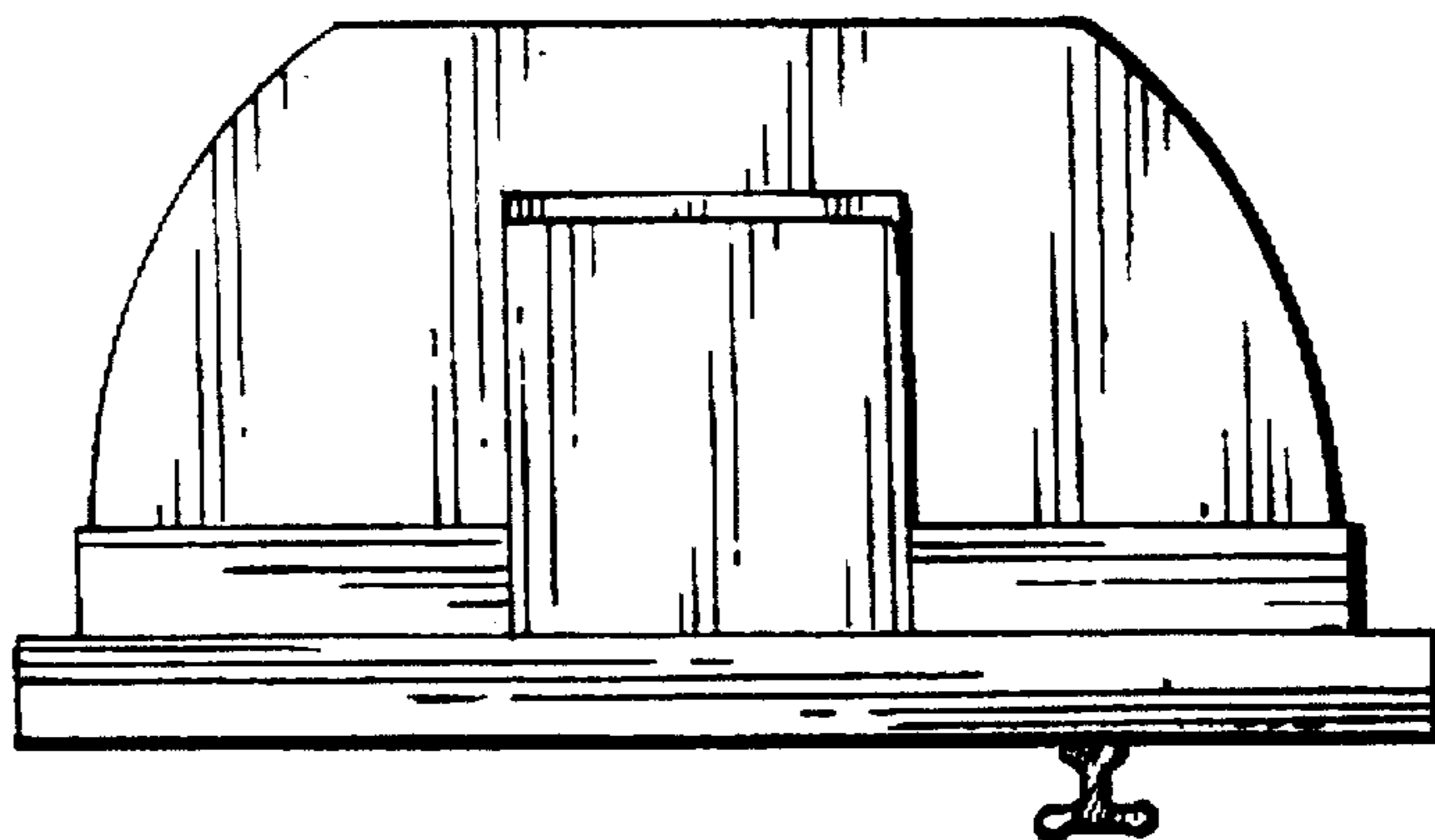


FIG. 9