



US00D394362S

United States Patent [19]
Eskdale

[11] **Patent Number: Des. 394,362**
[45] **Date of Patent: **May 19, 1998**

[54] **FREE-STANDING KITCHEN SHELF UNIT**

[76] **Inventor: Dean E. Eskdale, 7019 32nd Avenue, Edmonton, Alberta, Canada, T6K 2K9**

[**] **Term: 14 Years**

[21] **Appl. No.: 75,155**

[22] **Filed: Sep. 18, 1997**

[51] **LOC (6) Cl. 06-04**

[52] **U.S. Cl. D6/474**

[58] **Field of Search** D6/474, 414, 415, D6/477-479, 460, 466-468, 462, 461, 464, 465, 403-405, 457; 211/128.1, 153, 205, 135, 134, 1, 13.1, 181.1, 196, 71, 72, 70.1, 78, 107, 126.1, 126.2, 126.3, 133.1; 108/59, 60, 90-92, 110, 151; 47/39

[56] **References Cited**

U.S. PATENT DOCUMENTS

109,130 11/1870 Kendrick 108/92
D. 172,256 5/1954 Trout et al. D6/479
D. 222,276 10/1971 Hughes, Jr. 108/92 X

D. 298,288 11/1988 Oto D6/474
D. 334,302 3/1993 Lindeberg D6/479 X
D. 369,496 5/1996 Bartle D6/415
2,143,592 1/1939 Baldeck 211/134
2,933,194 4/1960 Rose 108/92
3,543,699 12/1970 Leikarts 108/59
3,782,296 1/1974 Moretini 211/128.1 X

Primary Examiner—James Gandy
Assistant Examiner—Linda Brooks

[57] **CLAIM**

The ornamental design for a free-standing kitchen shelf unit, as shown and described.

DESCRIPTION

FIG. 1 is a front elevational view of the free-standing kitchen shelf unit showing my new design;
FIG. 2 is a rear elevational view thereof;
FIG. 3 is a right side view thereof;
FIG. 4 is a left side view thereof;
FIG. 5 is a top plan view thereof; and,
FIG. 6 is a bottom plan view thereof.

1 Claim, 3 Drawing Sheets

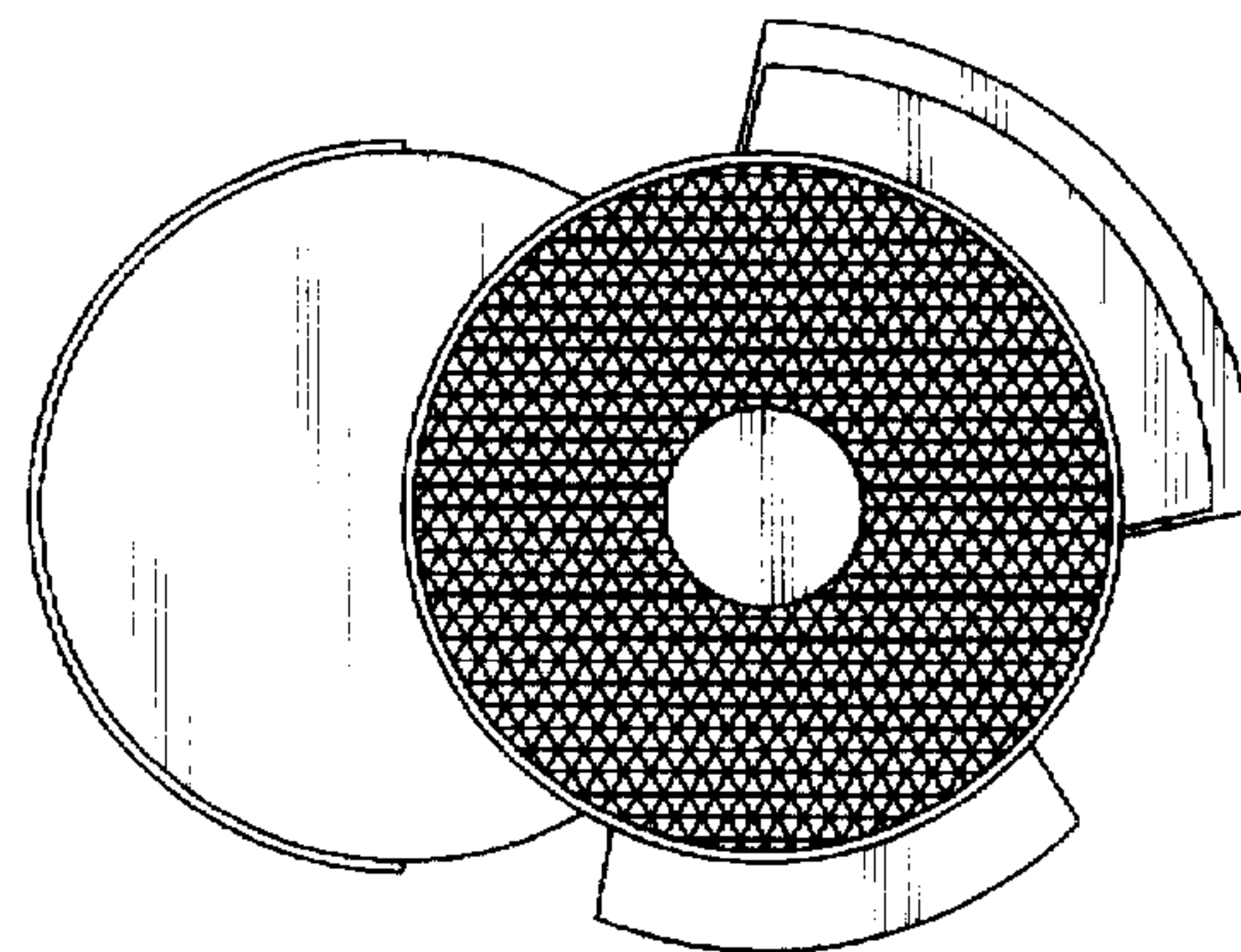
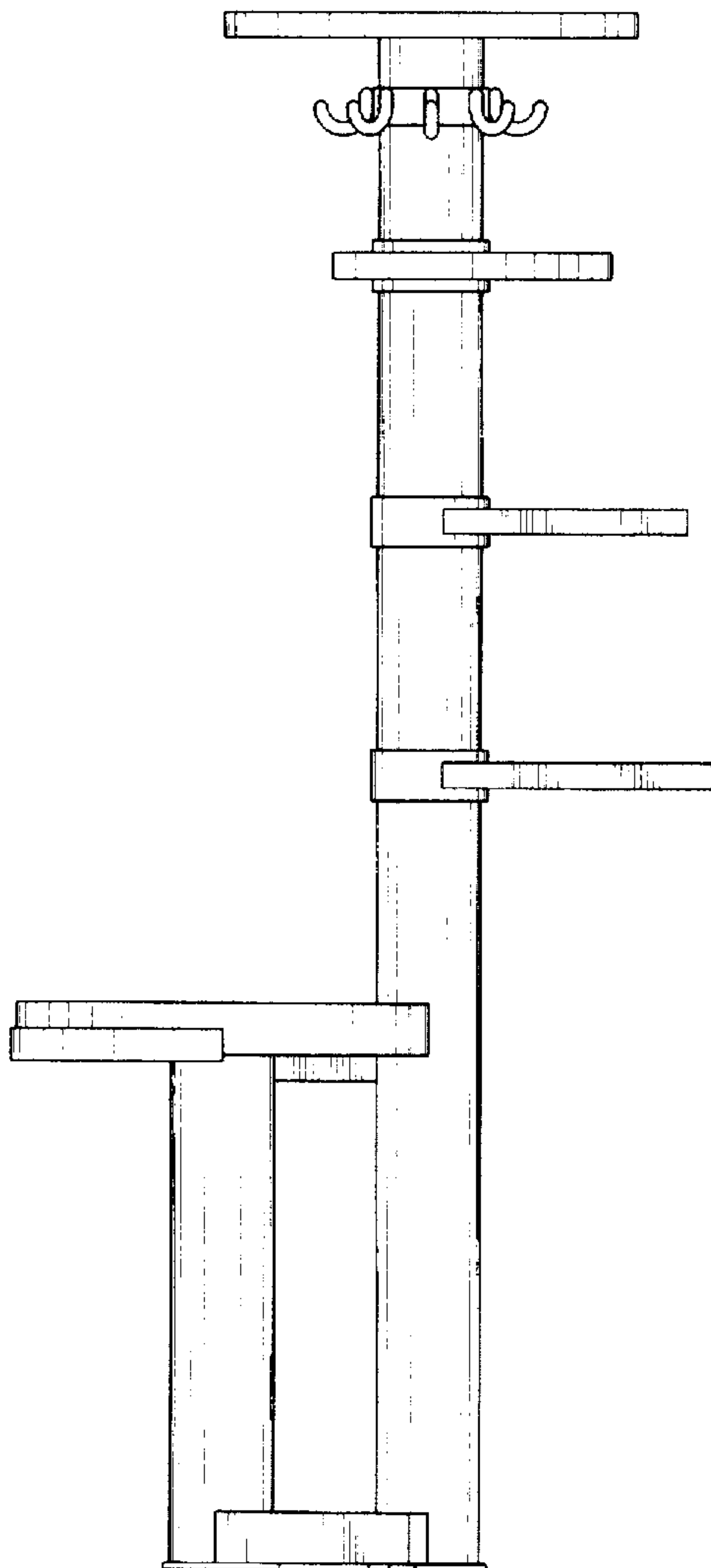


FIG. 1

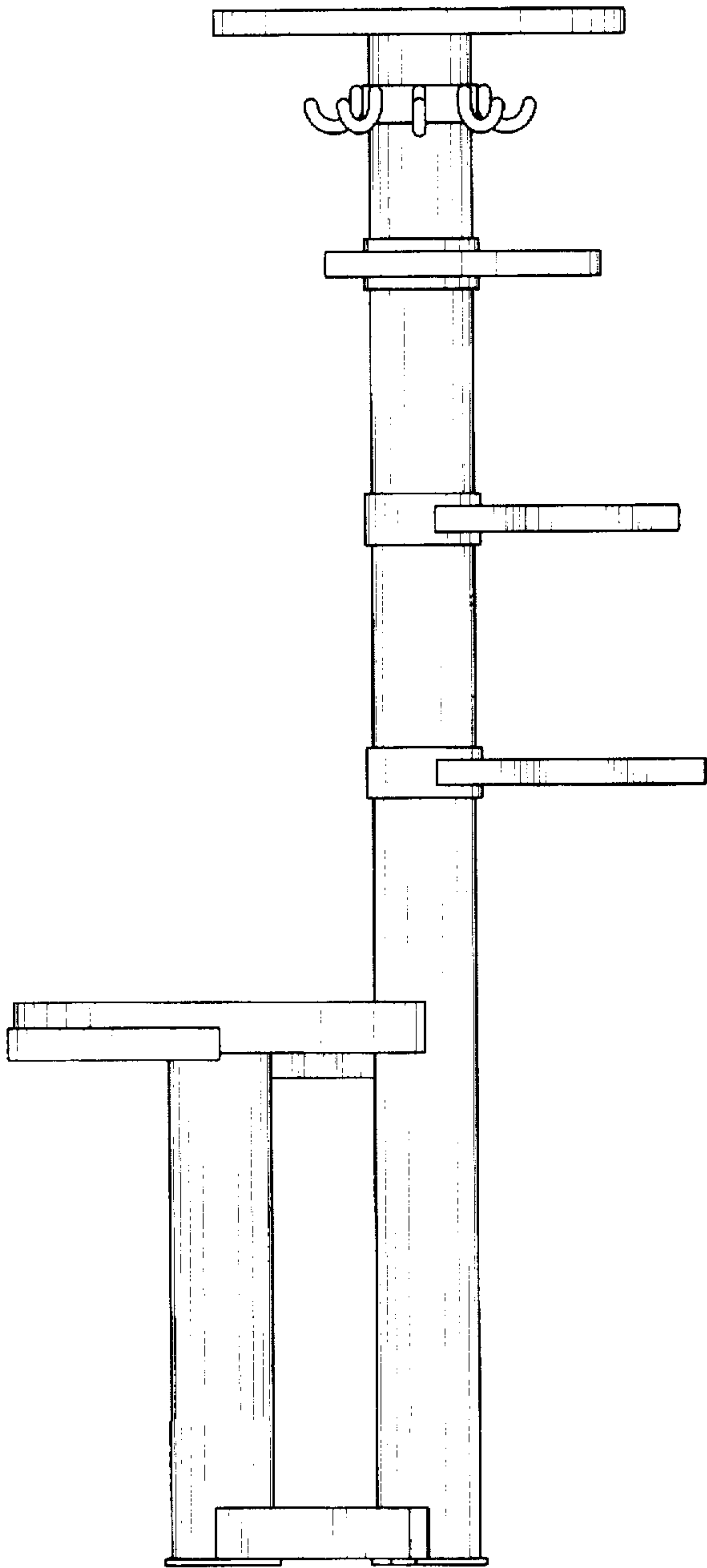


FIG. 2

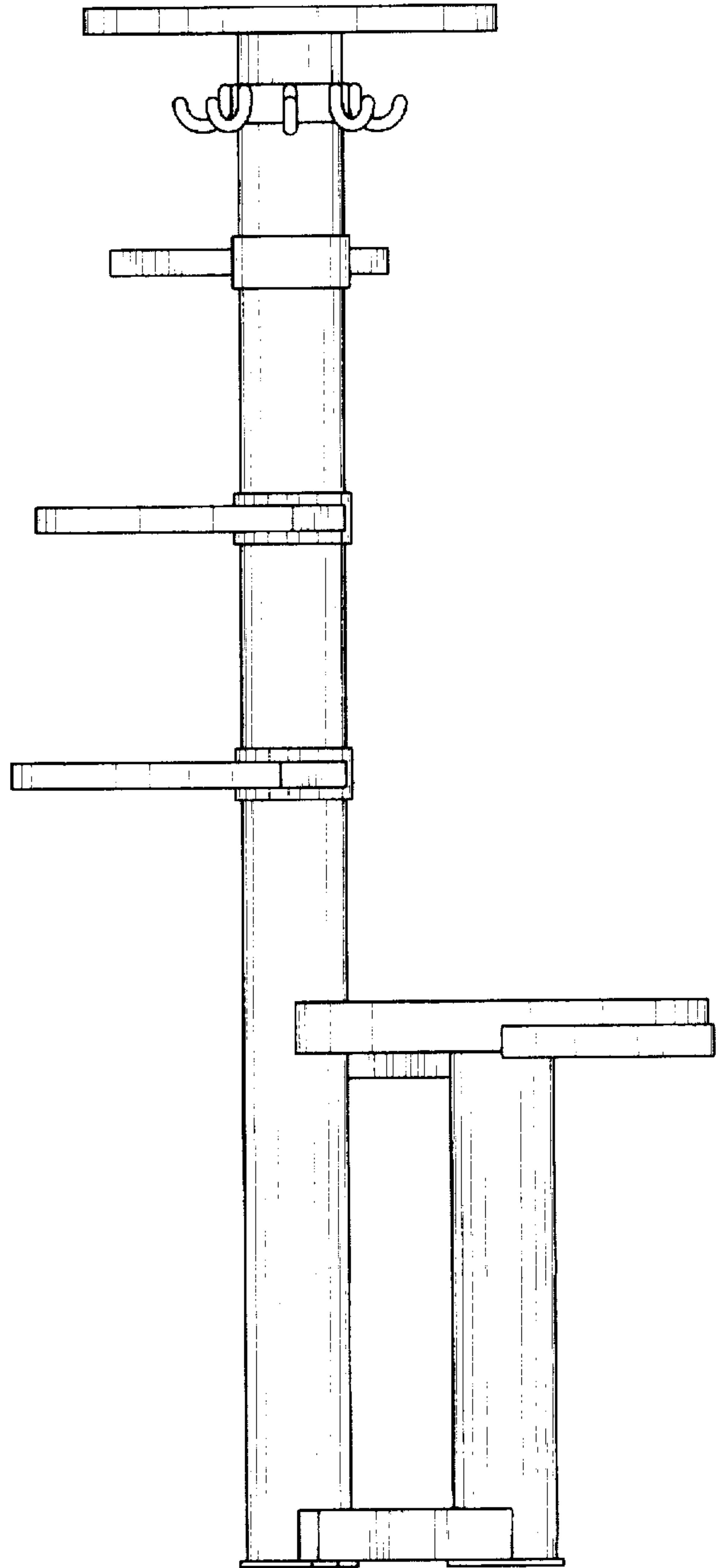


FIG. 3

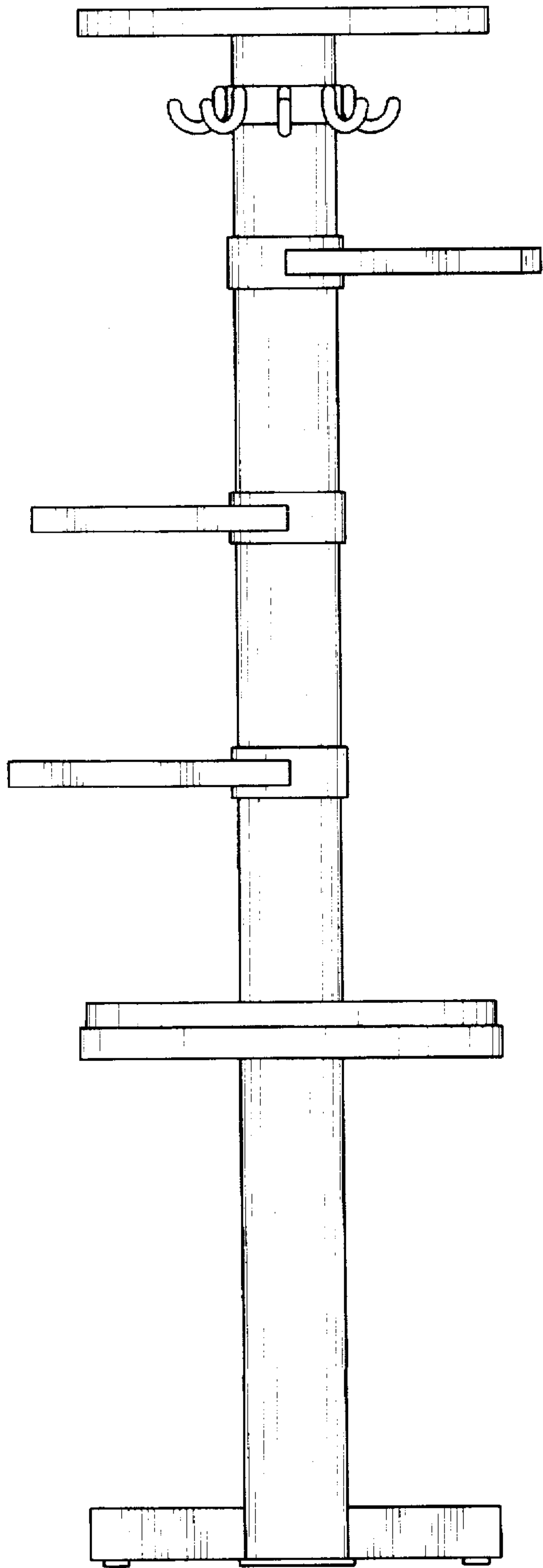


FIG. 4

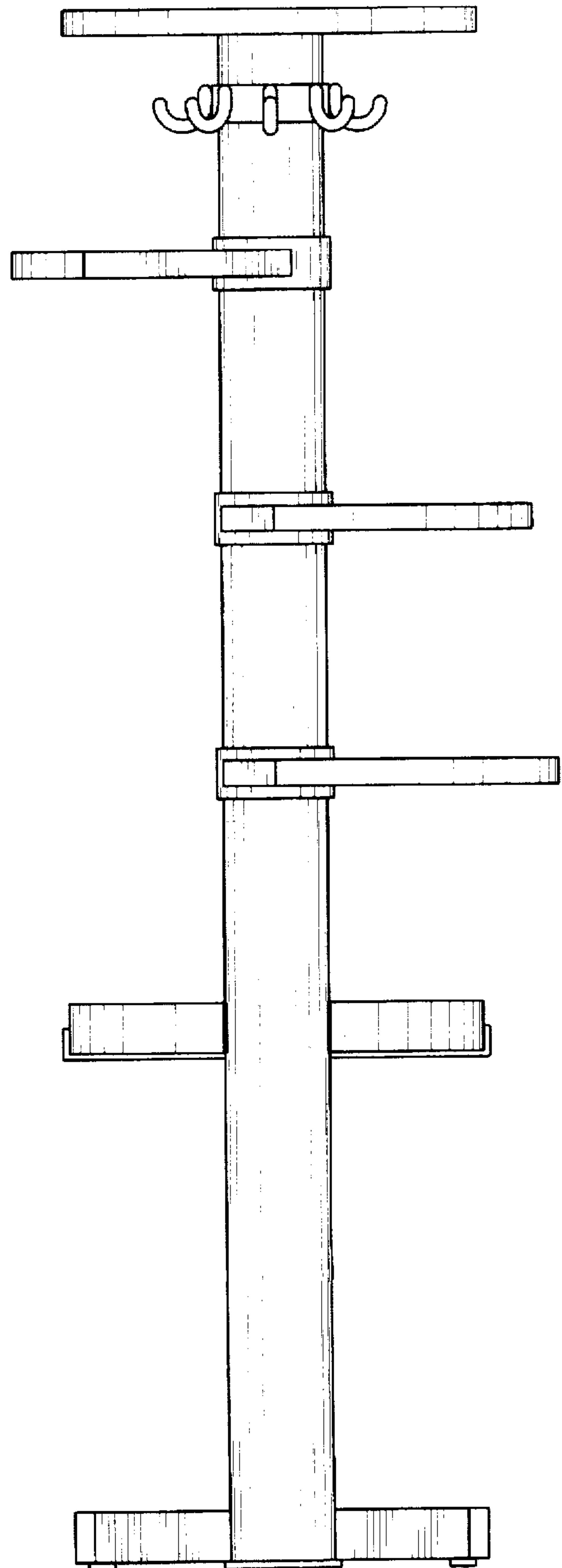


FIG. 5

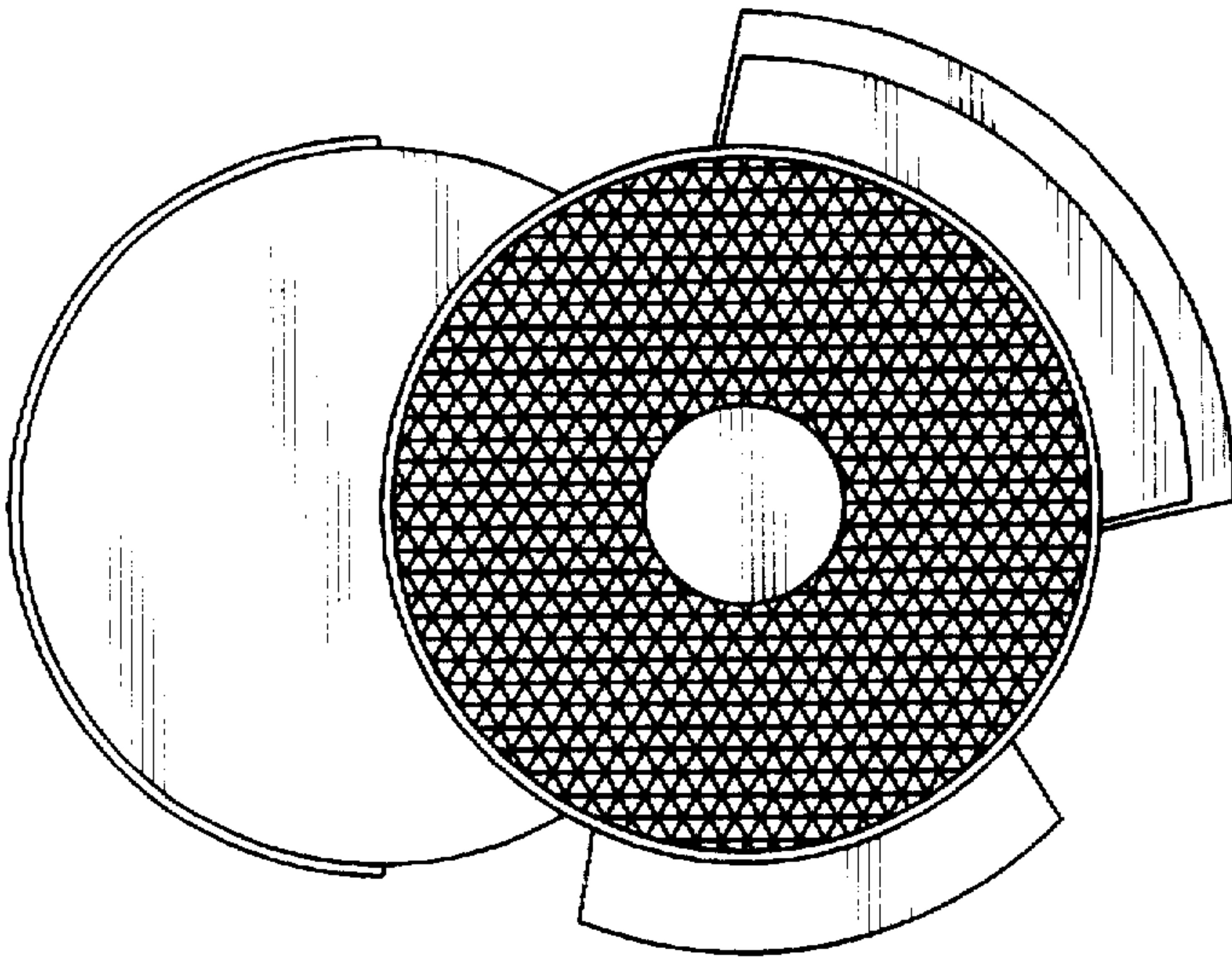


FIG. 6

