



US00D394361S

United States Patent [19]

[11] Patent Number: **Des. 394,361**

Adams et al.

[45] Date of Patent: ****May 19, 1998**

[54] FOLDING TABLE

[75] Inventors: **William E. Adams**, Portersville, Pa.;
Sean M. McDowell, Lawrence, Mass.;
Tim Cunningham; **Matthew Beale**,
both of Pittsburgh, Pa.

[73] Assignee: **Adams Mfg. Corp.**, Portersville, Pa.

[**] Term: **14 Years**

[21] Appl. No.: **63,893**

[22] Filed: **Dec. 18, 1996**

[51] LOC (6) Cl. **06-03**

[52] U.S. Cl. **D6/429; D6/480**

[58] Field of Search **D6/480-489, 429-431,**
D6/495, 496, 498, 499; 108/118, 120, 144,
146, 153, 157, 161

[56] References Cited

U.S. PATENT DOCUMENTS

3,704,674	12/1972	Johnson	108/118
4,190,001	2/1980	Cecala	D6/484 X
4,229,038	10/1980	Drost	D6/429 X
5,584,254	12/1996	Williams	108/118

OTHER PUBLICATIONS

IKEA, c1990, p. 75, HOL table at top left.

Primary Examiner—Janice E. Seeger

Attorney, Agent, or Firm—Buchanan Ingersoll, P.C.

[57] CLAIM

The ornamental design for a folding table, as shown and described.

DESCRIPTION

FIG. 1 is a perspective view of our folding table in an open position;

FIG. 2 is a front view of our folding table in a folded, closed position;

FIG. 3 is a side view of our folding table in a closed position;

FIG. 4 is a rear view of our folding table in a folded, closed position;

FIG. 5 is a top plan view of our folding table in a closed position;

FIG. 6 is a bottom view of our folding table in a closed position;

FIG. 7 is a bottom view of our folding table in an open position;

FIG. 8 is a side view of our folding table in an open position;

FIG. 9 is a left side view of our folding table in an open position;

FIG. 10 is a rear view of our folding table in an open position; and,

FIG. 11 is a front view of our folding table in an open position.

1 Claim, 8 Drawing Sheets



Fig.1.



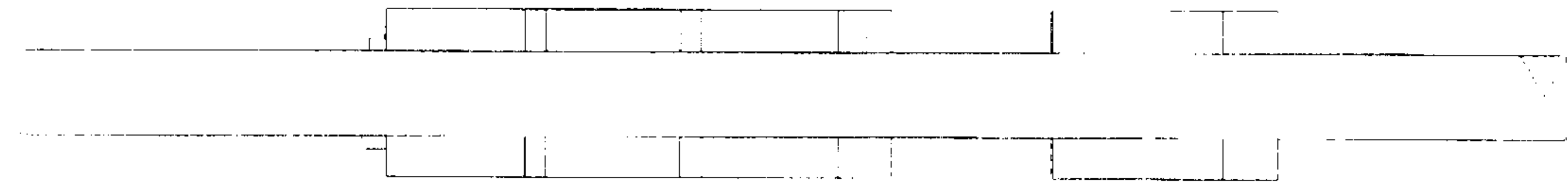


FIG. 3

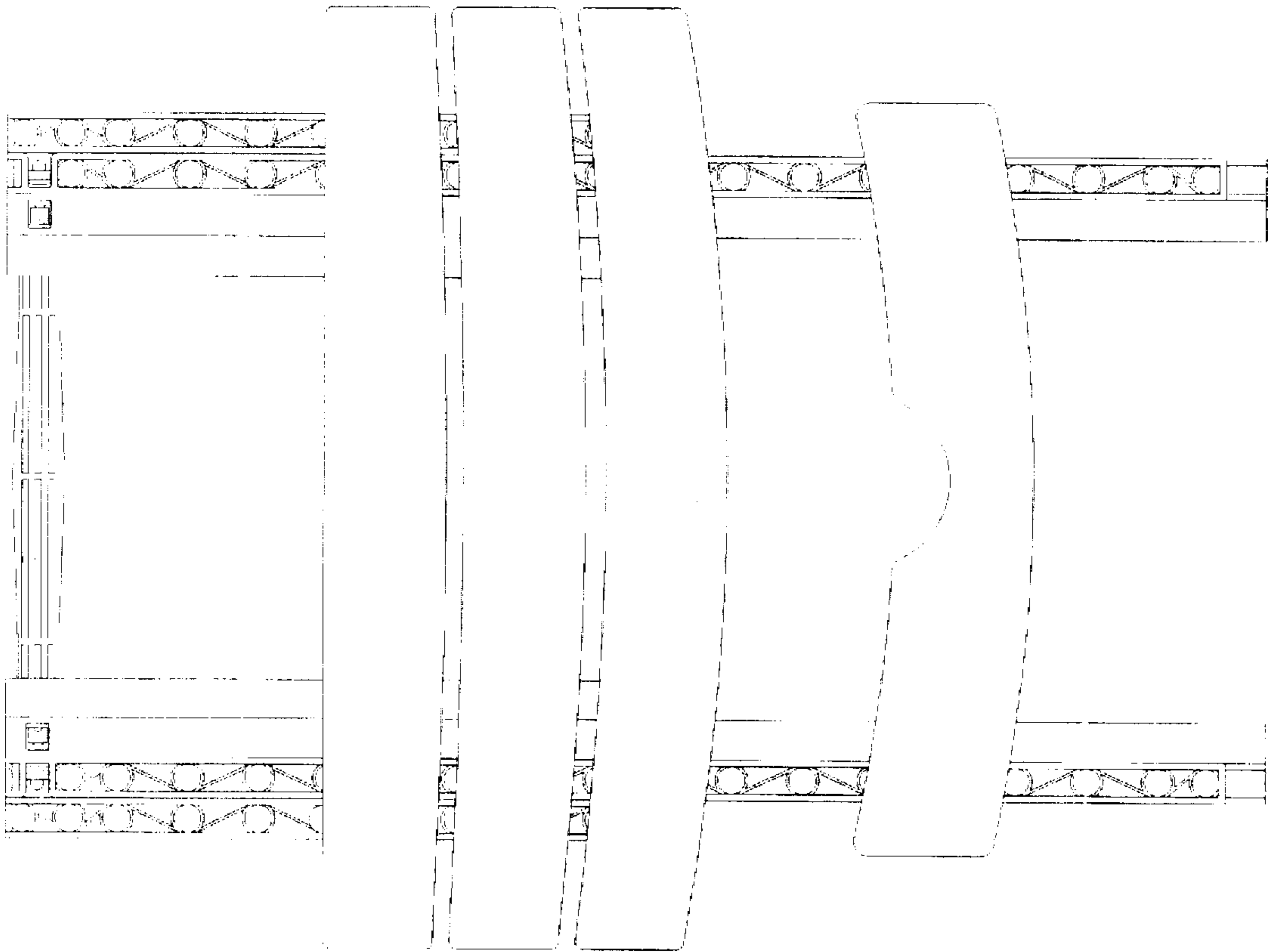


FIG. 2

Fig. 4.

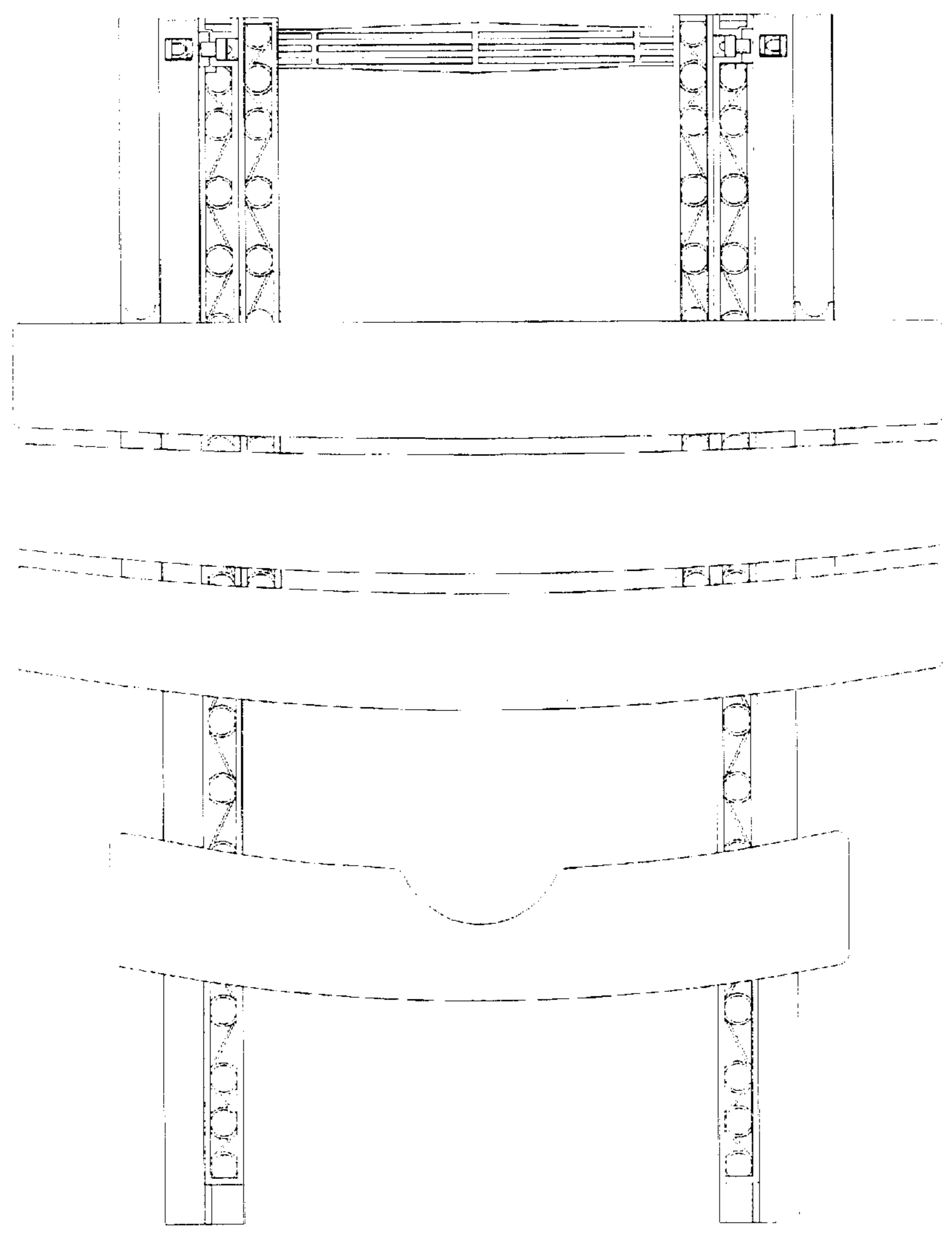


Fig. 5.

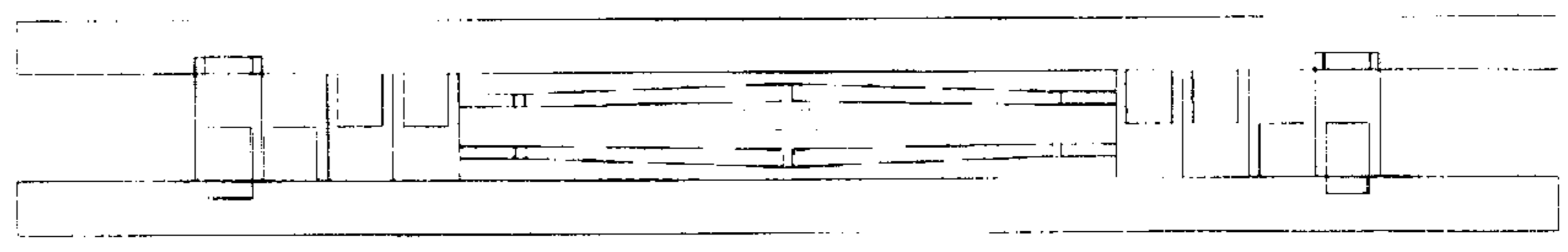


Fig. 6.

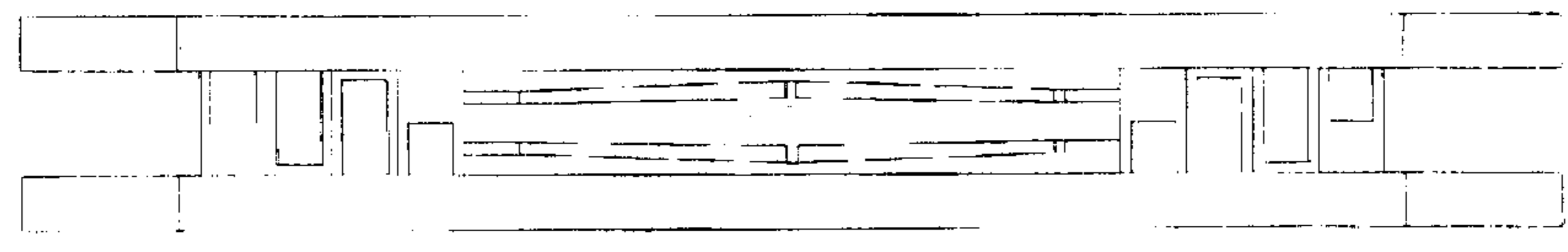


Fig. 7.

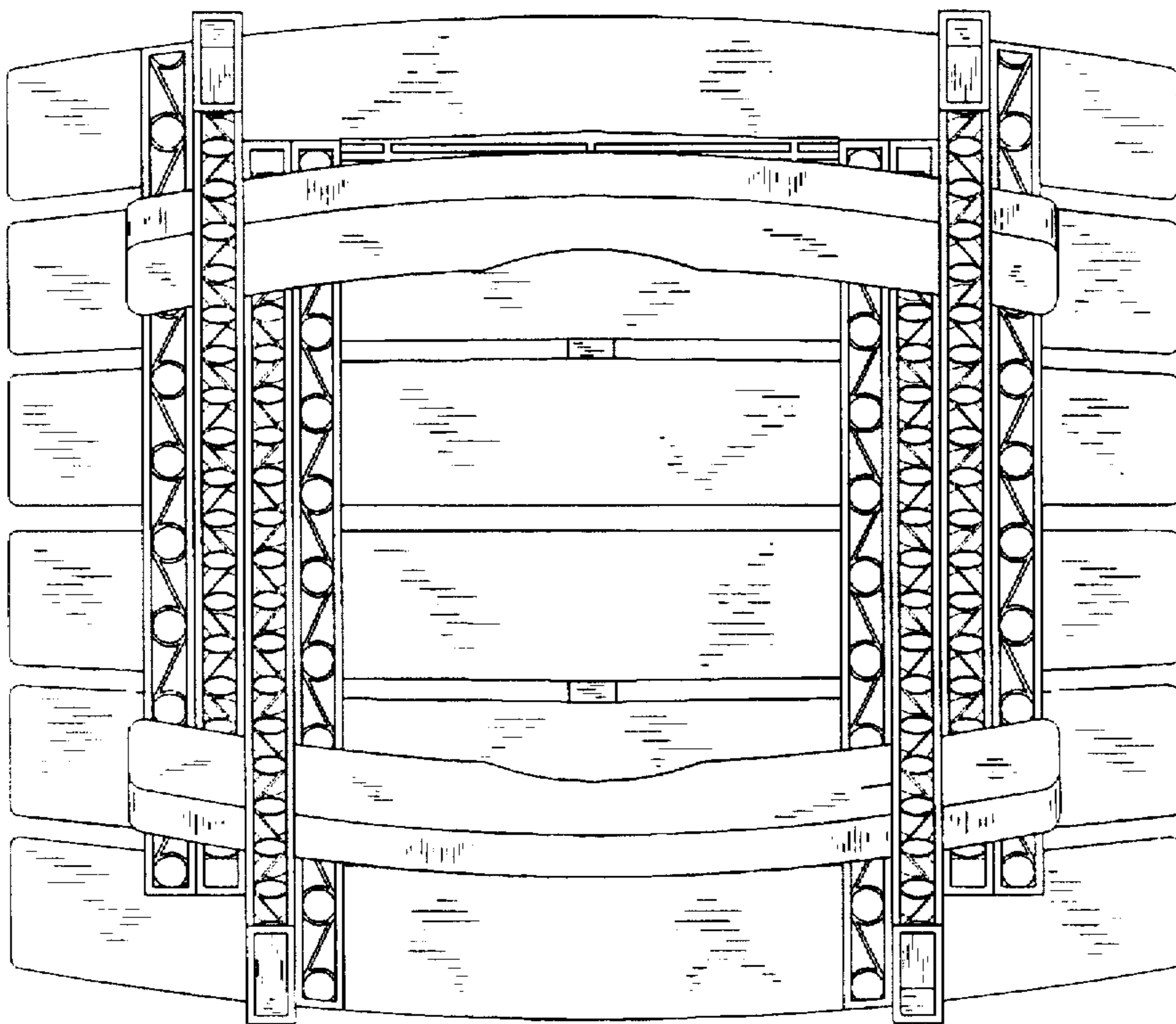


Fig. 8.

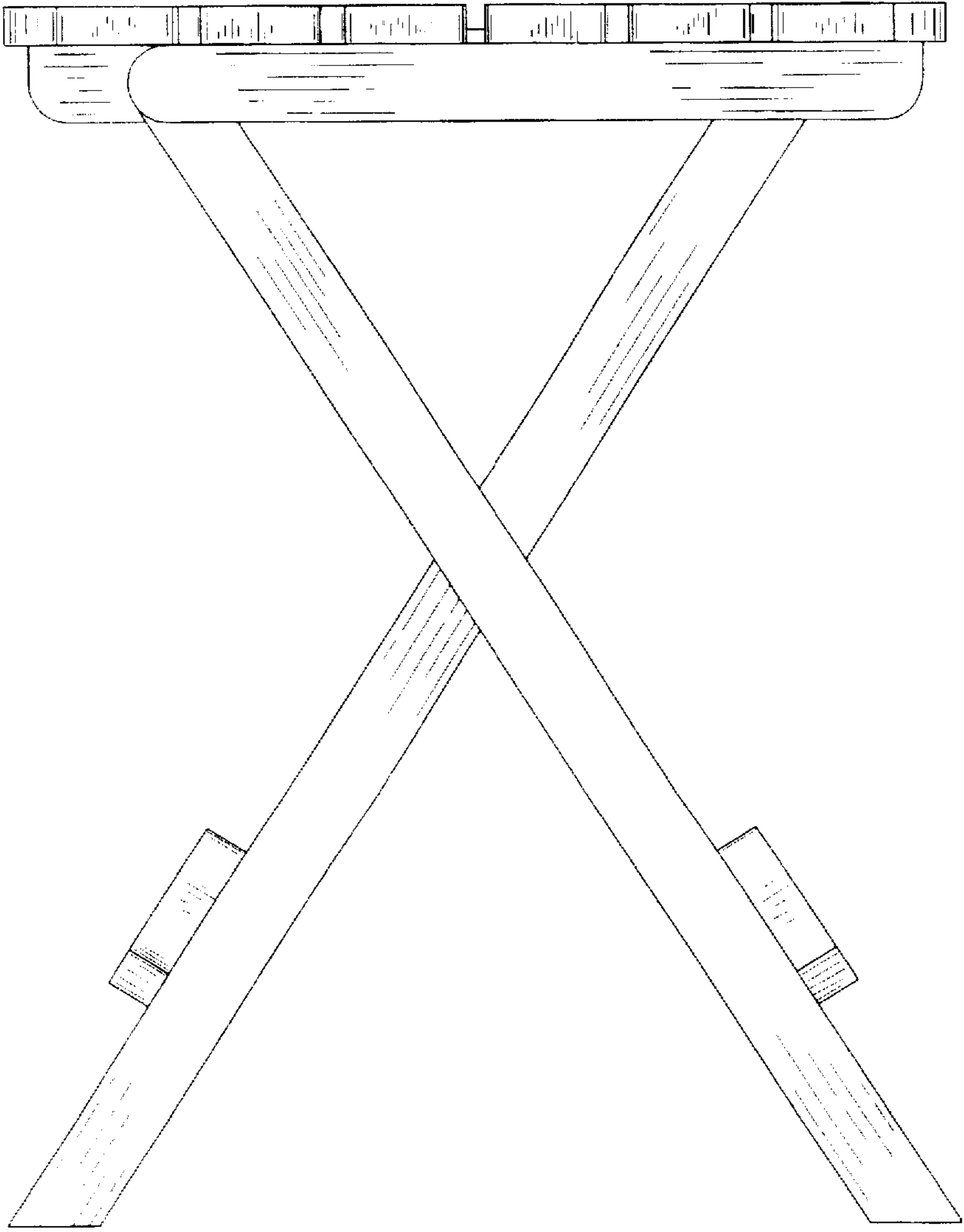


Fig. 9.

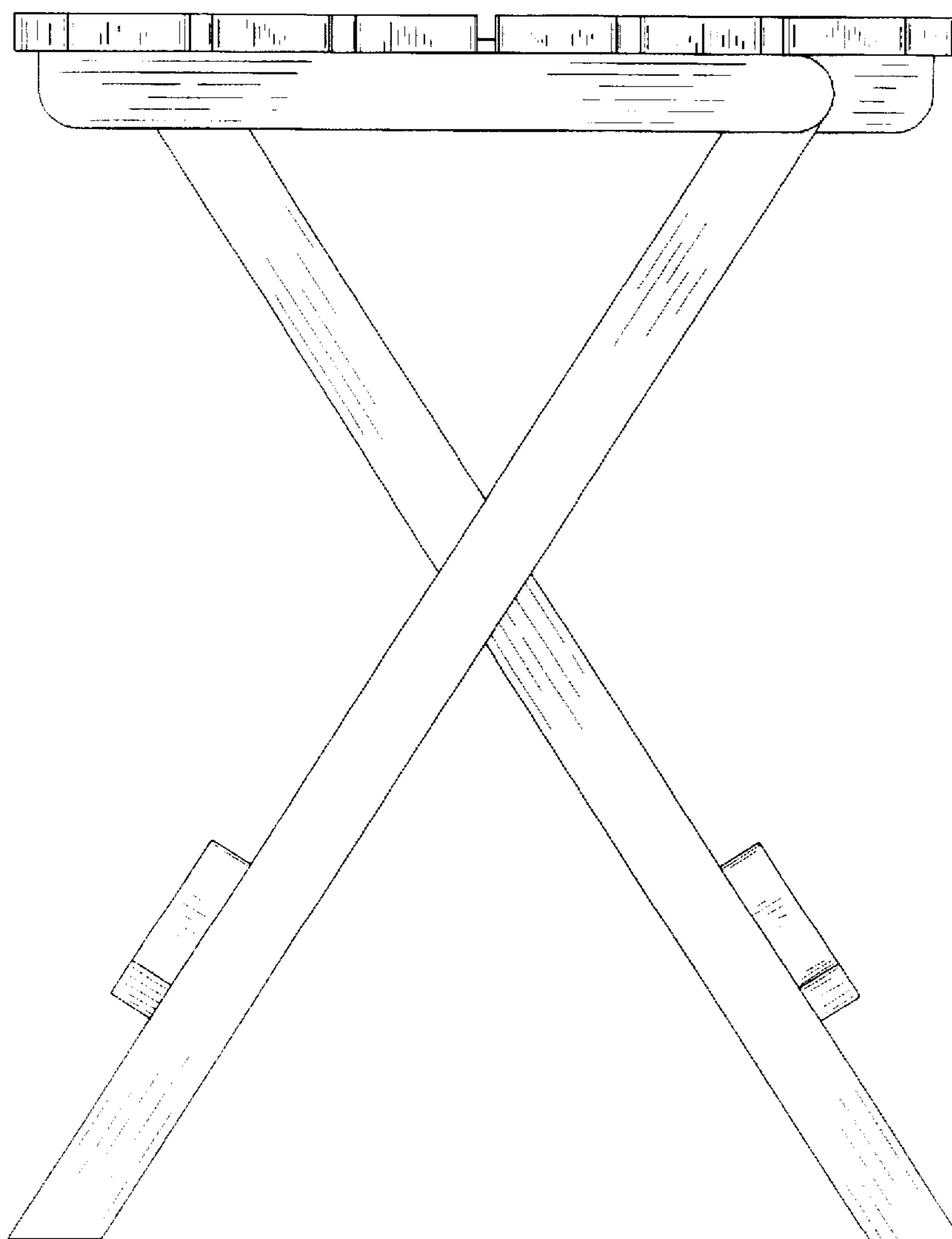


Fig. 10.

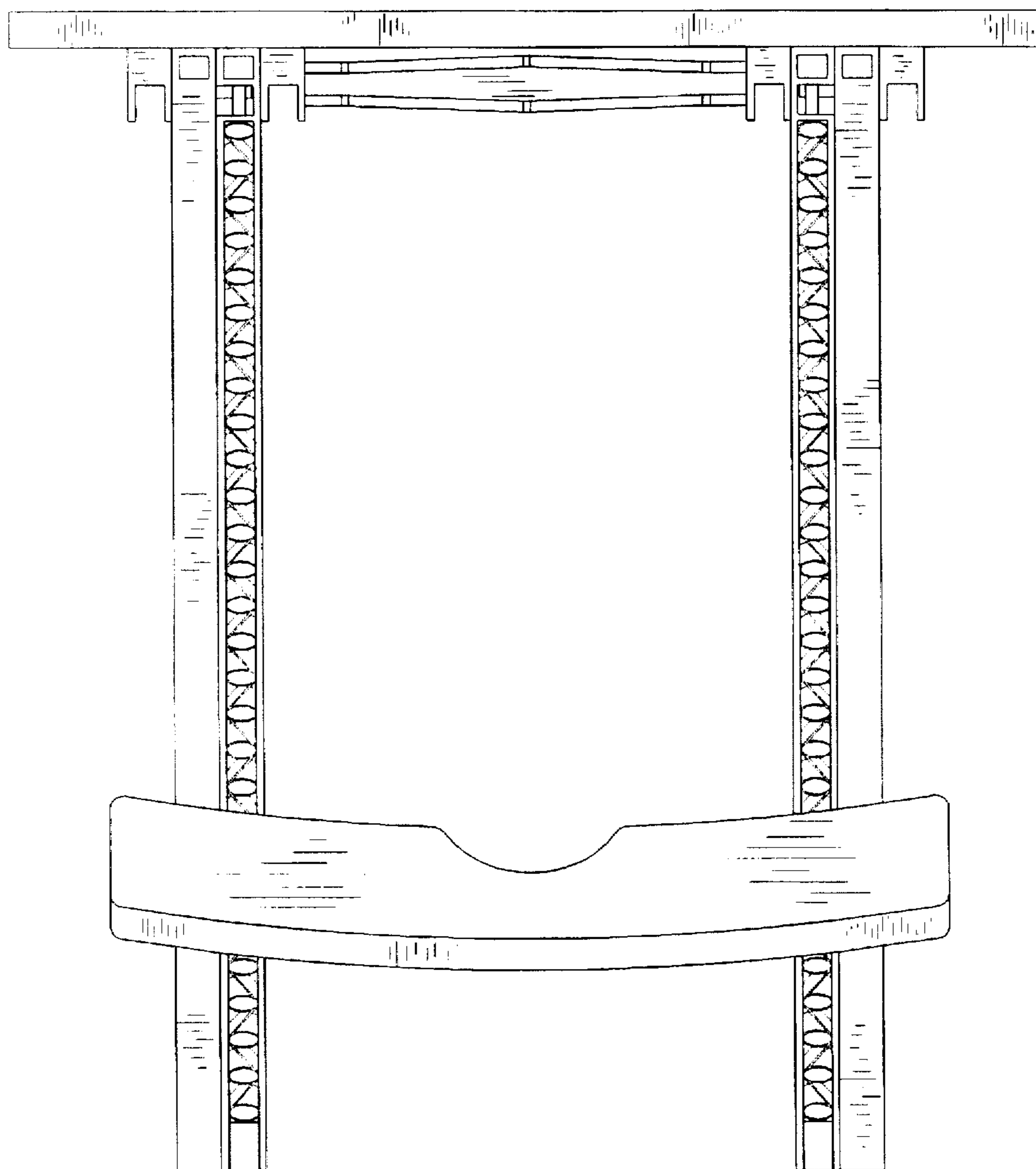
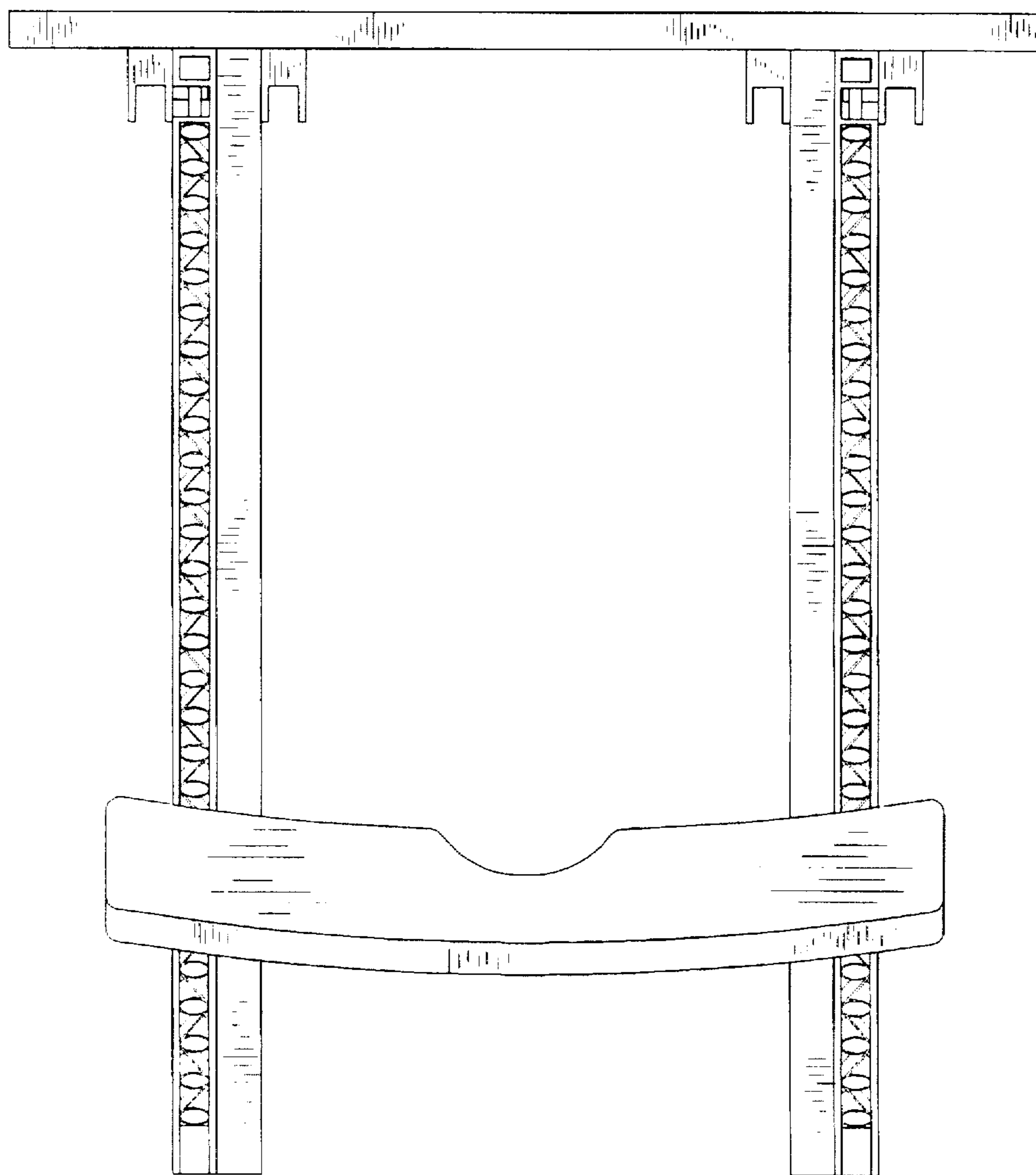


Fig. 11.



UNITED STATES PATENT AND TRADEMARK OFFICE
CERTIFICATE OF CORRECTION

PATENT NO. : **D394,361**

DATED : **May 19, 1998**

INVENTOR(S) : **WILLIAM E. ADAMS, SEAN M. MCDOWELL, TIM CUNNINGHAM,
MATTHEW BEALE**

It is certified that error appears in the above-identified patent and that said Letters Patent is hereby corrected as shown below:

In the Description section, after "Figure 8 is a" insert --right--.

Signed and Sealed this
Eighth Day of September, 1998

Attest:



BRUCE LEHMAN

Attesting Officer

Commissioner of Patents and Trademarks