



US00D394360S

United States Patent [19]

Geier et al.

[11] Patent Number: **Des. 394,360**

[45] Date of Patent: ****May 19, 1998**

[54] **ROLLING RETAIL DISPLAY UNIT**

[75] Inventors: **James Geier; Jim Jobes**, both of Chicago, Ill.

[73] Assignee: **555 Design Fabrication Management, Inc.**, Chicago, Ill.

[**] Term: **14 Years**

[21] Appl. No.: **74,478**

[22] Filed: **Jul. 31, 1997**

[51] LOC (6) Cl. **06-04**

[52] U.S. Cl. **D6/414; D6/478; D34/21**

[58] Field of Search **D6/467, 462, 396, D6/411, 414, 415, 315, 317, 477, 478, 479; 211/49.1, 59.1, 13.1, 133.1, 85.8, 134, 188, 194, 182, 126.5, 126.16, 133.3; 108/108; 280/47.35, 79.3; D34/21; 312/249.8, 249.13, 281**

[56] **References Cited**

U.S. PATENT DOCUMENTS

D. 318,194 7/1991 Terrell et al. D6/414

D. 327,788	7/1992	Allen	D6/414
D. 328,830	8/1992	Allen	D6/478
D. 331,331	12/1992	Brunner	D6/414
2,192,102	2/1940	Pinto	211/133.3
3,856,320	12/1974	Blanchard	280/47.35
3,999,775	12/1976	Brongo	280/79.3 X

Primary Examiner—James Gandy
Assistant Examiner—Linda Brooks
Attorney, Agent, or Firm—Edward J. Chalfie

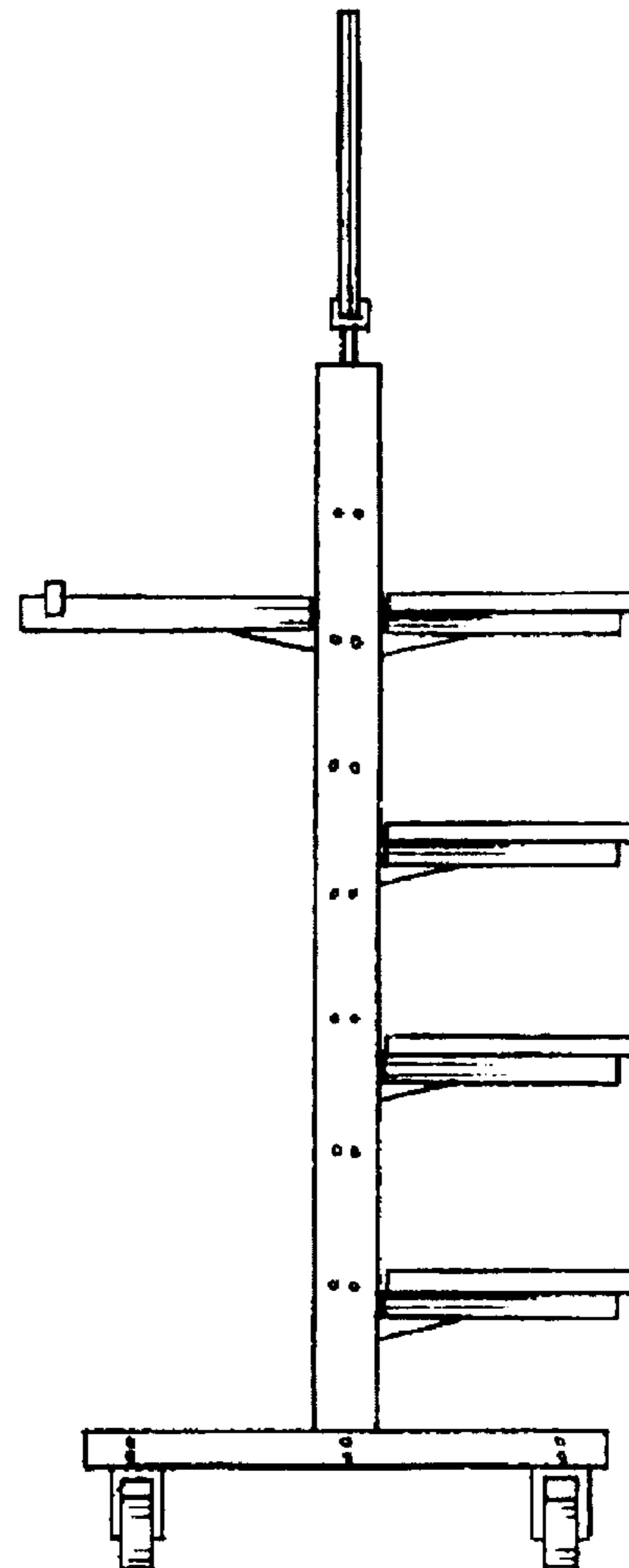
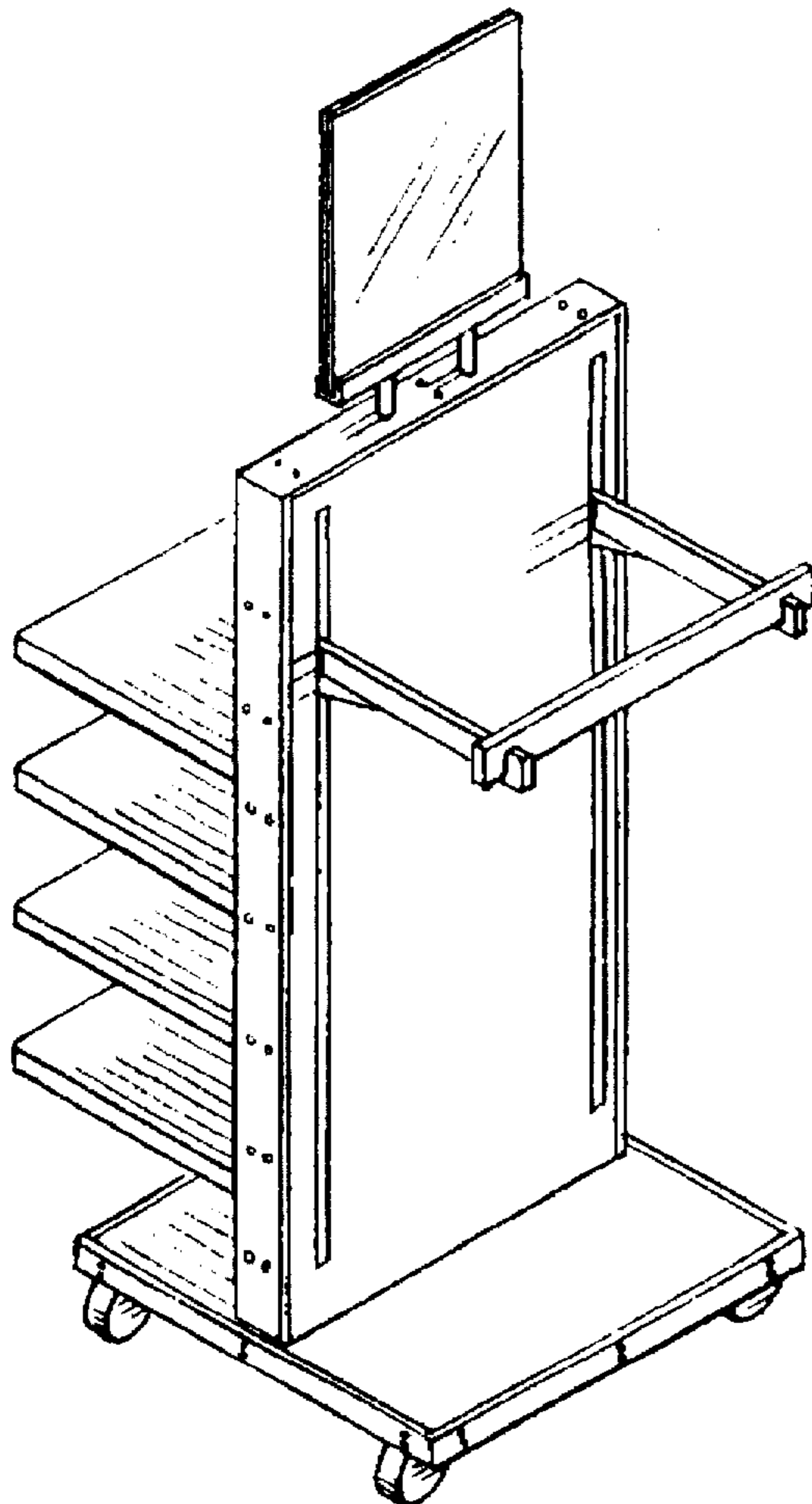
[57] **CLAIM**

The ornamental design for a rolling retail display unit, as shown and described.

DESCRIPTION

FIG. 1 is a general perspective view of the display unit embodying the present invention;
FIG. 2 is a rear elevation thereof;
FIG. 3 is a left side elevation thereof, with the right side presenting a mirror-image view;
FIG. 4 is a front elevation thereof; and,
FIG. 5 is a top plan view thereof.
The bottom of the rolling retail display unit forms no part of the claimed design.

1 Claim, 1 Drawing Sheet



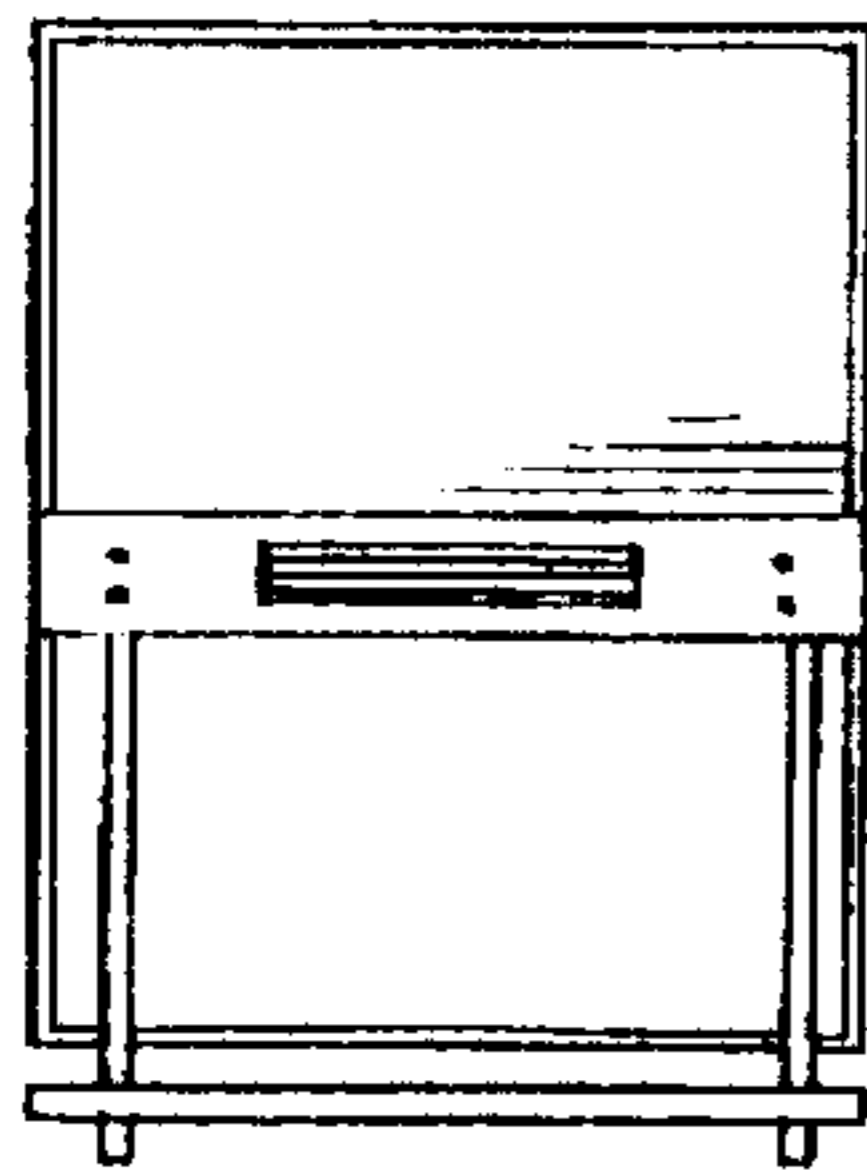


FIG. 5

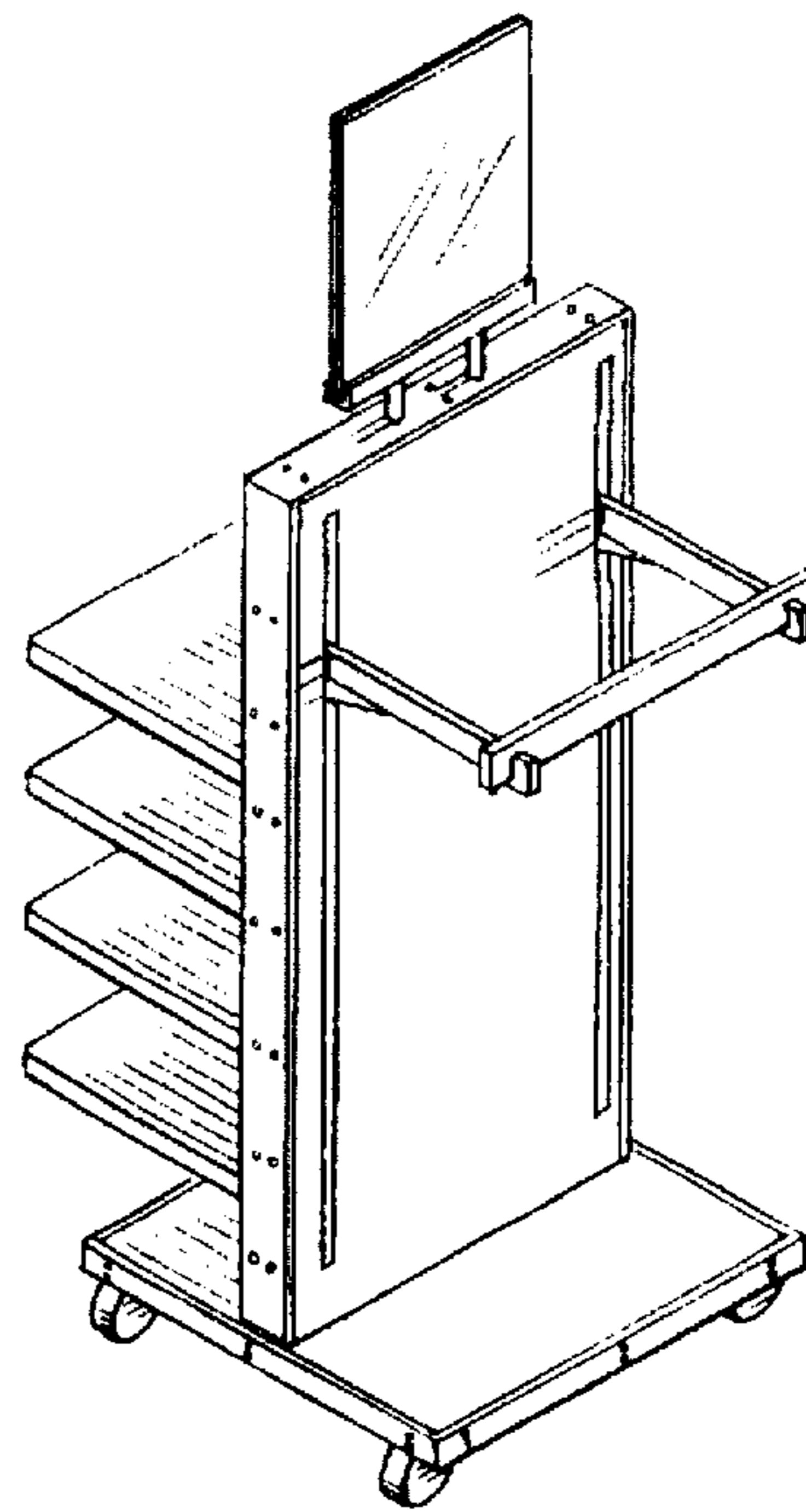


FIG. 1

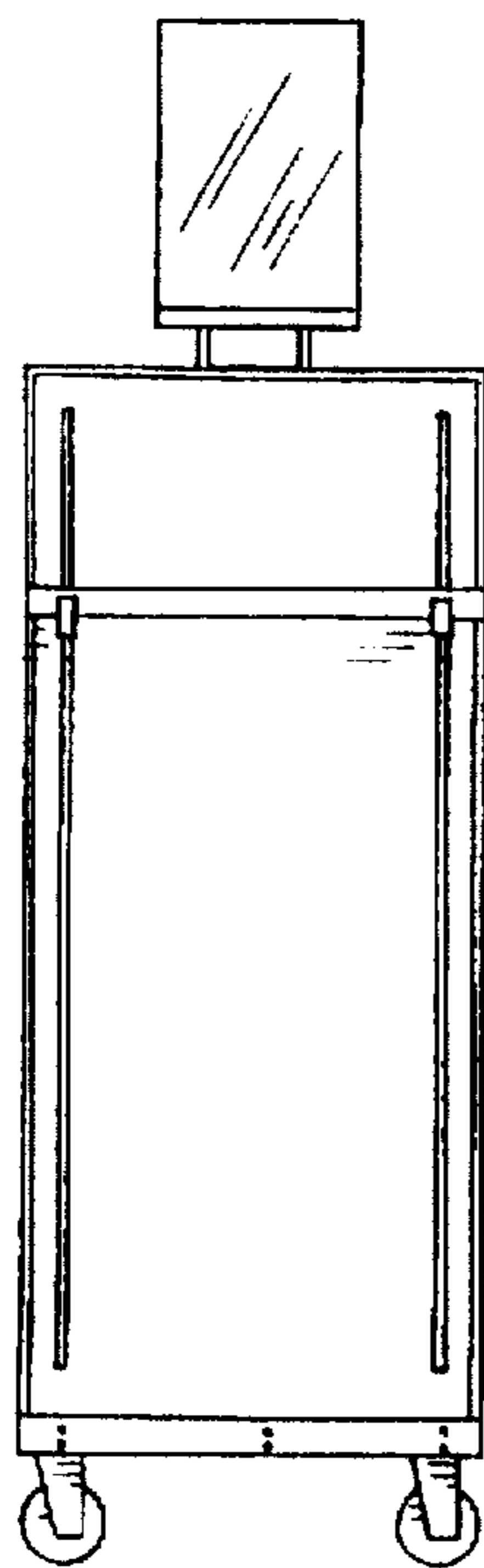


FIG. 4

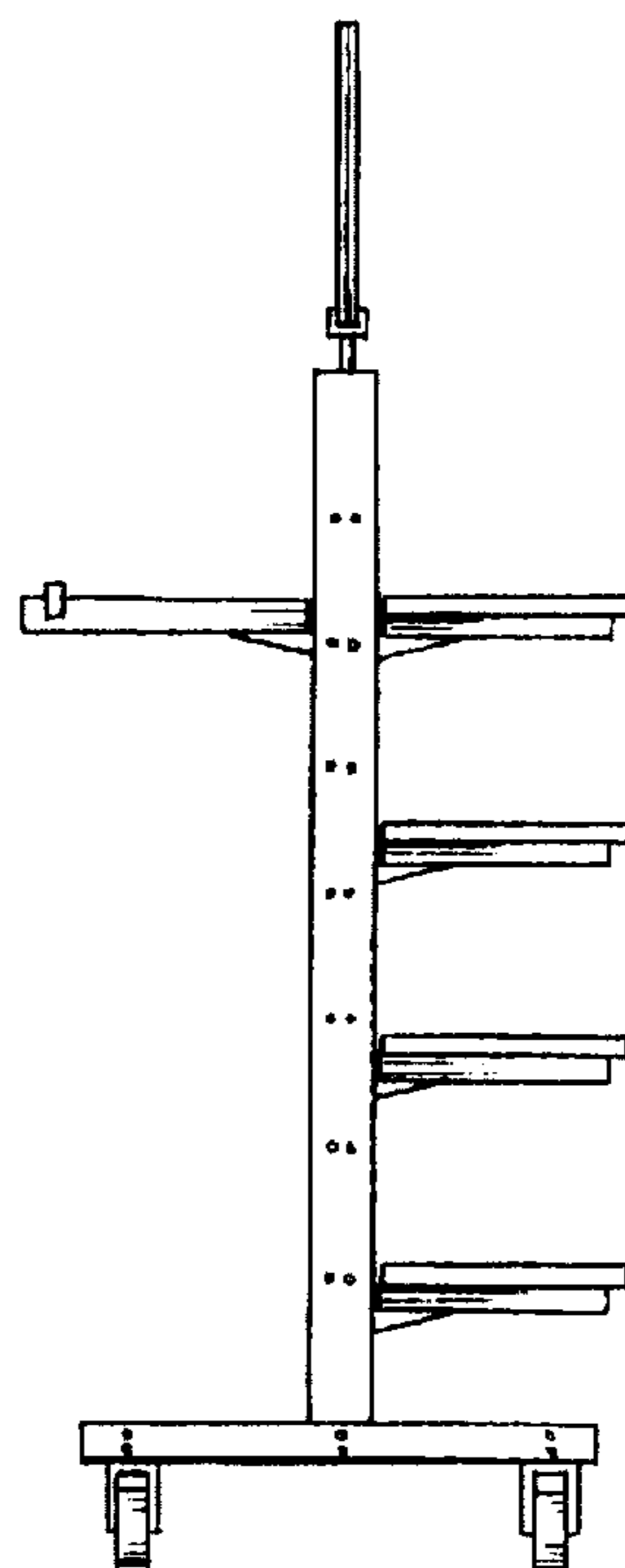


FIG. 3

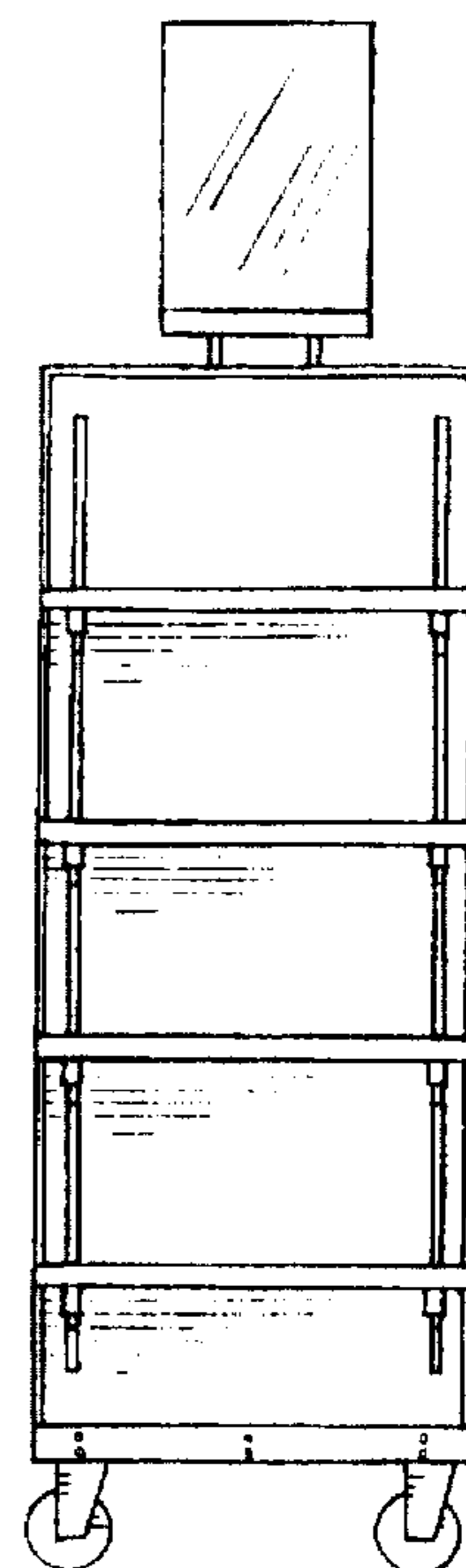


FIG. 2