



US00D394359S

United States Patent [19]

[11] Patent Number: **Des. 394,359**

Natuzzi et al.

[45] Date of Patent: ****May 19, 1998**

[54] SEAT

[75] Inventors: **Pasquale Natuzzi**, Santeramo In Colle;
Arcangelo Scarati, Talsano, both of Italy

[73] Assignee: **Industrie Natuzzi, Spa**, Bari, Italy

[**] Term: **14 Years**

[21] Appl. No.: **63,613**

[22] Filed: **Dec. 11, 1996**

[51] LOC (6) Cl. **06-01**

[52] U.S. Cl. **D6/381; D6/334; D6/335**

[58] Field of Search **D6/334, 335, 364, D6/371, 373, 381, 500, 501, 502; 297/232**

[56] References Cited

U.S. PATENT DOCUMENTS

D. 337,692	7/1993	Natuzzi et al.	D6/381
D. 353,062	12/1994	Natuzzi et al.	D6/381
D. 360,774	8/1995	Natuzzi et al.	D6/381
D. 363,614	10/1995	Natuzzi et al.	D6/381
D. 374,356	10/1996	Natuzzi et al.	D6/381

OTHER PUBLICATIONS

- Natuzzi Model 1221, Oct., 1994, at International Home Furnishings Market in High Point, North Carolina.
- Natuzzi Model 1249, Oct., 1994, at International Home Furnishings Market in High Point, North Carolina.
- Natuzzi Model 1265, Mar., 1995, at International Home Furnishings Market in High Point, North Carolina.
- Natuzzi Model 1364, Oct., 1995, at International Home Furnishings Market in High Point, North Carolina.
- Natuzzi Model 1059, Apr., 1993, at International Home Furnishings Market in High Point, North Carolina.
- Natuzzi Model 1093, Oct., 1993, at International Home Furnishings Market in High Point, North Carolina.
- Natuzzi Model 1175, Apr., 1994, at International Home Furnishings Market in High Point, North Carolina.
- Natuzzi Model 879, Apr., 1991, at International Home Furnishings Market in High Point, North Carolina.
- Natuzzi Model 864, Oct., 1991, at International Home Furnishings Market in High Point, North Carolina.

- Natuzzi Model 604/605, Oct., 1987, at International Home Furnishings Market in High Point, North Carolina.
- Natuzzi Model 884, Apr., 1991, at International Home Furnishings Market in High Point, North Carolina.
- Natuzzi Model 757, Apr., 1990, at International Home Furnishings Market in High Point, North Carolina.
- Natuzzi Model 761, Apr., 1990, at International Home Furnishings Market in High Point, North Carolina.

(List continued on next page.)

Primary Examiner—Gary D. Watson
Attorney, Agent, or Firm—Bell, Seltzer Intellectual Property Law Group of Altson & Bird LLP

[57] CLAIM

The ornamental design for a seat, as shown and described

DESCRIPTION

FIG. 1 is a front perspective view of a seat showing our new design in the form of a sofa;
 FIG. 2 is a front elevational view thereof;
 FIG. 3 is a top plan view thereof;
 FIG. 4 is a right side elevational view, the left side being a mirror image thereof;
 FIG. 5 is a rear perspective view thereof;
 FIG. 6 is a front elevational view of a seat showing our new design in the form of a loveseat;
 FIG. 7 is a front elevational view of a seat showing our new design in the form of a chair;
 FIG. 8 is a front perspective view of a seat showing our new design in the form of a sectional;
 FIG. 9 is a top plan view thereof; and
 FIG. 10 is a rear perspective view thereof.

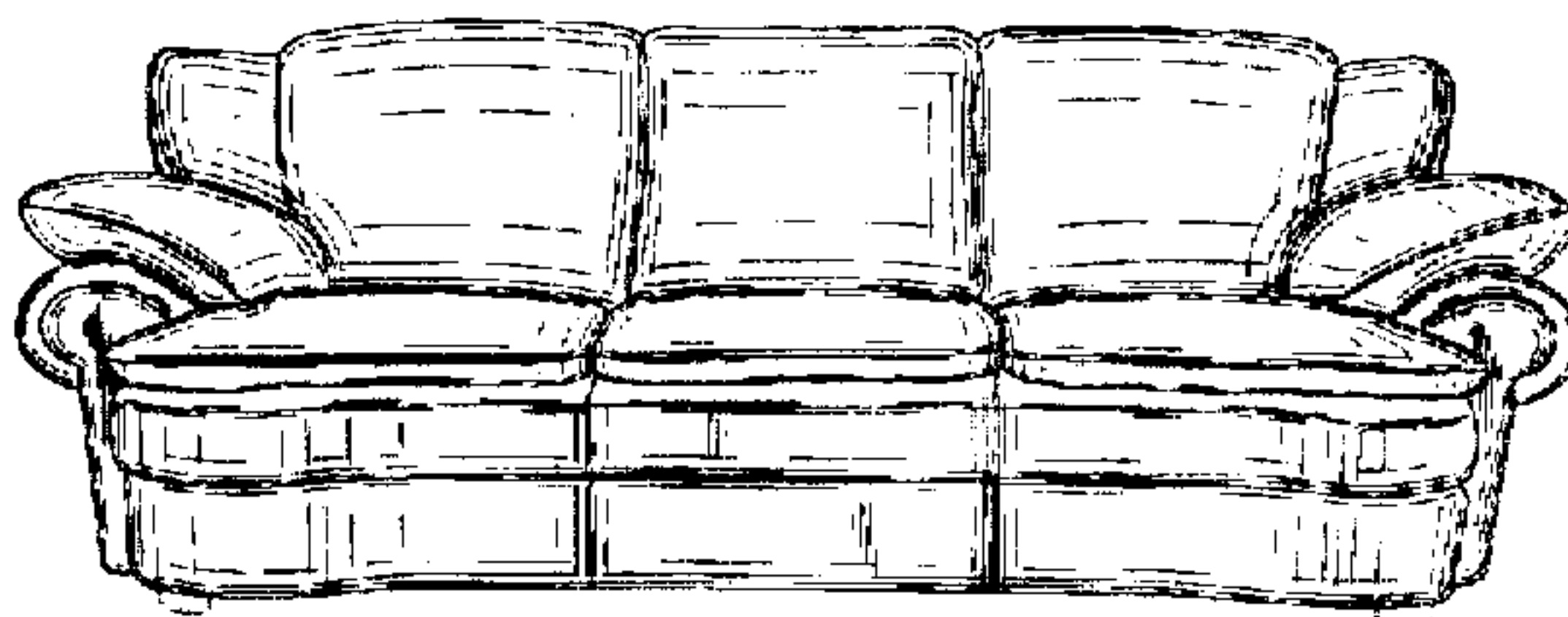
The broken lines shown herein are for illustrative purposes only and form no part of the claimed design.

The rear views of FIGS. 6 and 7 are like FIG. 5, the difference being a matter of length.

The end views of FIGS. 6 and 7 are like that shown in FIG. 4.

FIGS. 1 and 5 have been shown on an enlarged scale with respect to other views.

1 Claim, 6 Drawing Sheets



OTHER PUBLICATIONS

Natuzzi Model 764, Apr., 1990, at International Home Furnishings Market in High Point, North Carolina.
Natuzzi Model 827, Apr., 1991, at International Home Furnishings Market in High Point, North Carolina.
Natuzzi Model 848, Apr., 1991, at International Home Furnishings Market in High Point, North Carolina.
Natuzzi Model 867, Oct., 1991, at International Home Furnishings Market in High Point, North Carolina.

Natuzzi Model 1013, Apr., 1993, at International Home Furnishings Market in High Point, North Carolina.

Natuzzi Model 1068, Oct., 1993, at International Home Furnishings Market in High Point, North Carolina.

Natuzzi Model 1073, Apr., 1993, at International Home Furnishings Market in High Point, North Carolina.

Natuzzi Model 1123, Jan., 1994, at International Home Furnishings Market in High Point, North Carolina.

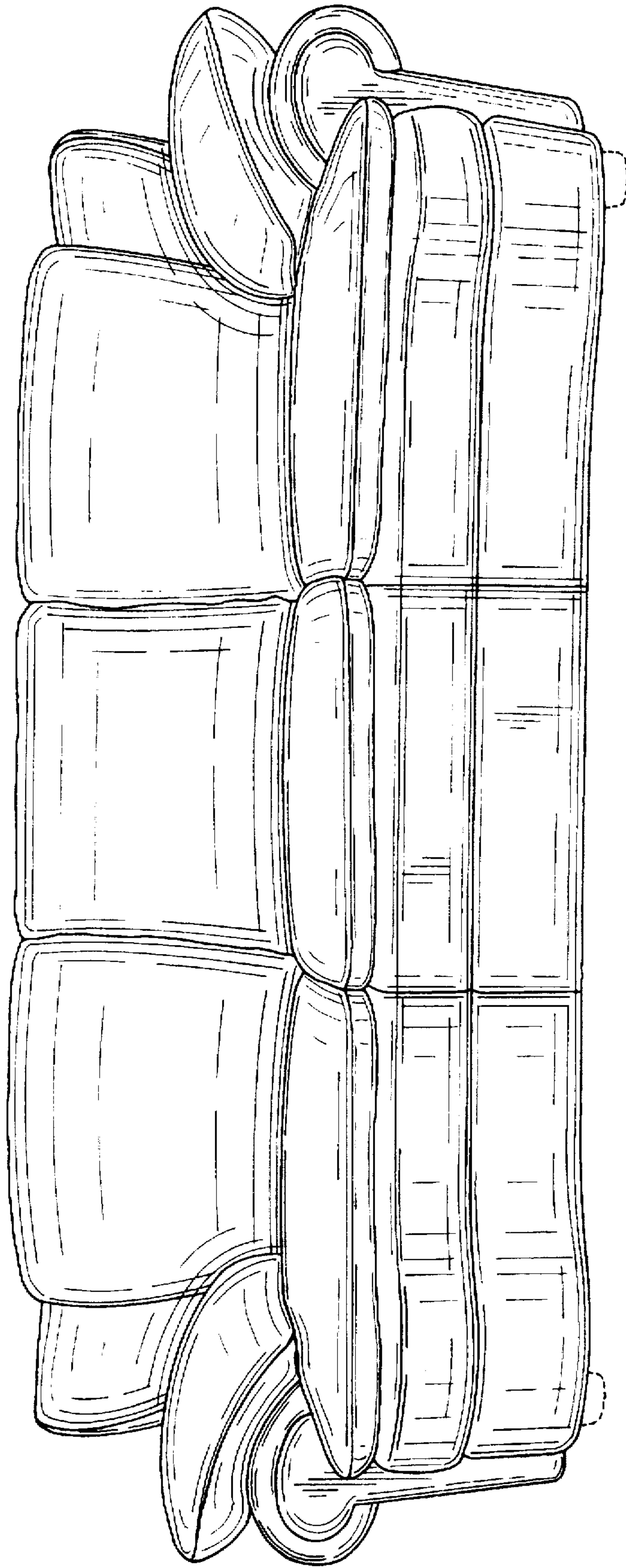


FIG. 1.

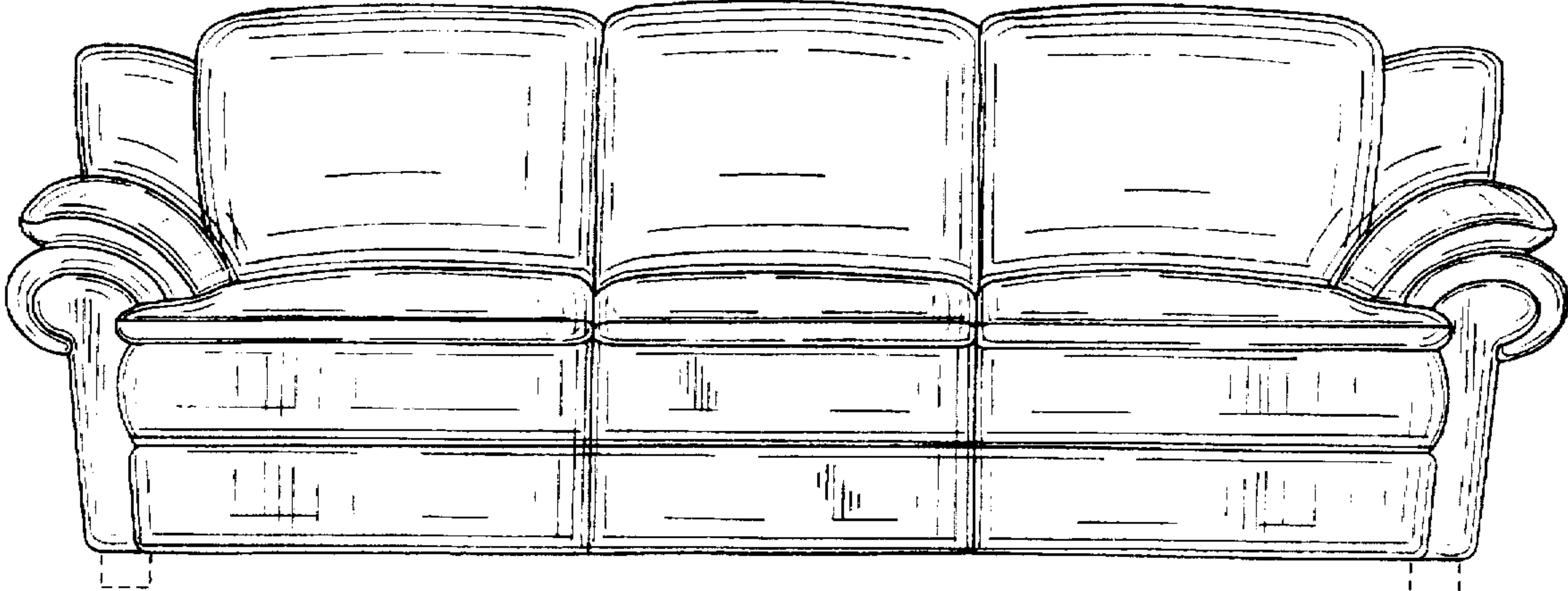


FIG. 2.

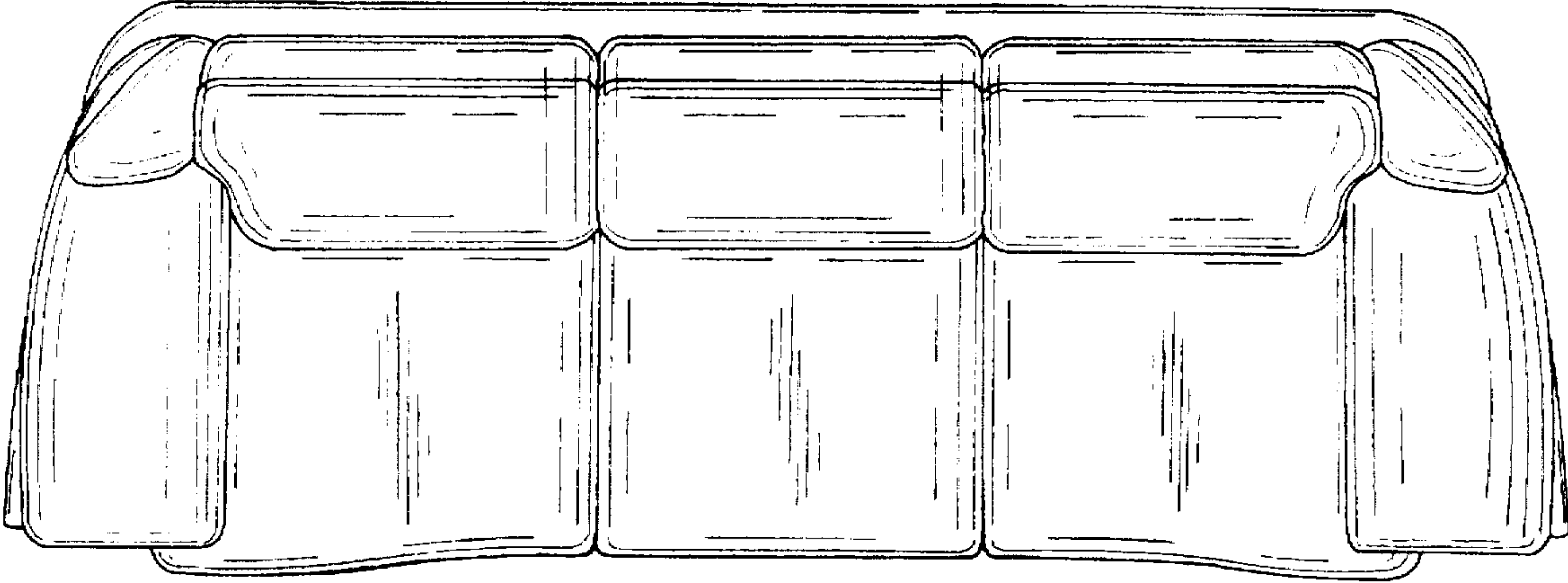


FIG. 3.

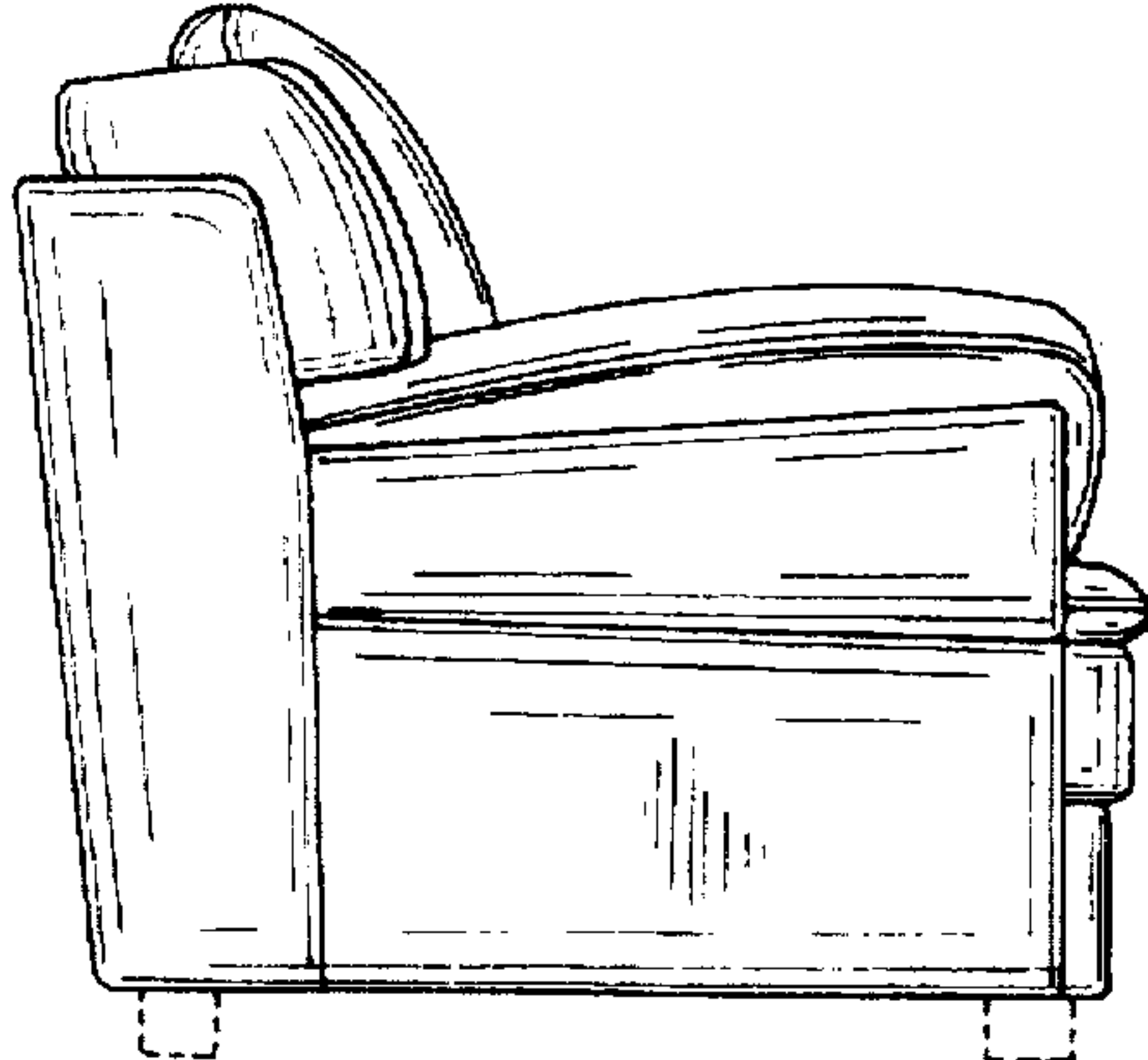


FIG. 4.

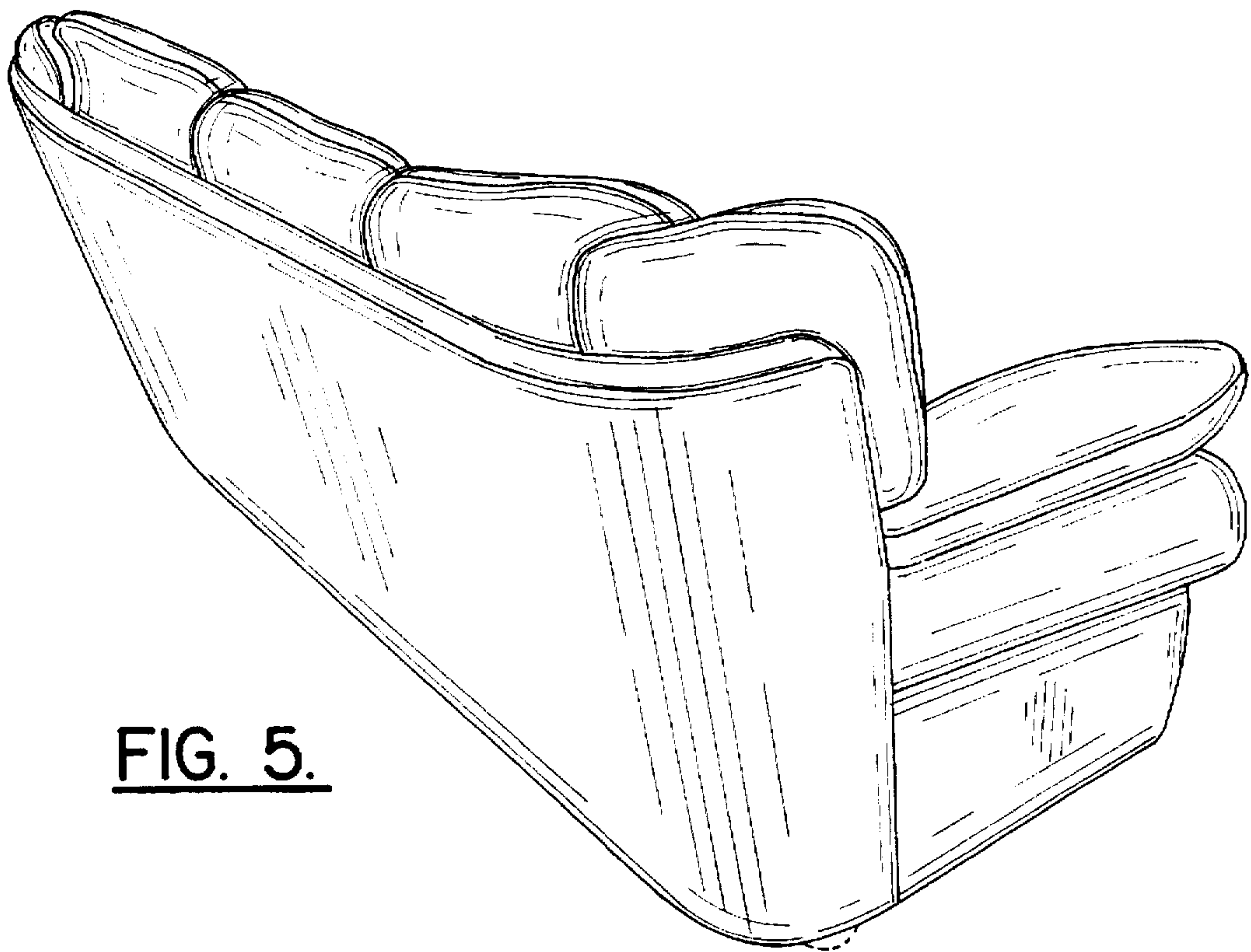


FIG. 5.

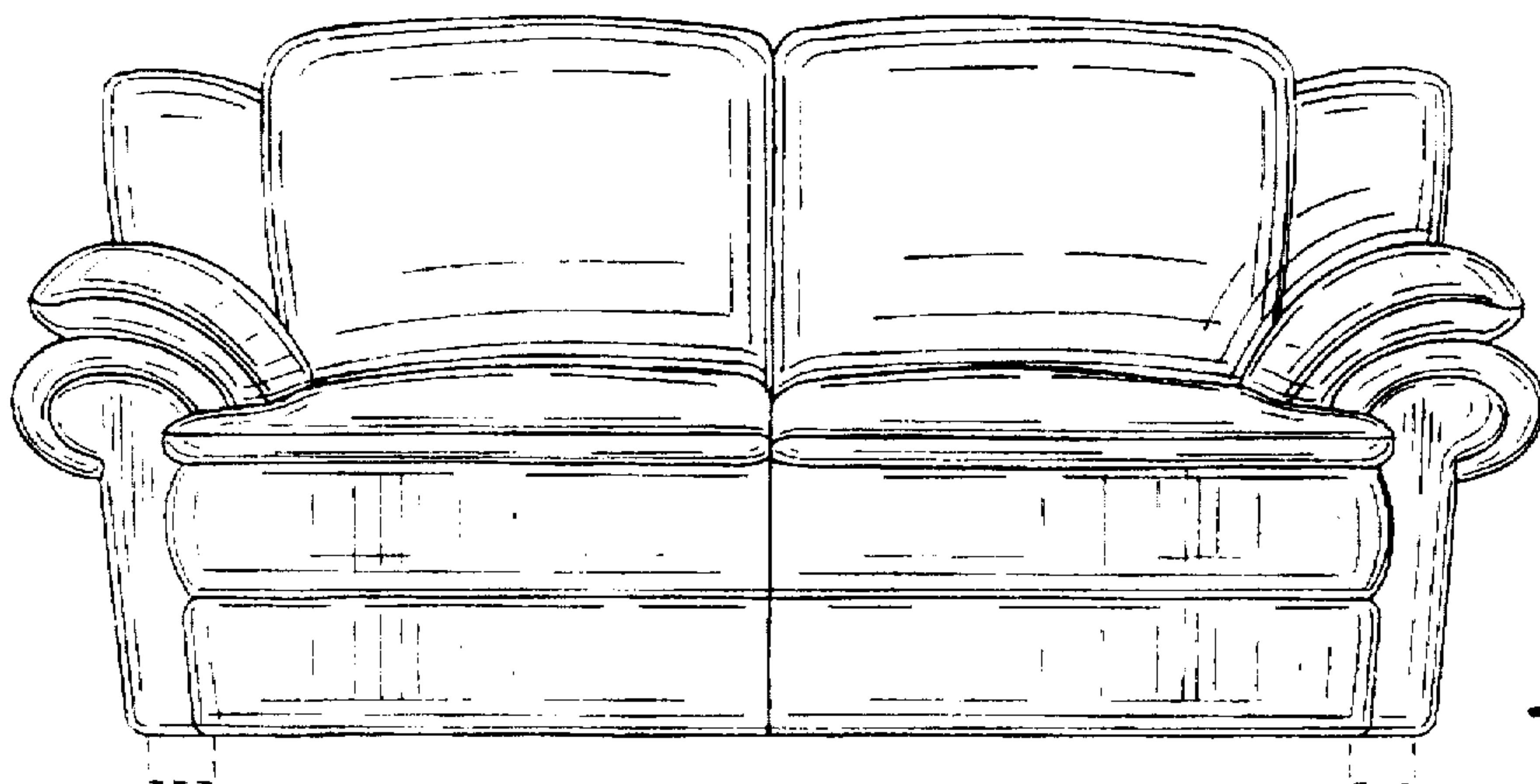


FIG. 6.

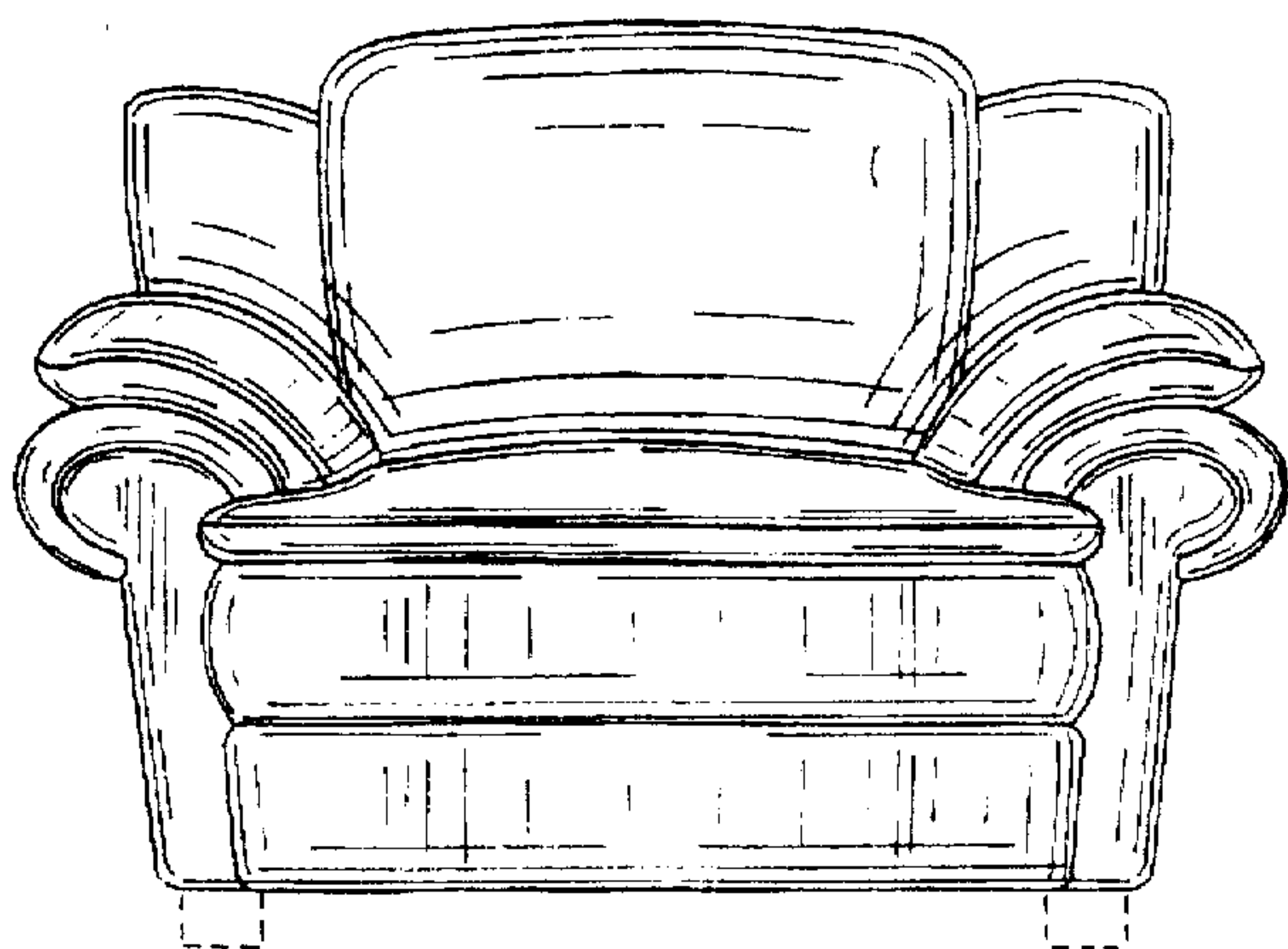


FIG. 7.

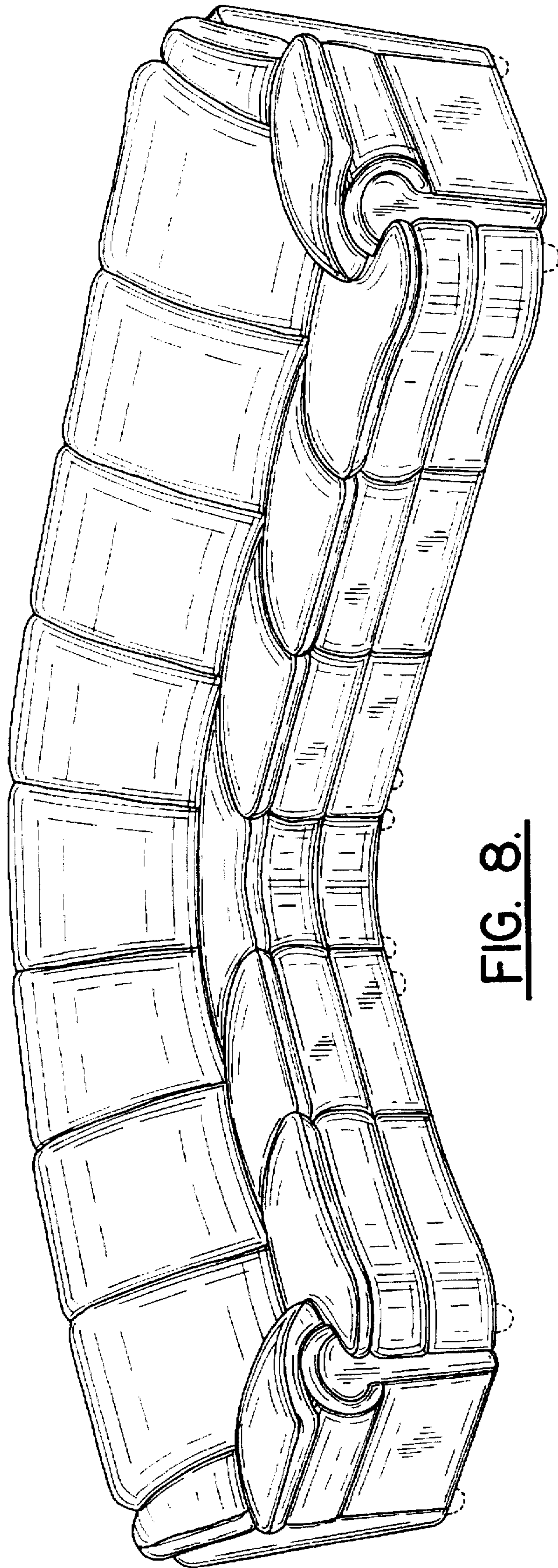


FIG. 8.

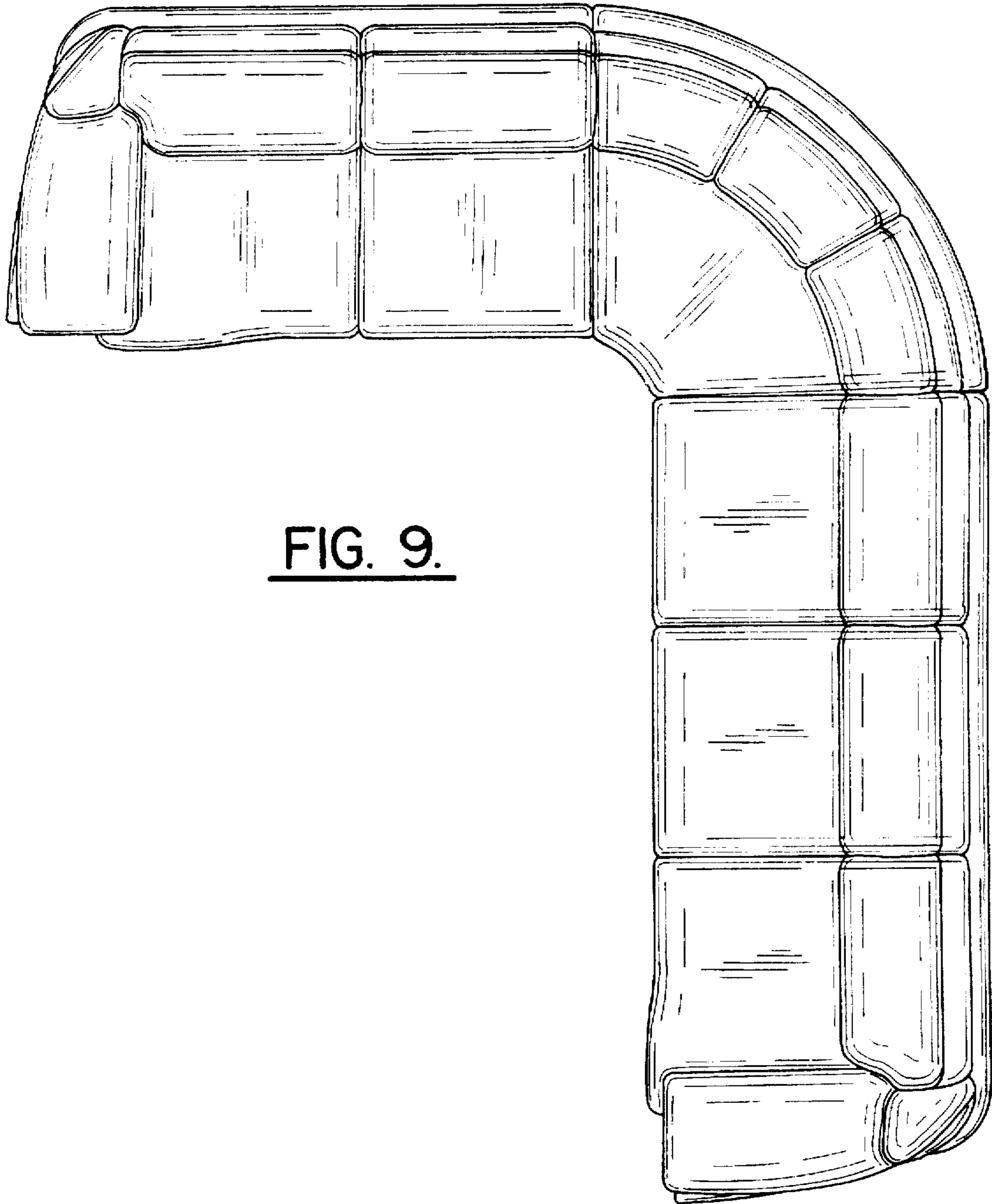


FIG. 9.

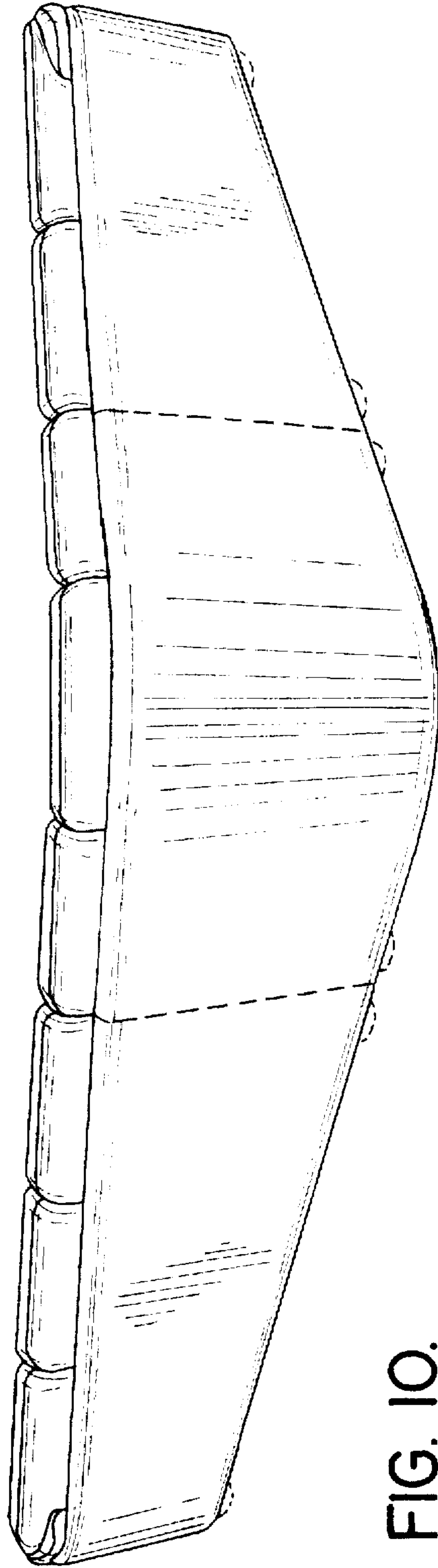


FIG. 10.