



US00D394357S

United States Patent [19]
Mulder

[11] **Patent Number: Des. 394,357**

[45] **Date of Patent: **May 19, 1998**

[54] **MAGNETIC CURTAIN ROD BRACKET**

[76] **Inventor: Scott Mulder**, 1460 Grandview Ave.,
Suite 5, Thorofare, N.J. 08066

[**] **Term: 14 Years**

[21] **Appl. No.: 74,886**

[22] **Filed: Aug. 11, 1997**

[51] **LOC (6) Cl. 08-05**

[52] **U.S. Cl. D8/363**

[58] **Field of Search D8/363, 354, 380;**
248/262, 243, 250

[56] **References Cited**

U.S. PATENT DOCUMENTS

4,662,596 5/1987 Haarer 248/262 X

Primary Examiner—Holly Baynham
Attorney, Agent, or Firm—Norman E. Lehrer

[57] **CLAIM**

The ornamental design for a “magnetic curtain rod bracket”,
as shown and described.

DESCRIPTION

FIG. 1 is a front right side perspective view of a “magnetic
curtain rod bracket” showing my new design;
FIG. 2 is a front elevational view thereof;
FIG. 3 is a right side elevational view thereof;
FIG. 4 is a left side elevational view thereof;
FIG. 5 is a rear elevational view thereof; and,
FIG. 6 is a bottom plan view thereof, the top plan view being
the mirror image.

1 Claim, 1 Drawing Sheet

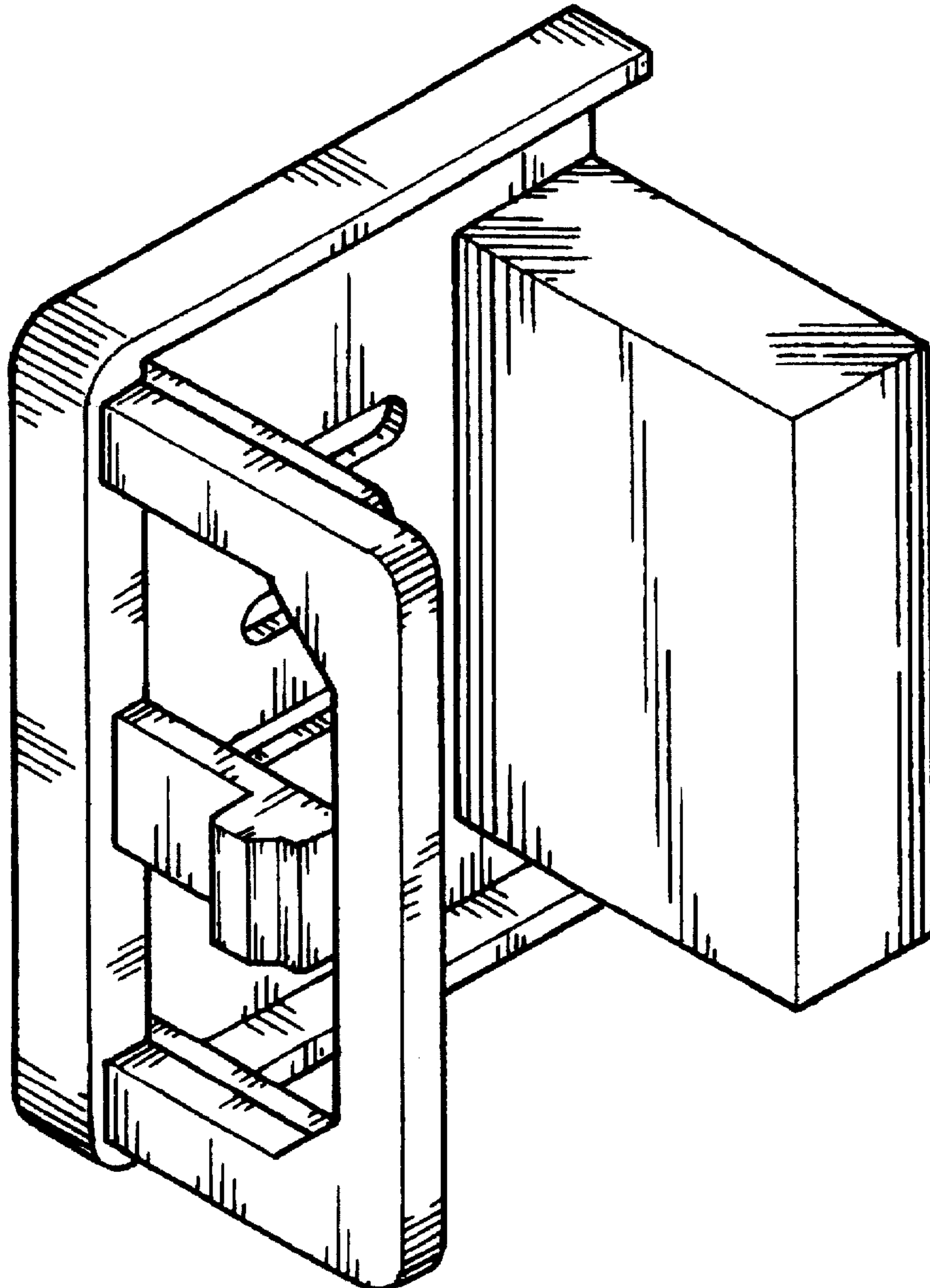


Fig. 1

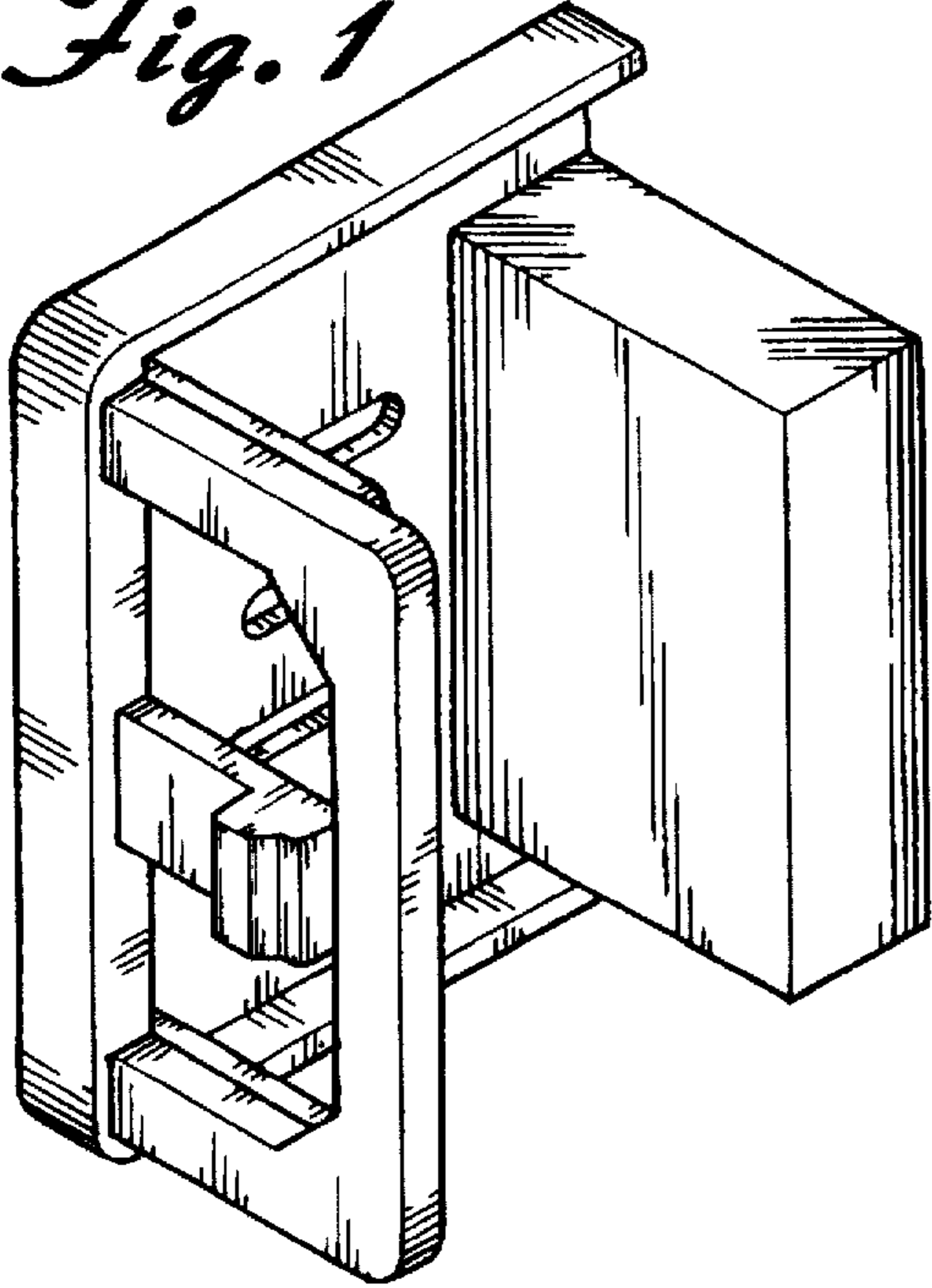


Fig. 3

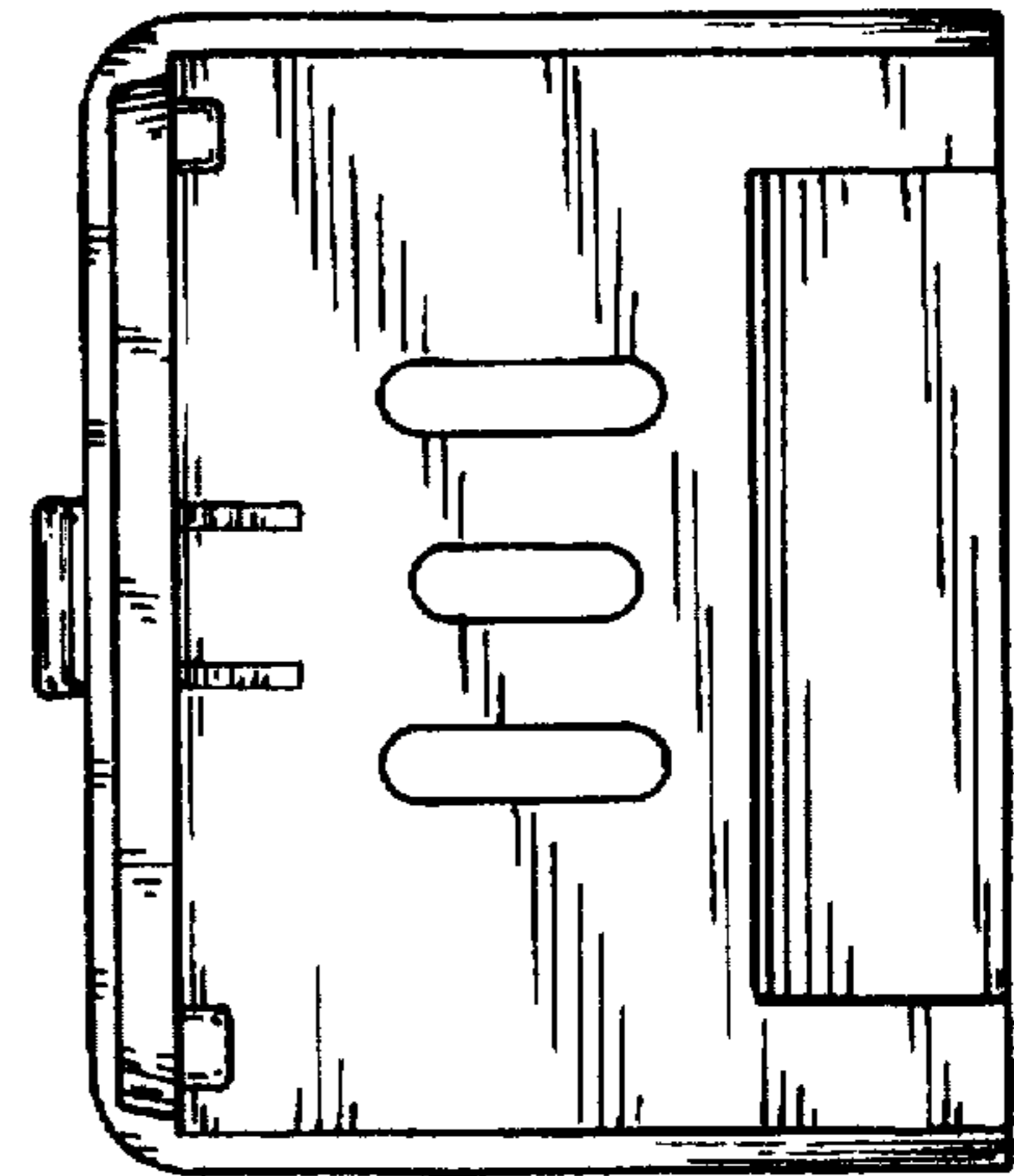


Fig. 2

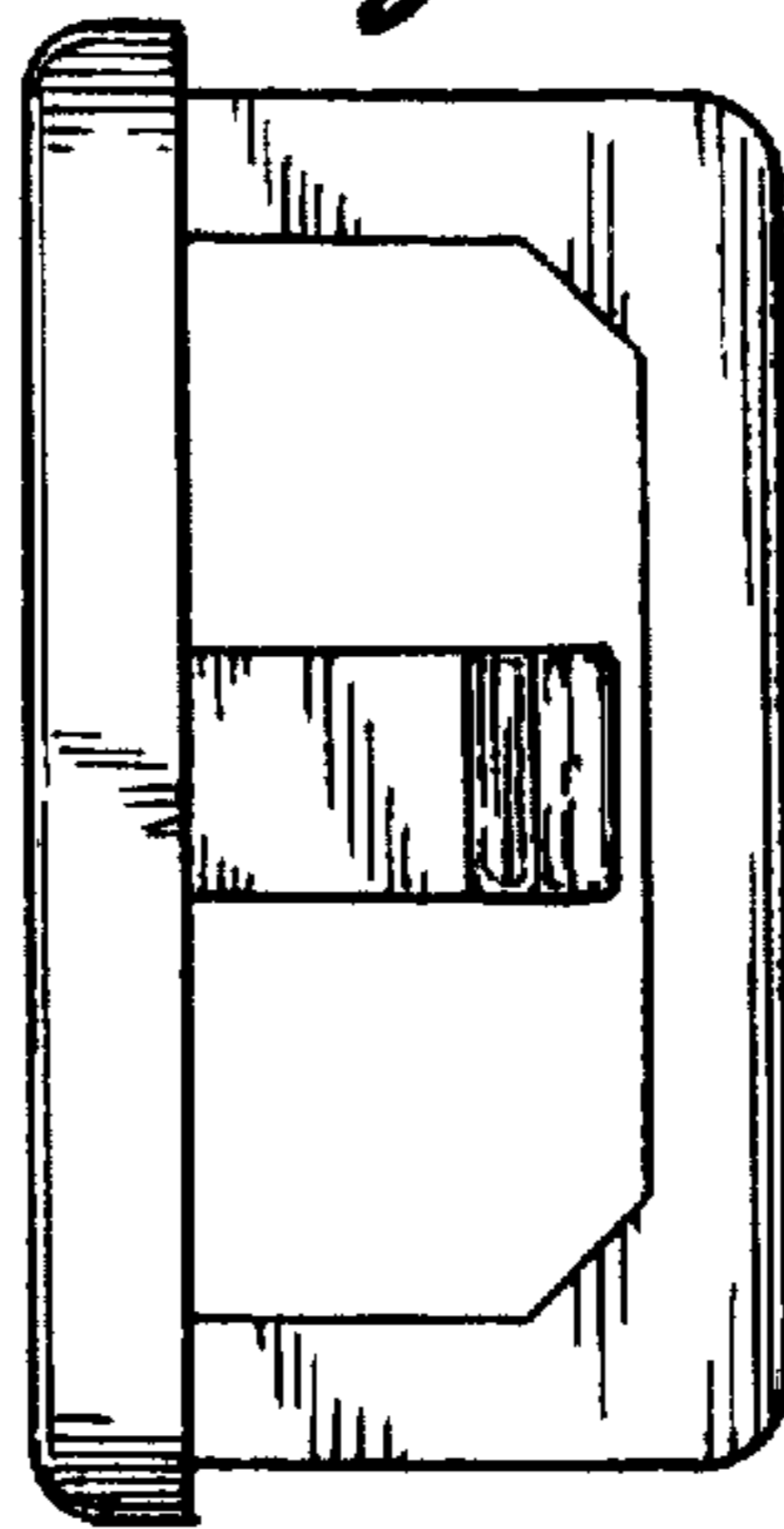


Fig. 5

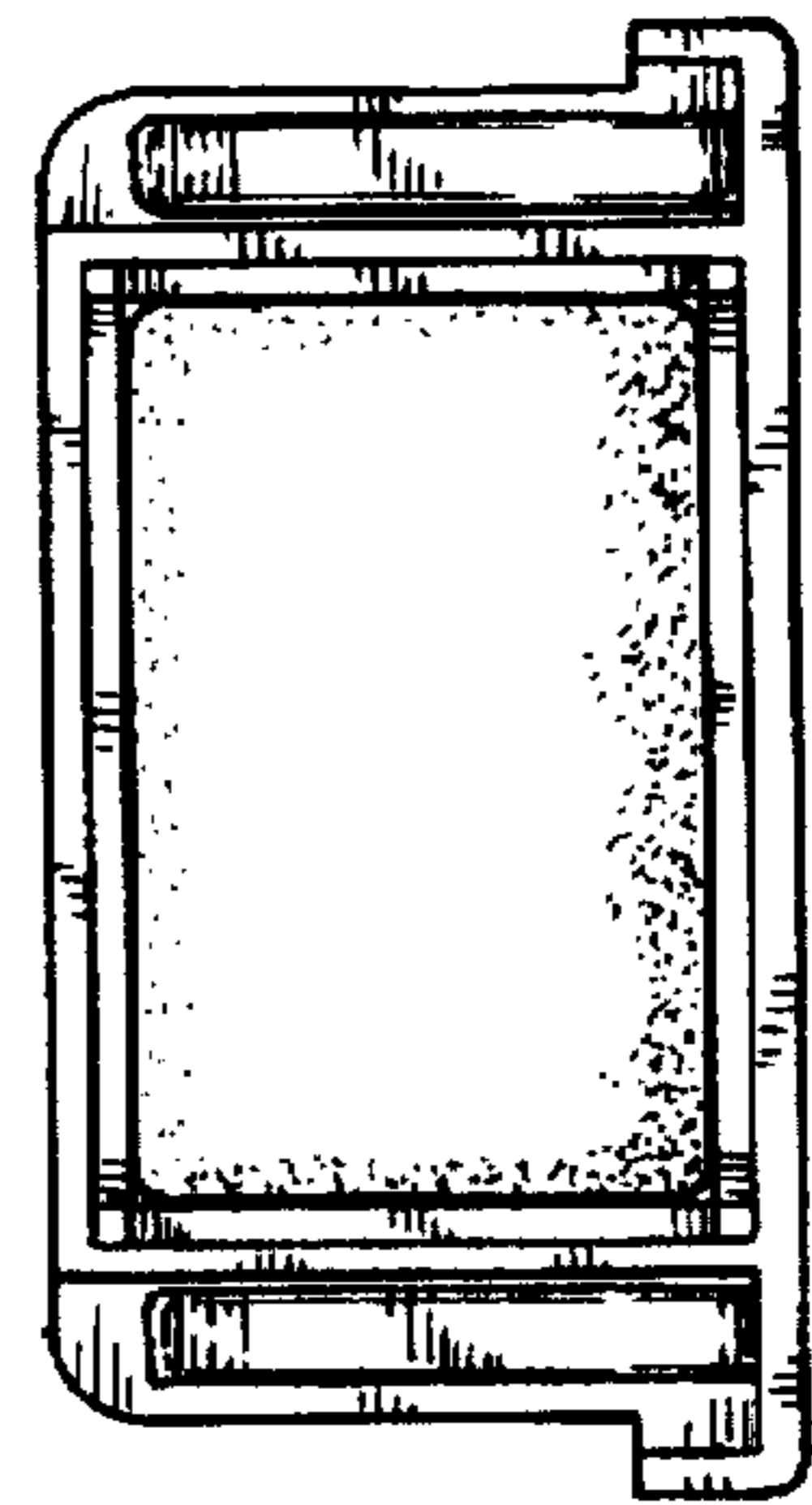


Fig. 4

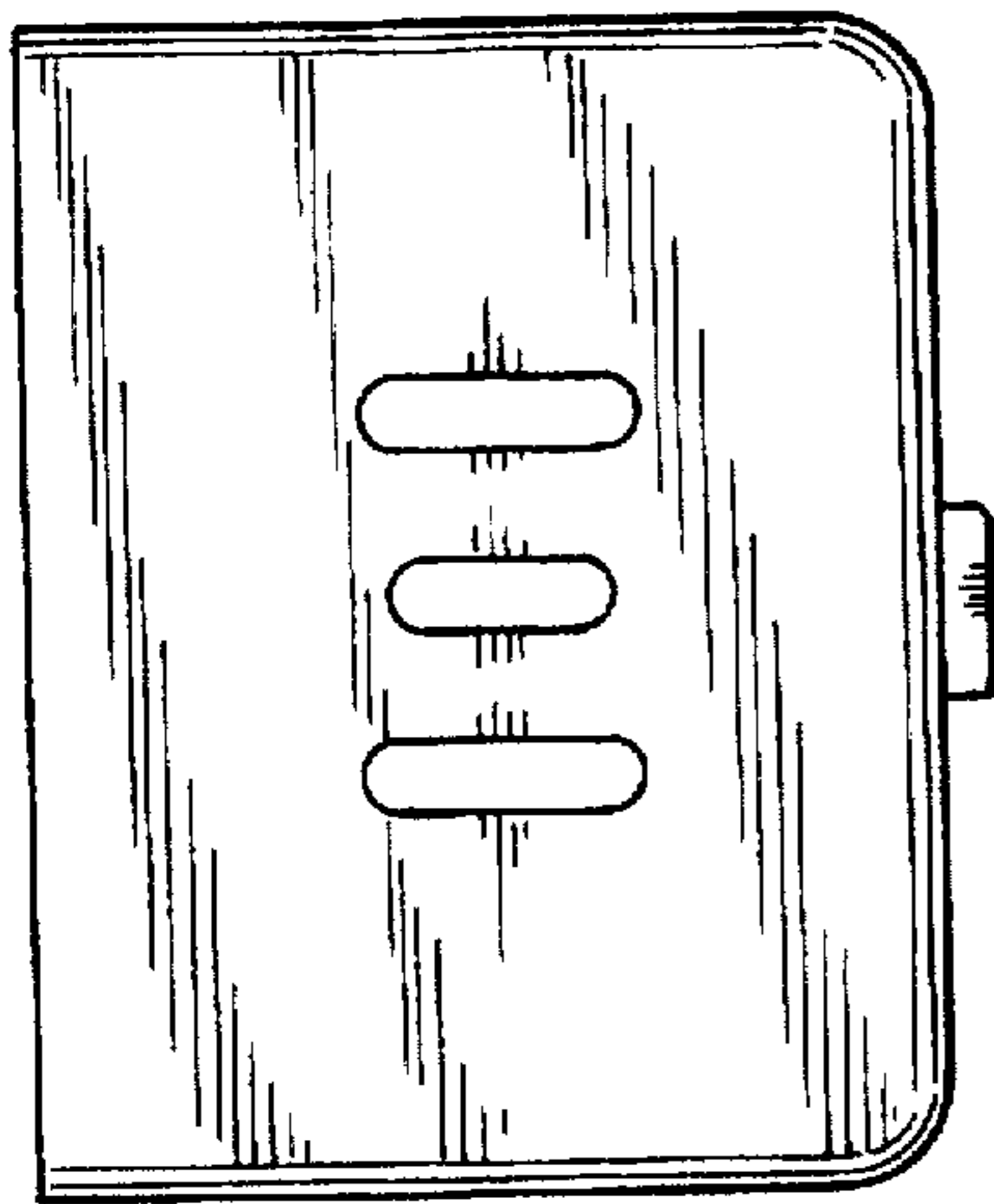


Fig. 6

