



US00D394351S

United States Patent [19]
Henderson

[11] **Patent Number: Des. 394,351**
[45] **Date of Patent: **May 19, 1998**

[54] **SHOPPER'S BAG CARRIER**
[76] Inventor: **John H. Henderson**, 7406 W. Forest
Preserve Dr., Chicago, Ill. 60634
[**] Term: **14 Years**
[21] Appl. No.: **75,381**
[22] Filed: **Aug. 18, 1997**
[51] LOC (6) Cl. **03-99**
[52] U.S. Cl. **D3/328**
[58] **Field of Search** D3/315, 328, 207,
D3/318; 248/215, 301, 304, 307, 316.7,
914; 224/168; D8/367; 294/26, 137

3,799,416 3/1974 Schmaltz 248/914 X
3,860,210 1/1975 Berardinelli et al. 248/914 X
4,004,770 1/1977 Karass 248/215 X
5,094,417 3/1992 Creed 248/914 X
5,489,078 2/1996 Riskey 248/215 X

Primary Examiner—Prabhakar G. Deshmukh
Attorney, Agent, or Firm—Walter C. Ramm

[57] **CLAIM**

The ornamental design for a shopper's bag carrier, as shown.

DESCRIPTION

FIG. 1 is a front elevation view of the shopper's bag carrier of my new design;
FIG. 2 is the top plan view thereof;
FIG. 3 is the right-side elevation view thereof;
FIG. 4 is the bottom plan view thereof;
FIG. 5 is the left-side elevation view thereof; and,
FIG. 6 is a perspective view thereof.

[56] **References Cited**
U.S. PATENT DOCUMENTS

D. 314,864 2/1991 Creed D3/328
D. 362,386 9/1995 Blocker D3/328 X
D. 369,470 5/1996 Suggs, Jr. D3/328
3,618,176 11/1971 Barnes 248/914 X

1 Claim, 2 Drawing Sheets

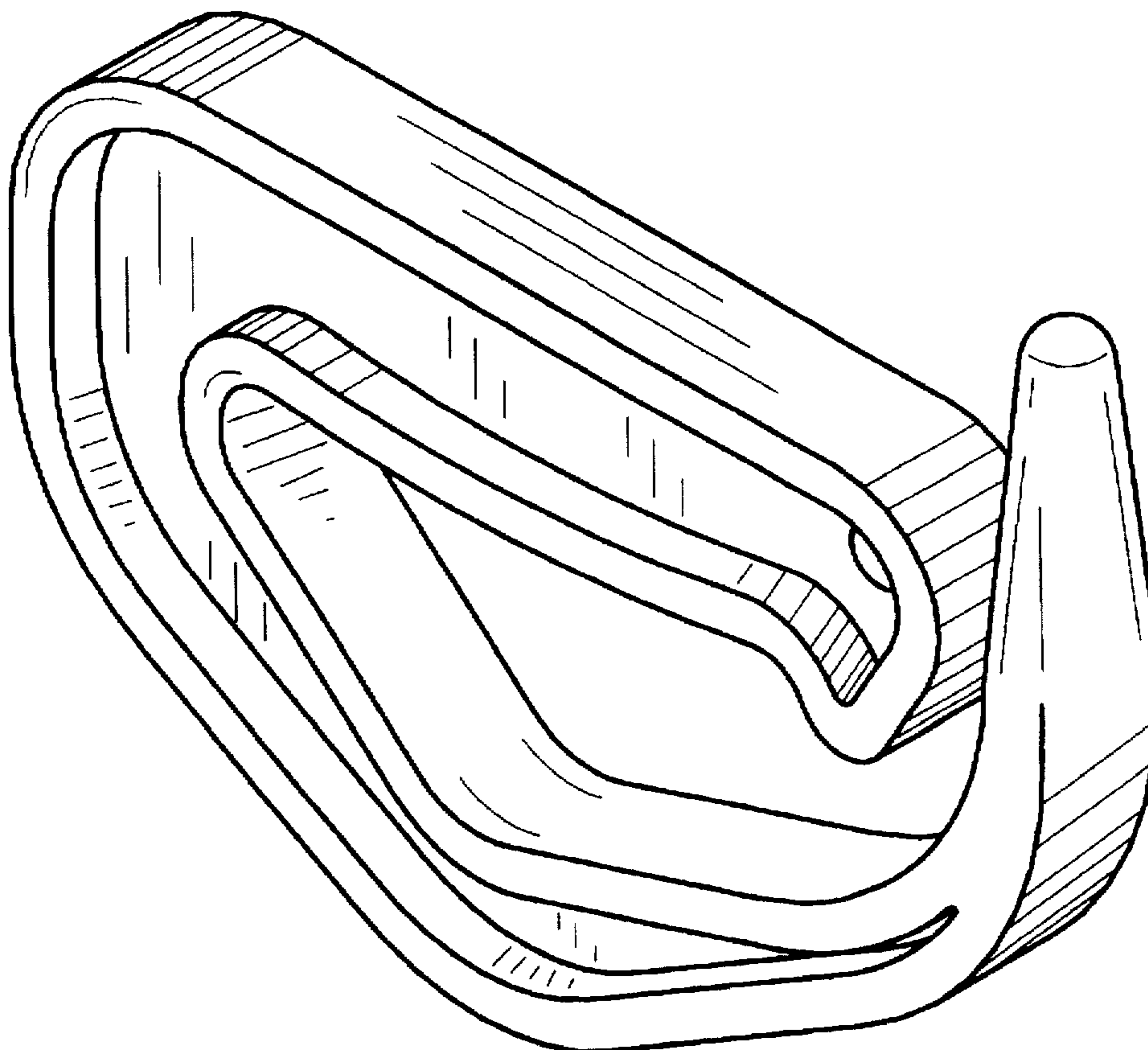




FIG. 2

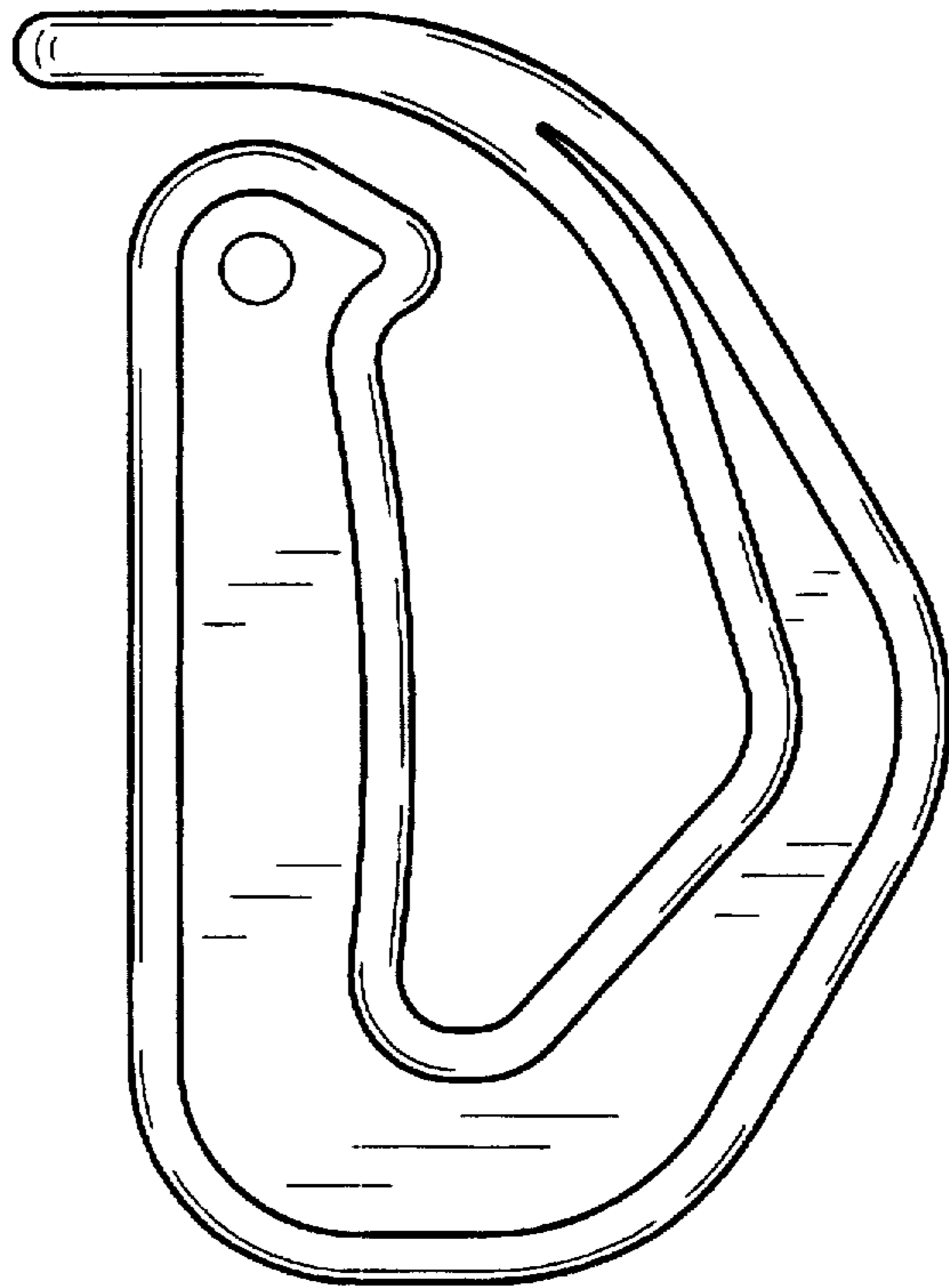


FIG. 1

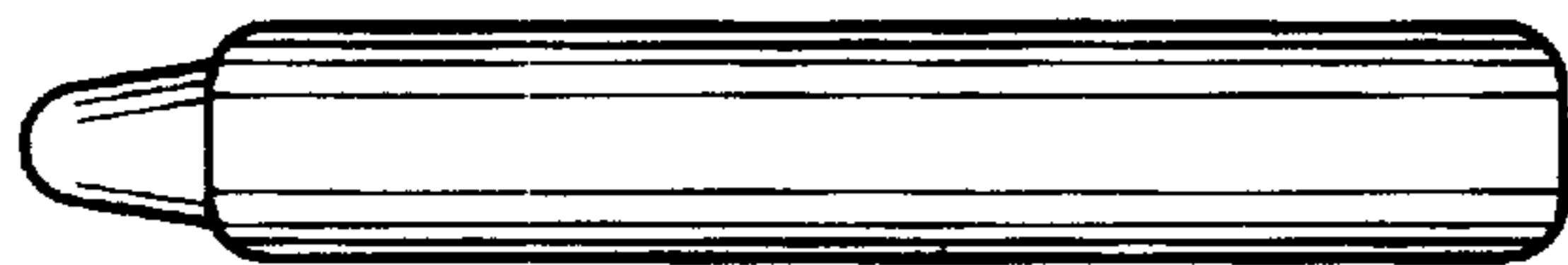


FIG. 3

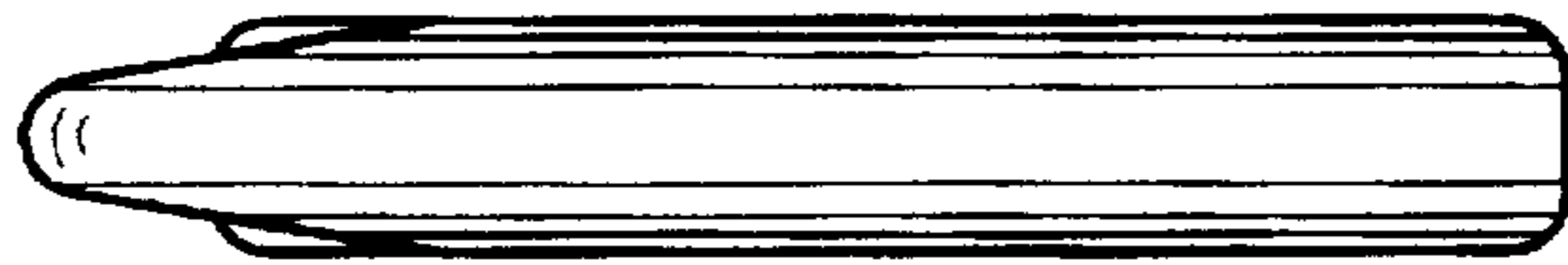


FIG. 5



FIG. 4

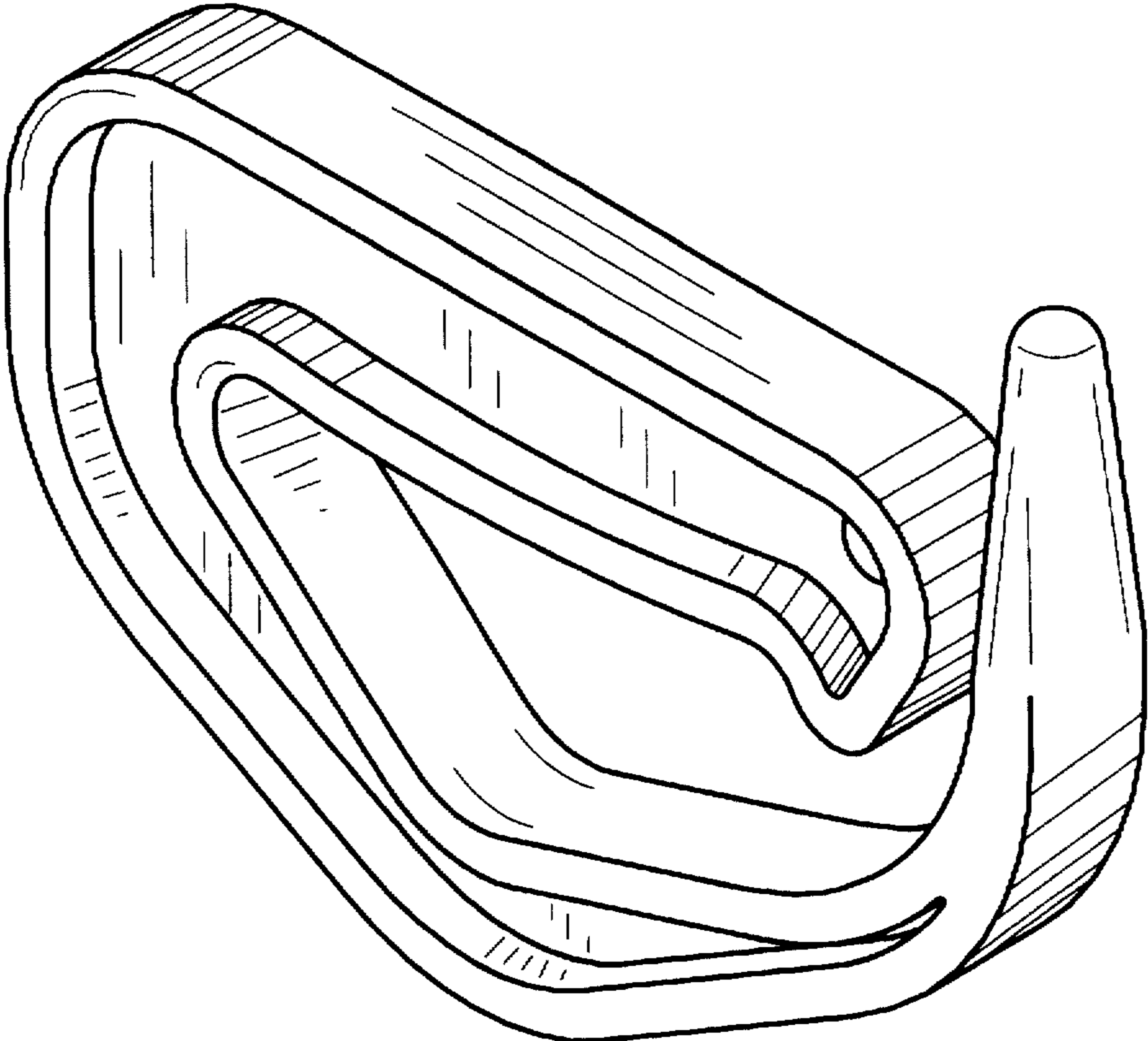


FIG. 6