



US00D394350S

United States Patent [19]

[11] Patent Number: **Des. 394,350**

Zimmerman

[45] Date of Patent: *****May 19, 1998**

[54] CONTAINER

[75] Inventor: **Larry Gene Zimmerman**, Hollis, N.H.

[73] Assignee: **Sterilite Corporation**, Townsend, Mass.

[*] Notice: The portion of the term of this patent subsequent to Mar. 12, 2010, has been disclaimed.

[**] Term: **14 Years**

[21] Appl. No.: **48,197**

[22] Filed: **Dec. 22, 1995**

Related U.S. Application Data

[63] Continuation-in-part of Ser. No. 10,703, Jul. 15, 1993, Pat. No. Des. 367,760.

[51] LOC (6) Cl. **03-01**

[52] U.S. Cl. **D3/314**

[58] Field of Search D9/424, 425, 432, D9/418; D3/304, 309, 312-314; 206/503, 504, 507, 518, 776; 220/1.5, 662, 669, 675, 657, 659, 645, 602; 211/126

[56] References Cited

U.S. PATENT DOCUMENTS

D. 277,993	3/1985	Sinchok	D9/425	X
D. 297,875	9/1988	Carville	.		
D. 302,774	8/1989	Murphy	.		
D. 342,896	1/1994	Gottofredi	D9/425	
D. 357,120	4/1995	Miller	D3/312	
D. 363,604	10/1995	Koenig et al.	D3/312	
D. 372,123	7/1996	Kobilarcik et al.	D3/314	X
2,995,271	8/1961	Frater et al.	206/507	
3,170,594	2/1965	Nascher	206/507	
3,447,715	6/1969	Beney	206/507	
3,734,341	5/1973	Levenhagen	.		

OTHER PUBLICATIONS

Sterilite Tote Bin No. 1682 Catalog Sheet pre-1993.
Sterilite Tote Bins No. 1683 Catalog Sheet pre-1993.
Sterilite Tote Bins No. 1686,1684 Catalog Sheet pre-1993.
Sterilite Recycling Solutions Catalog pre-1993.
Sterilite Home Storage and Utility Catalog, Nos.1652,1654, 1656 pre-1993.

Sterilite Store N'-Save Catalog Sheet, No. 1650 pre-1993.
Sterilite 3pc. Soft Seal Food Keeps No. 337 Catalog Sheet pre-1993.
Sterilite Flavor Savers Catalog Sheet pre-1993.
Sterilite Storage Drawers No. 1633 Catalog Sheet pre-1993.
Sterilite Storage Boxes Catalog Sheet pre-1993.
Sterilite Storage Box No. 1652 Catalog Sheet pre-1993.
Sterilite Storage Boxes Catalog Sheet pre-1993.
Sterilite Microwave Reheatable Catalog pre-1993.
Sterilite Home Storage & Utility Catalog Sheet pre-1993.
Tucker Ram-Tuff Tote Containers Catalog Aug. 1989.
Tucker Plastic Housewares 1972 Catalog p. 18.
Tucker Housewares Catalog pre-1993, p. 20.
Tucker Housewares Catalog pre-1993, p. 28.
Tucker Pastel Colors Catalog Sheets pre-1993.
Rubbermaid Food Service Products Catalog 1991, p. 25.
Rubbermaid and Matting Catalog 1991, Consolidated Plastics Company, Inc. pp. 12,18,33.
Rubbermaid and Matting Catalog 1993, Consolidated Plastics Company, Inc. pp. 12,19,29.
Rubbermaid Annual Report 1985, p. 11.
Rubbermaid 1978 Housewares Catalog, p. 16.
Rubbermaid Conquers Space Catalog pre-1993.
Caldor Grand Opening Sale Circular Advertisement pre-1993, p. 7.
Lewisystems, 1983 Cat, p. 20.
Global Industrial Equipment© 1990, p. 34.

Primary Examiner—Prabhakar G. Deshmukh
Attorney, Agent, or Firm—Ernest V. Linek

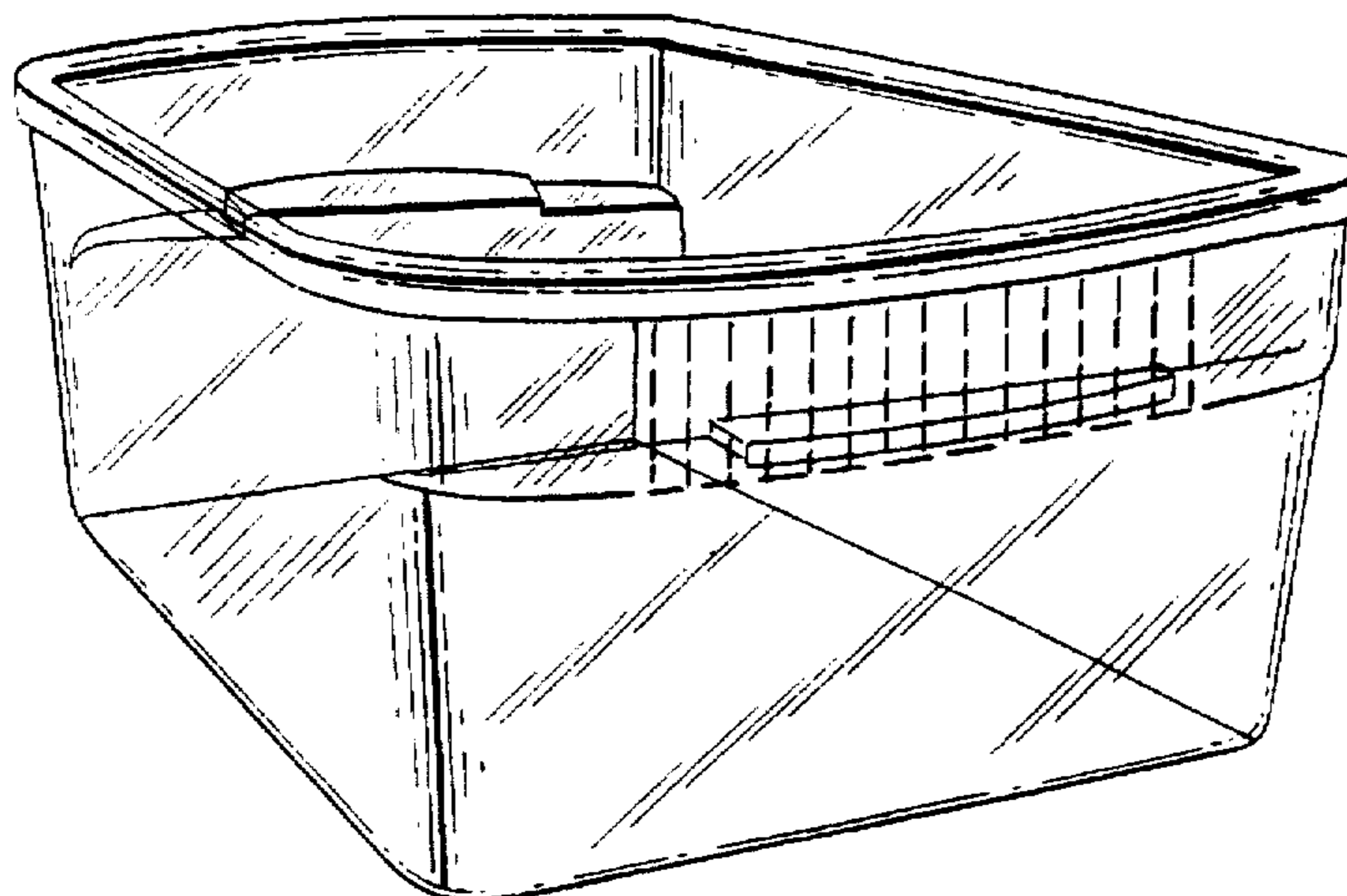
[57] CLAIM

The ornamental design of a container, as shown and described.

DESCRIPTION

FIG. 1 is a perspective view of a container showing my new design;
FIG. 2 is a top plan view thereof;
FIG. 3 is a front elevational view thereof; the rear elevational view being a mirror image thereof;
FIG. 4 is a right side elevational view thereof; the left side elevational view being a mirror image thereof; and,
FIG. 5 is a bottom plan view thereof.
The broken lines showing of ribs are shown for illustrative purpose only and forms no part of the claim.

1 Claim, 2 Drawing Sheets



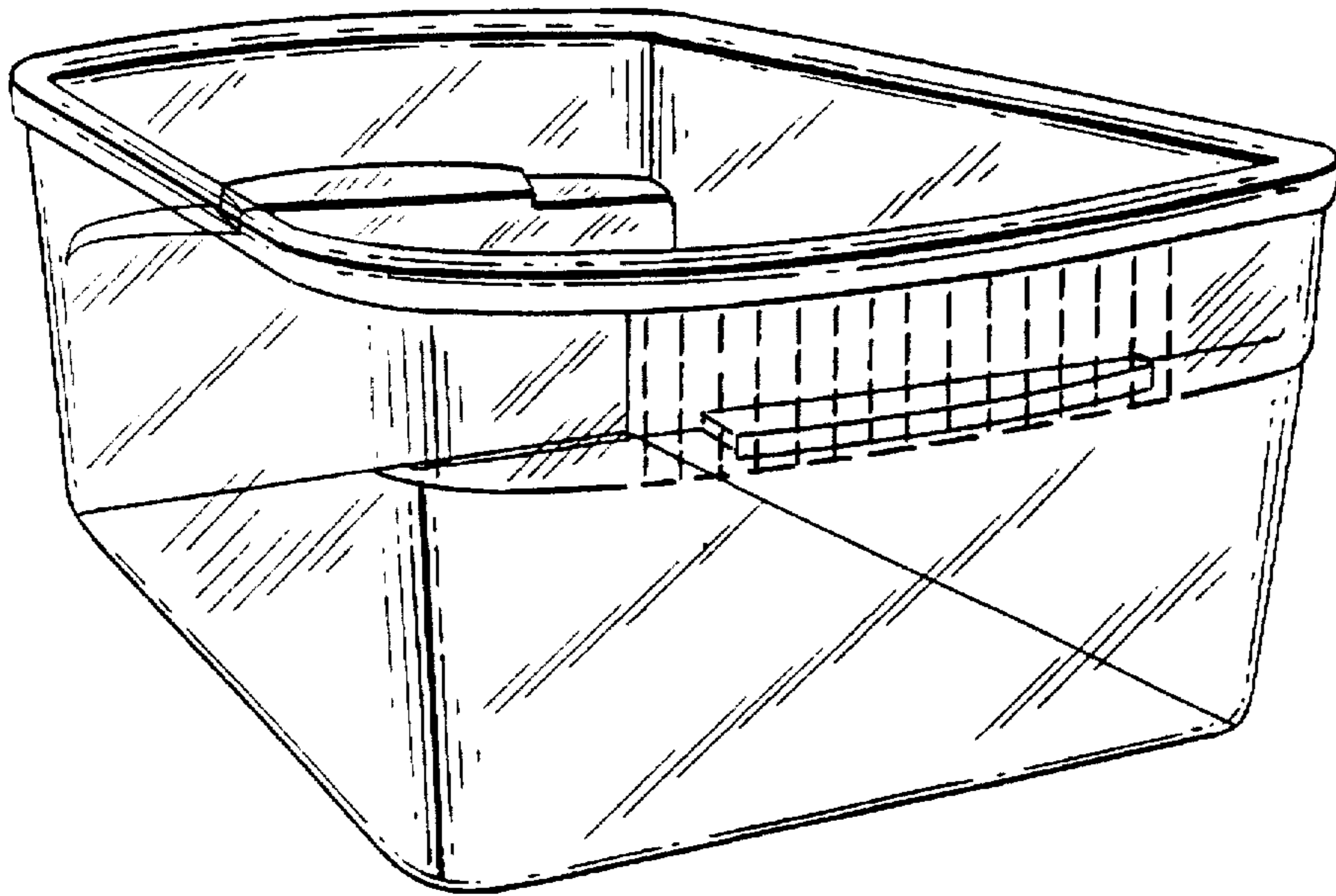


FIG. 1

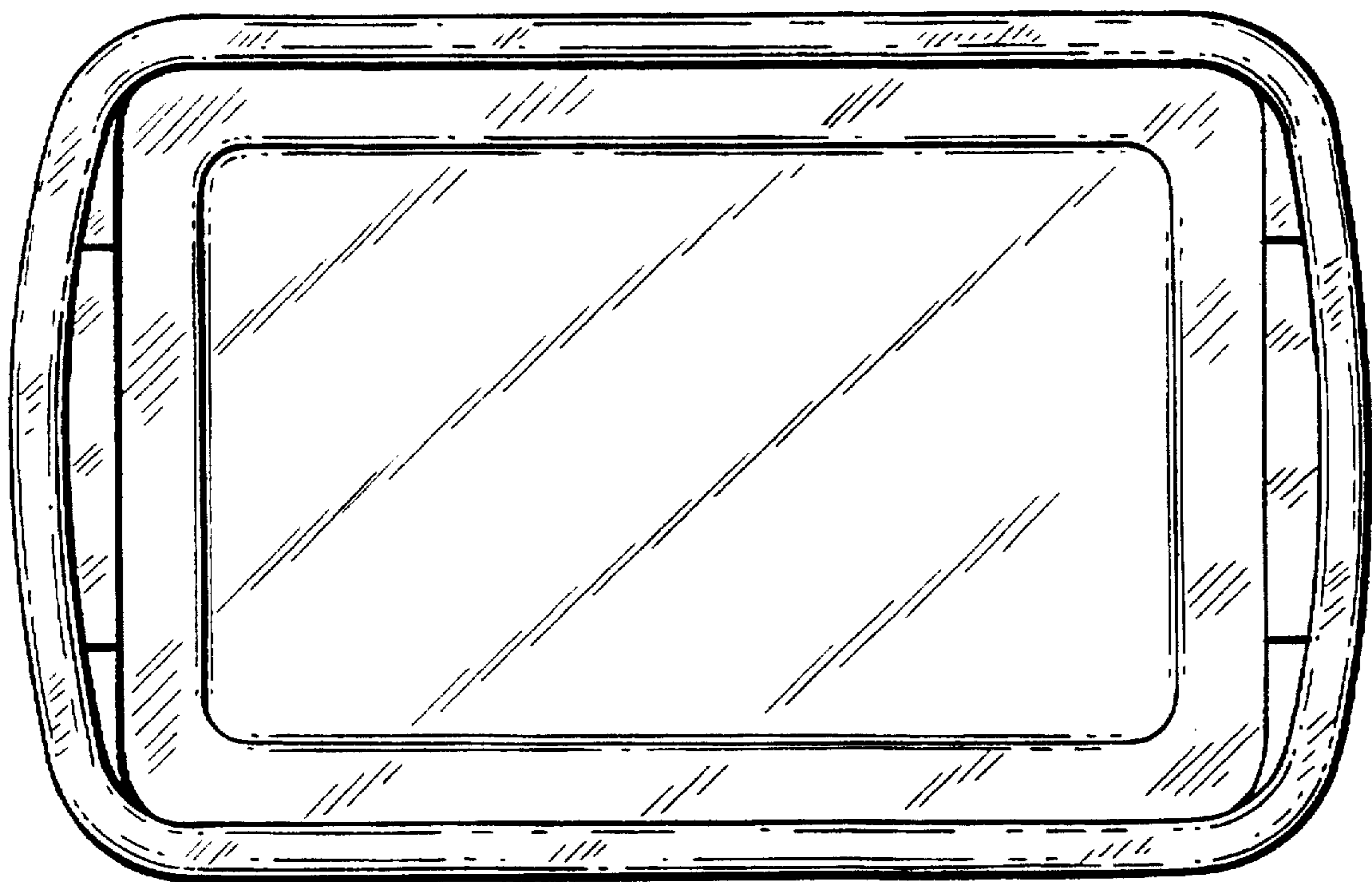


FIG. 2

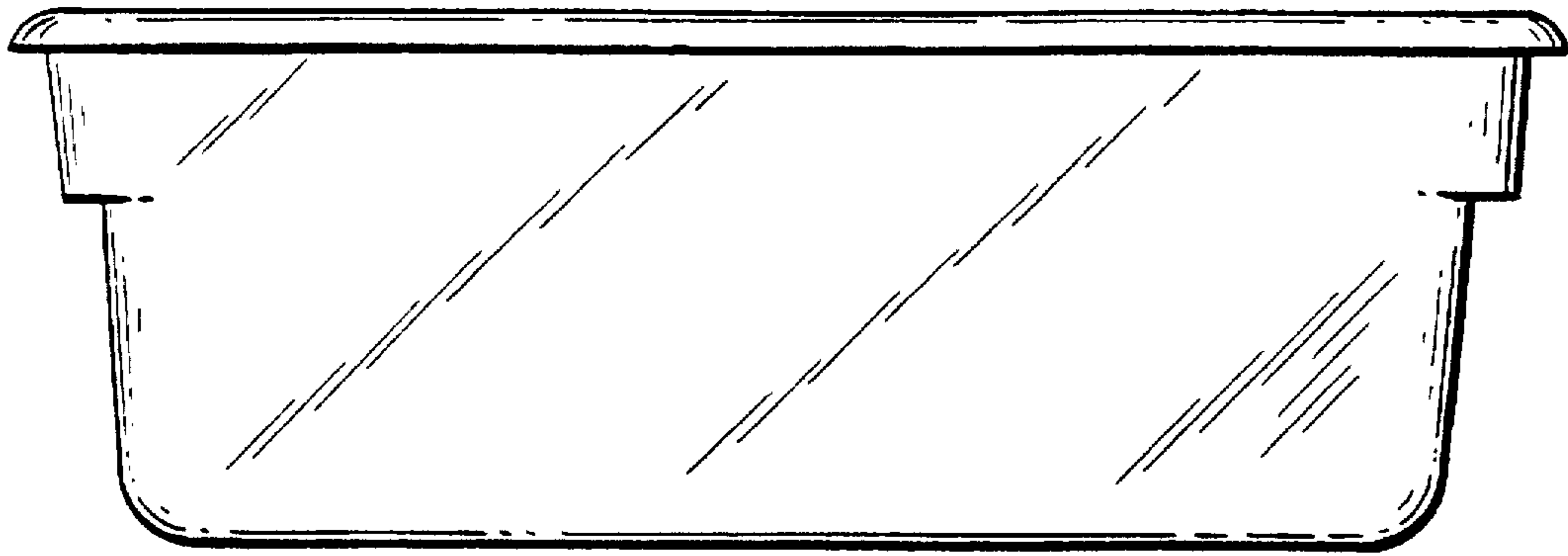


FIG. 3

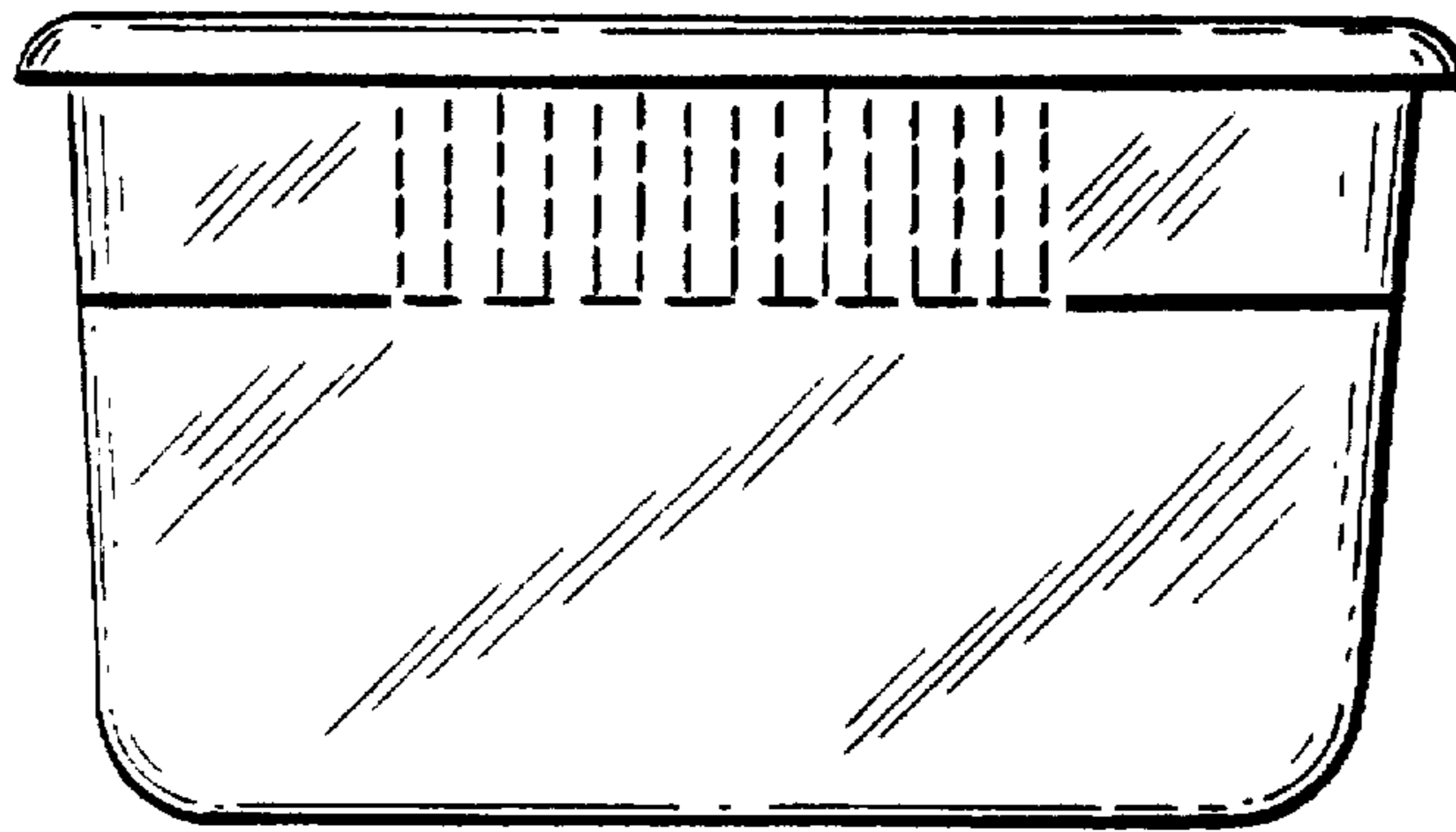


FIG. 4

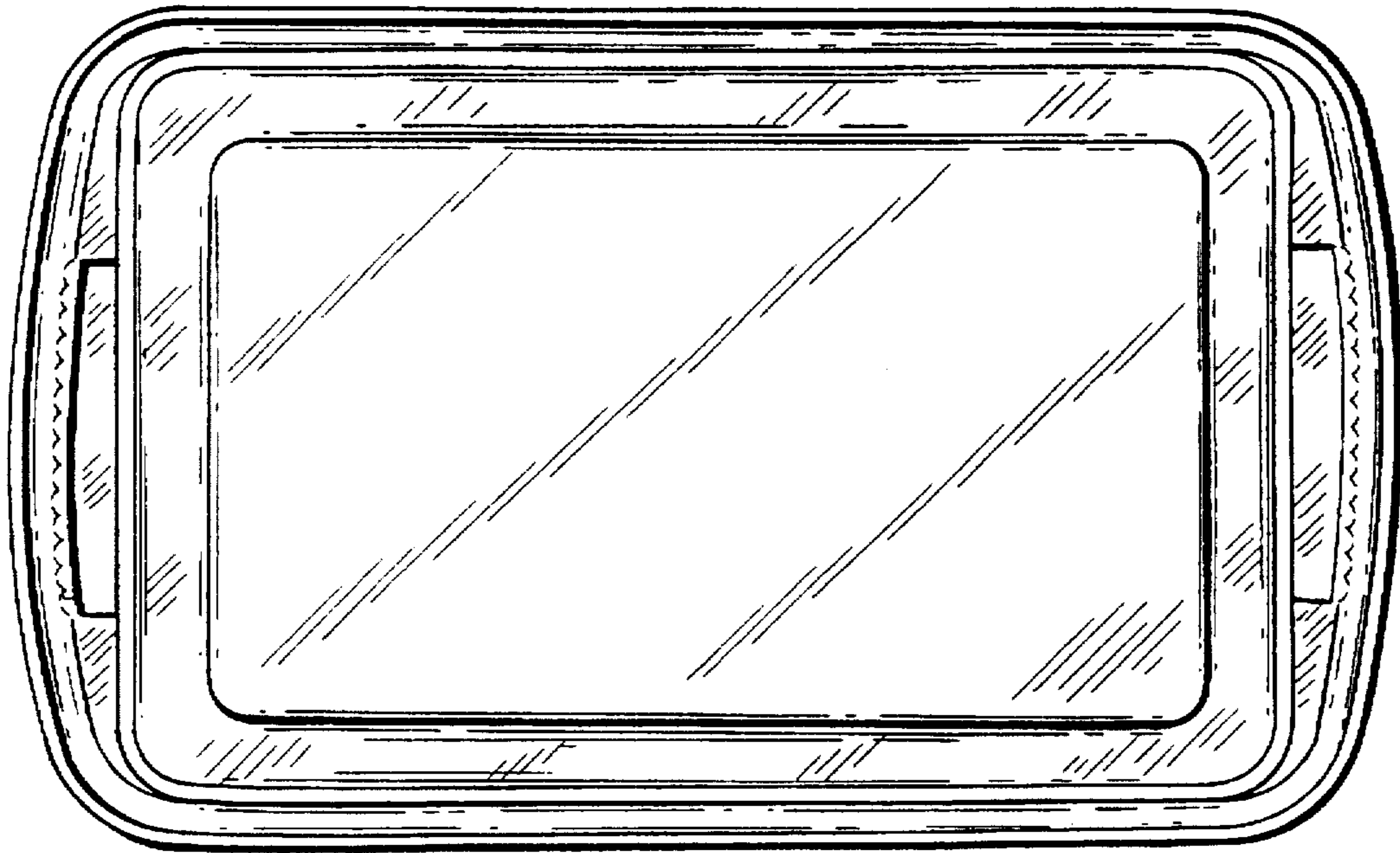


FIG. 5