



US00D394328S

United States Patent [19] Palumbo

[11] Patent Number: **Des. 394,328**

[45] Date of Patent: ****May 12, 1998**

[54] **COMBINED SUNTAN LOTION
DISTRIBUTOR AND CAP THEREFOR**

5,493,749 2/1996 Zayas 15/244.1 X

[76] Inventor: **Lisa Mary Palumbo**, 58 Park Hill Ave., Massapequa, N.Y. 11758

Primary Examiner—Ted Shooman
Assistant Examiner—C. Tuttle
Attorney, Agent, or Firm—Richard A. Joel

[**] Term: **14 Years**

[57] **CLAIM**

[21] Appl. No.: **68,057**

The ornamental design for a combined suntan lotion distributor and cap therefor, as shown and described.

[22] Filed: **Mar. 20, 1997**

DESCRIPTION

[51] **LOC (6) Cl.** **28-02**

[52] **U.S. Cl.** **D28/7; D4/121; D4/137**

[58] **Field of Search** **D28/7, 63; D4/116, D4/137, 138, 114, 121; D32/40, 42, 45, 50-52; 15/244.1, 244.2, 144.1, 144.4; 206/361, 229, 581, 823**

FIG. 1 is an exploded perspective view of the suntan lotion distributor shown with the telescopic handle in the extended position;

FIG. 2 is a bottom view of the design shown with the cover removed for ease of illustration;

FIG. 3 is an exploded rear view of the design;

FIG. 4 is a top view of the design with the cover removed;

FIG. 5 is a bottom view of the distributor portion of the design shown with the handle in the folded position;

FIG. 6 is an exploded front view shown with the handle in the folded position;

FIG. 7 is an exploded left side view shown with the handle in the extended position; and,

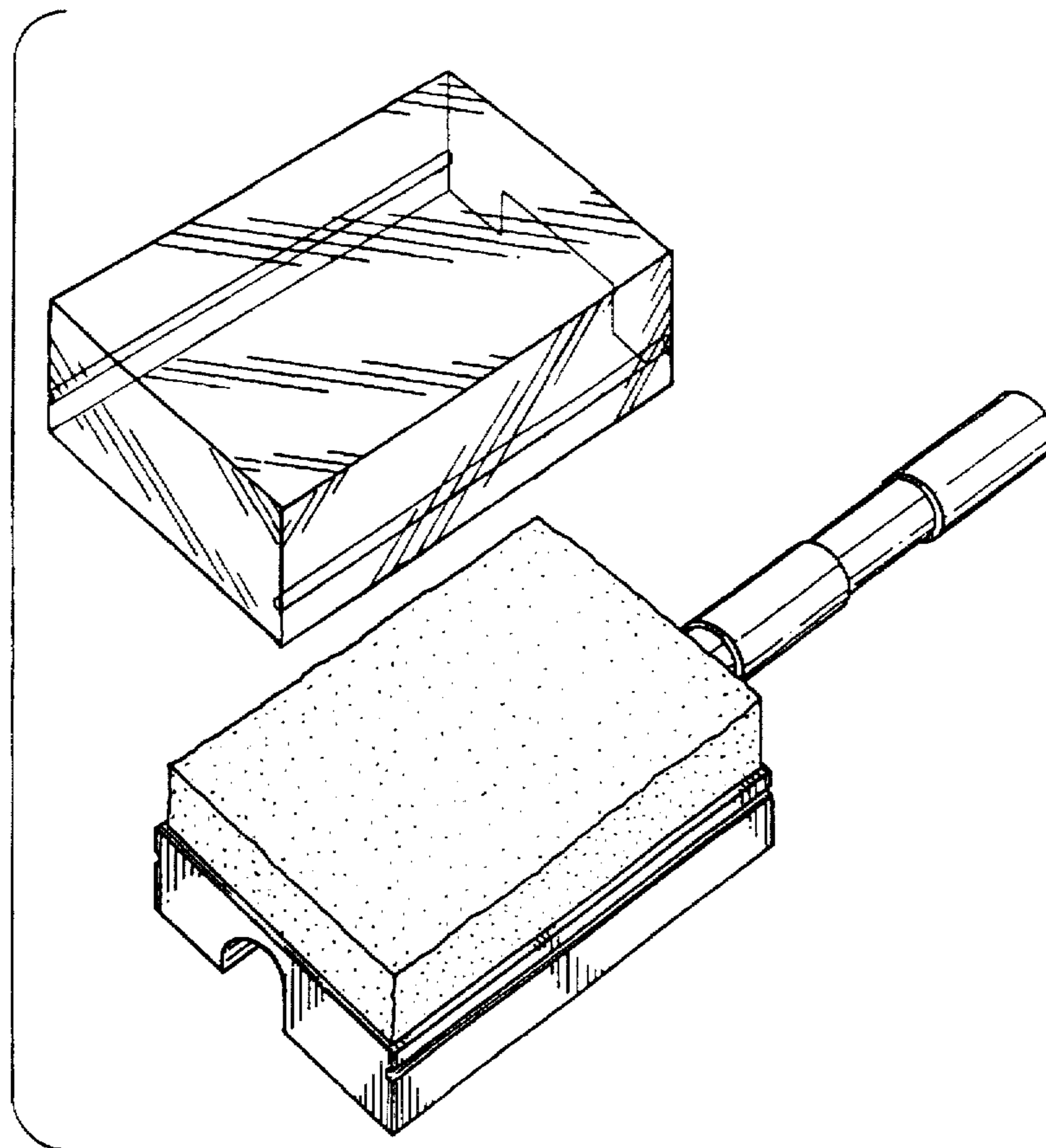
FIG. 8 is a perspective view of the assembled design showing the handle in the folded position.

[56] **References Cited**

U.S. PATENT DOCUMENTS

D. 323,409	1/1992	Giese	D28/7
D. 375,816	11/1996	Long-Langworthy	D28/7
1,972,653	9/1934	Hart	15/144.3 X
3,103,682	9/1963	Markle	401/6 X
4,299,005	11/1981	Brown	401/6 X
5,087,138	2/1992	Terbrusch et al.	401/6 X
5,360,111	11/1994	Arispe	D28/7 X
5,400,457	3/1995	Ridgley	15/144.4 X

1 Claim, 4 Drawing Sheets



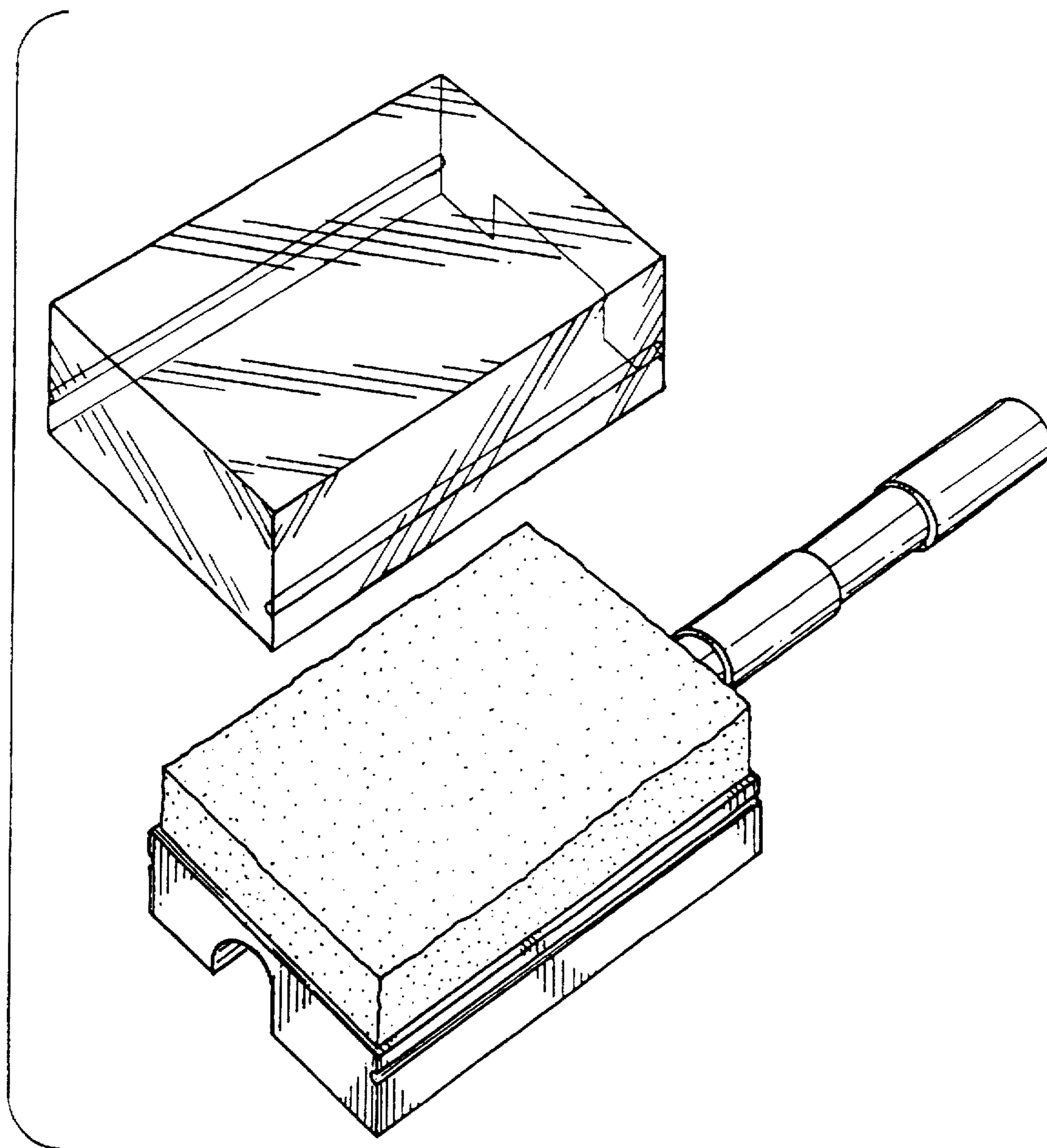


FIG. 1

FIG. 2

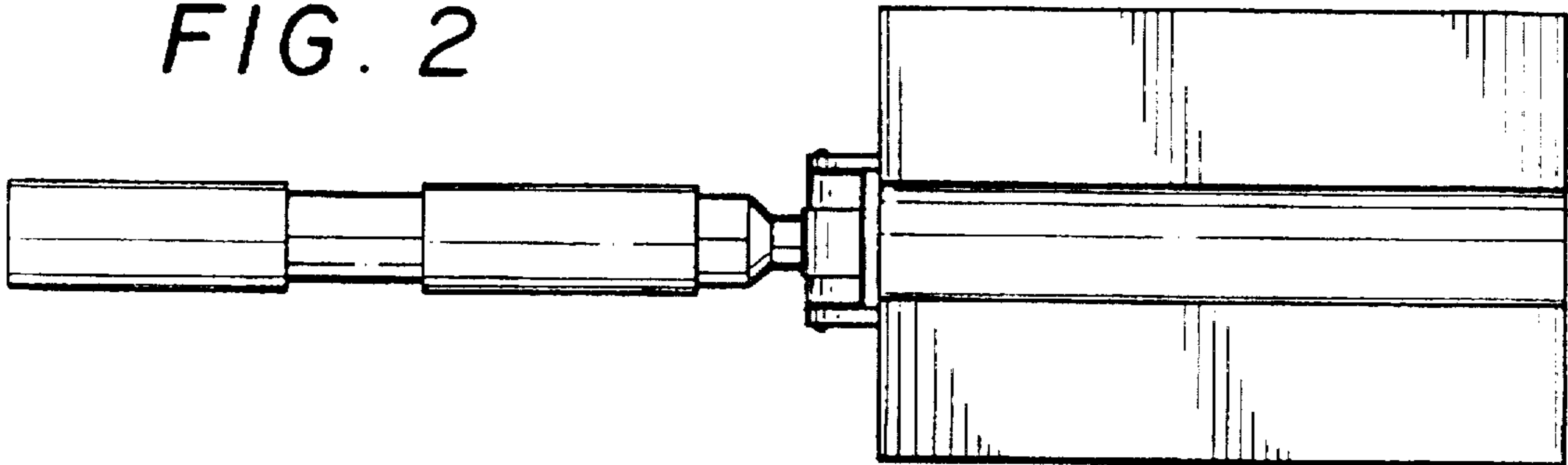


FIG. 3

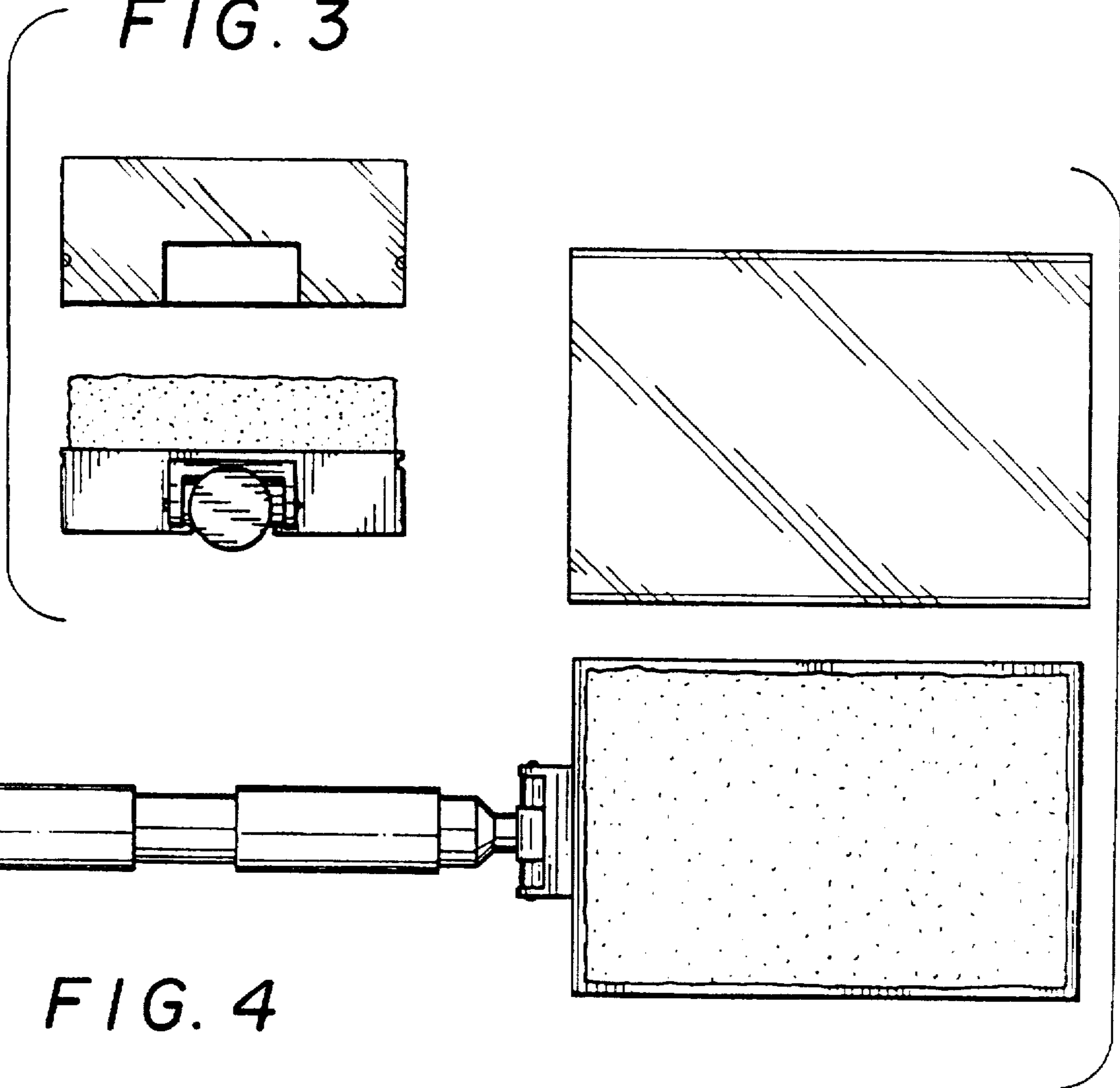
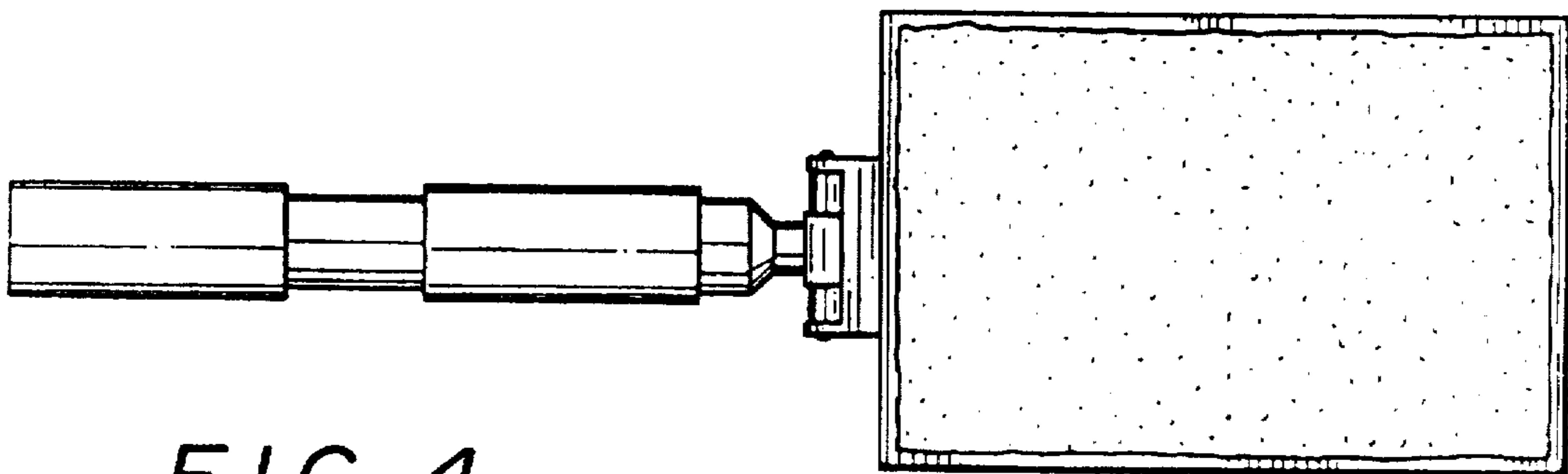


FIG. 4



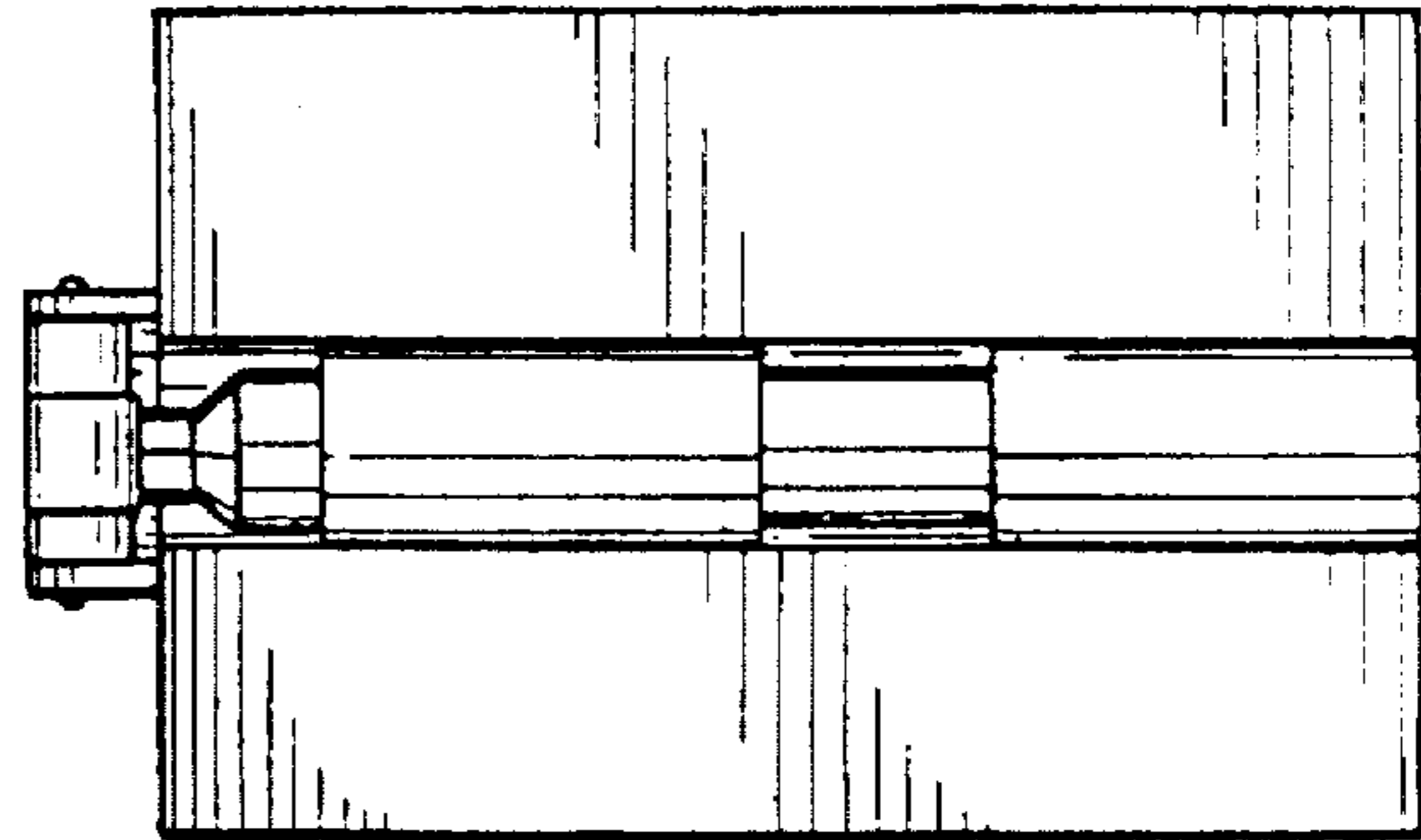


FIG. 5

FIG. 6

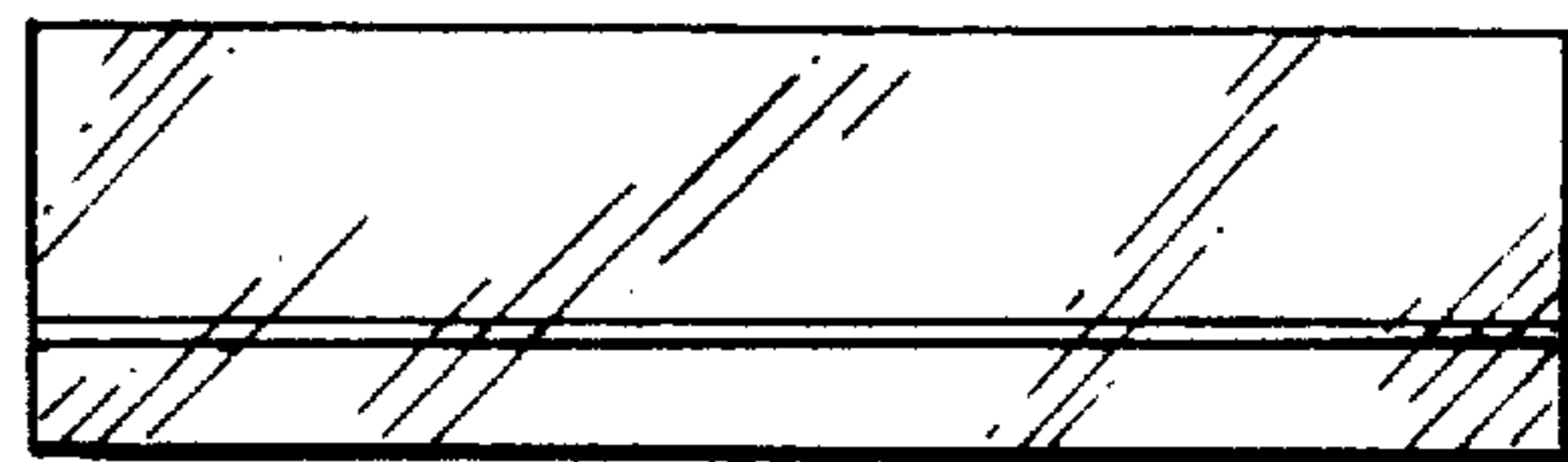
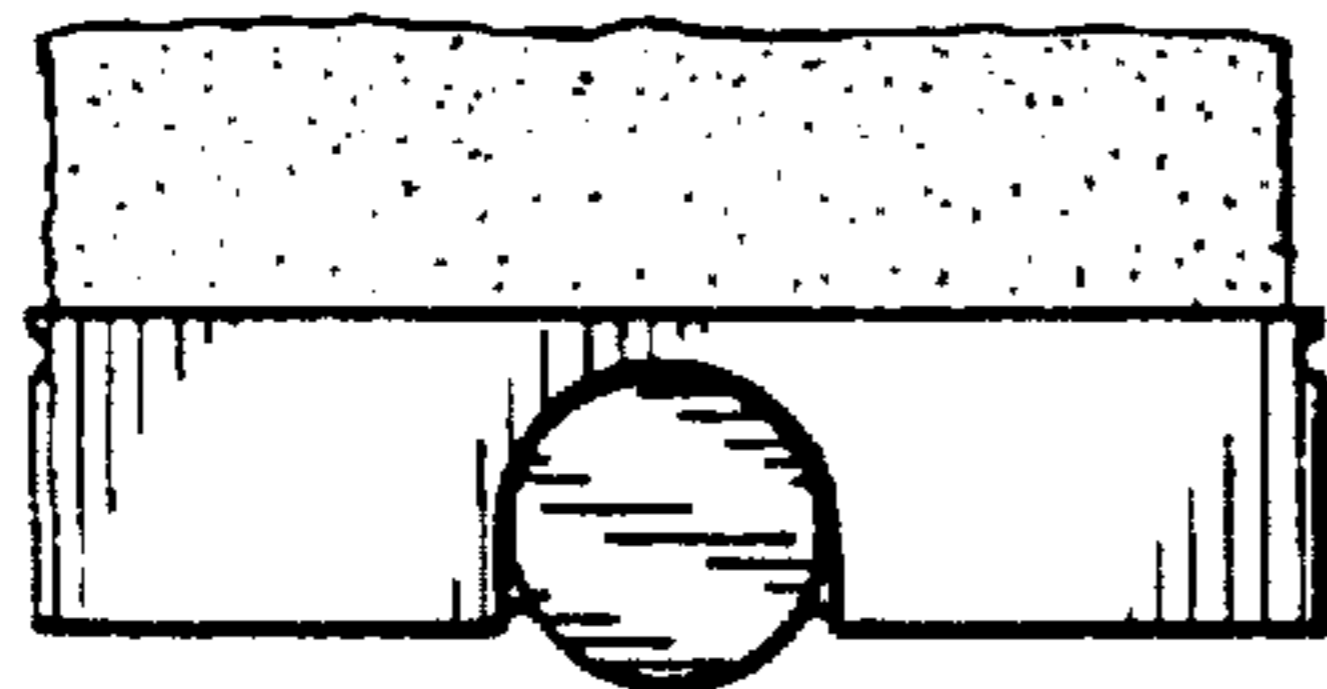
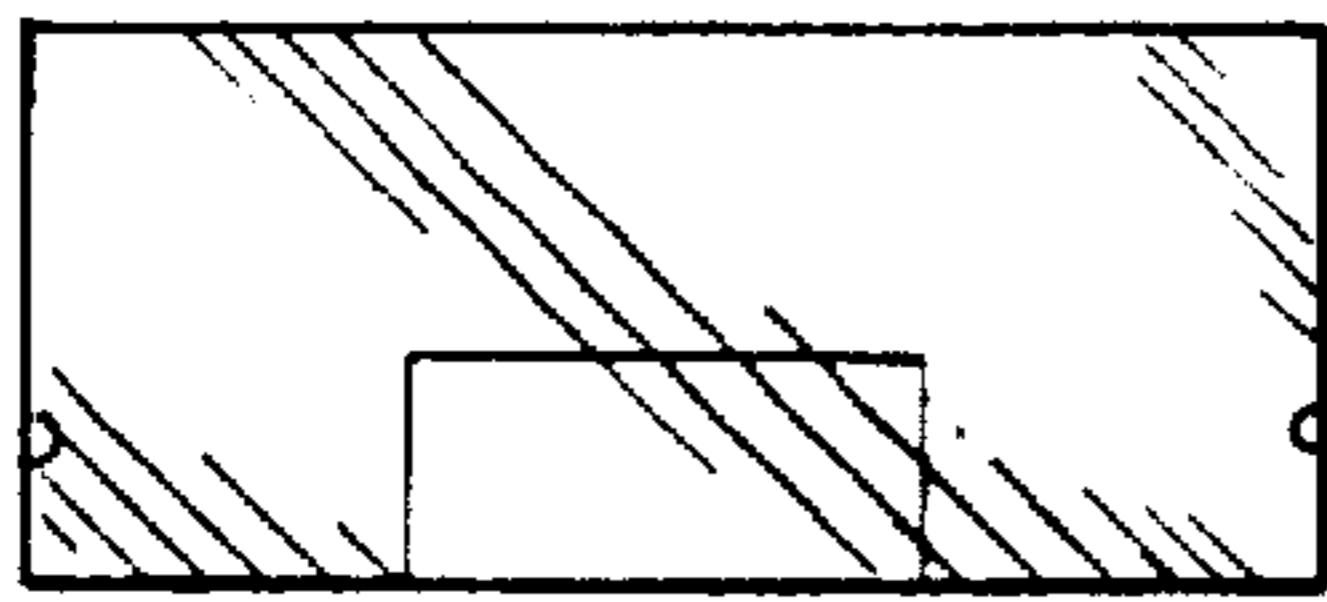
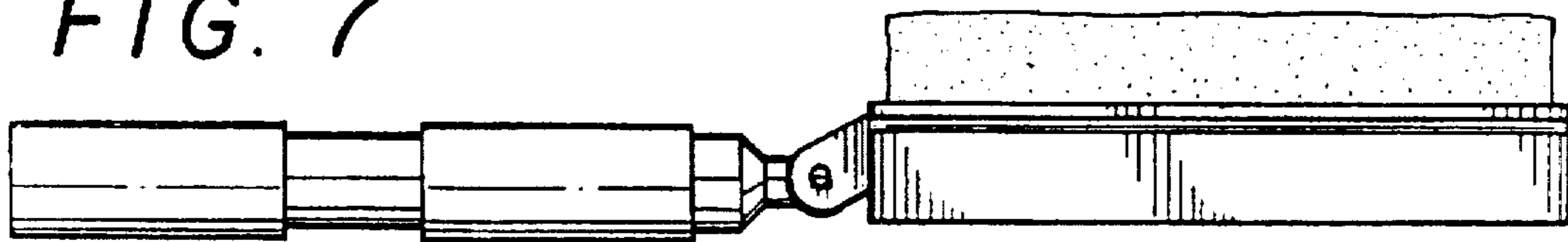


FIG. 7



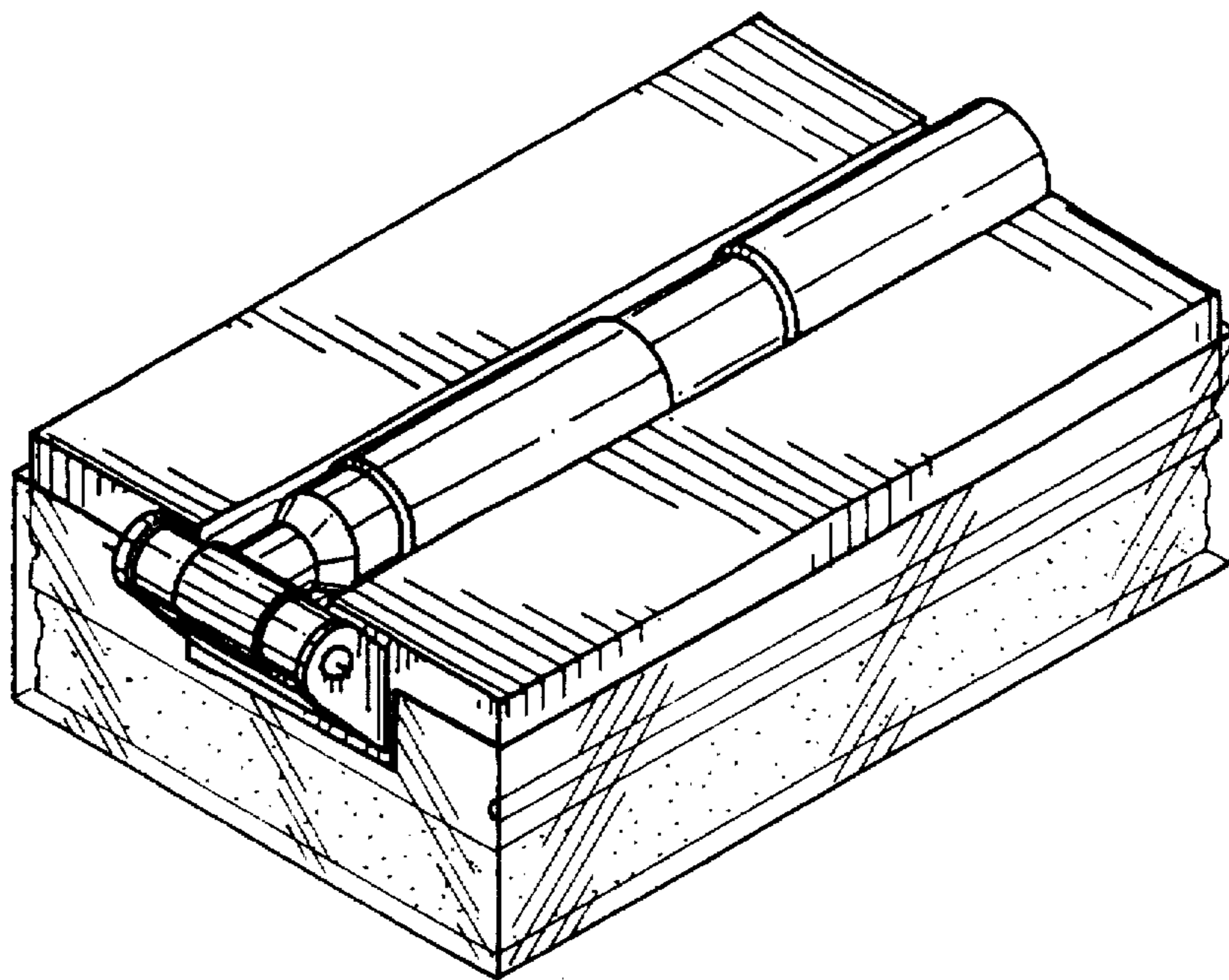


FIG. 8