



US00D394326S

United States Patent [19]

Littman et al.

[11] Patent Number: Des. 394,326

[45] Date of Patent: **May 12, 1998

[54] **TABLE LAMP**

[75] Inventors: **Sandra E. Littman; Krina S. Kaufman**, both of New York, N.Y.

[73] Assignee: **Sandy Littman, Inc.**, New York, N.Y.

[**] Term: **14 Years**

[21] Appl. No.: **48,305**

[22] Filed: **Dec. 26, 1995**

[51] LOC (6) Cl. **26-05**

[52] U.S. Cl. **D26/106**

[58] Field of Search D26/93, 102-112;
362/410-414

[56] **References Cited**

U.S. PATENT DOCUMENTS

D. 337,392 7/1993 Lin D26/106
D. 360,967 8/1995 Von Kluck D26/106

OTHER PUBLICATIONS

Home Lighting and Accessories, p. 56, "Lite Source" table lamp, Mar. 1993.
Home Lighting and Accessories, p. 7, Harris Marcus Group, floor lamp, May 1994.

Primary Examiner—Susan J. Lucas

Attorney, Agent, or Firm—Schweitzer Cornman Gross & Bondell LLP

[57] **CLAIM**

The ornamental design of a table lamp, as shown and described.

DESCRIPTION

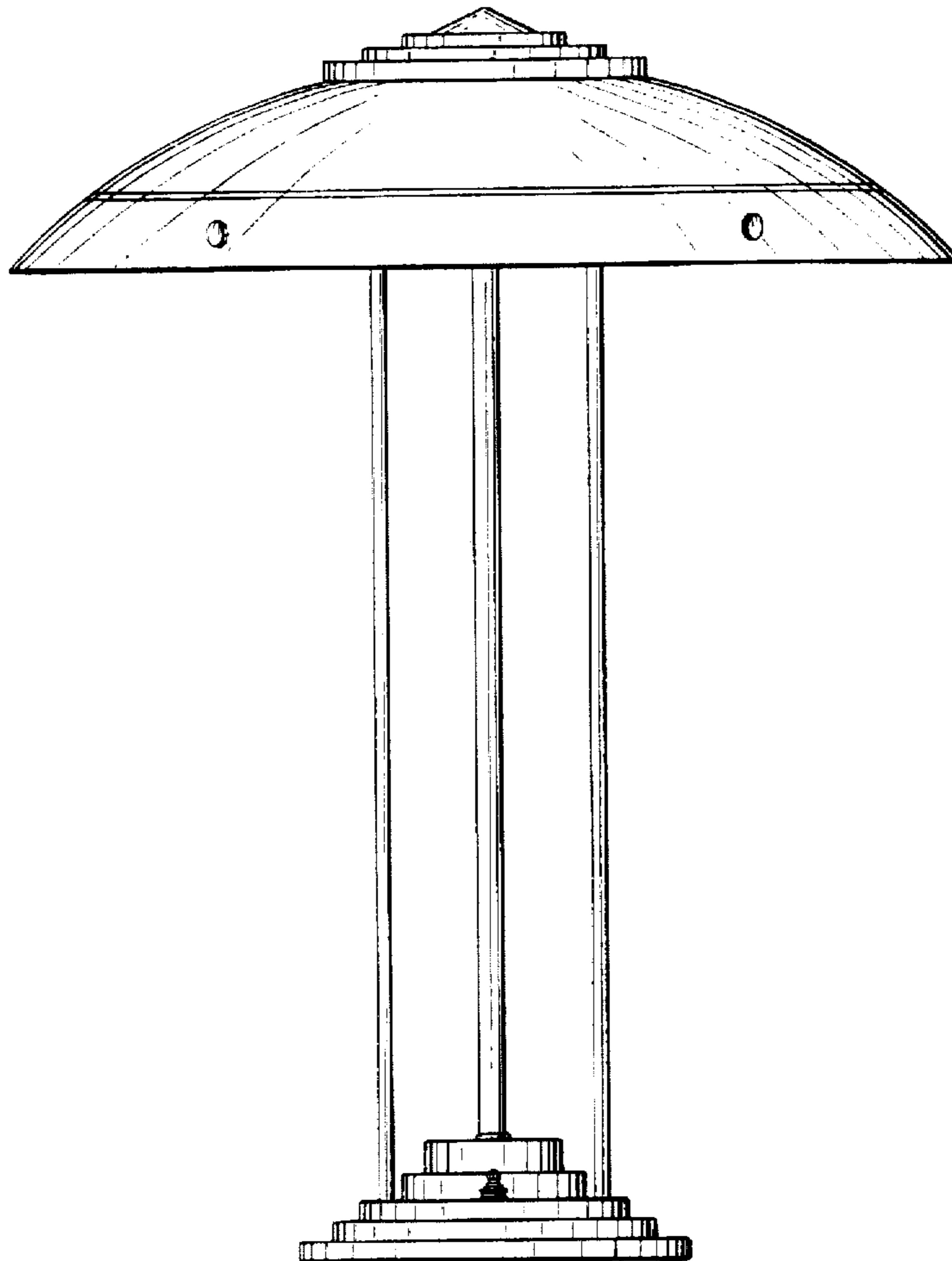
FIG. 1 is a front elevational view of the table lamp showing our new design, the rear, being a mirror image, but for the omission of the switch;

FIG. 2 is a top plan view; and,

FIG. 3 is a bottom plan view.

Each side of the table lamp is similar to the front, but includes a single vertical rod which is aligned with the thicker center rod.

1 Claim, 3 Drawing Sheets



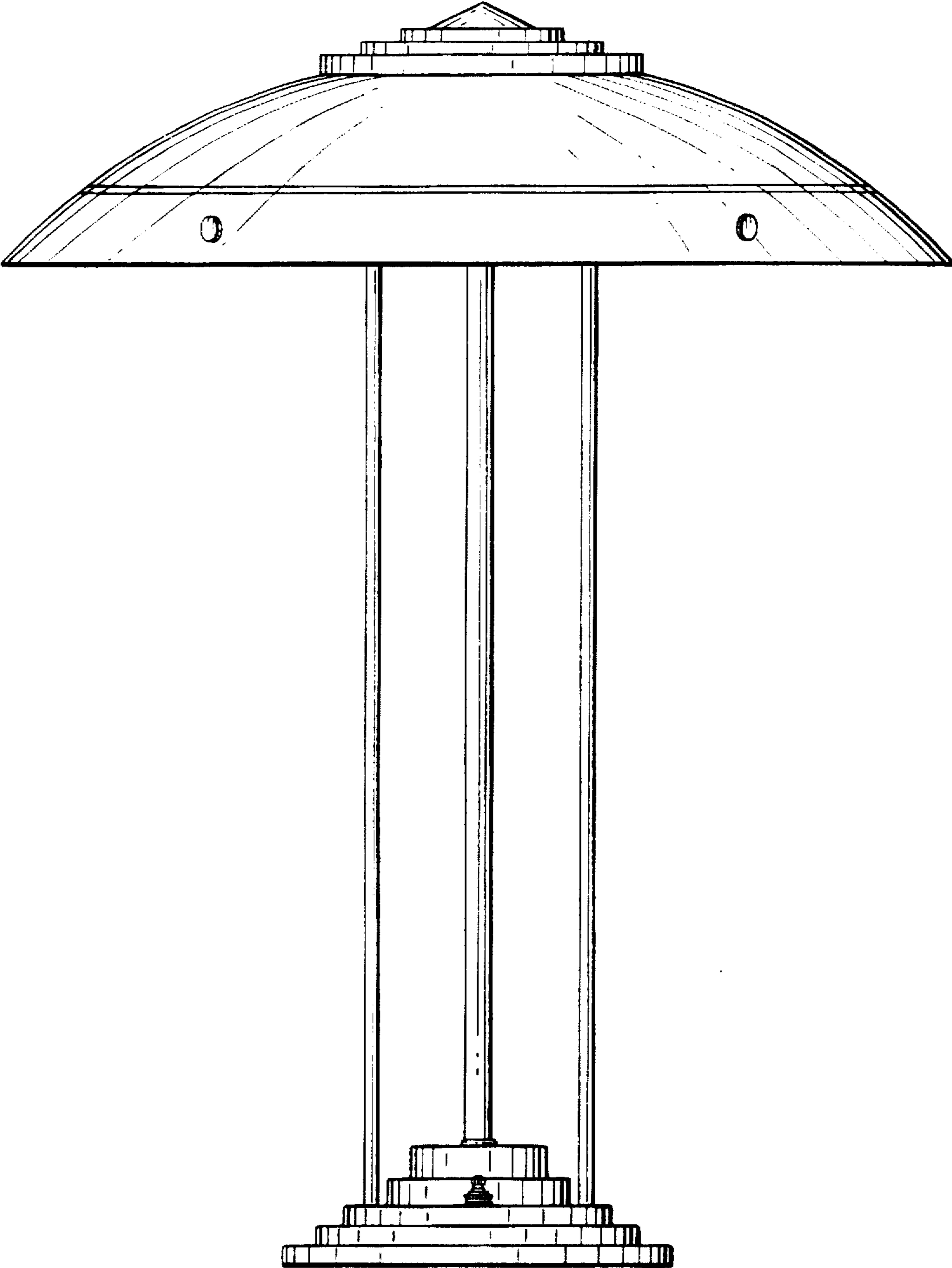


FIG. 1

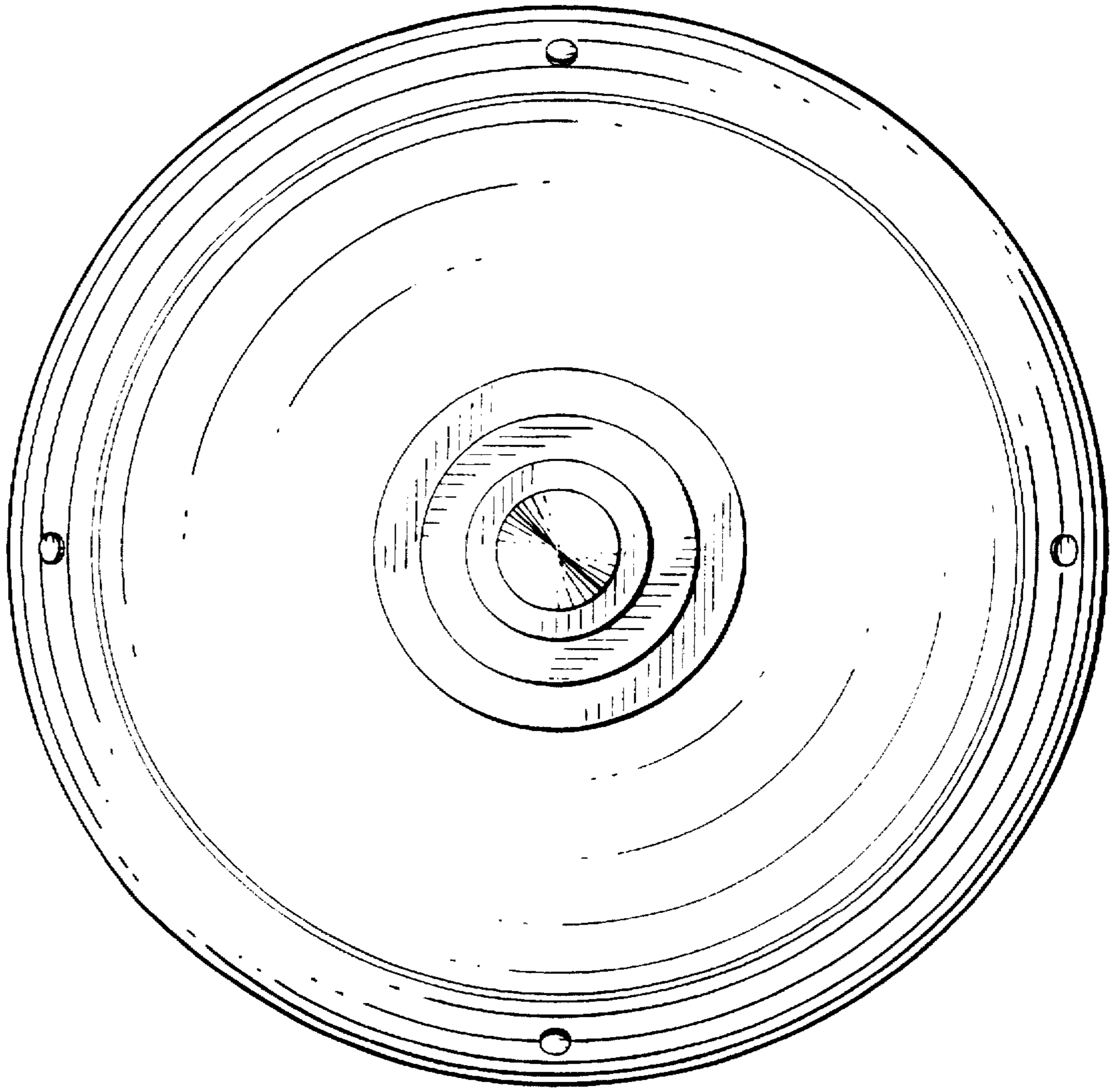


FIG. 2

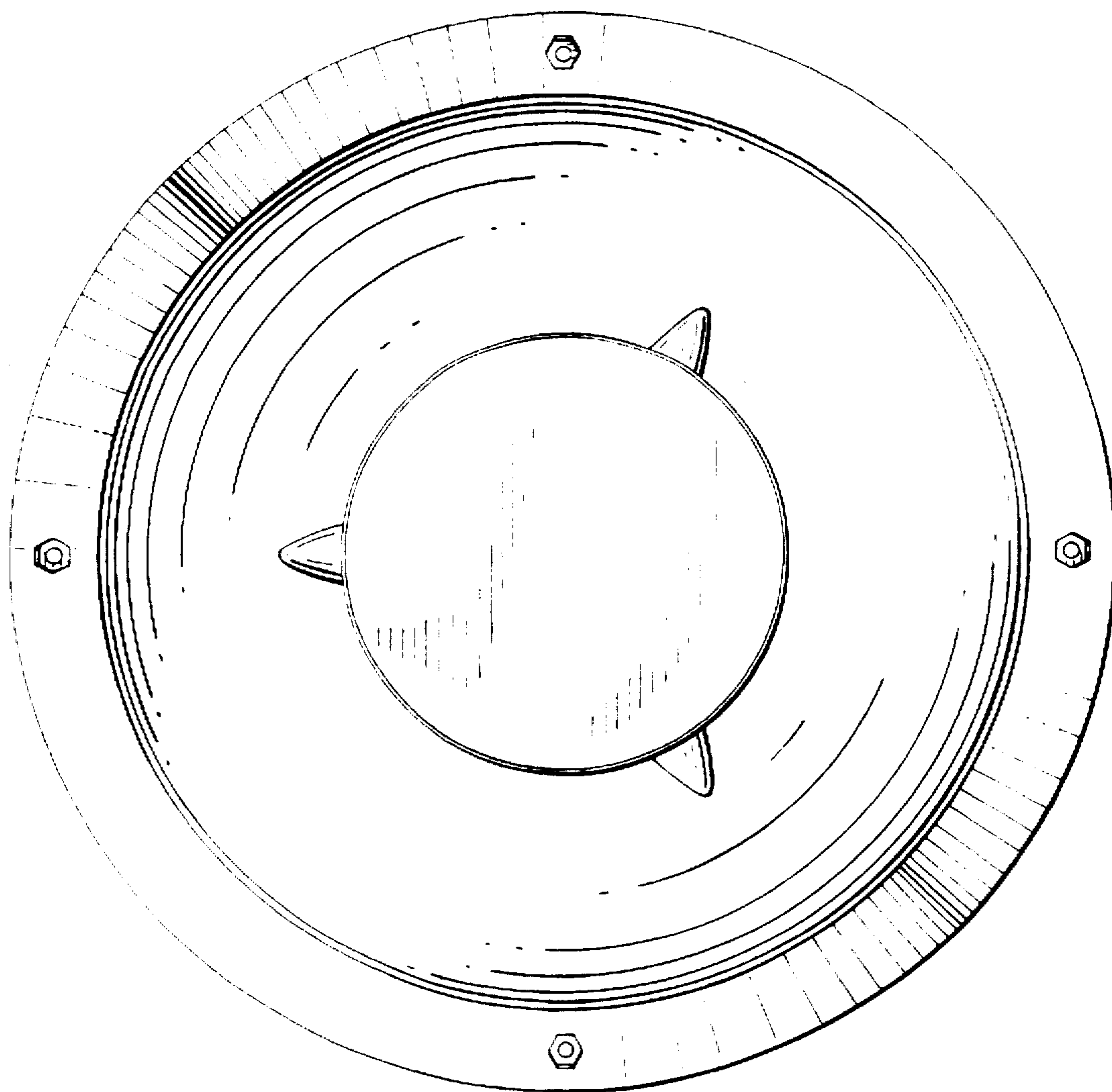


FIG. 3