



US00D394325S

United States Patent [19]
Hsu

[11] **Patent Number:** **Des. 394,325**
[45] **Date of Patent:** ****May 12, 1998**

- [54] **WALL LAMP**
- [75] **Inventor:** **Keen Hsu, Taichung, Taiwan**
- [73] **Assignee:** **Bright Yin Huey Co., Ltd., Taichung, Taiwan**
- [**] **Term:** **14 Years**
- [21] **Appl. No.:** **66,997**
- [22] **Filed:** **Mar. 5, 1997**
- [51] **LOC (6) Cl.** **26-05**
- [52] **U.S. Cl.** **D26/87**
- [58] **Field of Search** **D26/72, 85, 80, D26/87, 92, 67-70; 362/147, 432, 362, 363, 431**

D. 333,531 2/1993 Rottner D26/87

OTHER PUBLICATIONS

Corbett Lighting catalog, p. E2, wall lantern #5762, 1989-1994.

Primary Examiner—Susan J. Lucas
Attorney, Agent, or Firm—Browdy and Neimark

CLAIM

The ornamental design for "wall lamp", as shown and described.

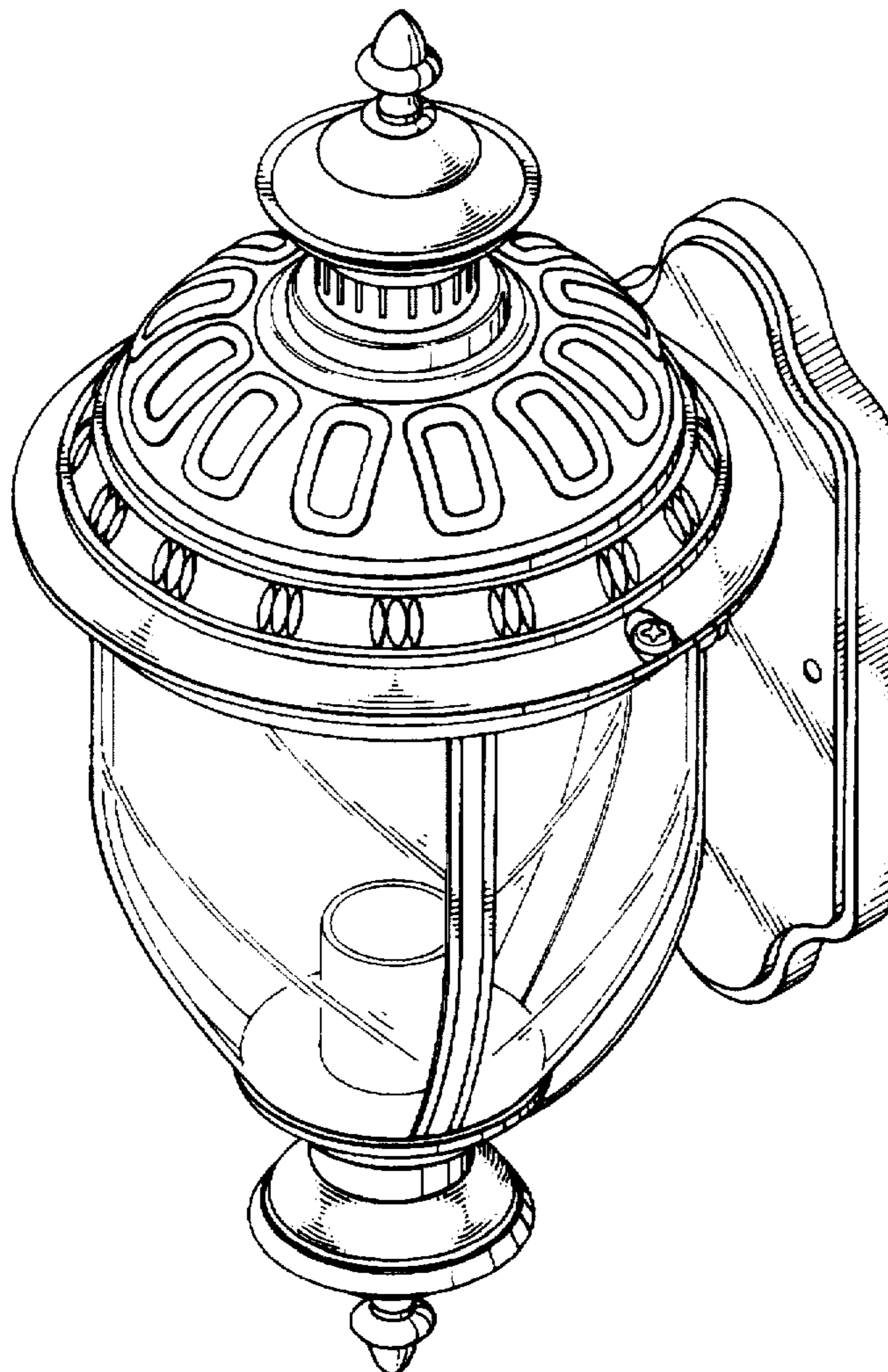
DESCRIPTION

FIG. 1 is a perspective view of wall lamp showing my new design;
FIG. 2 is a front view thereof;
FIG. 3 is a rear view thereof;
FIG. 4 is a right side view thereof, the left side being a mirror image;
FIG. 5 is a top view thereof; and,
FIG. 6 is a bottom view thereof.

[56] **References Cited**
U.S. PATENT DOCUMENTS

- D. 74,949 4/1928 Seidell D26/142
- D. 76,367 9/1928 Aspinall D26/87
- D. 314,834 2/1991 Rottner D26/87
- D. 316,158 4/1991 Choi D26/87

1 Claim, 5 Drawing Sheets



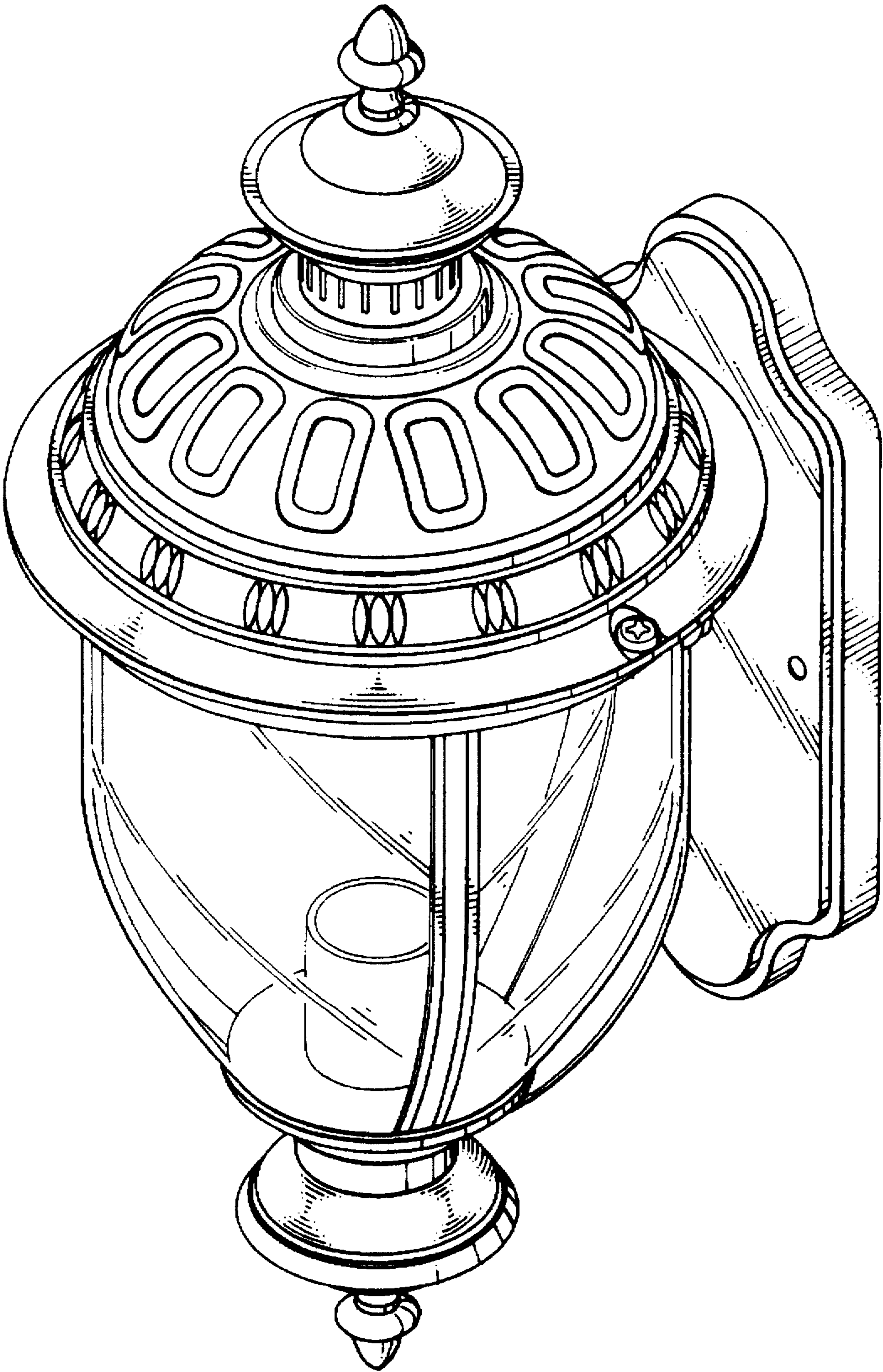


FIG. 1

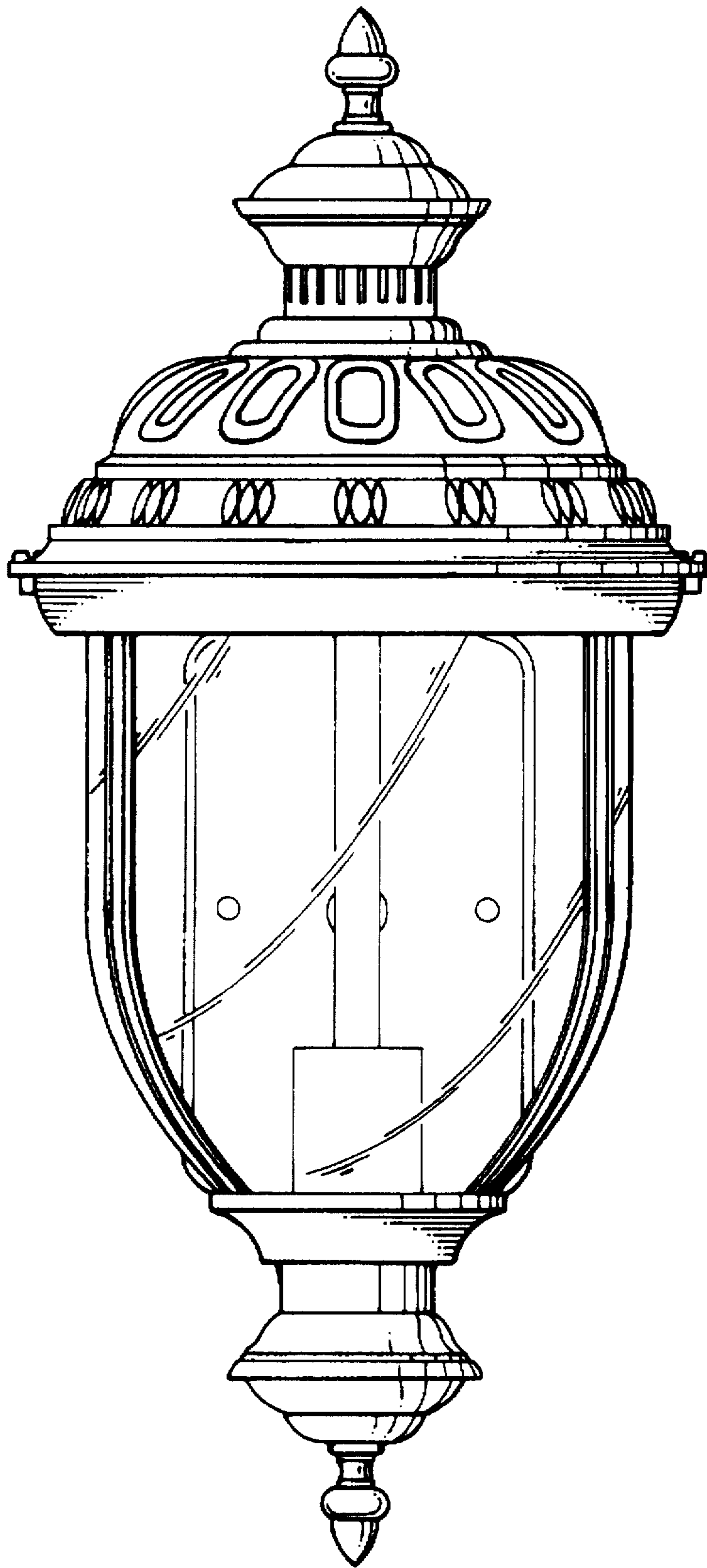


FIG. 2

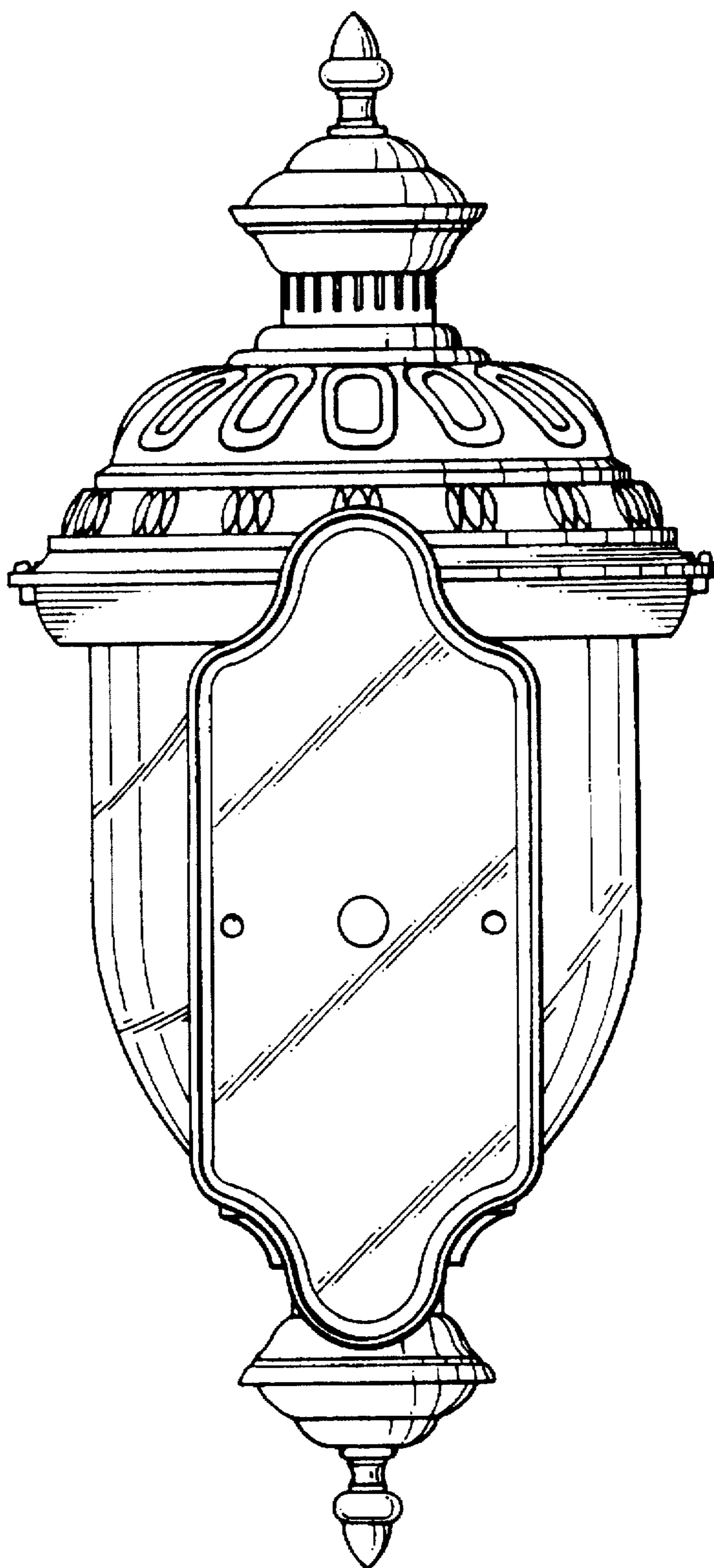


FIG. 3

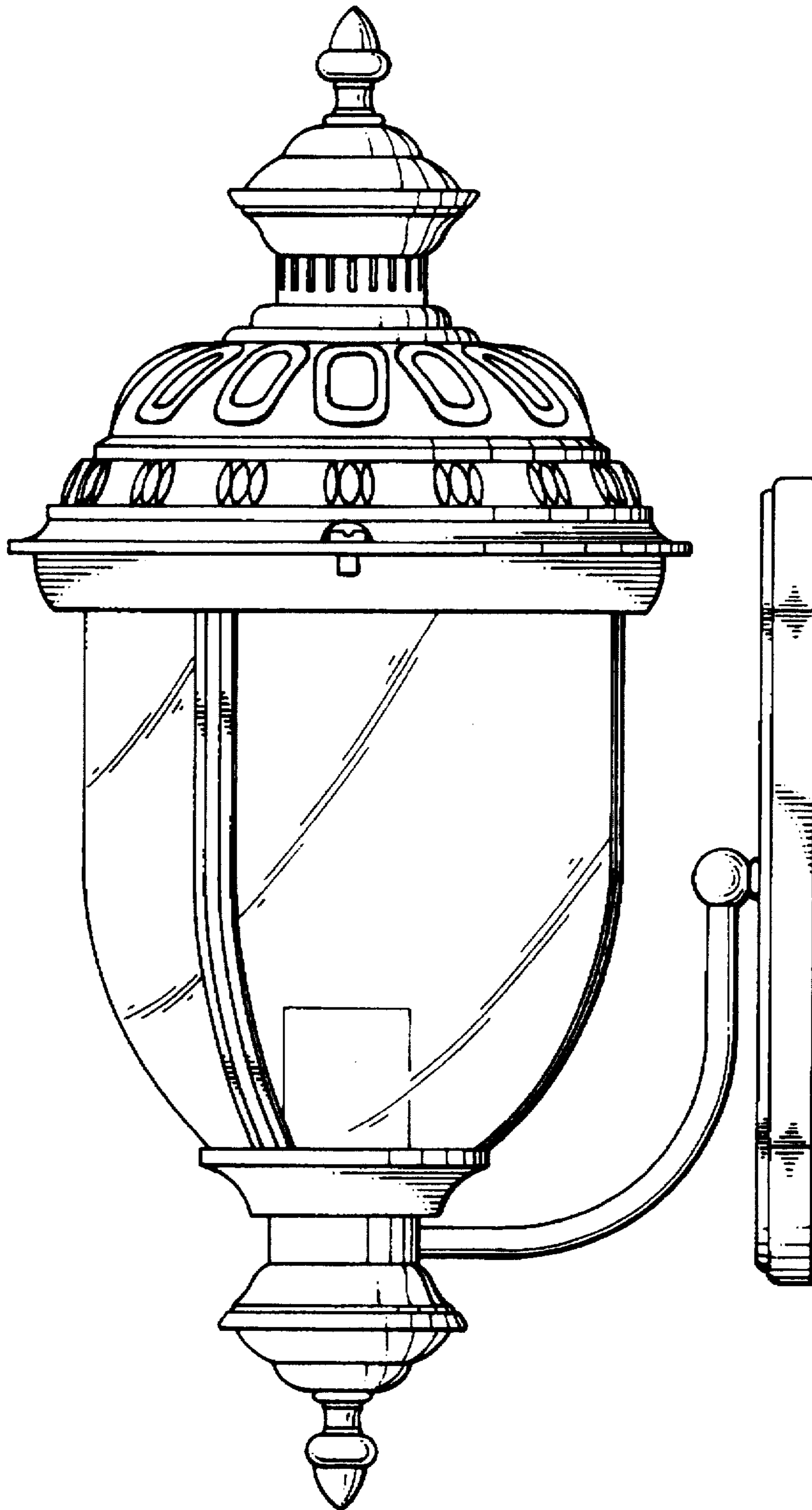


FIG. 4

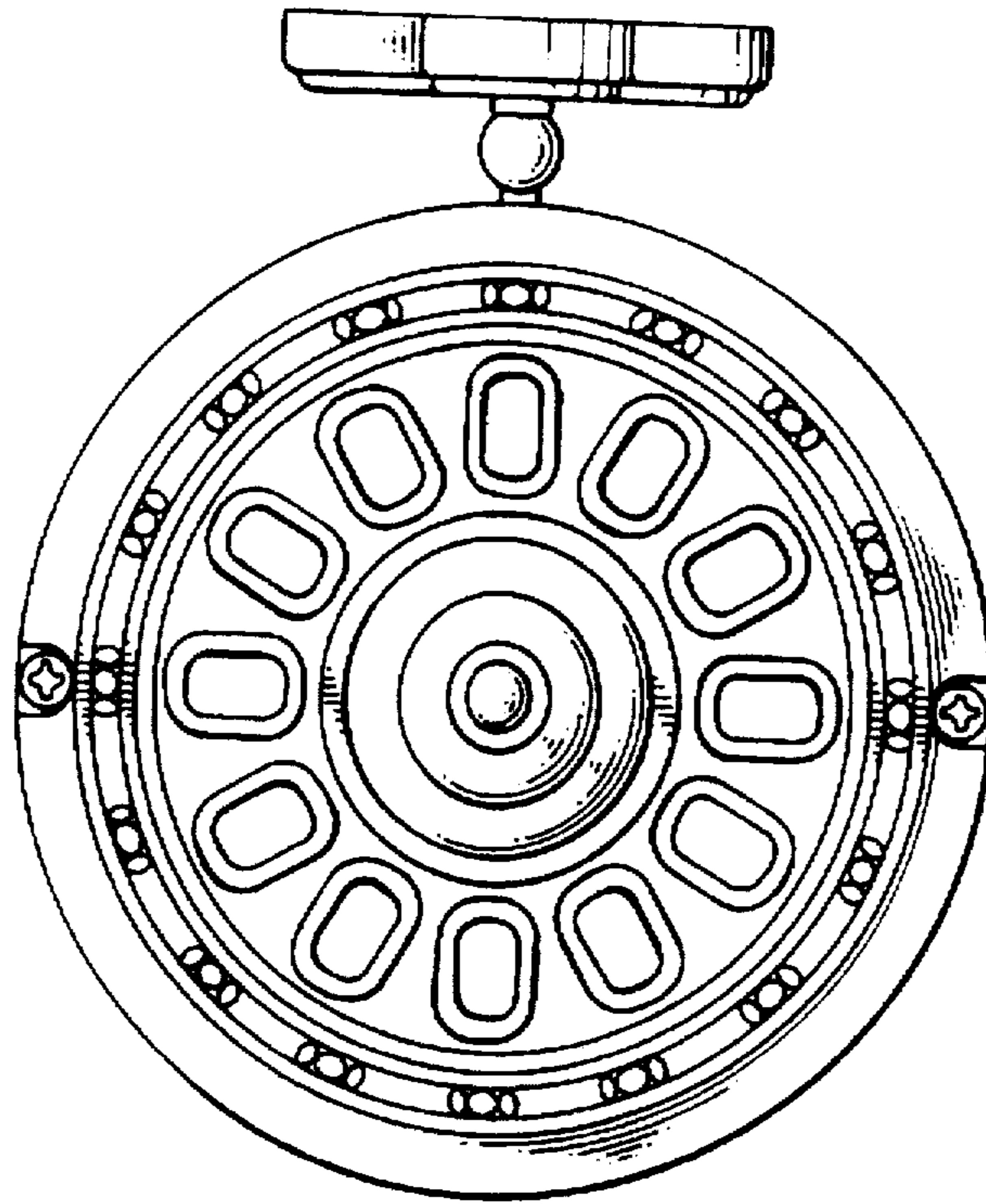


FIG. 5

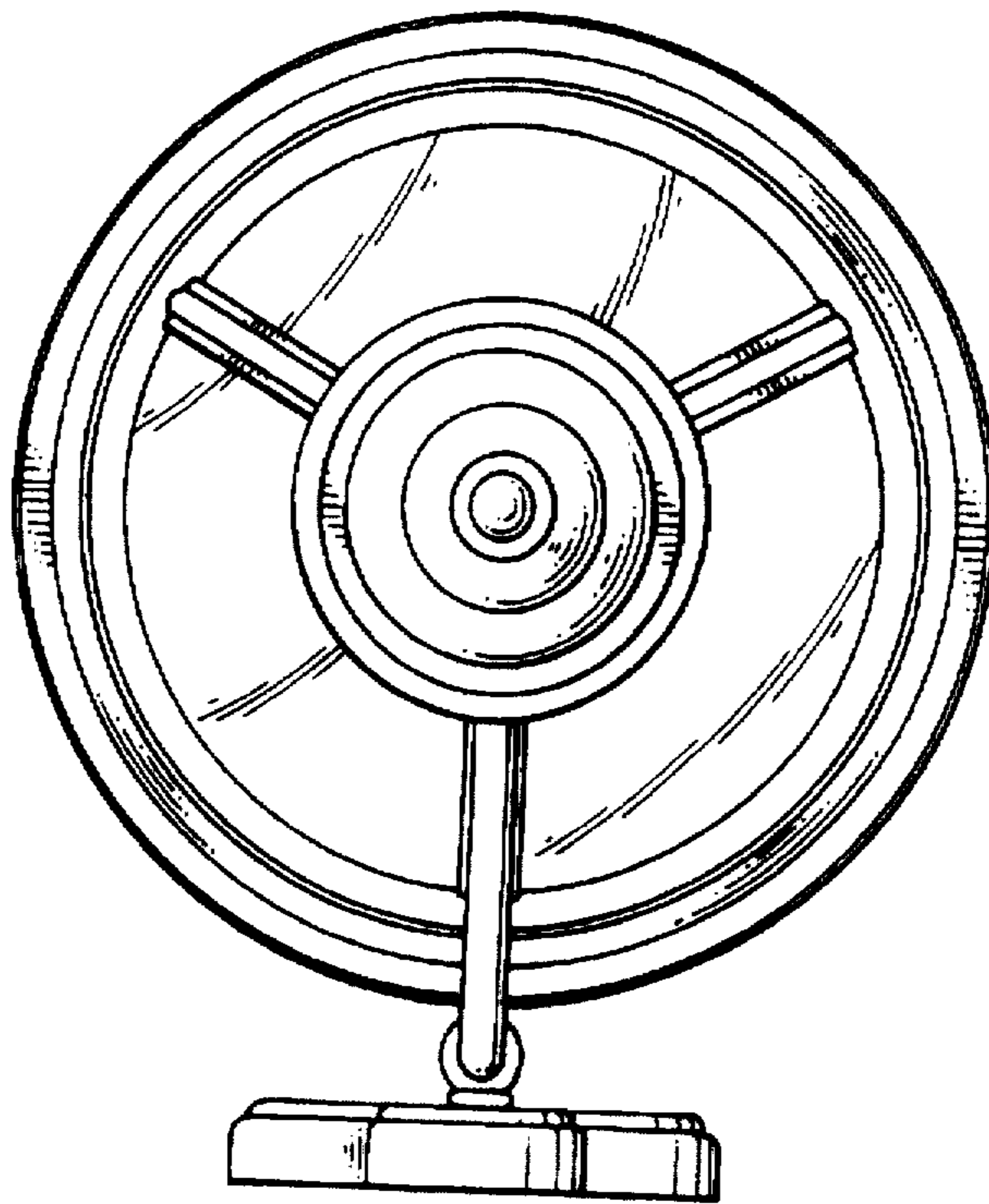


FIG. 6