



US00D394323S

United States Patent [19]
West

[11] **Patent Number: Des. 394,323**
[45] **Date of Patent: **May 12, 1998**

[54] **LIGHT FIXTURE FOR MOUNTING ON A WALL**

[76] **Inventor: Mark West, 1388 Calle Violeta, Thousand Oaks, Calif. 91360**

[**] **Term: 14 Years**

[21] **Appl. No.: 66,809**

[22] **Filed: Feb. 21, 1997**

[51] **LOC (6) Cl. 26-05**

[52] **U.S. Cl. D26/63; D26/73; D26/87**

[58] **Field of Search D26/60-66, 87, D26/92, 73, 94; 362/147, 269, 275, 287, 418, 419, 427**

[56] **References Cited**

U.S. PATENT DOCUMENTS

- D. 231,559 4/1974 Darling et al. D26/63
- D. 261,685 11/1981 Kvasnicka D26/73 X

Primary Examiner—Susan J. Lucas
Attorney, Agent, or Firm—Lyon & Lyon LLP

[57] **CLAIM**

The ornamental design for a light fixture for mounting on a wall, as shown and described.

DESCRIPTION

FIG. 1 is a perspective view of a light fixture for a wall showing my new design as seen from below and to the right side thereof;

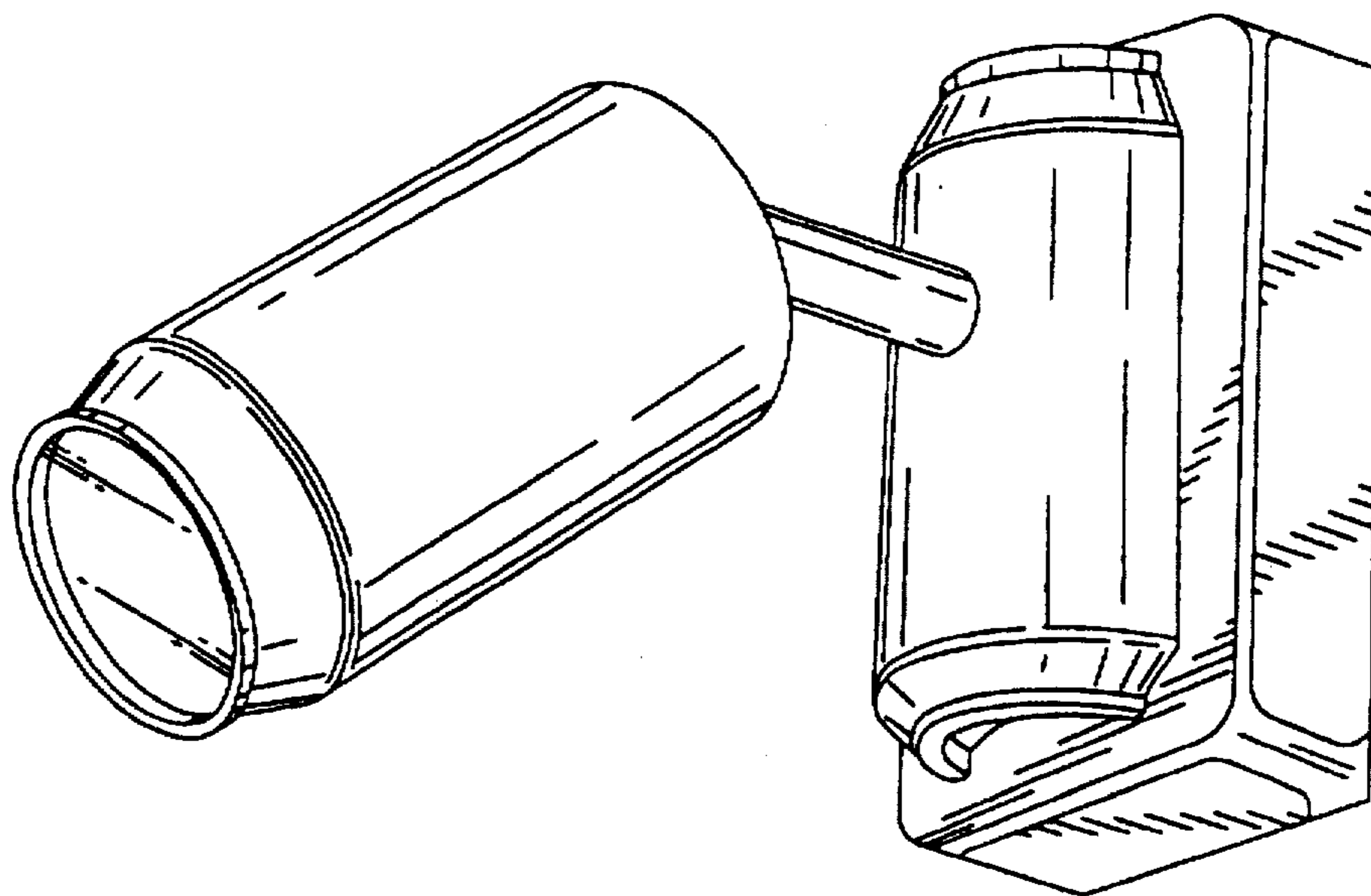
FIG. 2 is a perspective view thereof as seen from below the fixture;

FIG. 3 is a perspective view thereof as seen from above and to the left of the fixture, the right side of the fixture being a mirror image of the left side;

FIG. 4 is a front elevational view thereof; and,

FIG. 5 is a rear elevational view thereof.

1 Claim, 2 Drawing Sheets



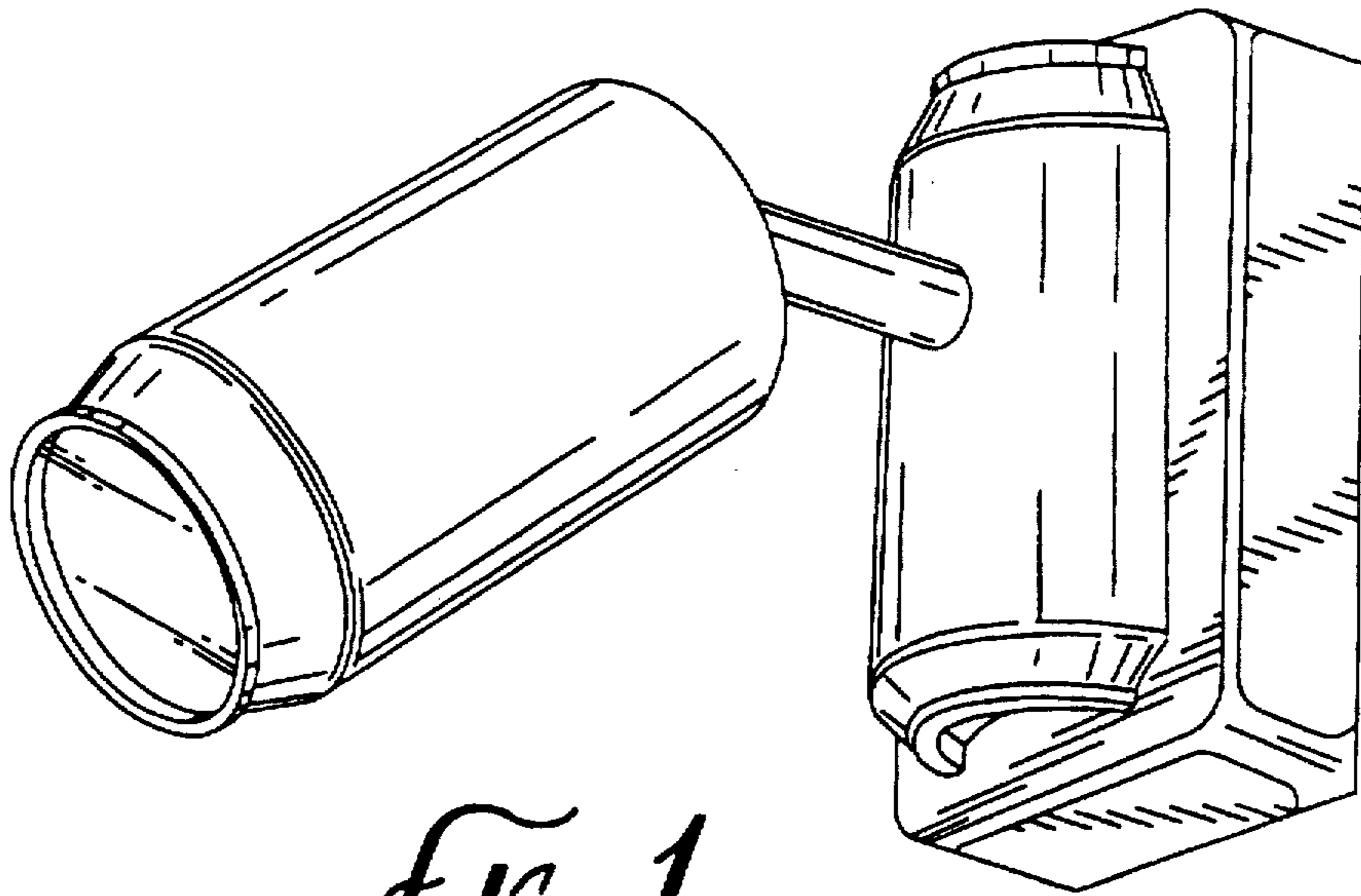


FIG. 1

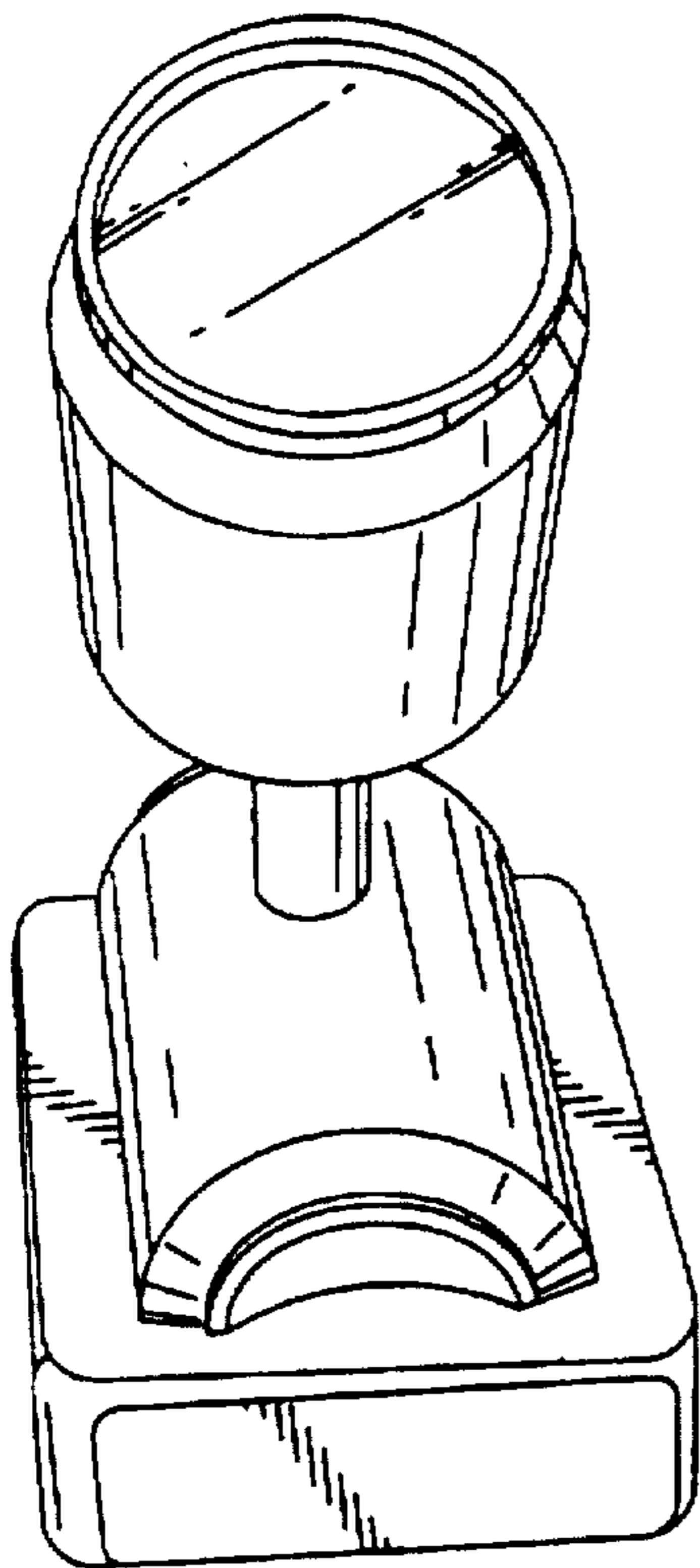


FIG. 2

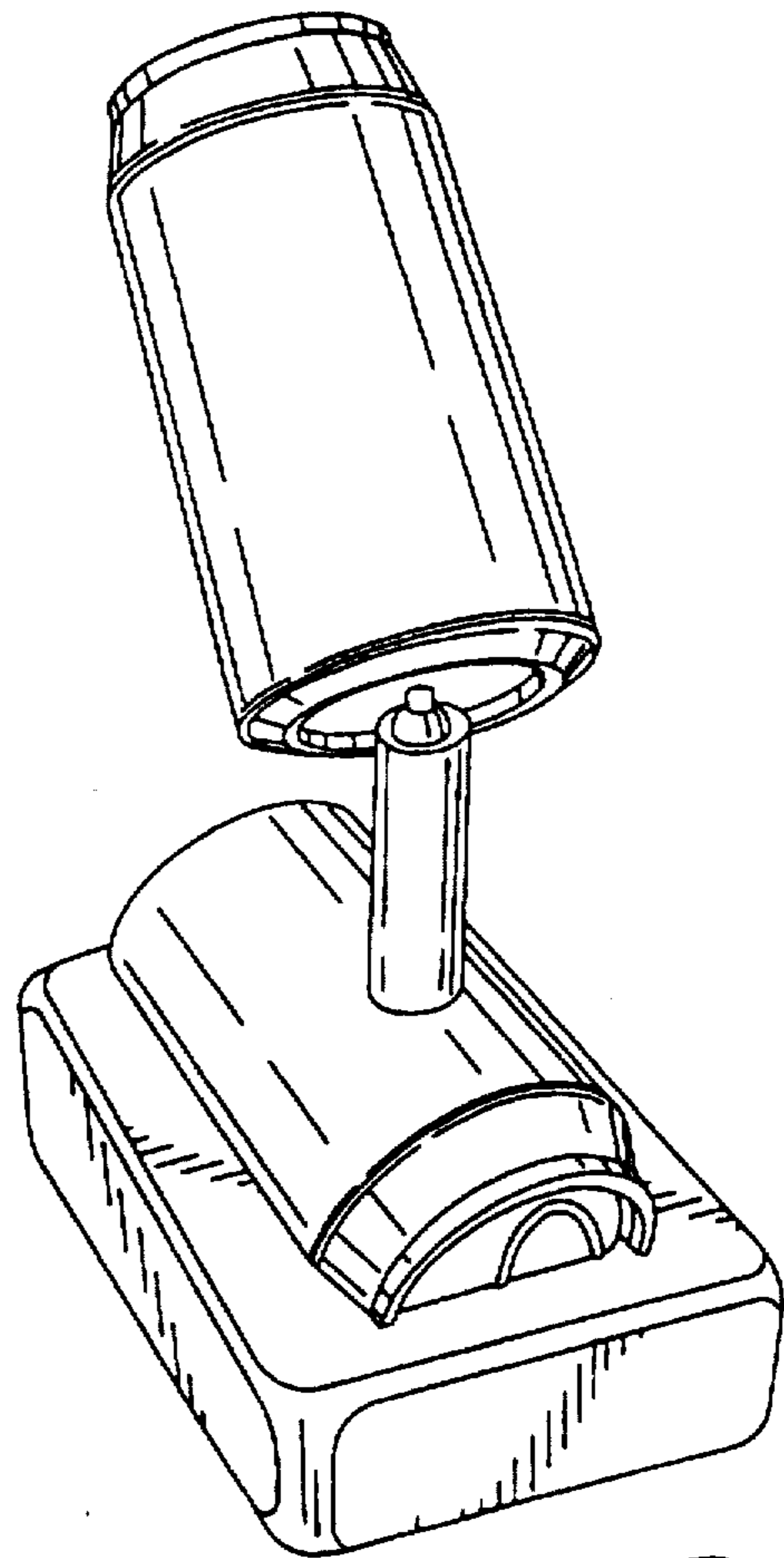


FIG. 3

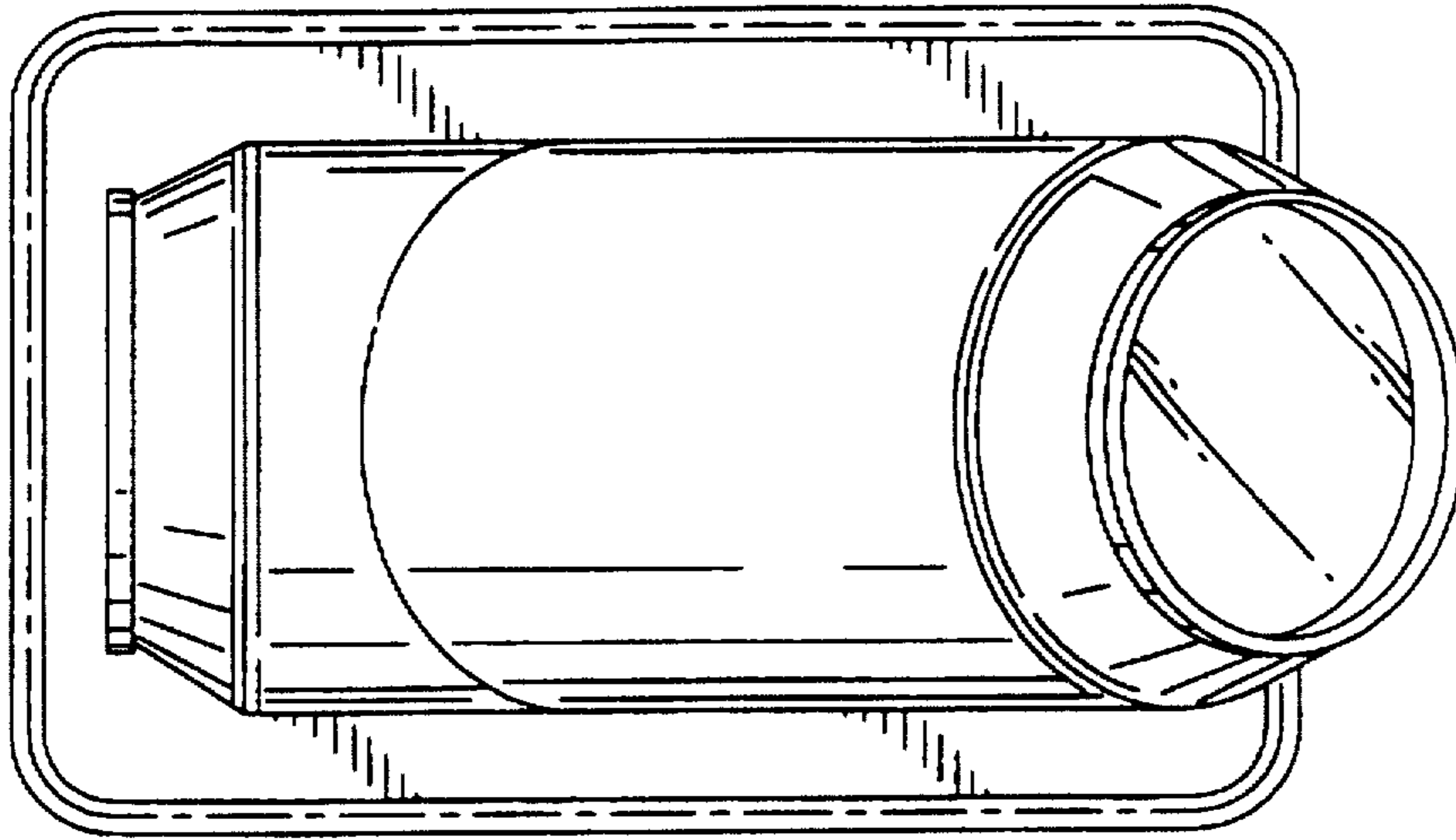


FIG. 4

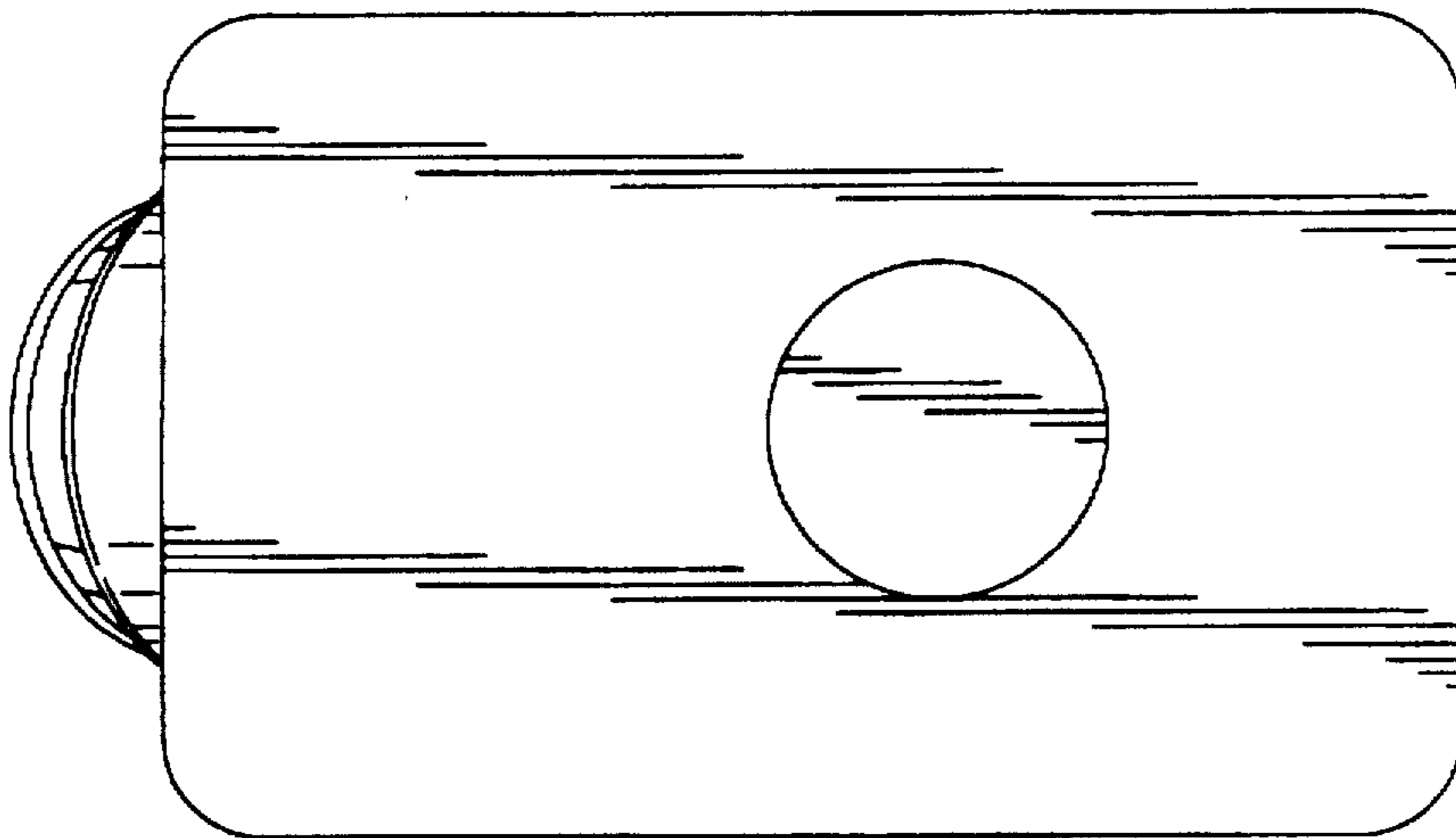


FIG. 5