



US00D394322S

# United States Patent [19]

Dalton et al.

[11] Patent Number: **Des. 394,322**

[45] Date of Patent: **\*\*May 12, 1998**

[54] LANTERN  
[75] Inventors: **David R. Dalton**, Westlake, Ohio; **John R. Brown**, New South Wales, Australia

[73] Assignee: **Eveready Battery Company, Inc.**, St. Louis, Mo.

[\*\*] Term: **14 Years**

[21] Appl. No.: **64,595**

[22] Filed: **Jan. 6, 1997**

[51] LOC (6) Cl. .... **26-02**

[52] U.S. Cl. .... **D26/48**

[58] Field of Search ..... D26/37-50; 362/157, 362/158, 183-191, 198, 199, 200, 202, 205, 196, 197

[56] **References Cited**

**U.S. PATENT DOCUMENTS**

- D. 226,219 1/1973 Brindley ..... D26/48
- D. 280,936 10/1985 Dinsmore et al. .... D26/48

- D. 287,293 12/1986 Wang ..... D26/38
- D. 291,838 9/1987 Jung ..... D26/48
- D. 313,665 1/1991 Yuen ..... D26/48
- D. 333,359 2/1993 Burns et al. .... D26/48
- D. 372,549 8/1996 Zo ..... D26/48

*Primary Examiner*—Marcus A. Jackson  
*Attorney, Agent, or Firm*—Robert W. Welsh; S. Allan Fraser

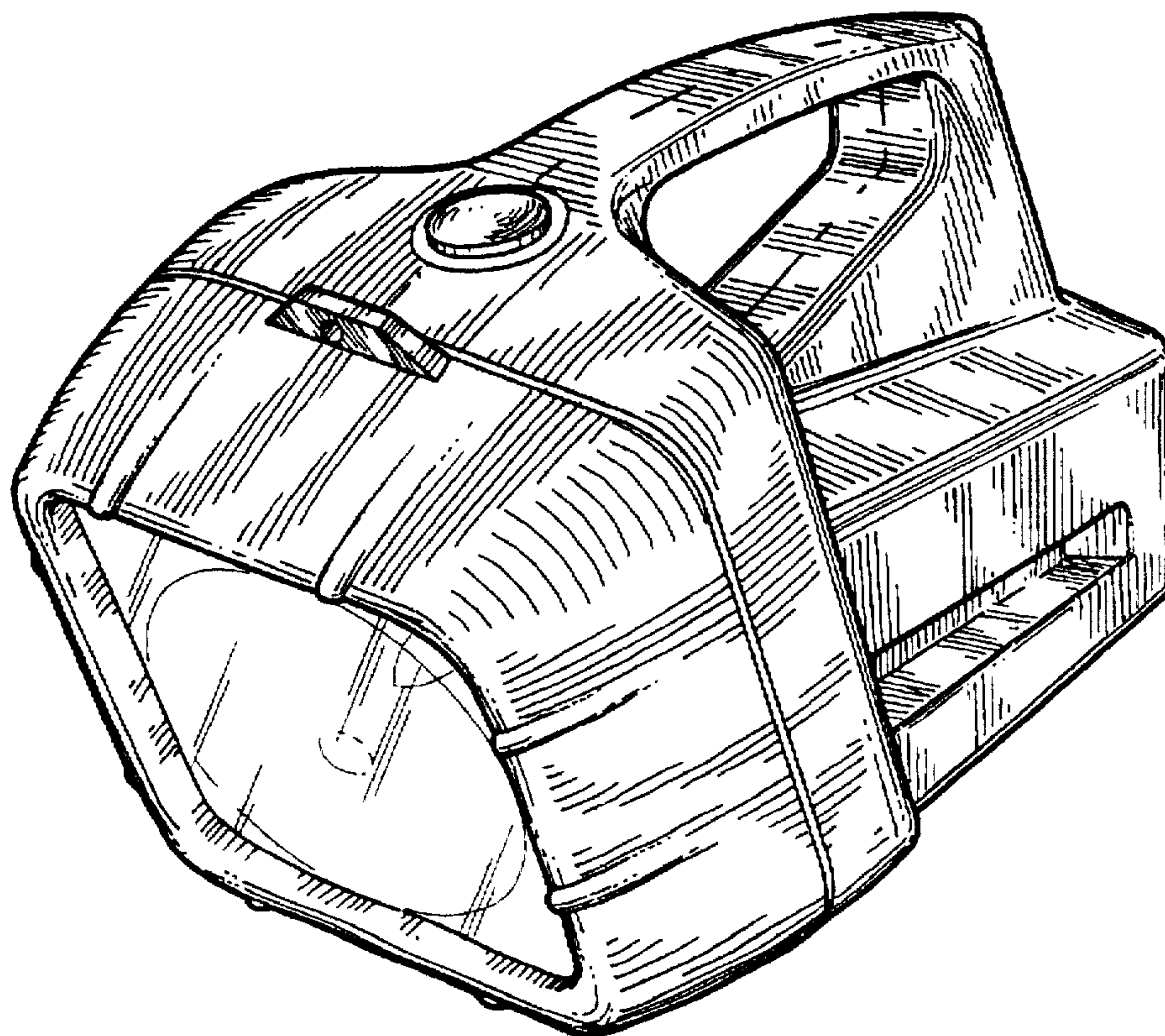
[57] **CLAIM**

The ornamental design for the lantern, as shown and described.

**DESCRIPTION**

FIG. 1 is a front perspective view of a lantern showing my/our new design;  
FIG. 2 is a rear perspective view thereof;  
FIG. 3 is a left side elevational view thereof; the right side elevation is a mirror image of the left side elevation;  
FIG. 4 is a top plan view thereof;  
FIG. 5 is a rear elevational view thereof;  
FIG. 6 is a front elevational view thereof; and,  
FIG. 7 is a bottom plan view thereof.

**1 Claim, 4 Drawing Sheets**



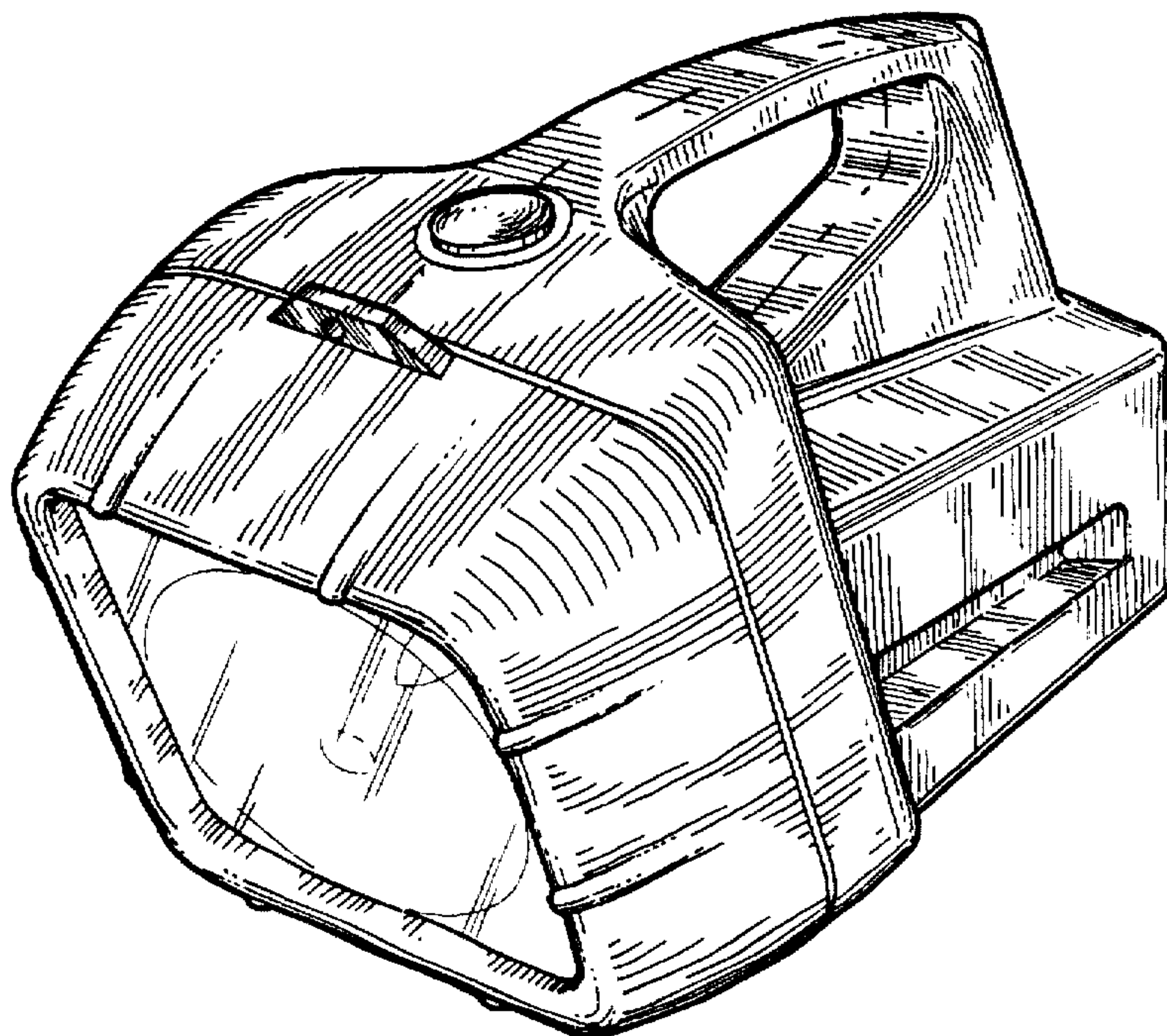


Fig. 1

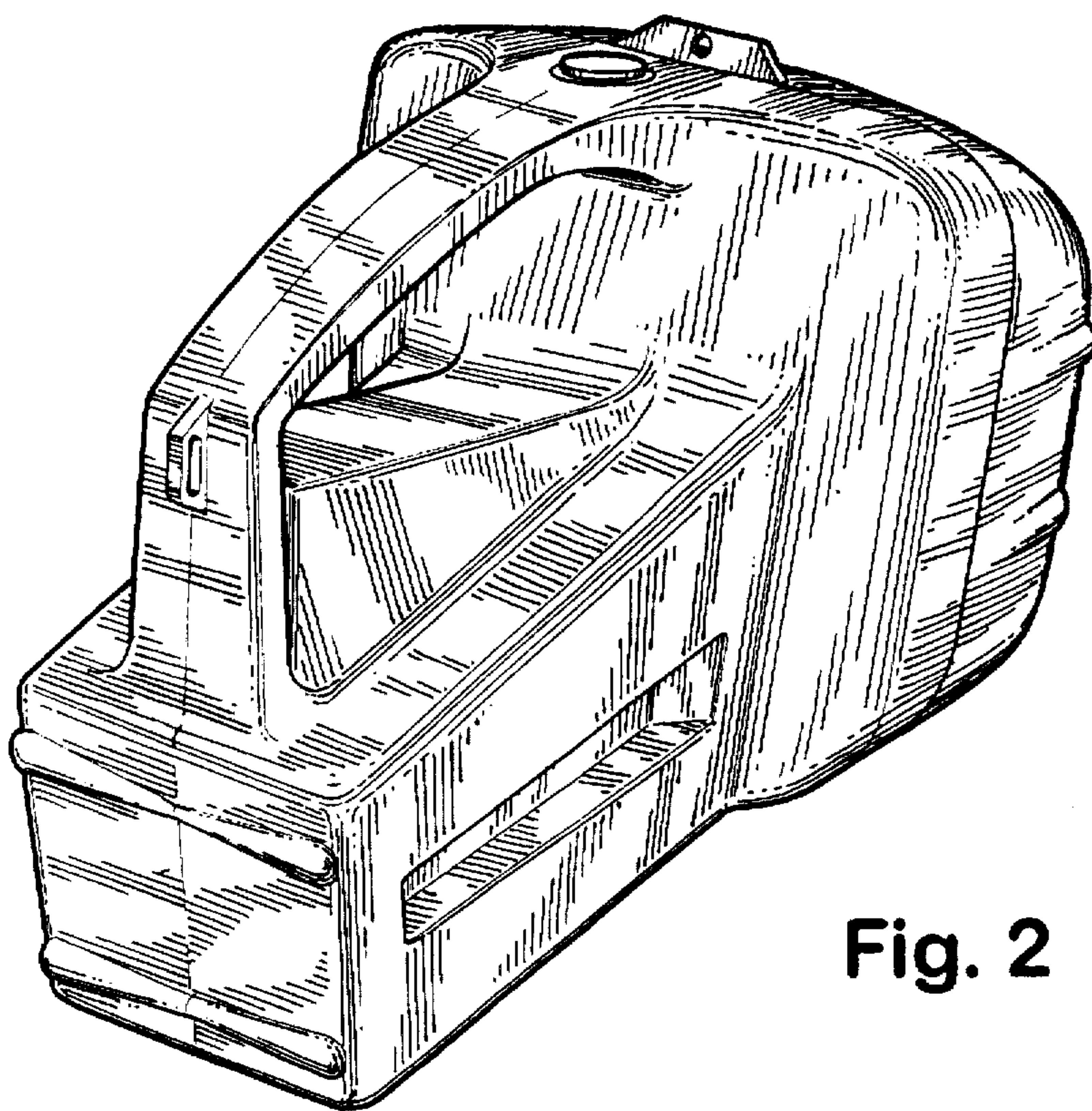
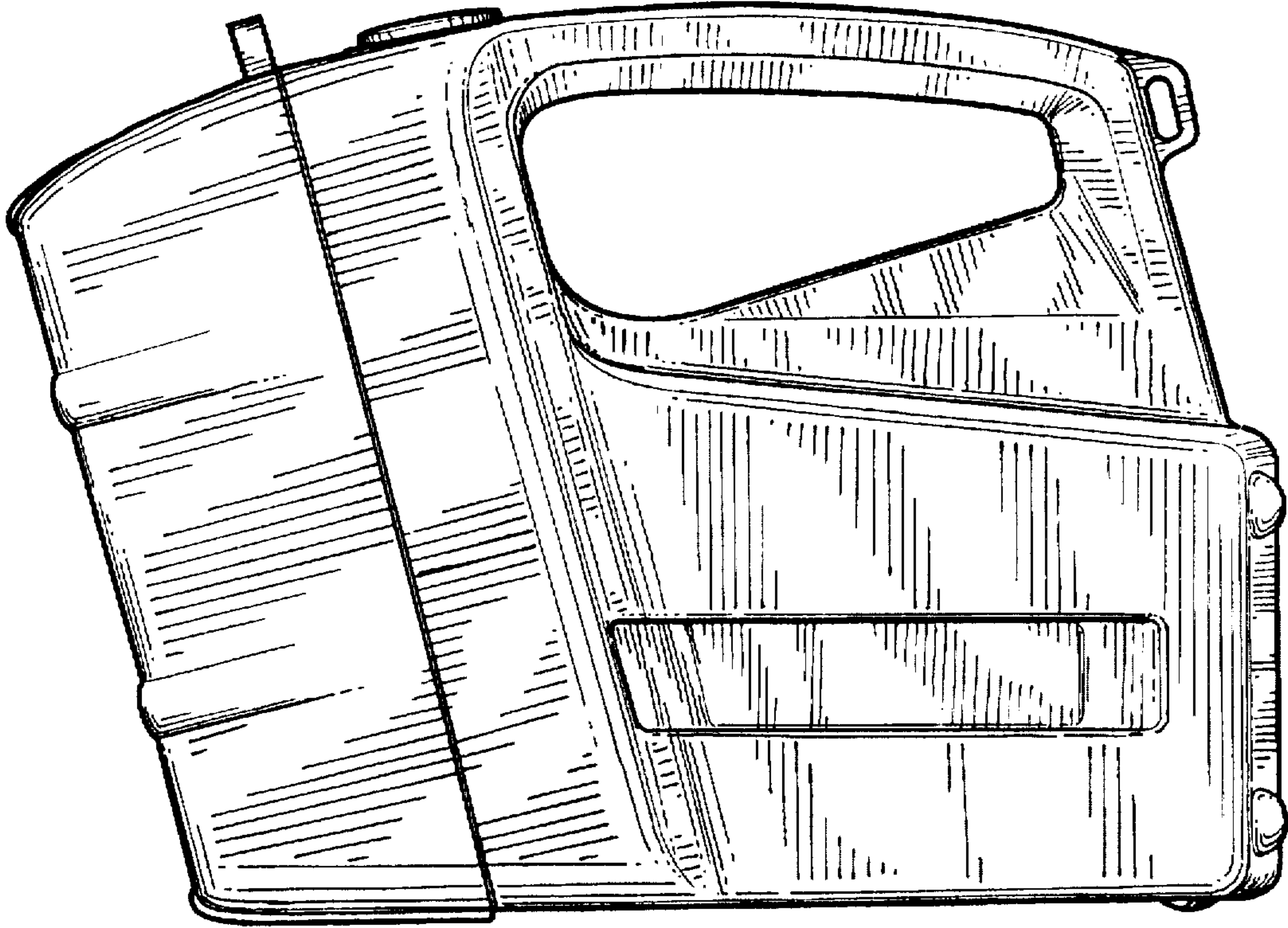
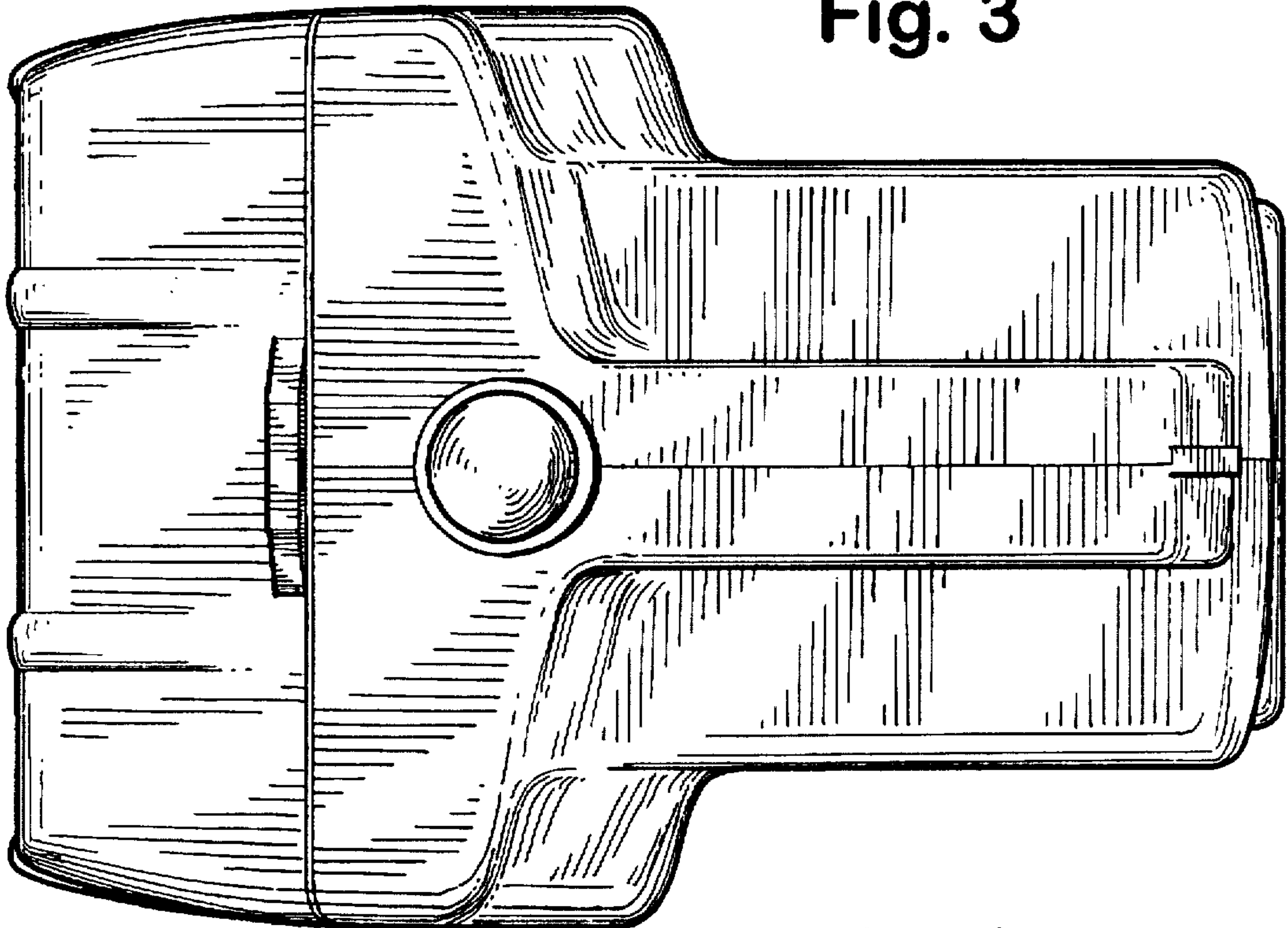


Fig. 2





**Fig. 3**



**Fig. 4**

Fig. 5

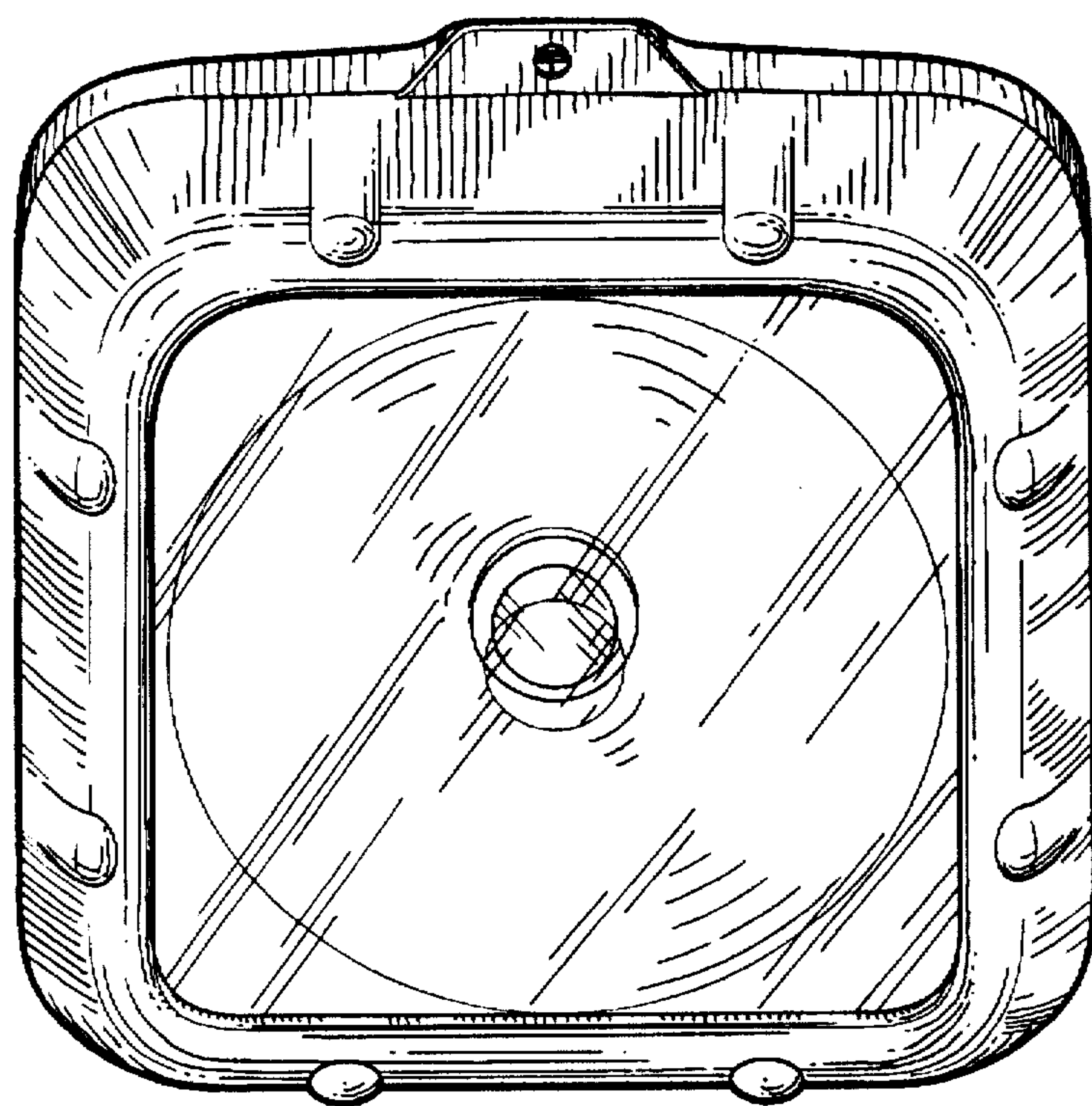
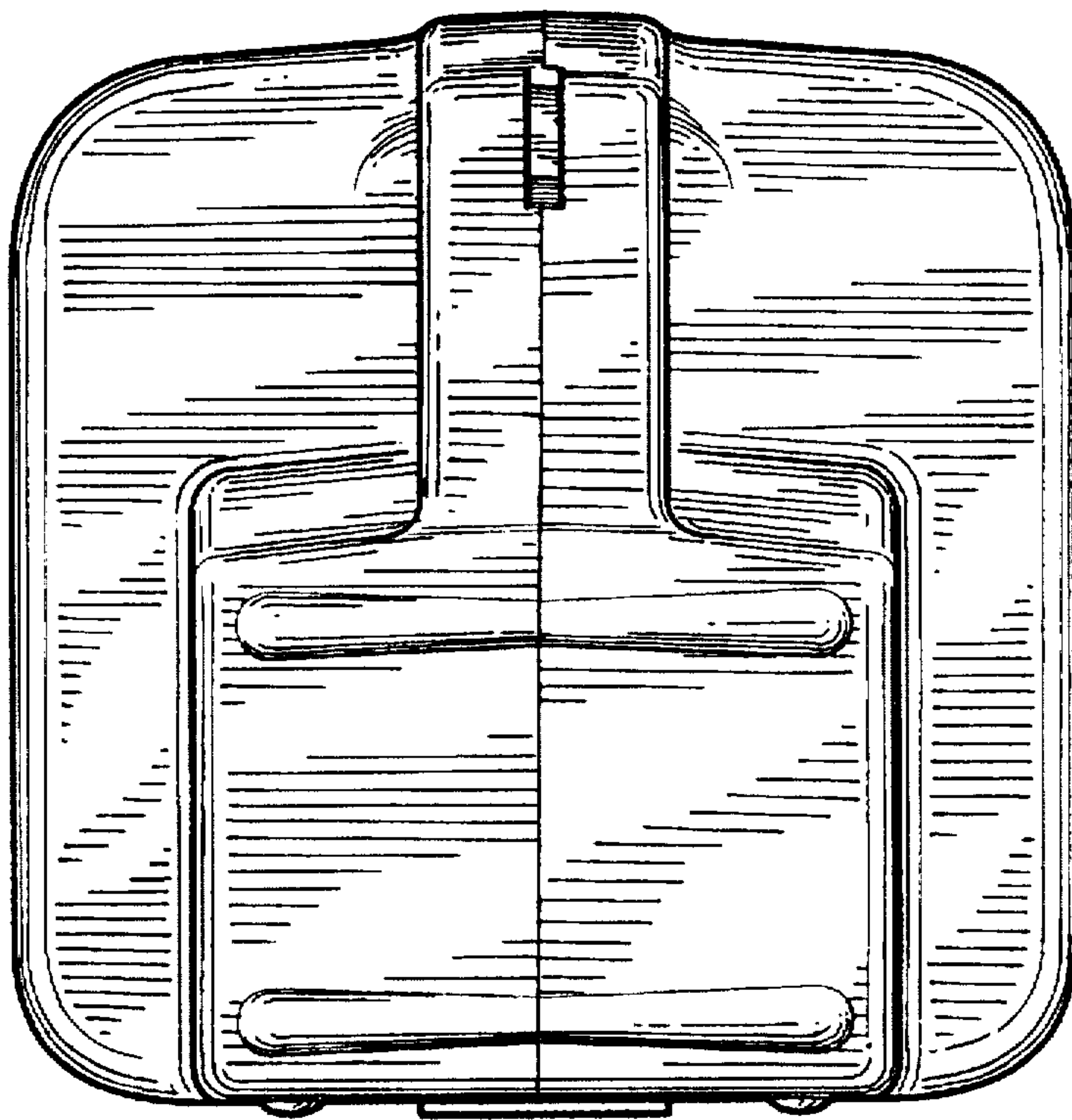


Fig. 6

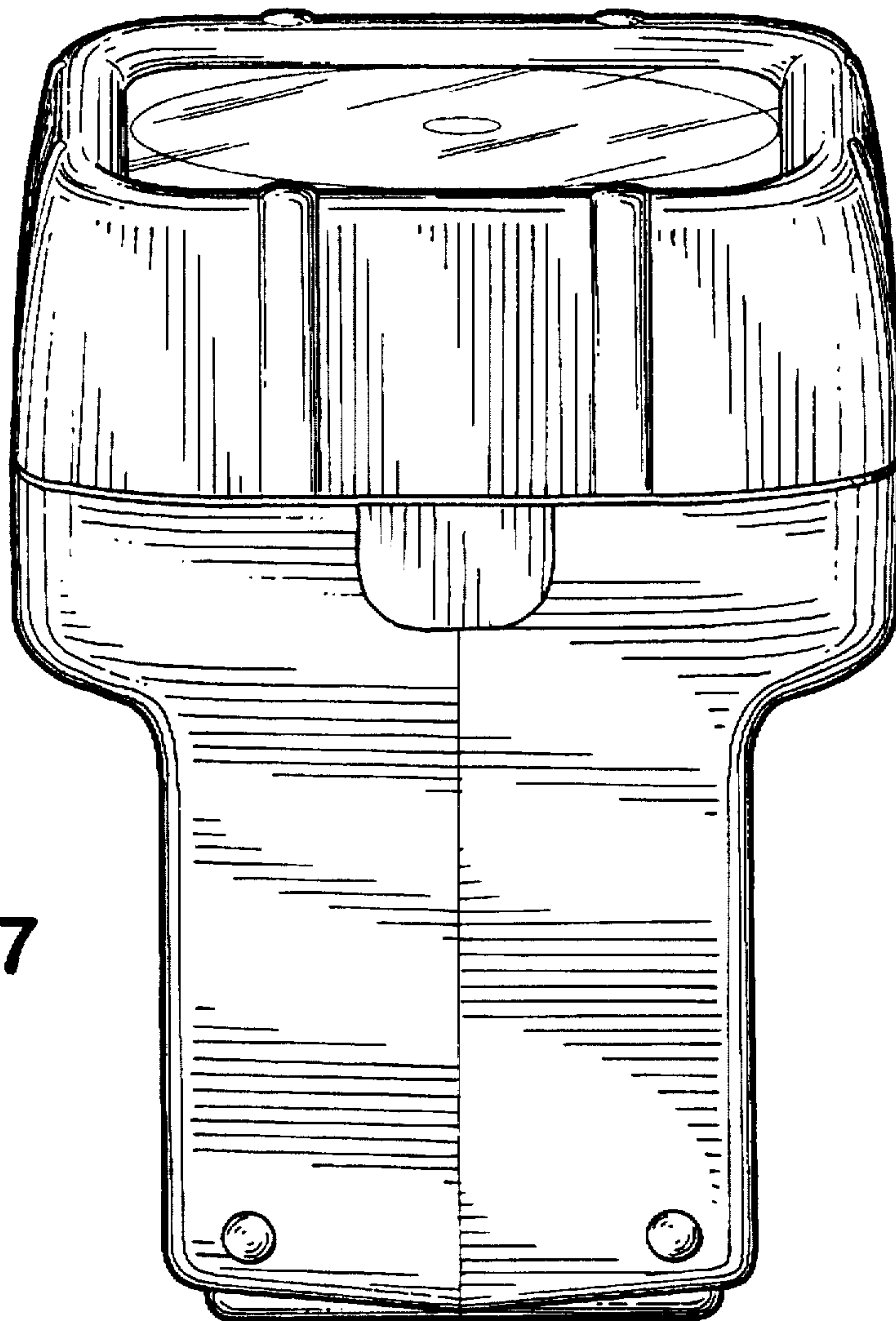


Fig. 7