



US00D394315S

**United States Patent** [19]  
**Fisher**

[11] **Patent Number: Des. 394,315**  
[45] **Date of Patent: \*\*May 12, 1998**

[54] **SURGICAL SAW BLADE HUB**  
[76] **Inventor: Michael G. Fisher, 1468 Lake Hills Dr., El Dorado Hills, Calif. 95752**  
[\*\*] **Term: 14 Years**  
[21] **Appl. No.: 57,213**  
[22] **Filed: Jul. 19, 1996**  
[51] **LOC (6) Cl. .... 24-02**  
[52] **U.S. Cl. .... D24/146**  
[58] **Field of Search .... D24/146, 147; 30/157, 339, 208; 606/79, 82, 171, 173, 176, 177**

5,507,763 4/1996 Petersen et al. .... 606/176

*Primary Examiner—Doris Clark*

[57] **CLAIM**

The ornamental design for a surgical saw blade hub, as shown and described.

**DESCRIPTION**

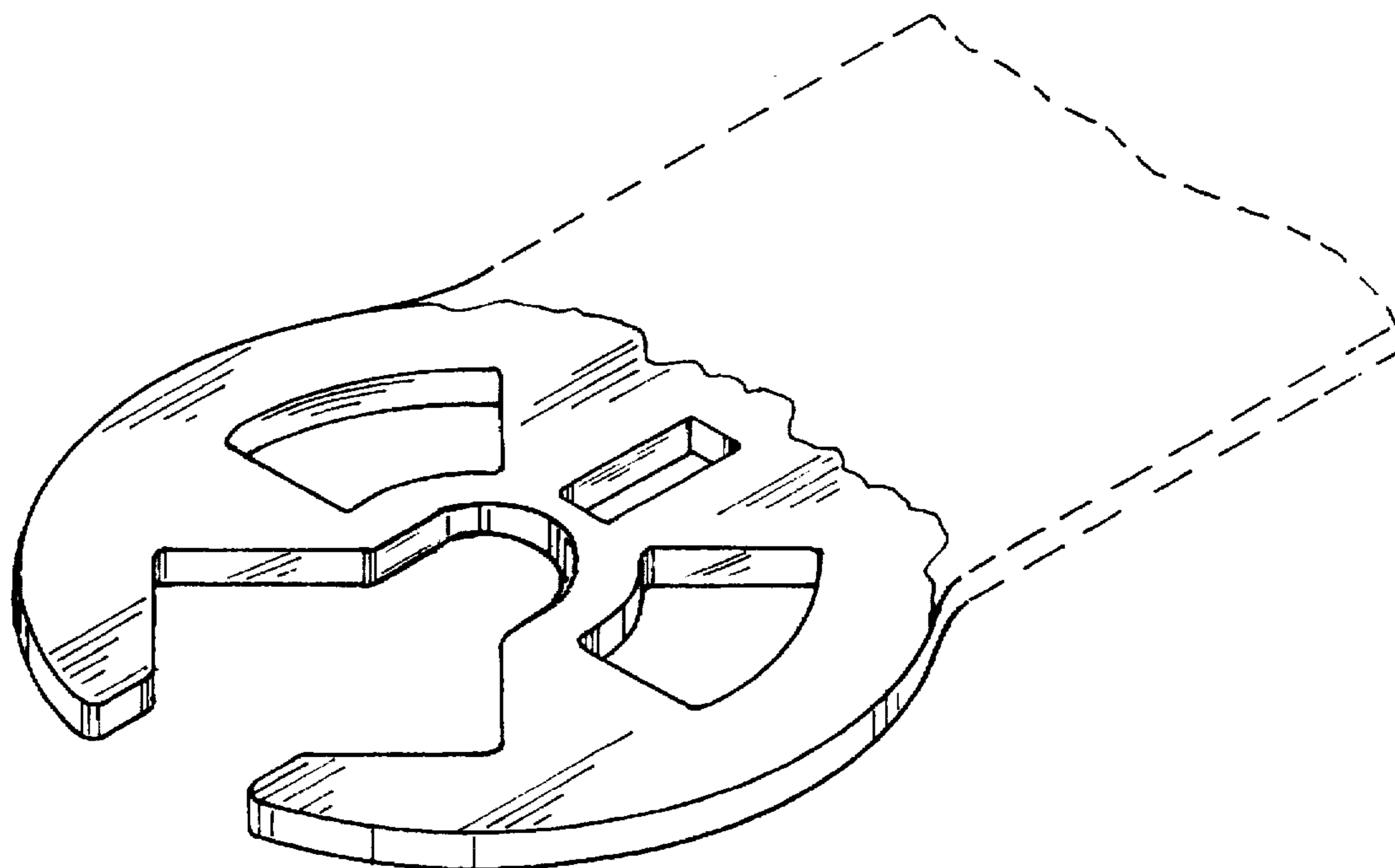
FIG. 1 is a perspective view of a surgical saw blade hub showing my new design;  
FIG. 2 is a top plan view thereof, the bottom plan view being identical thereto;  
FIG. 3 is a side elevational view thereof, the opposite side elevational view being identical thereto; and,  
FIG. 4 is a rear elevational view thereof.  
The broken lines showing of the cutting portion of the surgical saw blade hub is for illustrative purposes only, and forms no part of the claimed design.

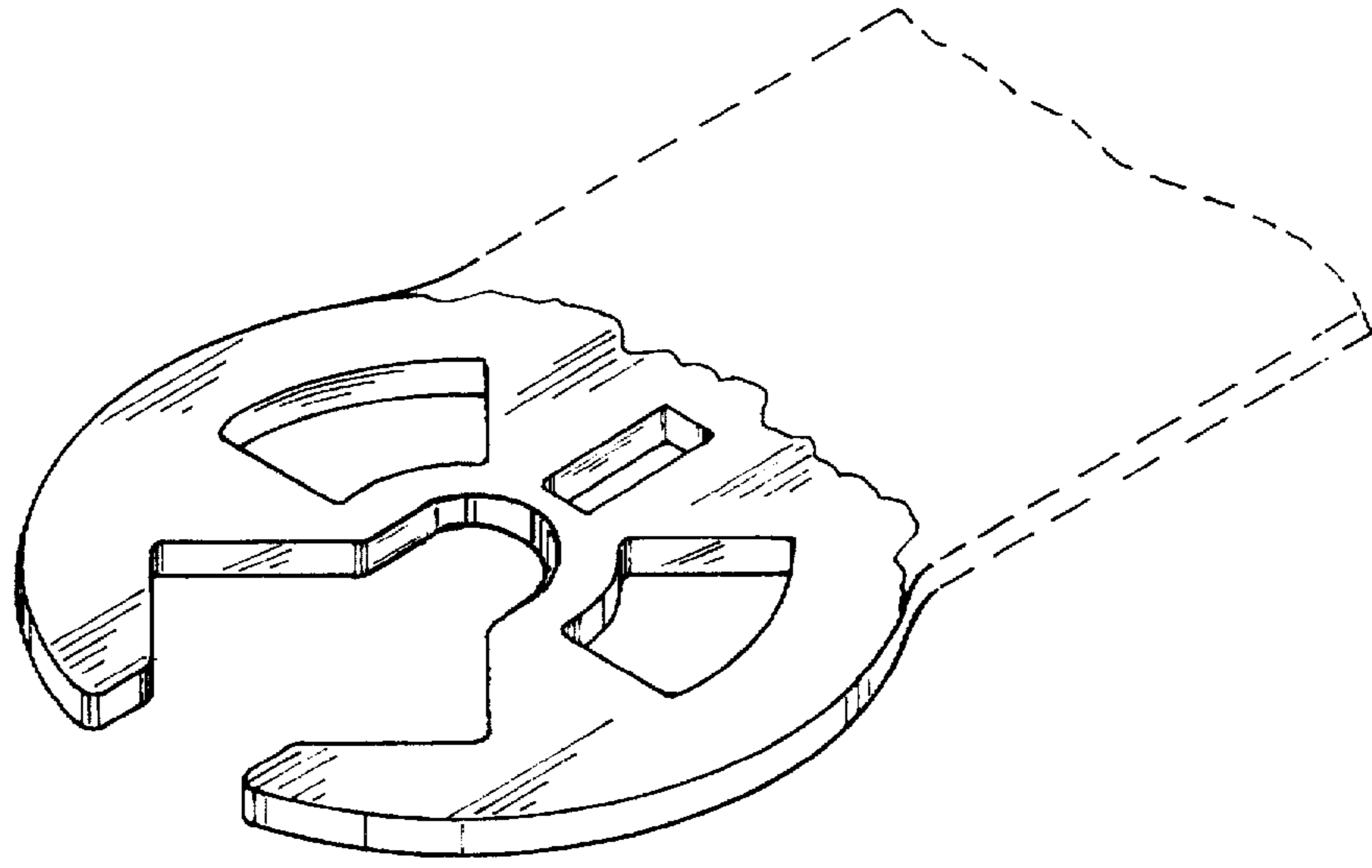
[56] **References Cited**

**U.S. PATENT DOCUMENTS**

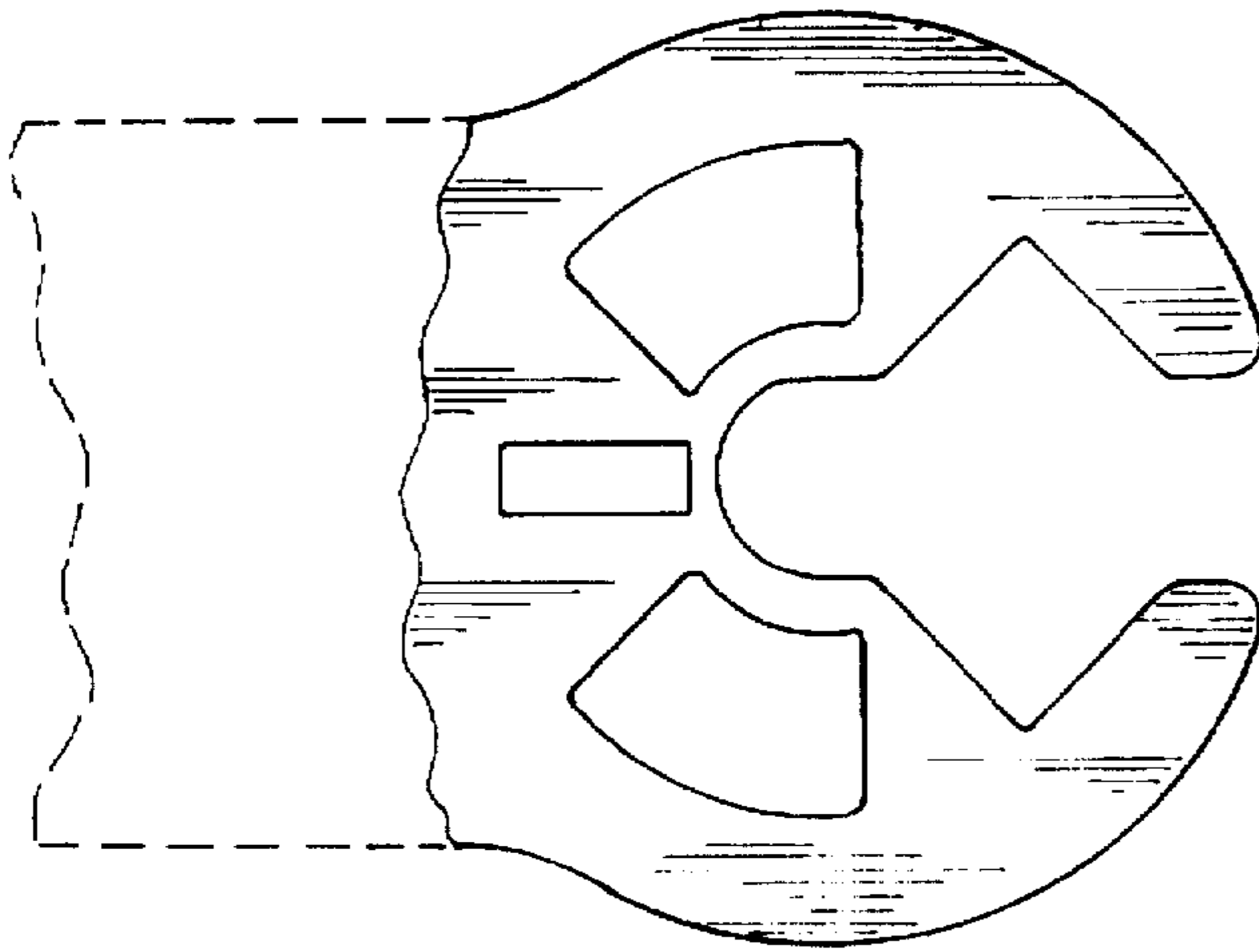
D. 343,247 1/1994 Walen ..... D24/146  
D. 362,065 9/1995 Goris ..... D24/146

**1 Claim, 1 Drawing Sheet**





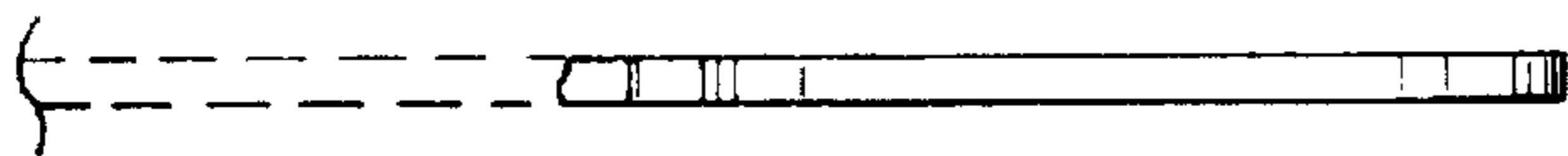
*Fig 1*



*Fig 2*



*Fig 4*



*Fig 3*