



US00D394314S

# United States Patent [19]

Moore et al.

[11] Patent Number: **Des. 394,314**

[45] Date of Patent: **\*\*May 12, 1998**

[54] **DELRIN CARDIOCARE STETHOSCOPE**

[76] Inventors: **Jerome Moore; Gwendolyn Moore**, both of 7387 Waters Edge Dr., Stone Mountain, Ga. 30087; **Shiu Wen Kao**, 833 N. Hariston Rd., Stone Mountain, Ga. 30083

[\*\*] Term: **14 Years**

[21] Appl. No.: **55,727**

[22] Filed: **Apr. 22, 1996**

[51] LOC (6) Cl. .... **24-02**

[52] U.S. Cl. .... **D24/134**

[58] Field of Search ..... D24/134; 181/126, 181/131, 133; 381/67

[56] **References Cited**

**U.S. PATENT DOCUMENTS**

D. 214,002 4/1969 Machlup et al. .... D24/134

D. 269,295 6/1983 Bloom ..... D24/134  
D. 277,890 3/1985 Loughridge et al. .... D24/134  
D. 353,196 12/1994 Savage et al. .... D24/134  
5,514,840 5/1996 Selinger ..... 181/131

*Primary Examiner*—Doris Clark

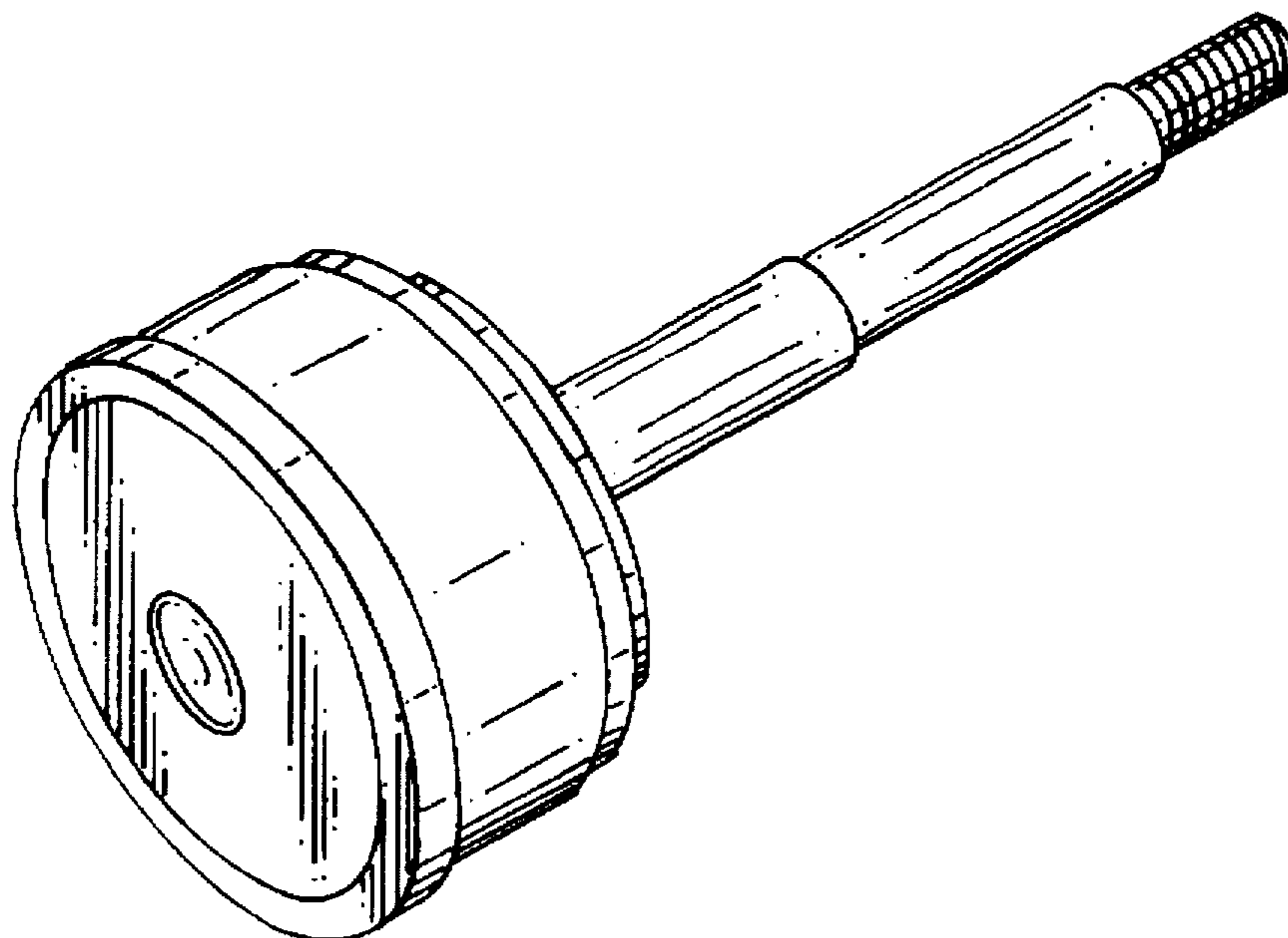
[57] **CLAIM**

The ornamental design for a delrin cardiocare stethoscope, as shown and described.

**DESCRIPTION**

FIG. 1 is an isometric view of a delrin cardiocare stethoscope showing our new design; FIG. 2 is a rear view thereof; FIG. 3 is a front view thereof; and, FIG. 4 is a side view thereof, both sides appearing the same.

**1 Claim, 1 Drawing Sheet**



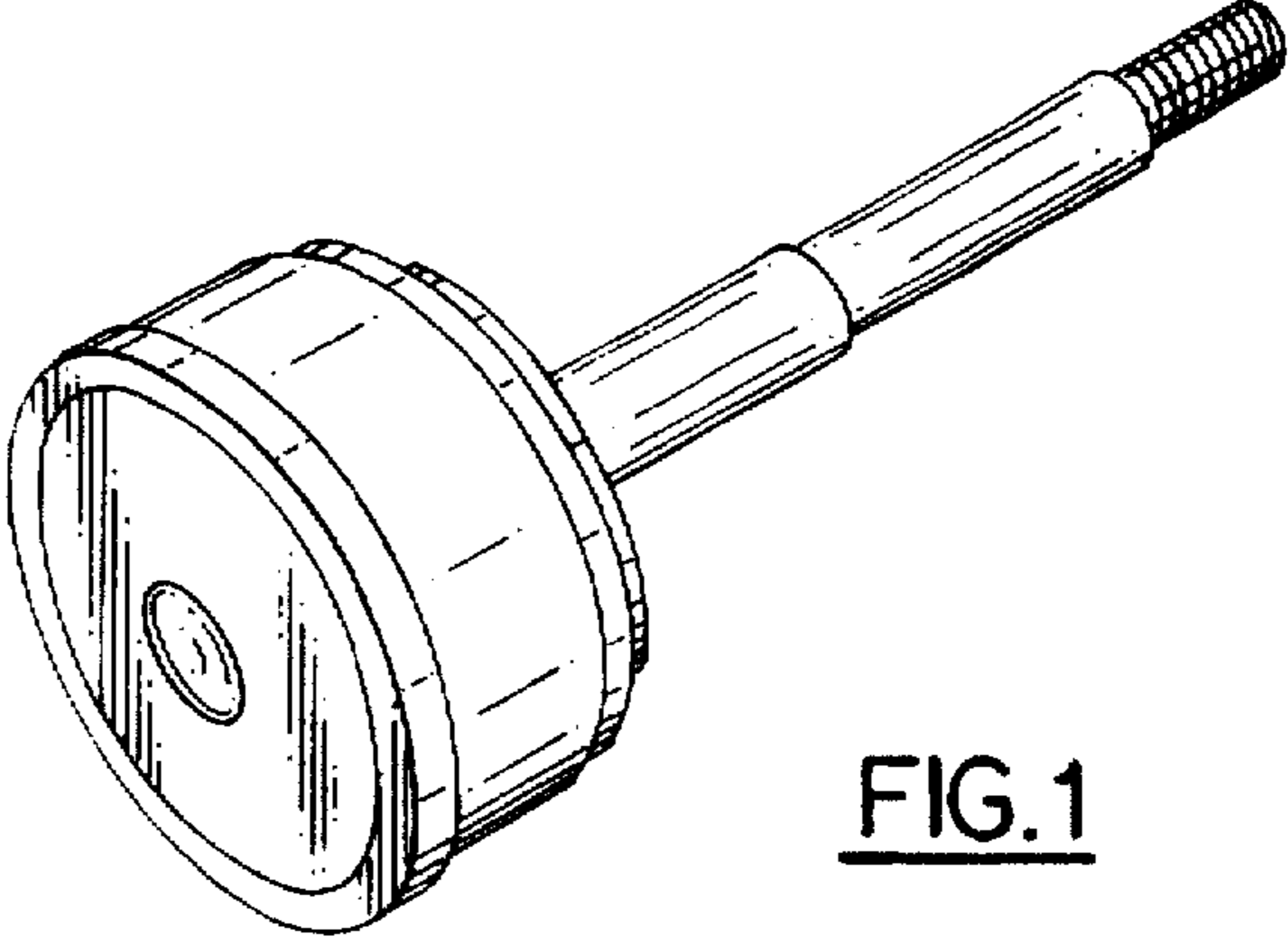


FIG.1

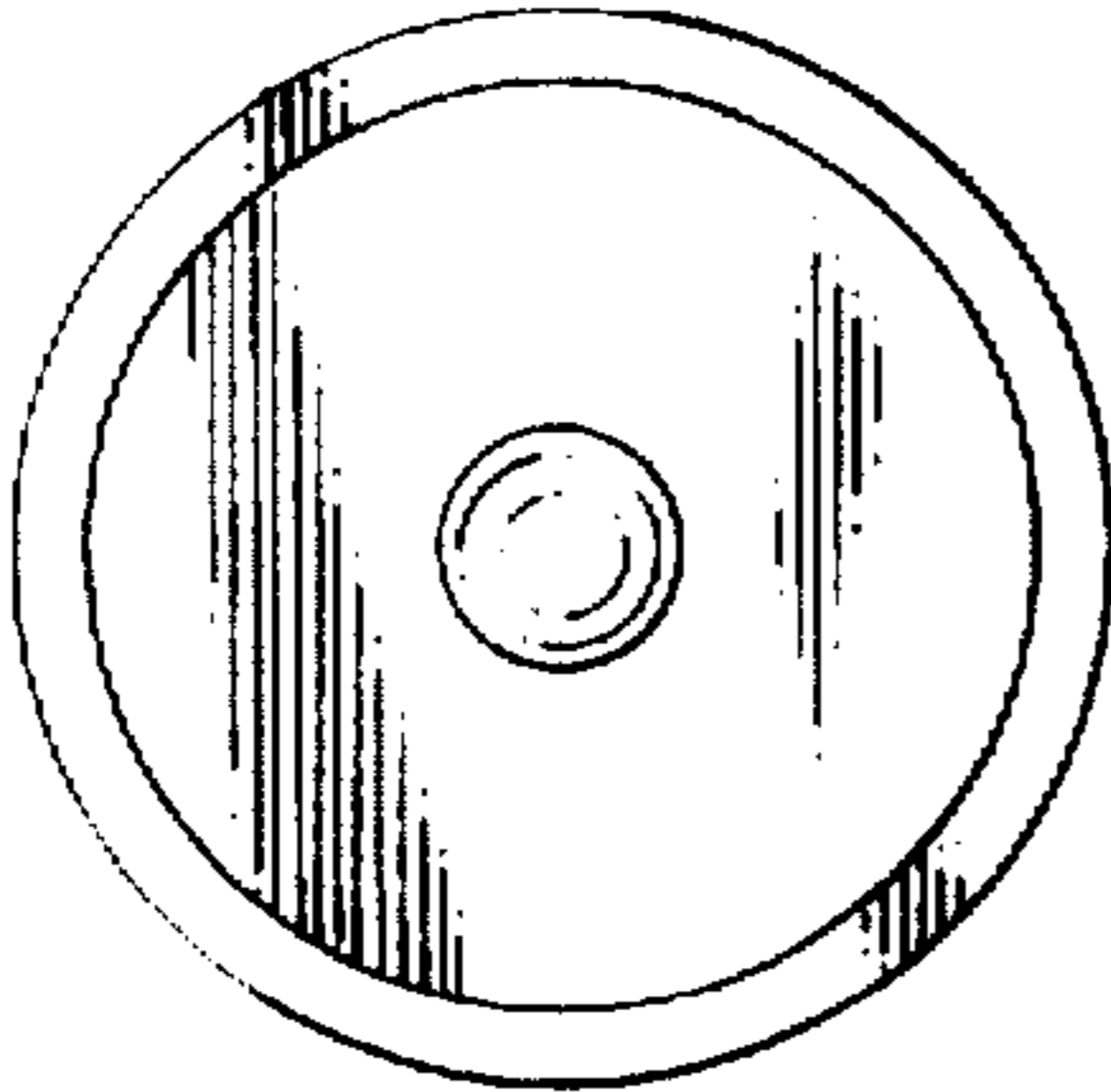


FIG.2

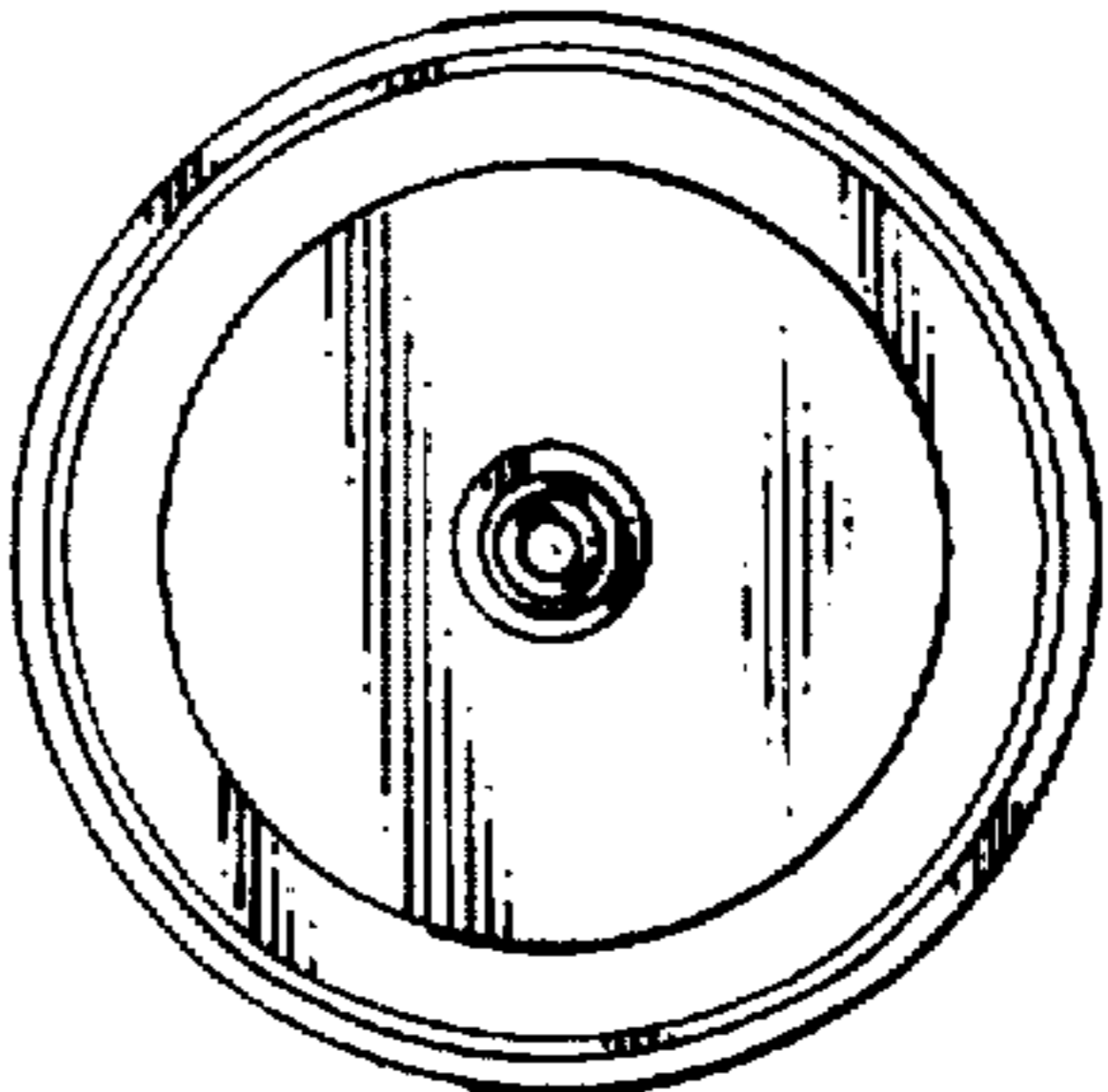


FIG.3

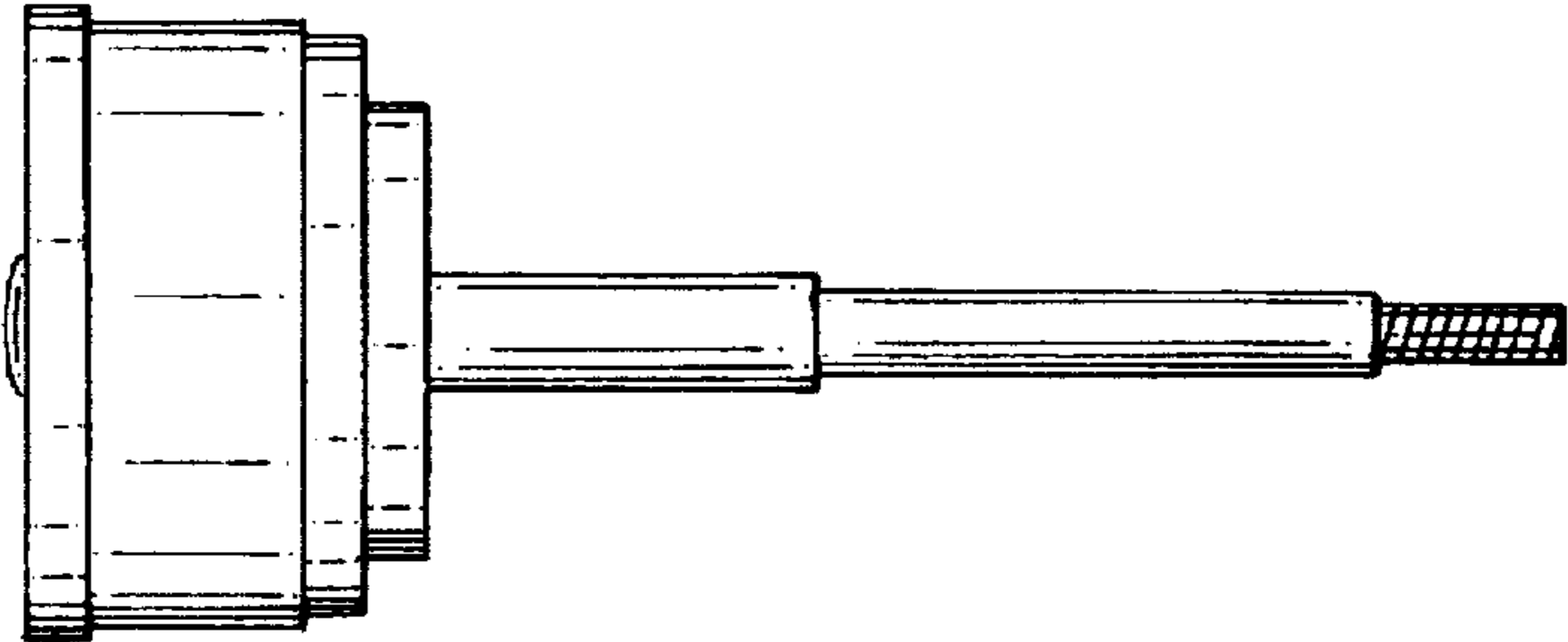


FIG.4