



US00D394308S

United States Patent [19]
Bertoli

[11] **Patent Number:** **Des. 394,308**
[45] **Date of Patent:** ****May 12, 1998**

[54] **LAVATORY**

[75] **Inventor:** **Franco Bertoli, Milan, Italy**

[73] **Assignee:** **American Standard Inc., Piscataway, N.J.**

[**] **Term:** **14 Years**

[21] **Appl. No.:** **69,132**

[22] **Filed:** **Apr. 11, 1997**

[51] **LOC (6) Cl.** **23-02**

[52] **U.S. Cl.** **D23/293.1**

[58] **Field of Search** **D23/284-293.1;**
4/619, 624, 625, 626, 638-650

[56] **References Cited**

U.S. PATENT DOCUMENTS

- D. 201,344 6/1965 Stairs D23/293.1
- D. 202,410 9/1965 Sundberg D23/293.1
- D. 211,524 6/1968 Plantholt D23/293.1

- D. 211,729 7/1968 Armstrong D23/293.1
- D. 292,609 11/1987 Kolada D23/293.1
- D. 314,612 2/1991 Sauter et al. D23/293.1

Primary Examiner—Louis S. Zarfaz
Assistant Examiner—Eric Watterson
Attorney, Agent, or Firm—Elaine Brenner Robinson

[57] **CLAIM**

The ornamental design for a lavatory, as shown and described.

DESCRIPTION

FIG. 1 is a perspective view of a lavatory showing my new design;
FIG. 2 is a top plan view thereof;
FIG. 3 is a bottom plan view thereof;
FIG. 4 is a right side elevational view thereof;
FIG. 5 is a left side elevational view thereof;
FIG. 6 is a front elevational view thereof; and,
FIG. 7 is a rear elevational view thereof.

1 Claim, 4 Drawing Sheets

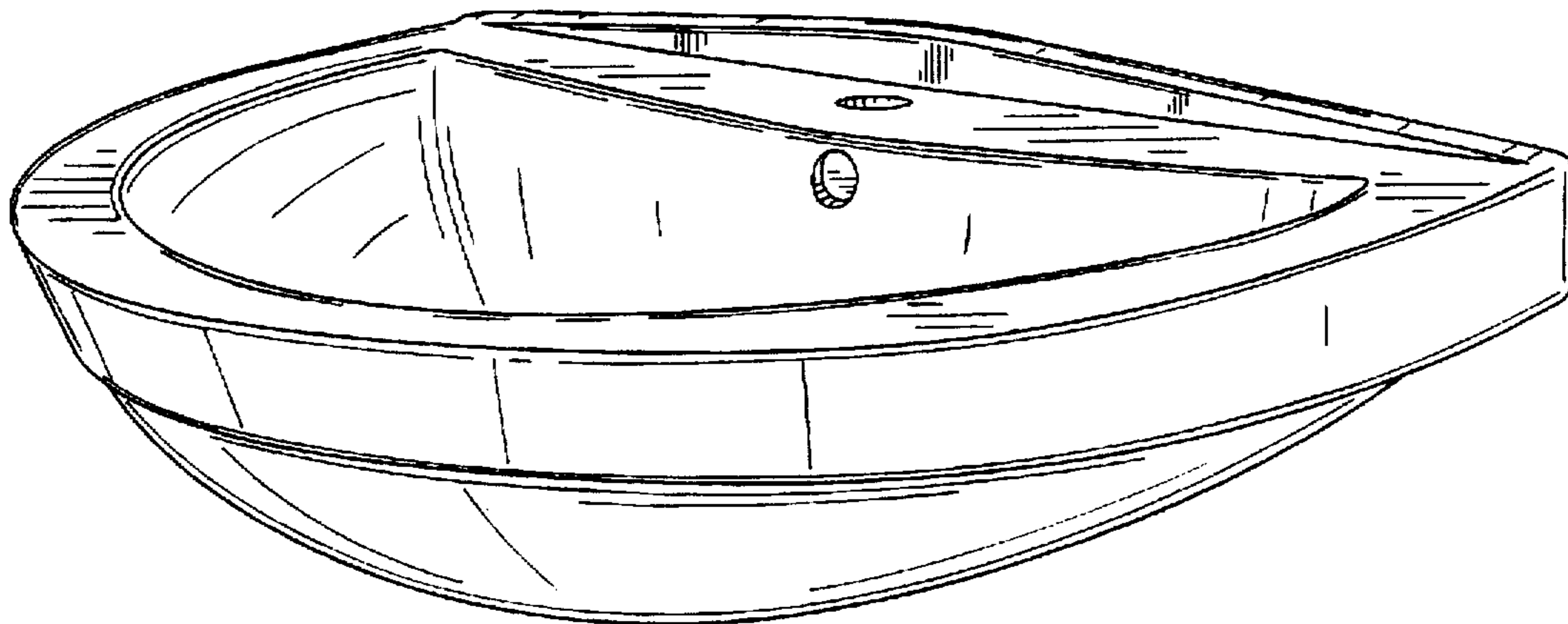


FIG. 1

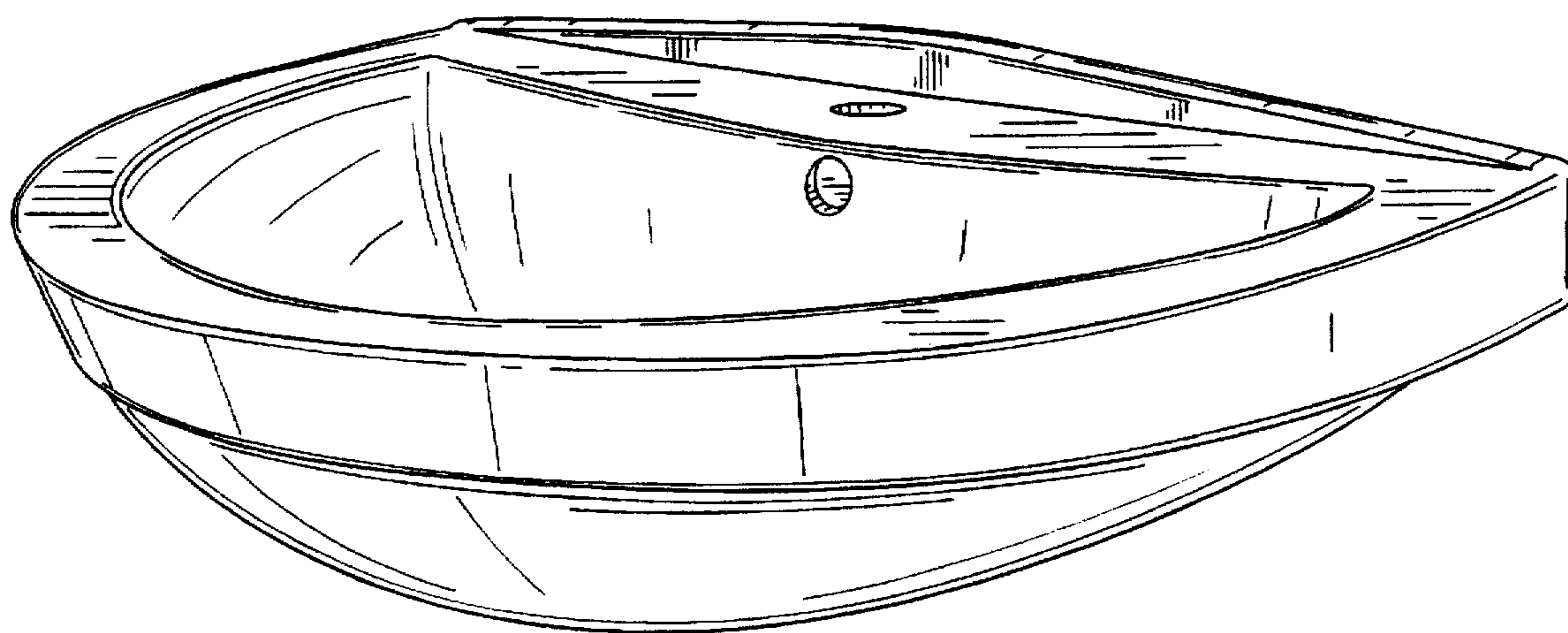


FIG. 2

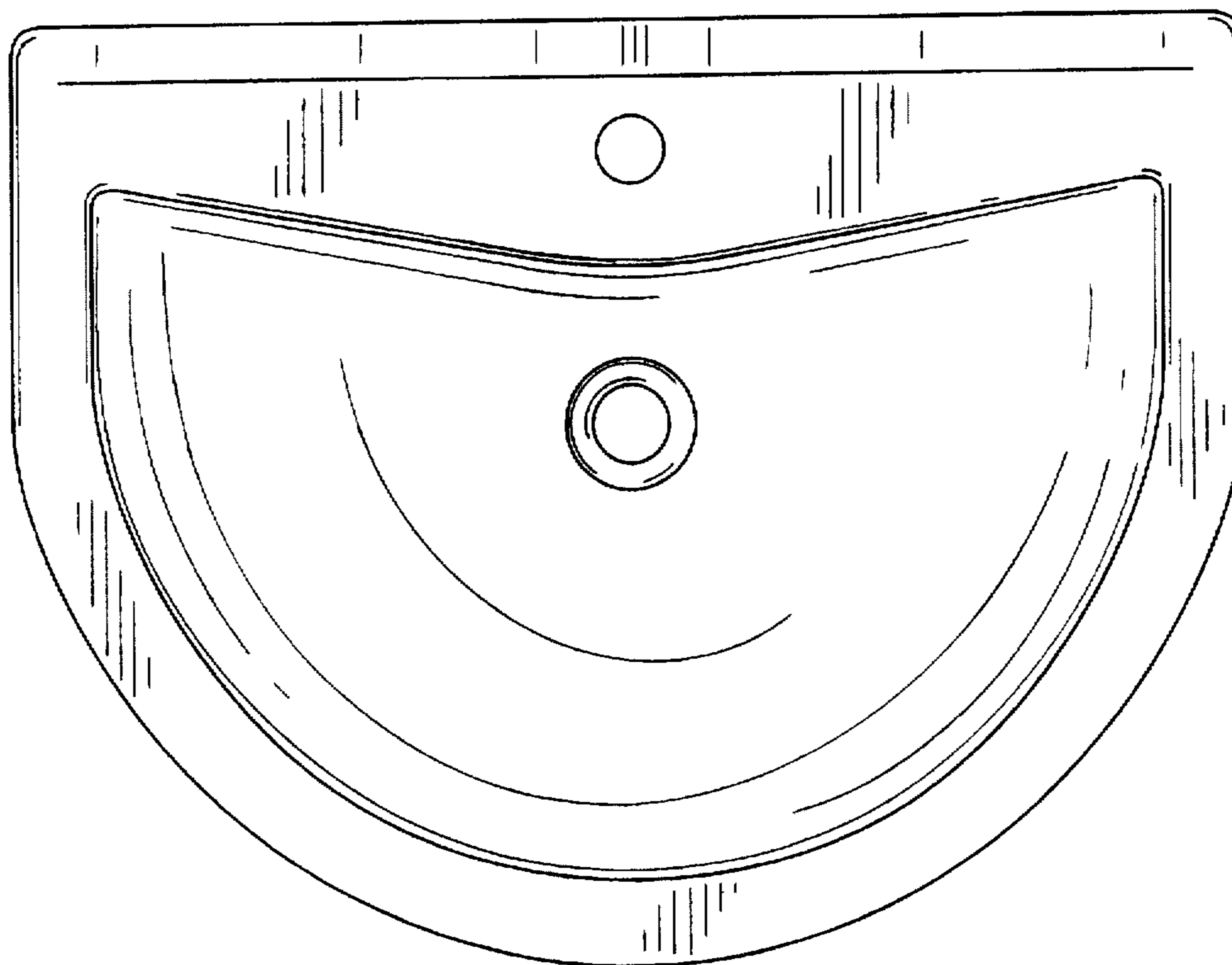


FIG. 3

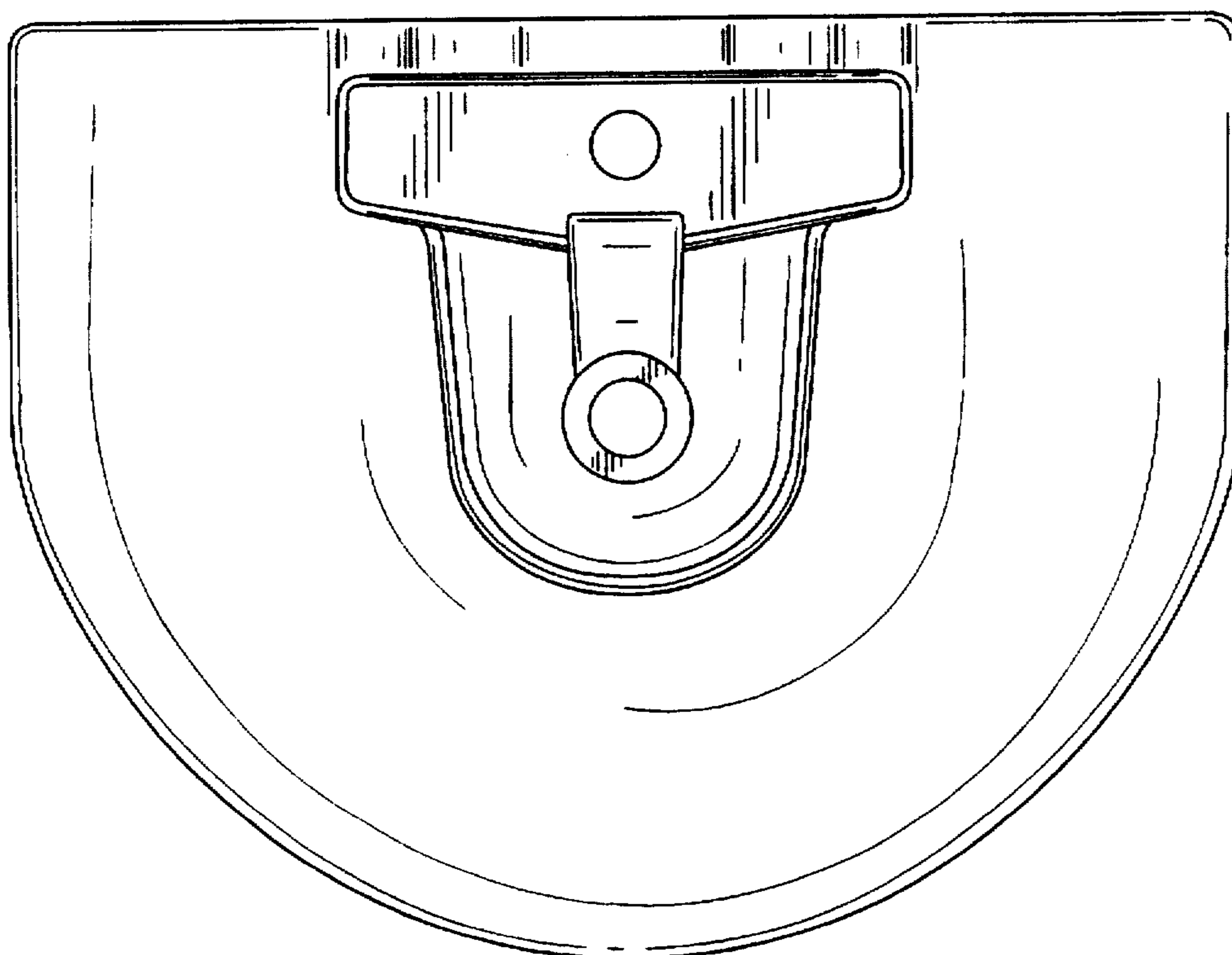


FIG. 4

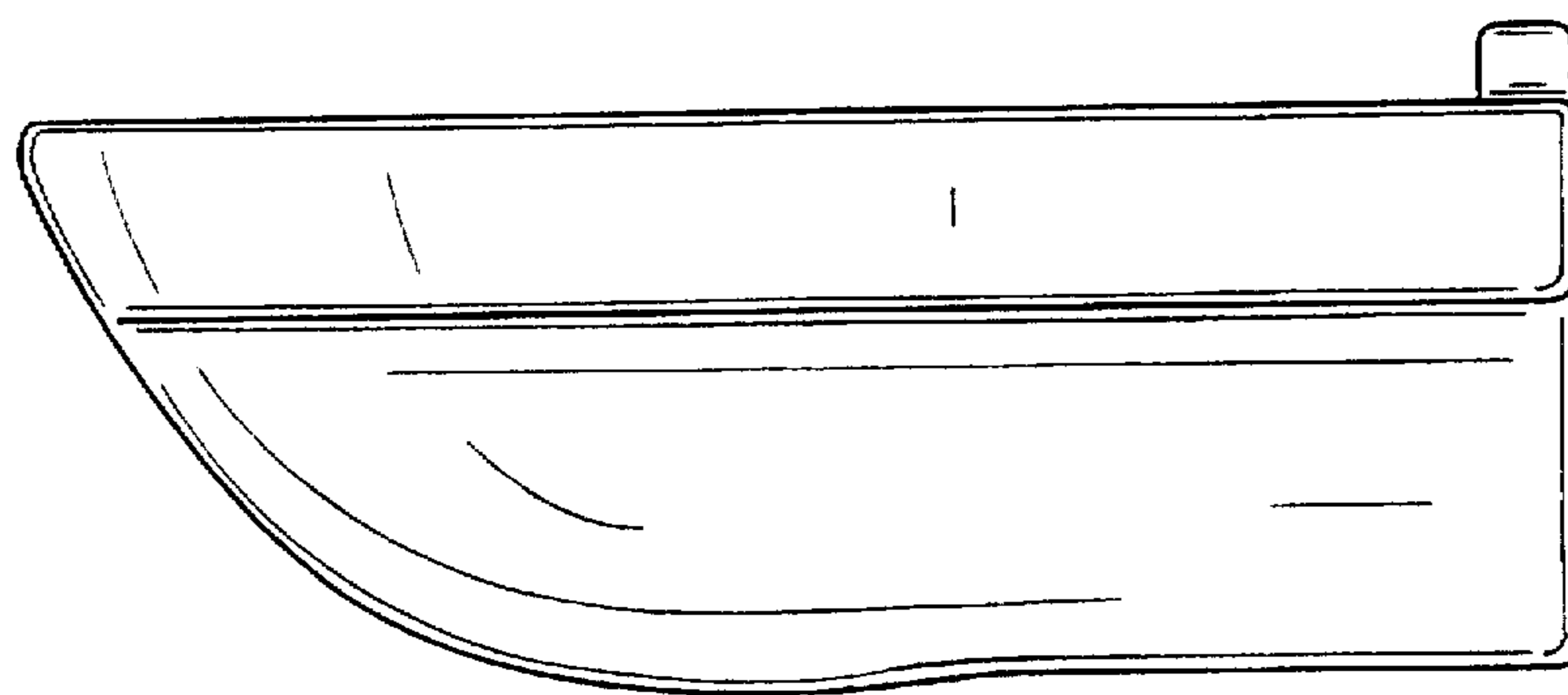


FIG. 5

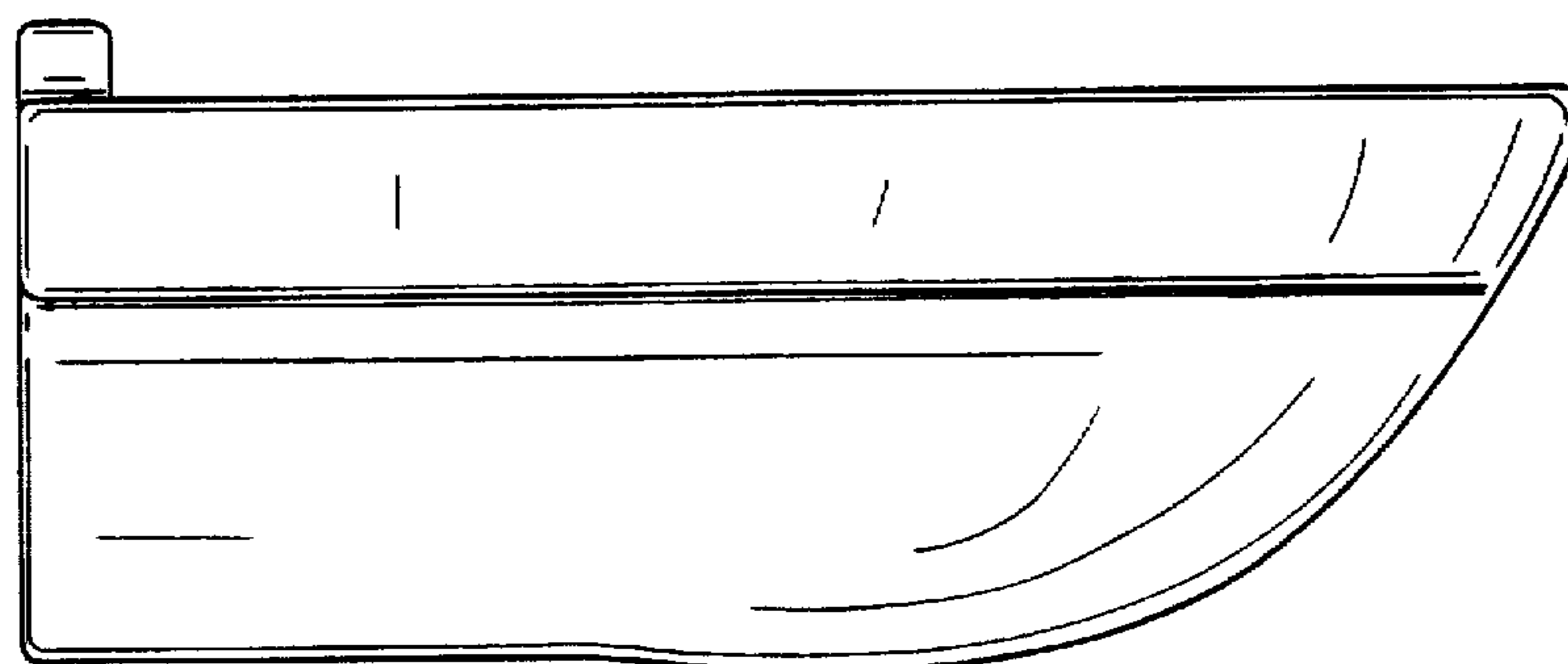


FIG. 6

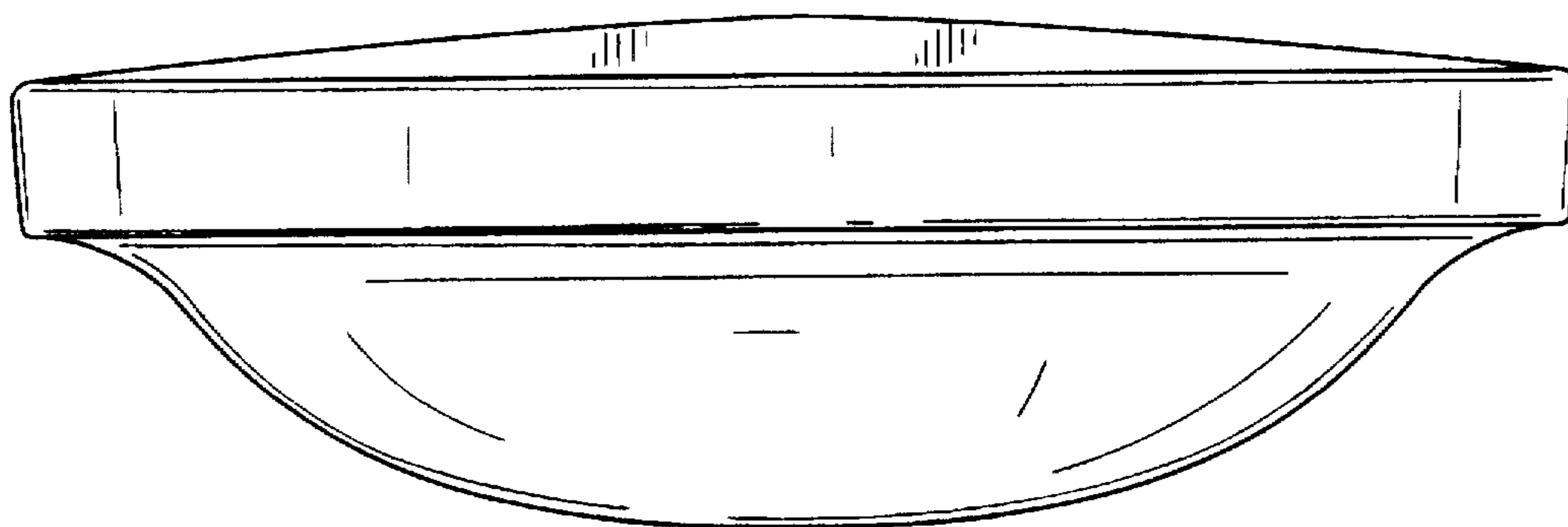


FIG. 7

