



US00D394304S

United States Patent [19]

Kuo

[11] Patent Number: **Des. 394,304**

[45] Date of Patent: ****May 12, 1998**

[54] **SPRAY GUN**

D. 369,853 5/1996 Wang D23/226
5,501,400 3/1996 Kuo 239/525

[75] Inventor: **Yu-Neng Kuo**, Chang Hua Hsien, Taiwan

Primary Examiner—Alan P. Douglas
Assistant Examiner—Robin V. Taylor
Attorney, Agent, or Firm—Beveridge, DeGrandi, Weilacher & Young LLP

[73] Assignee: **Le Yuan Industrial Co., Ltd.**, Chang Hua Hsien, Taiwan

[**] Term: **14 Years**

[57] CLAIM

[21] Appl. No.: **73,220**

The ornamental design for a spray gun, as shown.

[22] Filed: **Jul. 3, 1997**

DESCRIPTION

[51] LOC (6) Cl. **23-01**

[52] U.S. Cl. **D23/226**

[58] Field of Search D23/213, 223-230;
239/394, 459, 460, 525-528

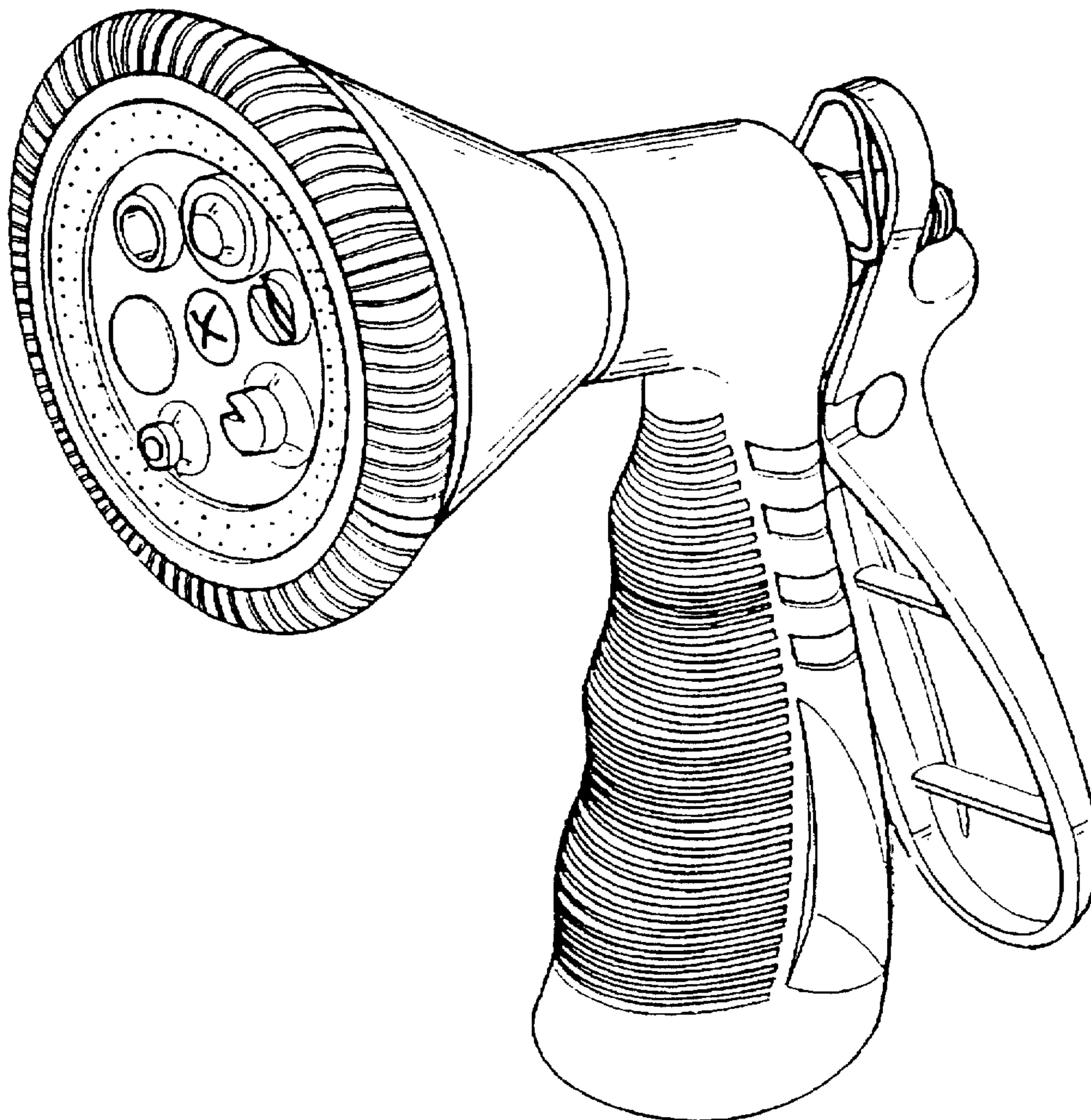
FIG. 1 is a front view of a spray gun showing my new design;
FIG. 2 is a rear view thereof;
FIG. 3 is a left side view thereof;
FIG. 4 is a right side view thereof;
FIG. 5 is a top plan view thereof;
FIG. 6 is a bottom plan view thereof; and,
FIG. 7 is a perspective view thereof.

[56] References Cited

U.S. PATENT DOCUMENTS

D. 314,609 2/1991 Liaw D23/226
D. 356,144 3/1995 Wang D23/226

1 Claim, 3 Drawing Sheets



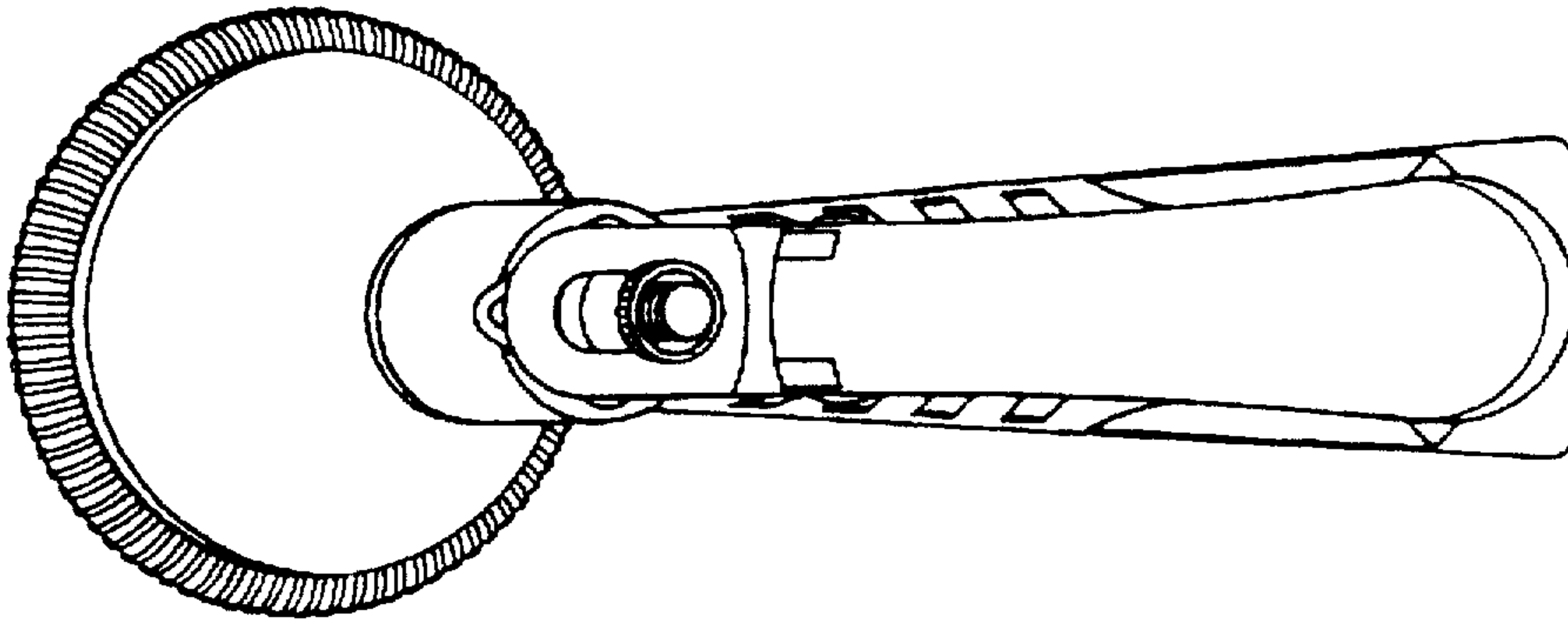


FIG 4

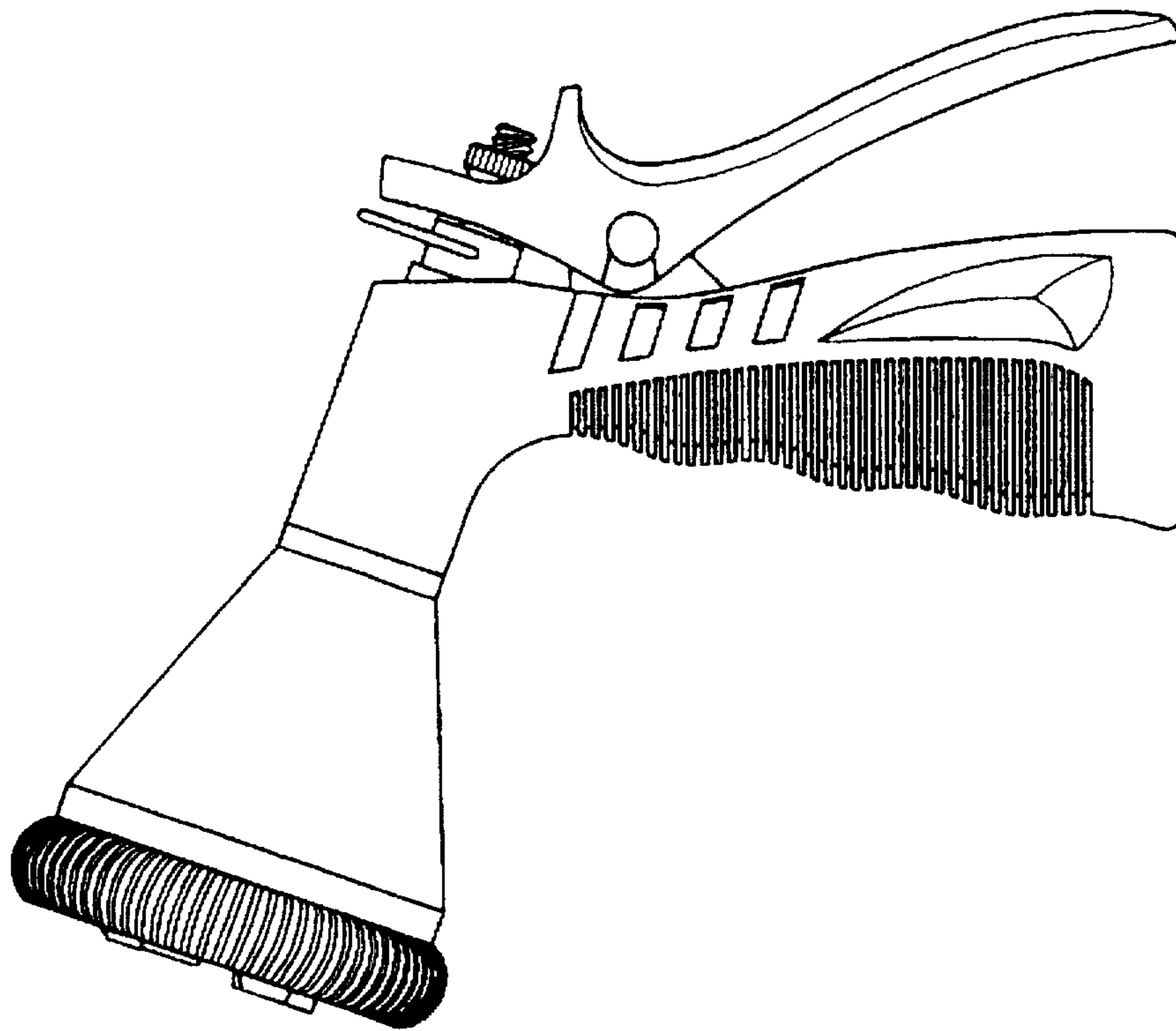


FIG 1

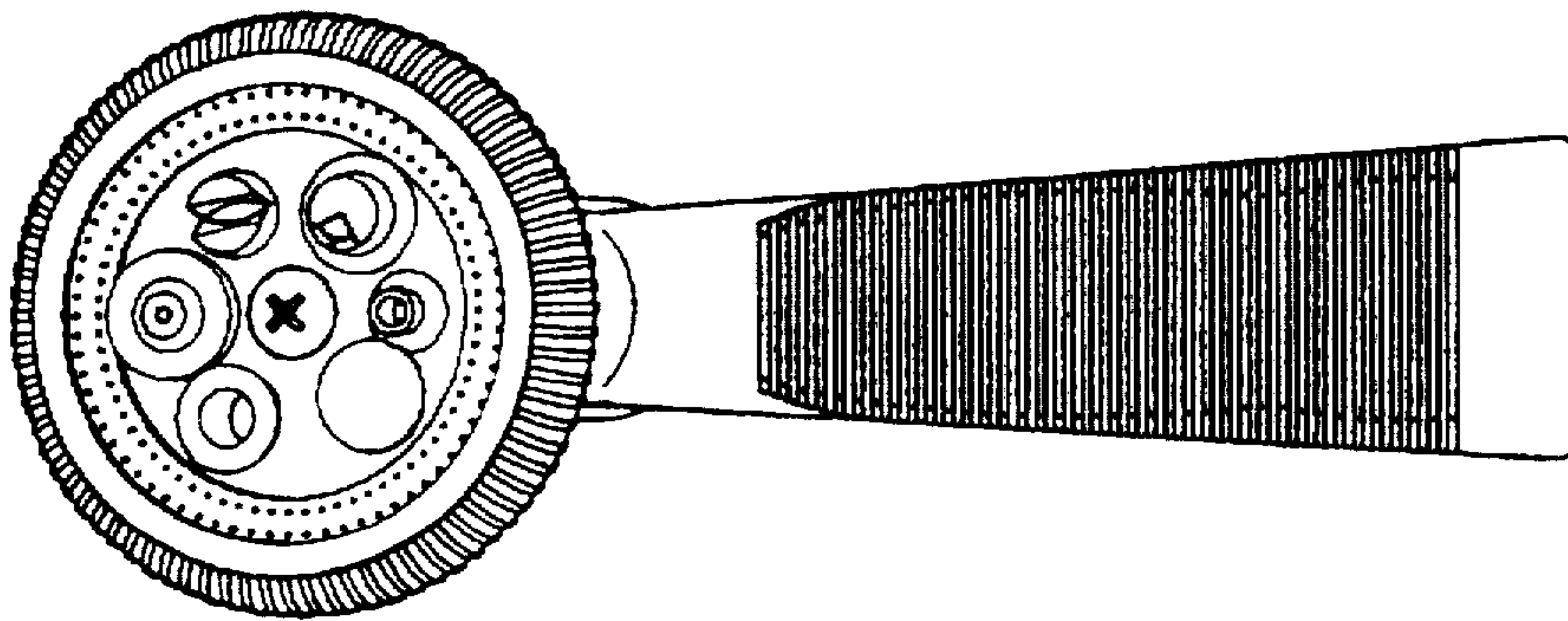


FIG 3

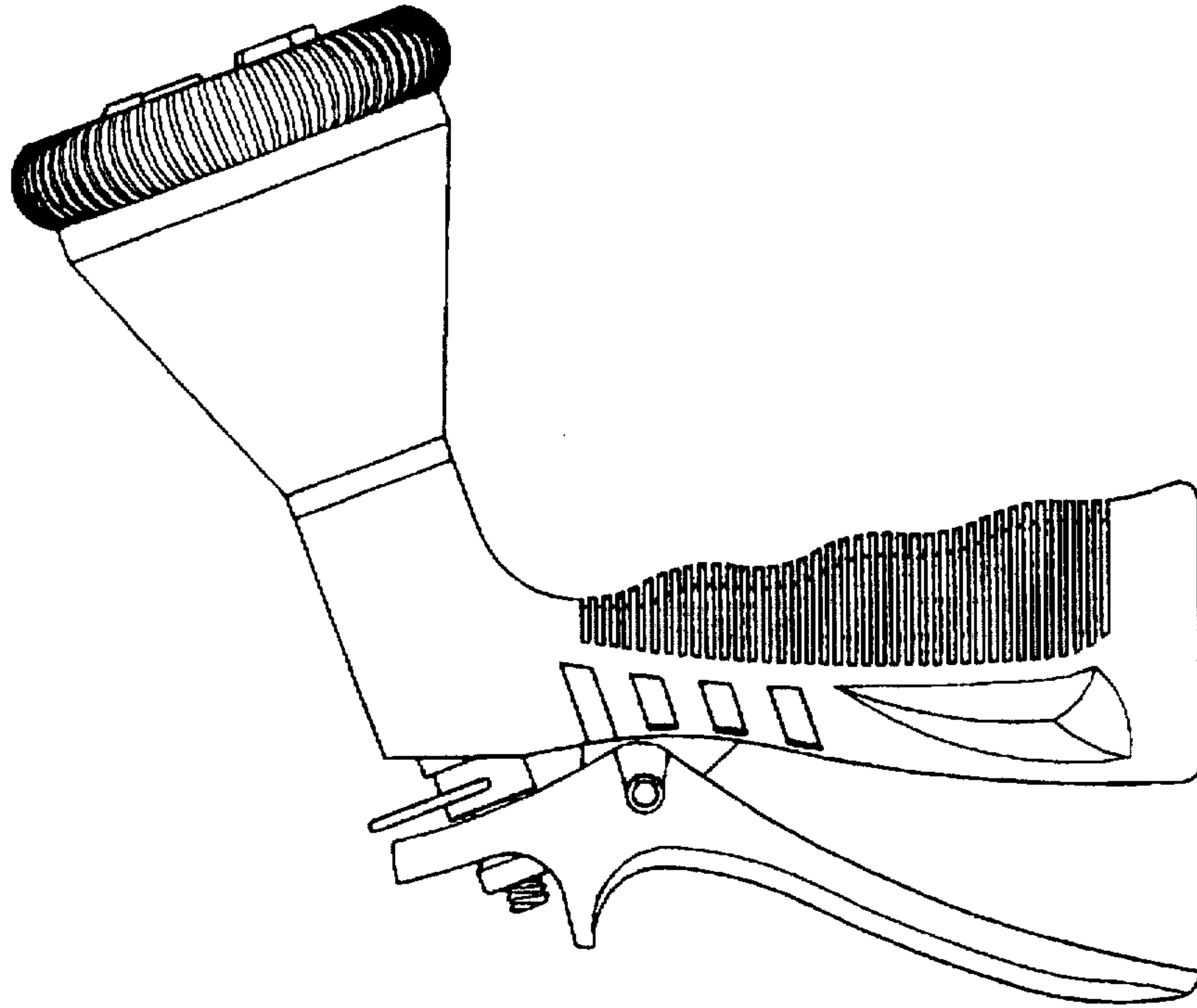


FIG 2

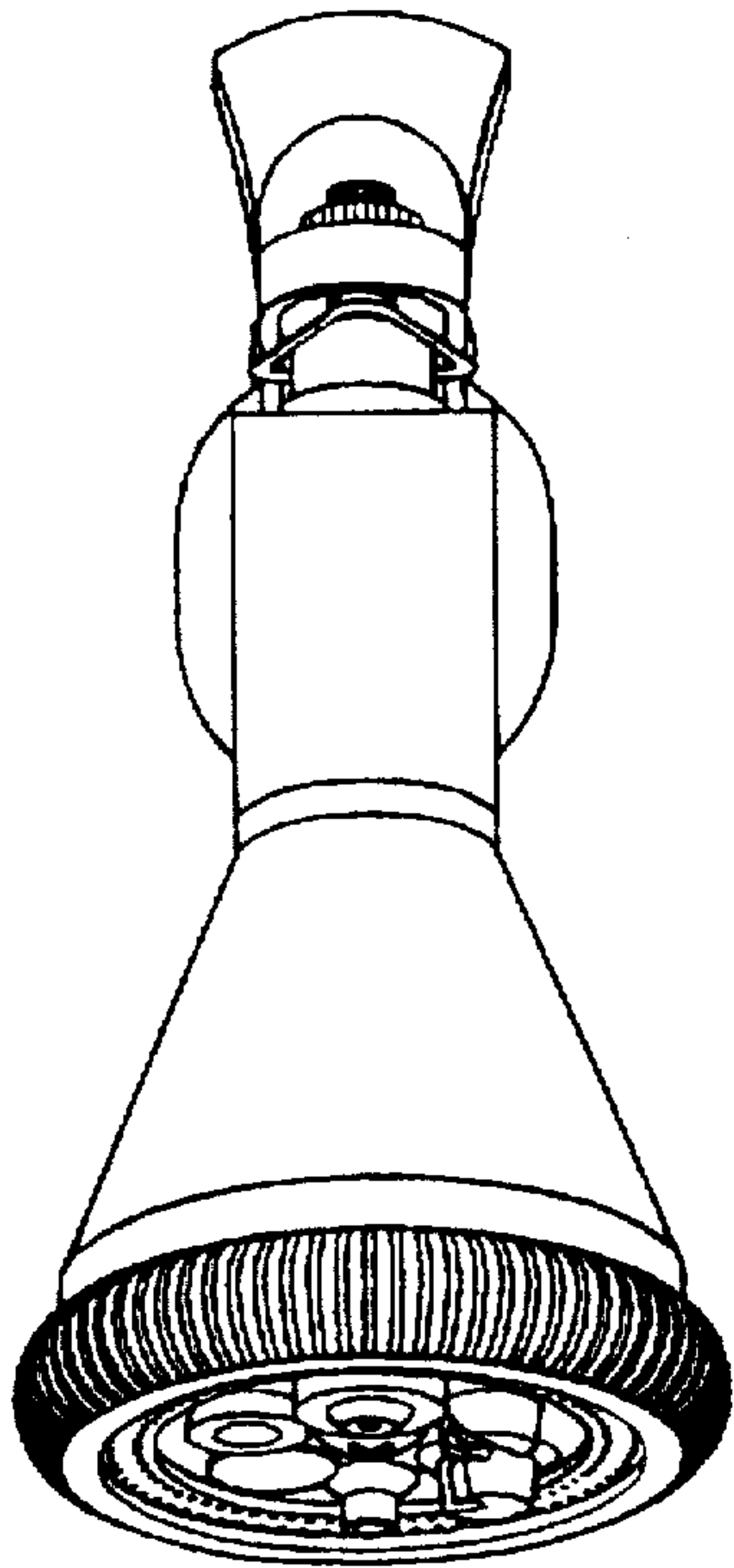


FIG 5

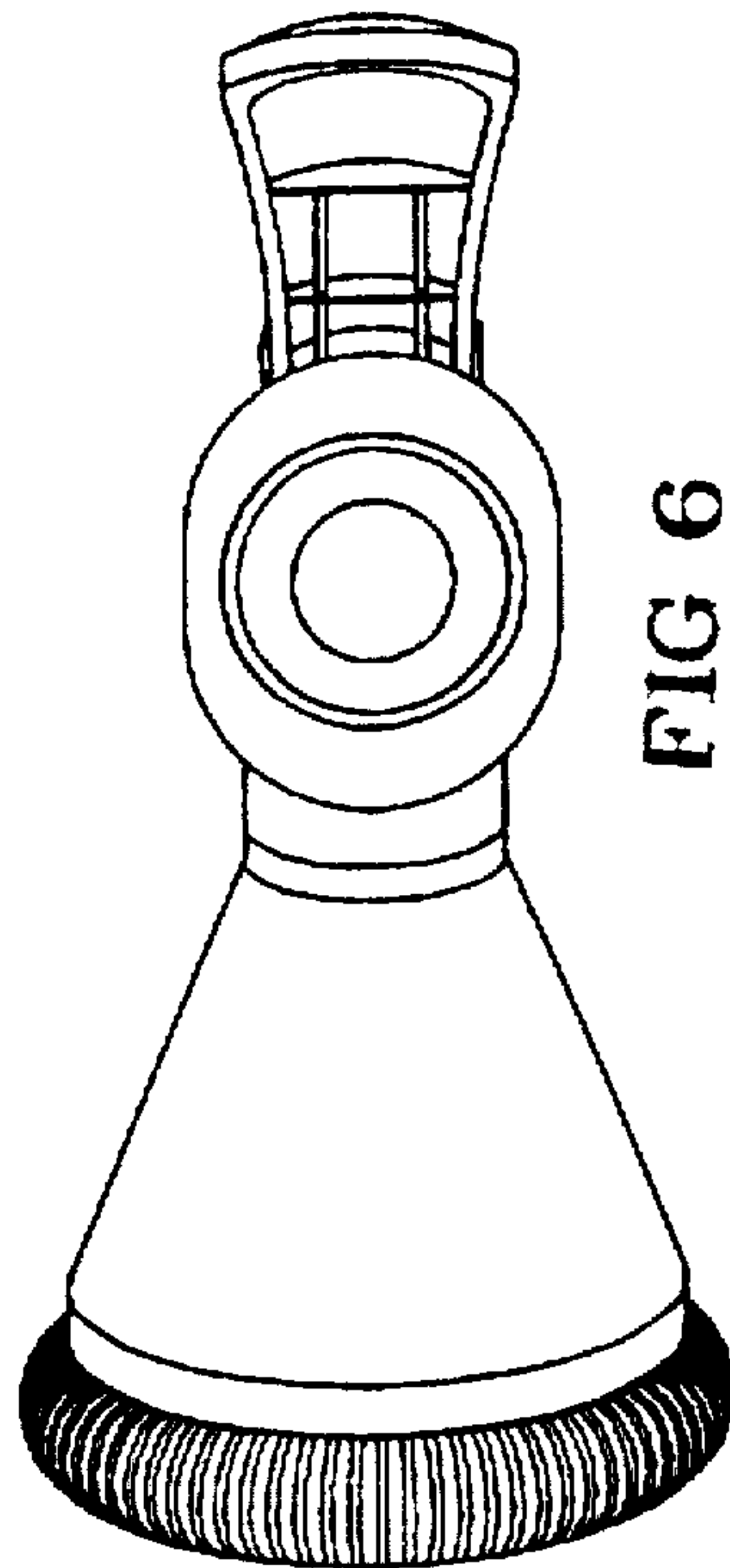


FIG 6

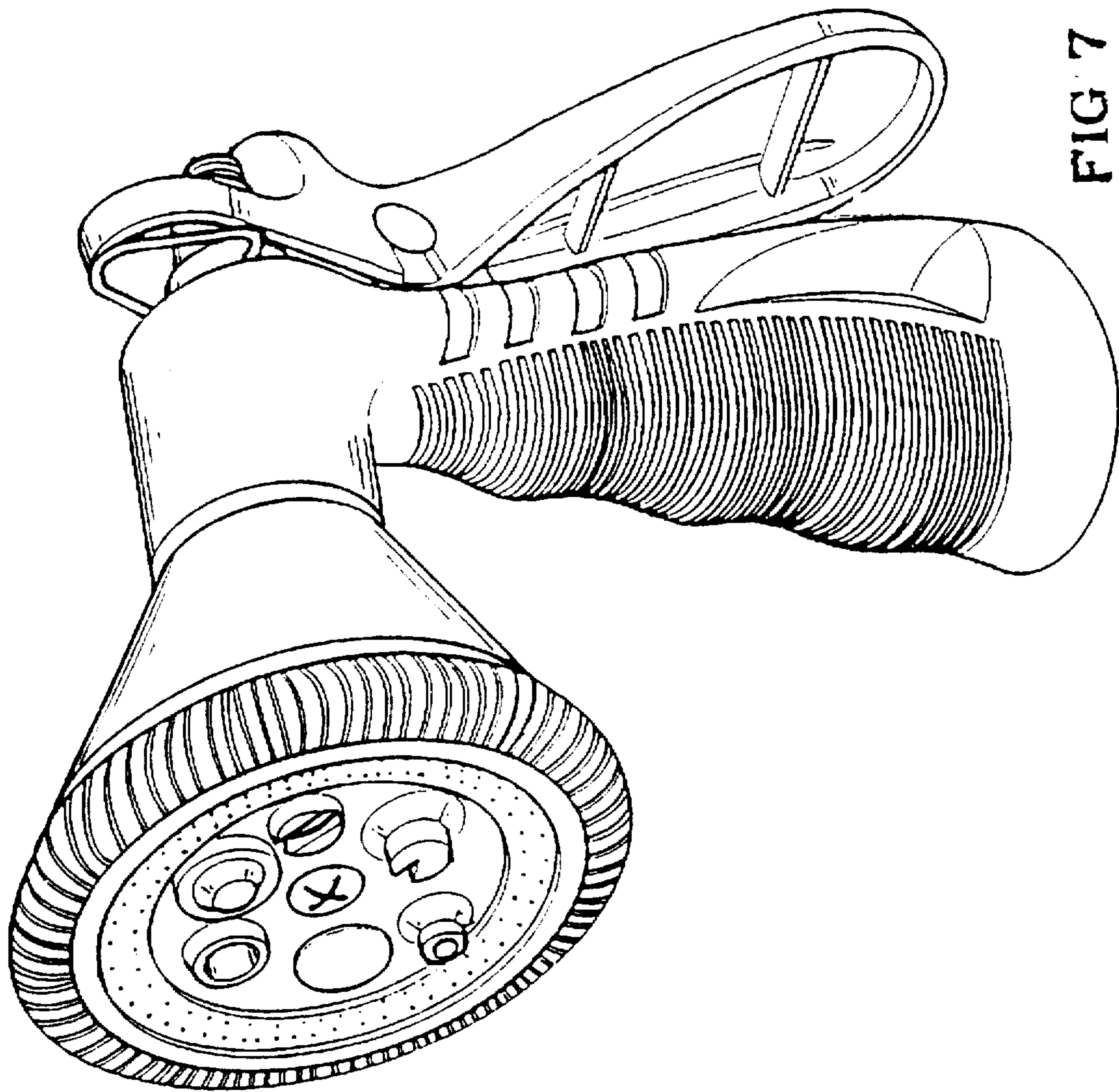


FIG 7